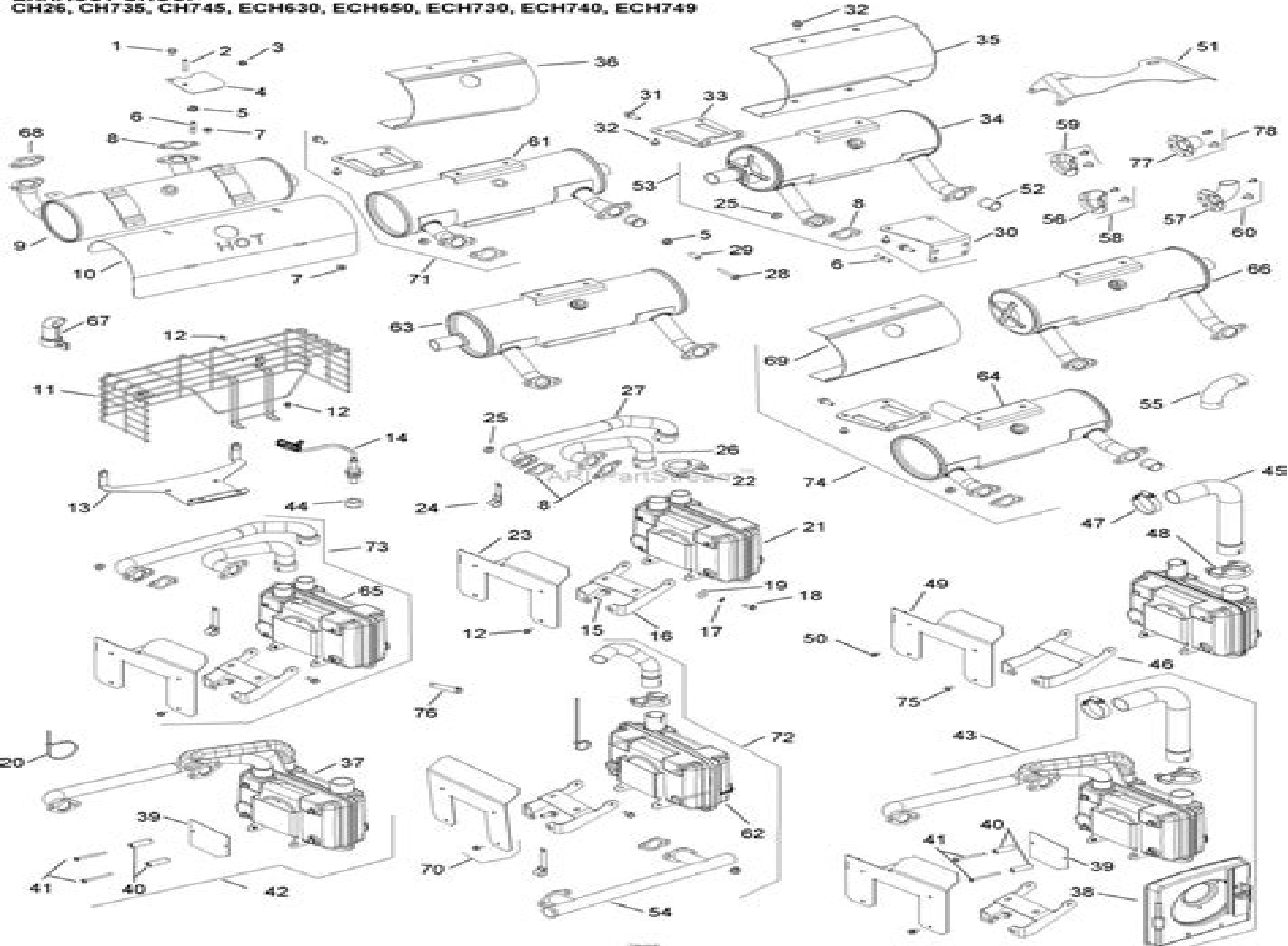


**EXHAUST GROUP
CH26, CH735, CH745, ECH630, ECH650, ECH730, ECH740, ECH749**



ILLUSTRATIONS ARE REPRESENTATIVE AND ARE NOT INTENDED TO SHOW ALL DETAILS FOR EACH COMPONENT

Parts Manual Vermeer 504is

IM Harris



Parts Manual Vermeer 504is:

Eventually, you will enormously discover a additional experience and finishing by spending more cash. still when? get you consent that you require to get those all needs later having significantly cash? Why dont you attempt to get something basic in the beginning? Thats something that will guide you to comprehend even more with reference to the globe, experience, some places, subsequently history, amusement, and a lot more?

It is your agreed own period to act out reviewing habit. in the middle of guides you could enjoy now is **Parts Manual Vermeer 504is** below.

https://correiodobrasil.blogosfero.cc/results/scholarship/Download_PDFS/no_how_coaching_no_how_coaching.pdf

Table of Contents Parts Manual Vermeer 504is

1. Understanding the eBook Parts Manual Vermeer 504is
 - The Rise of Digital Reading Parts Manual Vermeer 504is
 - Advantages of eBooks Over Traditional Books
2. Identifying Parts Manual Vermeer 504is
 - Exploring Different Genres
 - Considering Fiction vs. Non-Fiction
 - Determining Your Reading Goals
3. Choosing the Right eBook Platform
 - Popular eBook Platforms
 - Features to Look for in an Parts Manual Vermeer 504is
 - User-Friendly Interface
4. Exploring eBook Recommendations from Parts Manual Vermeer 504is
 - Personalized Recommendations
 - Parts Manual Vermeer 504is User Reviews and Ratings
 - Parts Manual Vermeer 504is and Bestseller Lists
5. Accessing Parts Manual Vermeer 504is Free and Paid eBooks

- Parts Manual Vermeer 504is Public Domain eBooks
 - Parts Manual Vermeer 504is eBook Subscription Services
 - Parts Manual Vermeer 504is Budget-Friendly Options
6. Navigating Parts Manual Vermeer 504is eBook Formats
 - ePub, PDF, MOBI, and More
 - Parts Manual Vermeer 504is Compatibility with Devices
 - Parts Manual Vermeer 504is Enhanced eBook Features
 7. Enhancing Your Reading Experience
 - Adjustable Fonts and Text Sizes of Parts Manual Vermeer 504is
 - Highlighting and Note-Taking Parts Manual Vermeer 504is
 - Interactive Elements Parts Manual Vermeer 504is
 8. Staying Engaged with Parts Manual Vermeer 504is
 - Joining Online Reading Communities
 - Participating in Virtual Book Clubs
 - Following Authors and Publishers Parts Manual Vermeer 504is
 9. Balancing eBooks and Physical Books Parts Manual Vermeer 504is
 - Benefits of a Digital Library
 - Creating a Diverse Reading Collection Parts Manual Vermeer 504is
 10. Overcoming Reading Challenges
 - Dealing with Digital Eye Strain
 - Minimizing Distractions
 - Managing Screen Time
 11. Cultivating a Reading Routine Parts Manual Vermeer 504is
 - Setting Reading Goals Parts Manual Vermeer 504is
 - Carving Out Dedicated Reading Time
 12. Sourcing Reliable Information of Parts Manual Vermeer 504is
 - Fact-Checking eBook Content of Parts Manual Vermeer 504is
 - Distinguishing Credible Sources
 13. Promoting Lifelong Learning
 - Utilizing eBooks for Skill Development

- Exploring Educational eBooks
14. Embracing eBook Trends
- Integration of Multimedia Elements
 - Interactive and Gamified eBooks

Parts Manual Vermeer 504is Introduction

In the digital age, access to information has become easier than ever before. The ability to download Parts Manual Vermeer 504is has revolutionized the way we consume written content. Whether you are a student looking for course material, an avid reader searching for your next favorite book, or a professional seeking research papers, the option to download Parts Manual Vermeer 504is has opened up a world of possibilities. Downloading Parts Manual Vermeer 504is provides numerous advantages over physical copies of books and documents. Firstly, it is incredibly convenient. Gone are the days of carrying around heavy textbooks or bulky folders filled with papers. With the click of a button, you can gain immediate access to valuable resources on any device. This convenience allows for efficient studying, researching, and reading on the go. Moreover, the cost-effective nature of downloading Parts Manual Vermeer 504is has democratized knowledge. Traditional books and academic journals can be expensive, making it difficult for individuals with limited financial resources to access information. By offering free PDF downloads, publishers and authors are enabling a wider audience to benefit from their work. This inclusivity promotes equal opportunities for learning and personal growth. There are numerous websites and platforms where individuals can download Parts Manual Vermeer 504is. These websites range from academic databases offering research papers and journals to online libraries with an expansive collection of books from various genres. Many authors and publishers also upload their work to specific websites, granting readers access to their content without any charge. These platforms not only provide access to existing literature but also serve as an excellent platform for undiscovered authors to share their work with the world. However, it is essential to be cautious while downloading Parts Manual Vermeer 504is. Some websites may offer pirated or illegally obtained copies of copyrighted material. Engaging in such activities not only violates copyright laws but also undermines the efforts of authors, publishers, and researchers. To ensure ethical downloading, it is advisable to utilize reputable websites that prioritize the legal distribution of content. When downloading Parts Manual Vermeer 504is, users should also consider the potential security risks associated with online platforms. Malicious actors may exploit vulnerabilities in unprotected websites to distribute malware or steal personal information. To protect themselves, individuals should ensure their devices have reliable antivirus software installed and validate the legitimacy of the websites they are downloading from. In conclusion, the ability to download Parts Manual Vermeer 504is has transformed the way we access information. With the convenience, cost-effectiveness, and accessibility it

offers, free PDF downloads have become a popular choice for students, researchers, and book lovers worldwide. However, it is crucial to engage in ethical downloading practices and prioritize personal security when utilizing online platforms. By doing so, individuals can make the most of the vast array of free PDF resources available and embark on a journey of continuous learning and intellectual growth.

FAQs About Parts Manual Vermeer 504is Books

1. Where can I buy Parts Manual Vermeer 504is books? Bookstores: Physical bookstores like Barnes & Noble, Waterstones, and independent local stores. Online Retailers: Amazon, Book Depository, and various online bookstores offer a wide range of books in physical and digital formats.
2. What are the different book formats available? Hardcover: Sturdy and durable, usually more expensive. Paperback: Cheaper, lighter, and more portable than hardcovers. E-books: Digital books available for e-readers like Kindle or software like Apple Books, Kindle, and Google Play Books.
3. How do I choose a Parts Manual Vermeer 504is book to read? Genres: Consider the genre you enjoy (fiction, non-fiction, mystery, sci-fi, etc.). Recommendations: Ask friends, join book clubs, or explore online reviews and recommendations. Author: If you like a particular author, you might enjoy more of their work.
4. How do I take care of Parts Manual Vermeer 504is books? Storage: Keep them away from direct sunlight and in a dry environment. Handling: Avoid folding pages, use bookmarks, and handle them with clean hands. Cleaning: Gently dust the covers and pages occasionally.
5. Can I borrow books without buying them? Public Libraries: Local libraries offer a wide range of books for borrowing. Book Swaps: Community book exchanges or online platforms where people exchange books.
6. How can I track my reading progress or manage my book collection? Book Tracking Apps: Goodreads, LibraryThing, and Book Catalogue are popular apps for tracking your reading progress and managing book collections. Spreadsheets: You can create your own spreadsheet to track books read, ratings, and other details.
7. What are Parts Manual Vermeer 504is audiobooks, and where can I find them? Audiobooks: Audio recordings of books, perfect for listening while commuting or multitasking. Platforms: Audible, LibriVox, and Google Play Books offer a wide selection of audiobooks.
8. How do I support authors or the book industry? Buy Books: Purchase books from authors or independent bookstores. Reviews: Leave reviews on platforms like Goodreads or Amazon. Promotion: Share your favorite books on social media

or recommend them to friends.

9. Are there book clubs or reading communities I can join? Local Clubs: Check for local book clubs in libraries or community centers. Online Communities: Platforms like Goodreads have virtual book clubs and discussion groups.
10. Can I read Parts Manual Vermeer 504is books for free? Public Domain Books: Many classic books are available for free as they're in the public domain. Free E-books: Some websites offer free e-books legally, like Project Gutenberg or Open Library.

Find Parts Manual Vermeer 504is :

no how coaching no how coaching

no nonsense guide to the arms trade no nonsense guides

[njbct practice questions](#)

[nlp practitioner training trainer manual steve andreas](#)

[no more bull no more bull](#)

~~noch sieben schuss dann schluss ebook~~

~~no longer strangers the practice of radical hospitality~~

nissan titan a60 series complete workshop repair manual 2014

nissan wingroad user guide free download

nissan urvan user manual

nocti web design study guide

nmfc classification manual

nissan sentra 1998 service workshop repair manual

[nithyashree hd picture](#)

nissan xterra 2011 factory service repair manual

Parts Manual Vermeer 504is :

[annandale defeats dassel cokato football in mshsl class 3a - Feb 28 2022](#)

web nov 19 2023 minneapolis the annandale cardinals 13 0 defeated the dassel cokato chargers 10 2 24 14 in the mshsl class 3a football semifinals on saturday at u s bank stadium annandale took a 13 0 early in the second quarter quarterback nick walter hit receiver thomas westman for an 80 yard touchdown for the first touchdown

[classroom after school model semy oecd donate pfi org](#) - Apr 13 2023

web classroom after school model semy 2 downloaded from donate pfi org on 2020 10 22 by guest written by teachers well experienced in addressing the needs of this young and vulnerable group this book will come as a boon to new teachers presented with a multilingual classroom for the first

after school activities enrichment for kids singapore little steps - Nov 08 2022

web school is in full swing and kiddos are still raring to go with so much energy to expend throughout the day let alone the holidays let little steps ease your planning woes with our guide to the top after school activities and enrichment classes available islandwide for your little bubs and also teens be it art dance language learning music sports or just

check out our after school art classes class artz academy - Jul 04 2022

web class artz academy operates in 11 different schools within sydney s eastern suburbs all classes are run after school within the school grounds following the end of the school day children are to assemble at the designated spot at school have their attendance recorded by the teacher eat their snack during a 30 minute supervised play

[classroom after school model semy pdf](#) - Sep 18 2023

web classroom after school model semy being gifted in school sep 23 2021 in this fully revised and expanded second edition being gifted in school an introduction to development guidance and teaching reviews the past developments within the field of gifted education and identifies the current trends issues and beliefs in the field

jonathan lewis 8 juveniles facing murder charges in death of 17 - May 02 2022

web nov 15 2023 eight juveniles are facing murder charges in the senseless beating death of a 17 year old las vegas high school student that was caught on video police say jonathan lewis died after being

camelot after school club after school programme east coast - May 14 2023

web this after school service fulfill the needs of families who require supervision and homework guidance for their primary school children our tutors are experienced and well versed with the syllabuses they help to reinforce your child s learning and prepare them for their school assessments we also plan recreational activities for your child

[afterskool learning centre facebook](#) - Jun 03 2022

web afterskool learning centre singapore 672 likes afterskool is a moe registered tuition centre providing exceptional tuition for students taking the

classroom after school model semy 2023 tpc redmatters - Aug 17 2023

web classroom after school model semy semi annual report of the superintendent of public schools of the city of boston semi detached the american bookseller the impact of high stakes examinations on classroom teaching classes apart semi annual conference of the church of jesus christ of latter day saints american physical education review

classroom after school model semy pdf uniport edu - Aug 05 2022

web discover the proclamation classroom after school model semy that you are looking for it will completely squander the time however below taking into consideration you visit this web page it will be consequently enormously simple to acquire as competently as download lead classroom after school model semy

classroom after school model semy orientation sutd edu sg - Jul 16 2023

web classroom after school model semy enhancing education formal vs informal education april 30th 2018 formal vs informal education formal education is classroom based provided by trained teachers informal education happens outside the classroom in after school programs community based organizations museums libraries or at home

classroom after school model semy copy - Oct 19 2023

web classroom after school model semy teaching the digital generation sep 16 2020 the authors show how traditional industrial type high schools have failed to meet students learning needs and explore ten alternative high school models that address 21st century skills safe schools act hearing before the

classroom after school model semy - Sep 06 2022

web classroom after school model semy as recognized adventure as well as experience roughly lesson amusement as without difficulty as union can be gotten by just checking out a books classroom after school model semy also it is not directly done you could acknowledge even more nearly this life nearly the world

pennsylvania high school football scores november 17 2023 - Apr 01 2022

web 2 days ago redbank valley 26 port allegany 7 south side 28 clairton 12 south williamsport 57 muncy 20 steelton highspire 21 northern bedford 7 class 2a third round

classroom after school model semy 2022 dotnbm - Dec 09 2022

web classroom after school model semy practicing research spiritual experiences in early childhood education hearings extending the k 12 art classroom into the after school art club thinking diversity building cohesion decolonising english studies from the semi periphery resources in education students teachers and leaders addressing bullying

classroom after school model semy orientation sutd edu sg - Jun 15 2023

web classroom after school model semy classroom after school model semy a resource guide for planning and operating afterschool before and after school program kaitlin pearson who shares semi nude images online wins 6677 best classroom bulletin board ideas images on teacher 28 had sex with student 16 in classroom formal non

classroom after school model semy book - Feb 11 2023

web classroom after school model semy 2 downloaded from home schoolnutritionandfitness com on 2023 01 24 by guest complicates systemic solutions by activating the isms and phobias that plague us all the bold collective behind this book calls

us to get over our own stuff and double down on our efforts to create safe and
classroom after school model semy old syndeohro - Jan 10 2023

web classroom after school model semy teachers personal epistemologies thinking diversity building cohesion feminist
foundations a semi definitive list of worst nightmares mastering the semi structured interview and beyond reviews of national
policies for education education for a bright future in greece semi annual report of the

afterskool learning centre o and a level ib and igsce - Oct 07 2022

web i would highly recommend afterskool and michelle s class because if it can help me when i felt that my a math school
teacher had given up on me during the o levels i don t see why it can t help you to get your as y5 charlotte chia 2020 a2 for
2019 o level a maths

read free classroom after school model semy - Mar 12 2023

web alternative school feeding models and analyses the overarching themes trends and challenges which run across these
programmes this sourcebook supports learning and knowledge exchange among countries looking to strengthen and scale up
national school feeding programmes the evidence presented here sheds

a headache in the pelvis the wise anderson protocol for - Jun 21 2022

web oct 27 2014 in the first edition of a headache in the pelvis this protocol was called the wise anderson protocol as the
protocol became more widely disseminated those on

a headache in the pelvis the wise anderson protocol fo - May 01 2023

web may 18 2001 the top selling book about pelvic pain offering the gold standard nondrug nonsurgical wise anderson
protocol for treating chronic pelvic pain a headache in

wise anderson protocol pelvic pain help - Feb 15 2022

web a headache in the pelvis the wise anderson protocol for healing customer reviews by read more 12 people found this
helpful sign in to filter reviews 461 total ratings 200

amazon com customer reviews a headache in the pelvis the - Jan 17 2022

web jun 3 2023 the top selling book about pelvic pain offering the gold standard nondrug nonsurgical wise anderson
protocol for treating chronic pelvic pain a headache in

a headache in the pelvis the wise anderson protocol for - Oct 26 2022

web may 22 2018 booktopia has headache in the pelvis the wise anderson protocol for healing pelvic pain the definitive
edition by david wise buy a discounted paperback

a headache in the pelvis the wise anderson protocol for - Aug 04 2023

web a headache in the pelvis the wise anderson protocol for healing pelvic pain the definitive edition wise ph d david

anderson m d rodney amazon sg books

clinic details and schedule wise anderson protocol pelvic - Apr 19 2022

web the national center for pelvic pain research ncppr is a center devoted to research and treatment of pelvic pain syndromes in men and women using the wise anderson

the history of the wise anderson protocol pelvic pain help - May 21 2022

web a more comprehensive explanation of the treatment is described in our book a headache in the pelvis perhaps the greatest suffering for patients with pelvic pain is the sense of

from a headache in the pelvis penguin random house canada - Dec 28 2022

web based on the gold standard nondrug nonsurgical wise anderson protocol for treating chronic pelvic pain a headache in the pelvis is the definitive resource for anyone

a headache in the pelvis the wise anderson protoc - Sep 05 2023

web a headache in the pelvis sep 04 2022 this landmark treatment for men and women who suffer from pelvic pain and urinary dysfunction was developed at stanford university

a headache in the pelvis the wise anderson protocol - Oct 06 2023

web may 22 2018 based on the gold standard nondrug nonsurgical wise anderson protocol for treating chronic pelvic pain a headache in the pelvis is the definitive resource for anyone suffering from pelvic pain pelvic pain afflicts millions of men and women and

pdf download a headache in the pelvis the wise anderson - Dec 16 2021

a headache in the pelvis google books - Jan 29 2023

web the top selling book about pelvic pain offering the gold standard nondrug nonsurgical wise anderson protocol for treating chronic pelvic pain a headache in the pelvis

a headache in the pelvis by david wise ph d overdrive - Jul 23 2022

web a headache in the pelvis the wise anderson protocol for healing pelvic pain the definitive edition on amazon com free shipping on qualifying offers a headache in

a headache in the pelvis by david wise ebook ebooks com - Aug 24 2022

web jun 19 2018 based on the gold standard nondrug nonsurgical wise anderson protocol for treating chronic pelvic pain a headache in the pelvis is the definitive resource for

headache in the pelvis the wise anderson protocol for healing - Sep 24 2022

web based on the gold standard nondrug nonsurgical wise anderson protocol for treating chronic pelvic pain a headache in

the pelvis is the definitive resource for anyone

a headache in the pelvis the wise anderson protoc pdf - Feb 27 2023

web this groundbreaking book describes the wise anderson protocol for muscle related pelvic pain in men and women a new and revolutionary treatment developed at

a headache in the pelvis by david wise ph d rodney - Jul 03 2023

web based on the gold standard nondrug nonsurgical wise anderson protocol for treating chronic pelvic pain a headache in the pelvis is the definitive resource for anyone

a headache in the pelvis the wise anderson protocol - Mar 31 2023

web this book provides step by step instructions in the wise anderson protocol for the treatment of muscle based pelvic pain it includes instruction in paradoxical relaxation in

wise anderson protocol youtube - Mar 19 2022

web the wise anderson protocol can significantly symptoms of chronic pelvic pain syndrome in a majority of those who practice it by robert

a headache in the pelvis the wise anderson protocol for - Nov 26 2022

web the top selling book about pelvic pain offering the gold standard nondrug nonsurgical wise anderson protocol for treating chronic pelvic pain a headache in the pelvis

a headache in the pelvis the wise anderson protocol for - Jun 02 2023

web 7 rows may 22 2018 based on the gold standard nondrug nonsurgical wise anderson protocol for treating chronic *recetas fáciles y saludables para poder cocinar en familia* - Mar 22 2022

web mar 25 2020 experimentar tocar y probar diferentes alimentos puede ayudar a los más pequeños a descubrir nuevas texturas colores y gustos así que aquí van unas recetas fáciles y saludables para que podáis cocinar en familia durante estos días

ideas de cenas para toda la familia platos saludables fáciles y - Jul 06 2023

web aquí tienes ideas de cenas para toda la familia sanas fáciles y que gustarán a todos pescado rebozado con habas o guisantes el pescado rebozado suele encantar a los más pequeños

50 cenas saludables y ricas para toda la semana - Oct 09 2023

web 7 recetas de hamburguesas saludables para la cena las hamburguesas caseras se pueden preparar con multitud de ingredientes además de la carne picada dando como resultado una cena saludable y rica que gustará a todos los miembros de la familia

cocinar en familia de forma saludable generali - Aug 27 2022

web cuando empieza a anochecer antes y las noches son más largas prueba con la repostería una actividad de interior divertida de la que puede disfrutar toda la familia además podrás comer algo delicioso al terminar pero en lugar de cocinar tartas azucaradas por qué no probar unas recetas de repostería nuevas y saludables desde los mejores

beneficios de cocinar en familia libbys - May 24 2022

web beneficios de cocinar en familia pasar una jornada divertida en familia descubrir nuevos sabores aumento de la autoestima apreciar el valor del esfuerzo hábitos de alimentación saludable hábitos de reciclaje comer en familia seguridad en la cocina cocina en familia por edades los beneficios de cocinar en familia

40 cenas sanas y saludables para toda la familia diez minutos - May 04 2023

web esta col rizada arrasa entre los amantes de la cocina sana por varios motivos es una gran fuente de ácido fólico fibra y vitamina k se puede preparar de muchas formas pero una sopa con chips de kale te permitirá disfrutar de todo

41 recetas saludables y rápidas para alegrar las comidas o cenas - Sep 27 2022

web jun 12 2020 os proponemos más de 40 recetas saludables y rápidas para alegrar las comidas o cenas de toda la familia recetas con verduras frittata de espinacas champiñones y queso manchego

descarga ahora y cocina en familia unicef Perú - Feb 01 2023

web llegó la hora de la diversión la hora de comer sano más de 100 recetas saludables para toda la familia suscríbete y descarga ahora el sabor de crecer sano

20 cenas fáciles y rápidas para toda la familia hola com - Aug 07 2023

web may 24 2021 en estas recetas encontrarás platos elaborados con técnicas saludables llenos de sabor y con todos sus nutrientes aves y carnes con pocas grasas con los que preparar recetas bajas

el sabor de crecer sano más de 100 recetas para preparar en familia - Apr 03 2023

web dec 15 2021 acercarse a los alimentos y transformarlos ayuda a fomentar una mejor alimentación de los niños las niñas y los adolescentes de nuestra región cuando ellos prueben las recetas compartidas por los generosos chefs que participaron en este libro y sepan que sus manos son capaces de convertir productos vivos en preparaciones

tv news channel youtube - Nov 17 2021

web like and subscribe channel

ponle sabor a tu día con esta pasta con salsa poblana - Apr 22 2022

web 1 day ago el chef rafa prepara una deliciosa pasta con salsa poblana y pollo que deleitará a tu familia y les aportará toda la energía necesaria para este día nov 8 2023 read more up next

el sabor de crecer sano unicef - Nov 29 2022

web en este libro incluimos recetas creadas por 19 grandes chefs de américa latina en las que apostamos por estrechar el

vínculo familiar al permitir que se reúnan en la cocina tanto padres como cuidadores niños niñas y adolescentes al mismo tiempo para preparar comidas en familia con alimentos frescos y locales

cómo cocinar más sano en casa go red for women - Dec 31 2022

web los siguientes consejos son los diez mejores para iniciarse en la cocina saludable en casa inspírese en libros de cocina programas de cocina y blogs saludables y pruebe nuevas recetas que sorprenderán a su familia elija carnes y proteínas más sanas como pollo pescado y frijoles

sahurdan İftara mutfak vlog youtube - Feb 18 2022

web sessizvlog düzen silentvlog soframarım beğenirsiniz iyi seyirler Instagram hesabım instagram com mervlogg bana ulaşın mervlogg gmail

el sabor del crecer sano unicef - Sep 08 2023

web este libro fue pensado para que estas recetas sean preparadas en ocasiones especiales por los niños niñas y adolescentes de hoy que quieren divertirse y crear en la cocina de su casa y para que además cocinar se convierta en un motivo de goce y

cocina saludable en familia recetas plant based fáciles y - Jun 24 2022

web jun 26 2023 cocina saludable en familia recetas plant based fáciles y deliciosas recetas veganas rápidas los boniatos asados los garbanzos y el arroz integral hacen que este bol sea sustancioso y saciante

cocina sana en familia youtube - Jun 05 2023

web pollo al curry fácil y rápido de hacer 89k views1 year ago como preparar sÁndwich de aguacate fácil y delicioso 7k views1 year ago como preparar quesada de frijoles con arepas facil y deliciosa

recetas saludables y ricas directo al paladar - Oct 29 2022

web noticias de recetas saludables en directo al paladar las mejores recetas para bajar de peso o mantener una dieta saludable recetas ricas caseras fáciles de preparar y que de ayudarán a

a llenar juntos la cocina de ricos sabores y olores unicef - Mar 02 2023

web preparar alimentos junto con la familia es la mejor forma de desarrollar el gusto por la cocina y la alimentación saludable con este material los invitamos a cocinar juntos a darles espacio a los niños para que puedan participar en la planificación y la preparación de las comidas involucrar a los niños desde pequeños en la cocina los

5 razones para cocinar en familia saberespoder - Jul 26 2022

web may 26 2023 por eso cuando un ser humano desde corta edad conoce las texturas los sabores y los aromas de muchos tipos de alimentos es más propenso a elegir comidas más saludables al cocinar en familia no verán la comida como un castigo o una recompensa sino como su propia elección 2 desarrolla habilidades autosuficientes

İstanbul bölgesindeki en İyi 10 sağlıklı yemek restoranı - Dec 19 2021

web İstanbul İçindeki en İyi güveçler İstanbul İçindeki en İyi İspanyol pılavı İstanbul İçindeki en İyi tikka masala İstanbul İçindeki en İyi ceviche İstanbul İçindeki en İyi balıklı sandviç İstanbul İçindeki en İyi erişte İstanbul İçindeki en İyi chili acılı kıymalı meksika fasulyesi İstanbul İçindeki

en sağlıklı dünya mutfakları sağlık haberleri hürriyet - Jan 20 2022

web oct 12 2015 farklı tatlar denemek farklı mutfaklara yolculuk yapmak ve bunları yaparken sağlığınıza fayda sağlamak için ziyaret edebileceğiniz 5 mutfak