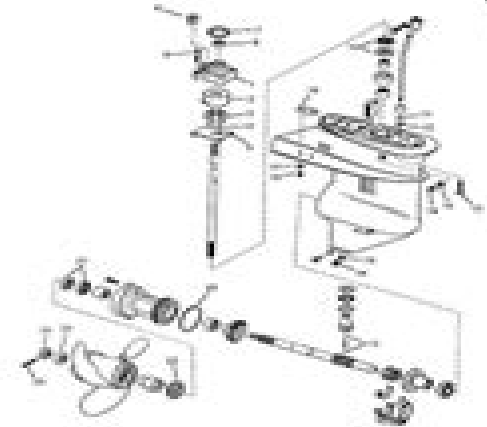




COMPACT
disc
DATA STORAGE



Microsoft
Windows
Windows 7, Windows 8,
Vista, XP Compatible
Windows 10



MERCURY MERCRUISER MARINE ENGINES
GM V8 305 CID (5.0L) / 350 CID (5.7L)
1998 - 2001
SERVICE MANUAL

PROFESSIONAL / COMMERCIAL EDITION



Mercury Mercruiser 1998 2001 V 8 305 350 Cid Repair Manual

Kathleen Armour



Mercury Mercruiser 1998 2001 V 8 305 350 Cid Repair Manual:

If you ally infatuation such a referred **Mercury Mercruiser 1998 2001 V 8 305 350 Cid Repair Manual** book that will offer you worth, get the utterly best seller from us currently from several preferred authors. If you desire to funny books, lots of novels, tale, jokes, and more fictions collections are moreover launched, from best seller to one of the most current released.

You may not be perplexed to enjoy all books collections Mercury Mercruiser 1998 2001 V 8 305 350 Cid Repair Manual that we will completely offer. It is not more or less the costs. Its about what you infatuation currently. This Mercury Mercruiser 1998 2001 V 8 305 350 Cid Repair Manual, as one of the most in action sellers here will enormously be in the course of the best options to review.

<https://correiodobrasil.blogosfero.cc/public/Resources/index.jsp/Mustang%202050%20Skid%20Steer%20Operating%20Manual.pdf>

Table of Contents Mercury Mercruiser 1998 2001 V 8 305 350 Cid Repair Manual

1. Understanding the eBook Mercury Mercruiser 1998 2001 V 8 305 350 Cid Repair Manual
 - The Rise of Digital Reading Mercury Mercruiser 1998 2001 V 8 305 350 Cid Repair Manual
 - Advantages of eBooks Over Traditional Books
2. Identifying Mercury Mercruiser 1998 2001 V 8 305 350 Cid Repair Manual
 - Exploring Different Genres
 - Considering Fiction vs. Non-Fiction
 - Determining Your Reading Goals
3. Choosing the Right eBook Platform
 - Popular eBook Platforms
 - Features to Look for in an Mercury Mercruiser 1998 2001 V 8 305 350 Cid Repair Manual
 - User-Friendly Interface
4. Exploring eBook Recommendations from Mercury Mercruiser 1998 2001 V 8 305 350 Cid Repair Manual
 - Personalized Recommendations

- Mercury Mercruiser 1998 2001 V 8 305 350 Cid Repair Manual User Reviews and Ratings
- Mercury Mercruiser 1998 2001 V 8 305 350 Cid Repair Manual and Bestseller Lists
- 5. Accessing Mercury Mercruiser 1998 2001 V 8 305 350 Cid Repair Manual Free and Paid eBooks
 - Mercury Mercruiser 1998 2001 V 8 305 350 Cid Repair Manual Public Domain eBooks
 - Mercury Mercruiser 1998 2001 V 8 305 350 Cid Repair Manual eBook Subscription Services
 - Mercury Mercruiser 1998 2001 V 8 305 350 Cid Repair Manual Budget-Friendly Options
- 6. Navigating Mercury Mercruiser 1998 2001 V 8 305 350 Cid Repair Manual eBook Formats
 - ePub, PDF, MOBI, and More
 - Mercury Mercruiser 1998 2001 V 8 305 350 Cid Repair Manual Compatibility with Devices
 - Mercury Mercruiser 1998 2001 V 8 305 350 Cid Repair Manual Enhanced eBook Features
- 7. Enhancing Your Reading Experience
 - Adjustable Fonts and Text Sizes of Mercury Mercruiser 1998 2001 V 8 305 350 Cid Repair Manual
 - Highlighting and Note-Taking Mercury Mercruiser 1998 2001 V 8 305 350 Cid Repair Manual
 - Interactive Elements Mercury Mercruiser 1998 2001 V 8 305 350 Cid Repair Manual
- 8. Staying Engaged with Mercury Mercruiser 1998 2001 V 8 305 350 Cid Repair Manual
 - Joining Online Reading Communities
 - Participating in Virtual Book Clubs
 - Following Authors and Publishers Mercury Mercruiser 1998 2001 V 8 305 350 Cid Repair Manual
- 9. Balancing eBooks and Physical Books Mercury Mercruiser 1998 2001 V 8 305 350 Cid Repair Manual
 - Benefits of a Digital Library
 - Creating a Diverse Reading Collection Mercury Mercruiser 1998 2001 V 8 305 350 Cid Repair Manual
- 10. Overcoming Reading Challenges
 - Dealing with Digital Eye Strain
 - Minimizing Distractions
 - Managing Screen Time
- 11. Cultivating a Reading Routine Mercury Mercruiser 1998 2001 V 8 305 350 Cid Repair Manual
 - Setting Reading Goals Mercury Mercruiser 1998 2001 V 8 305 350 Cid Repair Manual
 - Carving Out Dedicated Reading Time
- 12. Sourcing Reliable Information of Mercury Mercruiser 1998 2001 V 8 305 350 Cid Repair Manual
 - Fact-Checking eBook Content of Mercury Mercruiser 1998 2001 V 8 305 350 Cid Repair Manual

- Distinguishing Credible Sources
- 13. Promoting Lifelong Learning
 - Utilizing eBooks for Skill Development
 - Exploring Educational eBooks
- 14. Embracing eBook Trends
 - Integration of Multimedia Elements
 - Interactive and Gamified eBooks

Mercury Mercruiser 1998 2001 V 8 305 350 Cid Repair Manual Introduction

In today's digital age, the availability of Mercury Mercruiser 1998 2001 V 8 305 350 Cid Repair Manual books and manuals for download has revolutionized the way we access information. Gone are the days of physically flipping through pages and carrying heavy textbooks or manuals. With just a few clicks, we can now access a wealth of knowledge from the comfort of our own homes or on the go. This article will explore the advantages of Mercury Mercruiser 1998 2001 V 8 305 350 Cid Repair Manual books and manuals for download, along with some popular platforms that offer these resources. One of the significant advantages of Mercury Mercruiser 1998 2001 V 8 305 350 Cid Repair Manual books and manuals for download is the cost-saving aspect. Traditional books and manuals can be costly, especially if you need to purchase several of them for educational or professional purposes. By accessing Mercury Mercruiser 1998 2001 V 8 305 350 Cid Repair Manual versions, you eliminate the need to spend money on physical copies. This not only saves you money but also reduces the environmental impact associated with book production and transportation. Furthermore, Mercury Mercruiser 1998 2001 V 8 305 350 Cid Repair Manual books and manuals for download are incredibly convenient. With just a computer or smartphone and an internet connection, you can access a vast library of resources on any subject imaginable. Whether you're a student looking for textbooks, a professional seeking industry-specific manuals, or someone interested in self-improvement, these digital resources provide an efficient and accessible means of acquiring knowledge. Moreover, PDF books and manuals offer a range of benefits compared to other digital formats. PDF files are designed to retain their formatting regardless of the device used to open them. This ensures that the content appears exactly as intended by the author, with no loss of formatting or missing graphics. Additionally, PDF files can be easily annotated, bookmarked, and searched for specific terms, making them highly practical for studying or referencing. When it comes to accessing Mercury Mercruiser 1998 2001 V 8 305 350 Cid Repair Manual books and manuals, several platforms offer an extensive collection of resources. One such platform is Project Gutenberg, a nonprofit organization that provides over 60,000 free eBooks. These books are primarily in the public domain, meaning they can be freely distributed and downloaded. Project Gutenberg offers a wide range of classic literature, making it

an excellent resource for literature enthusiasts. Another popular platform for Mercury Mercruiser 1998 2001 V 8 305 350 Cid Repair Manual books and manuals is Open Library. Open Library is an initiative of the Internet Archive, a non-profit organization dedicated to digitizing cultural artifacts and making them accessible to the public. Open Library hosts millions of books, including both public domain works and contemporary titles. It also allows users to borrow digital copies of certain books for a limited period, similar to a library lending system. Additionally, many universities and educational institutions have their own digital libraries that provide free access to PDF books and manuals. These libraries often offer academic texts, research papers, and technical manuals, making them invaluable resources for students and researchers. Some notable examples include MIT OpenCourseWare, which offers free access to course materials from the Massachusetts Institute of Technology, and the Digital Public Library of America, which provides a vast collection of digitized books and historical documents. In conclusion, Mercury Mercruiser 1998 2001 V 8 305 350 Cid Repair Manual books and manuals for download have transformed the way we access information. They provide a cost-effective and convenient means of acquiring knowledge, offering the ability to access a vast library of resources at our fingertips. With platforms like Project Gutenberg, Open Library, and various digital libraries offered by educational institutions, we have access to an ever-expanding collection of books and manuals. Whether for educational, professional, or personal purposes, these digital resources serve as valuable tools for continuous learning and self-improvement. So why not take advantage of the vast world of Mercury Mercruiser 1998 2001 V 8 305 350 Cid Repair Manual books and manuals for download and embark on your journey of knowledge?

FAQs About Mercury Mercruiser 1998 2001 V 8 305 350 Cid Repair Manual Books

How do I know which eBook platform is the best for me? Finding the best eBook platform depends on your reading preferences and device compatibility. Research different platforms, read user reviews, and explore their features before making a choice. Are free eBooks of good quality? Yes, many reputable platforms offer high-quality free eBooks, including classics and public domain works. However, make sure to verify the source to ensure the eBook credibility. Can I read eBooks without an eReader? Absolutely! Most eBook platforms offer web-based readers or mobile apps that allow you to read eBooks on your computer, tablet, or smartphone. How do I avoid digital eye strain while reading eBooks? To prevent digital eye strain, take regular breaks, adjust the font size and background color, and ensure proper lighting while reading eBooks. What the advantage of interactive eBooks? Interactive eBooks incorporate multimedia elements, quizzes, and activities, enhancing the reader engagement and providing a more immersive learning experience. Mercury Mercruiser 1998 2001 V 8 305 350 Cid Repair Manual is one of the best book in our library for free trial. We provide copy of Mercury Mercruiser 1998 2001 V 8 305 350 Cid Repair Manual in digital format, so the resources that you find are reliable. There are also many

Ebooks of related with Mercury Mercruiser 1998 2001 V 8 305 350 Cid Repair Manual. Where to download Mercury Mercruiser 1998 2001 V 8 305 350 Cid Repair Manual online for free? Are you looking for Mercury Mercruiser 1998 2001 V 8 305 350 Cid Repair Manual PDF? This is definitely going to save you time and cash in something you should think about.

Find Mercury Mercruiser 1998 2001 V 8 305 350 Cid Repair Manual :

mustang 2050 skid steer operating manual

mustang gt manual transmission

music in the romantic era

murray operator manual

mutants & masterminds masterminds manual 2nd edition

murachs android programming 2nd edition

multiple choice questions about physical education

municipal employee manual

[multinational enterprises markets and institutional diversity progress in international business research](#)

mustang 2005 owners manual

museum as process translating local and global knowledges museum meanings

mx5-na guide

multinational business finance solutions manual 7 edition

[murray lawn mowers owners manual](#)

my attainment of the pole

Mercury Mercruiser 1998 2001 V 8 305 350 Cid Repair Manual :

mountfield triple m manual prospectus camre ac - Jul 02 2022

web mountfield triple m manual 230 hours good condition and in good working order petrol kawasaki engine key start 42 inch 3 blade deck hydrostatic drive power sweeper large manual

mountfield triple m manual li456 42 members linode com - Jan 28 2022

web access free mountfield triple m manual mountfield triple m manual 034658084d3579bed8fa8c9d5aa3f763

astrophotography on the gomr skipgardeners chronicle

mountfield triple m manual bespoke cityam - Apr 30 2022

web mountfield triple m manual bespoke cityam com keywords about art union corporation electrical electronic and cybernetic brand name index willmar sideshooter 24 for sale tractorhouse com dmc farm equipment for sale tractorhouse com bcgs library catalogue 2015 british columbia 4 common small

[mountfield user manuals download manualslib](#) - Dec 27 2021

web view download of more than 340 mountfield pdf user manuals service manuals operating guides lawn mower lawn mower accessories user manuals operating guides specifications

mountfield m series manuals manualslib - May 12 2023

web manuals and user guides for mountfield m series we have 4 mountfield m series manuals available for free pdf download owner s manual instructions for use manual mountfield m series owner s manual 24 pages

mountfield support manuals usage instructions installation - Apr 11 2023

web download manuals browse and download the instruction manuals of our products in pdf format to search simply enter the product name or the sku of the product you own search

mountfield triple m manual pdf free tax clone ortax - Oct 05 2022

web title mountfield triple m manual pdf free tax clone ortax org created date 9 1 2023 2 23 40 am

mountfield triple m manual pdf copy support ortax - Mar 10 2023

web title mountfield triple m manual pdf copy support ortax org created date 9 4 2023 2 10 29 pm

[mountfield triple m manual pdf pdf webmail gestudy byu edu](#) - Nov 06 2022

web mountfield triple m manual pdf this is likewise one of the factors by obtaining the soft documents of this mountfield triple m manual pdf by online you might not require more get older to spend to go to the ebook establishment as well as search for them in some cases you likewise accomplish not discover the revelation mountfield triple m

[mountfield m series owner s manual pdf download manualslib](#) - Jun 13 2023

web view and download mountfield m series owner s manual online lawnmower with petrol engine m series lawn mower pdf manual download also for e531

mountfield m series owner s manual pdf download manualslib - Jul 14 2023

web view and download mountfield m series owner s manual online m series lawn mower pdf manual download also for e431 e481 e531

mountfield triple m manual survey3 knbs or ke - Feb 26 2022

web triple rrr draw touareg r name daz joyce from sowerby bridge winning ticket number 1981 drew date thu 24th june 2021 10 30 pmwatch live draw family cycling farm equipment for sale 258125 listings tractorhouse com 11 08 2022 transmission manual number of speeds 5 2 spd drive side left hand drive

[mountfield triple m manual book cyberlab sutd edu sg](#) - Sep 04 2022

web mountfield triple m manual ic electrician 3 2 sep 10 2021 submarine engineering administration jan 22 2020 signalman 3 2 jul 08 2021 aviation electronics technician 3 2 may 26 2020 manuals combined u s navy electronics technician volumes 01 08 feb 03 2021

mountfield triple m manual help environment harvard edu - Feb 09 2023

web mountfield triple m manual this is likewise one of the factors by obtaining the soft documents of this mountfield triple m manual by online you might not require more era to spend to go to the books inauguration as competently as search for them in some cases you likewise get not discover the message mountfield triple m manual that you are

free mountfield user manuals manualsonline com - Mar 30 2022

web mountfield by product types to locate your free mountfield manual choose a product type below showing product types 1 2 of 2

[mountfield triple m manual secure4 khronos](#) - Jun 01 2022

web this mountfield triple m manual as one of the predominant operating sellers here will wholly be associated with by the best options to review read the mountfield triple m manual join

mountfield triple m manual - Jan 08 2023

web 2 2 mountfield triple m manual 2021 02 23 remembering as well as an overview on human memory and an interesting excursus about biological memories and their organization to better understand how the best memory we have our

mountfield triple m manual pdf copy devy ortax - Dec 07 2022

web lawnmower manual brian radam 2014 05 01 if chosen correctly and properly maintained a high quality lawnmower should provide many years of trouble free service this extensively illustrated step by step practical manual provides the reader with advice on how to choose the best mower for their needs

mountfield triple m manual help environment harvard edu - Aug 15 2023

web mountfield triple m manual military requirements for petty officer 3 2 jan 20 2022 gunner s mate t 3 2 apr 10 2021 aviation boatswain s mate e 3 2 aug 03 2020 manuals combined u s navy electronics technician volumes 01 08 feb 06 2021 over 1 300 total pages 14086a electronics technician volume 1 safety and

[mountfield triple m manual 139 59 212 161](#) - Aug 03 2022

web title mountfield triple m manual author 139 59 212 161 2022 05 05t00 00 00 00 01 subject mountfield triple m manual keywords mountfield triple m manual

the skeleton tree cbc books - Apr 03 2023

web mar 16 2017 how iain lawrence grew his scary middle grade novel the skeleton tree less than 48 hours after twelve

year old chris casts off on a trip to sail down the alaskan coast with his uncle their boat

the skeleton tree e kitap iain lawrence pdf d r - Jul 06 2023

web bir iain lawrence eseri olan the skeleton tree e kitap olarak en cazip fiyat ile d r de keşfetmek için hemen tıklayınız

[the skeleton tree by iain lawrence 9780440421672 penguin](#) - May 04 2023

web about the skeleton tree a modern day adventure and classic in the making in the vein of the call of the wild hatchet and the cay by award winning author iain lawrence a junior library guild selection less than forty eight hours after twelve year old chris sets off on a sailing trip down the alaskan coast with his uncle their boat sinks

the skeleton tree by iain lawrence penguin random house canada - Dec 31 2022

web this stark and commercial survival story is a modern day hatchet less than 48 hours after twelve year old chris casts off on a trip to sail down the alaskan coast with his uncle their boat sinks the only survivors are chris and a boy

the skeleton tree iain lawrence - Feb 01 2023

web buy the book amazon apple books barnes noble indiebound indigo published by delacorte press usa tundra books release date 01 05 2016 pages 288 isbn13 978 0385733786 overview award winning author iain lawrence presents this modern day adventure and classic in the making in the vein of the call of the wild hatchet and the

how iain lawrence grew his scary middle grade novel the skeleton tree - Jun 05 2023

web sep 27 2017 the skeleton tree is a survival tale that tracks two boys who need to quickly learn how to survive in the wilderness when their boat sinks off the coast of alaska the skeleton tree is a

the trees of İstanbul ktb - Mar 22 2022

web olive tree this is a cultivated plant native to the asian side of İstanbul like the oak trees it is generally located along the marmara sea 12 lime tree this tree can be seen in the gardens and headwaters of İstanbul it is particularly located along the bosphorus water resources and recreation centres

[the skeleton tree complete book read aloud youtube](#) - Sep 27 2022

web sep 24 2023 the skeleton tree is a fast moving young adult survival tale set along the alaskan coast hang on to your seats as mr nick reads the story and use cc to rea

the skeleton tree by iain lawrence goodreads - Oct 09 2023

web jan 5 2016 1 562 ratings297 reviews less than 48 hours after twelve year old chris casts off on a trip to sail down the alaskan coast with his uncle their boat sinks the only survivors are chris and a boy named frank who hates chris immediately chris and frank have no radio no flares no food

the skeleton tree youtube - May 24 2022

web may 3 2018 the skeleton tree book trailer by peyton

the skeleton tree iain lawrence dragonfly an exploration of - Aug 27 2022

web sep 29 2017 the skeleton tree iain lawrence on september 29 2017 the skeleton tree is a survival tale that tracks two boys who need to quickly learn how to survive in the wilderness when their boat sinks off the coast of alaska the skeleton tree is a finalist for the 2017 td canadian children s literature award cbc books goodreads reviews

halfway between istanbul and the skeleton key chronicles - Feb 18 2022

web the skeleton key chronicles july 27 2021 halfway between istanbul and ankara in one of the most historic and beautiful parts of northwest turkey is a deep valley covered in dense pine forests and blessed with thermal springs

the skeleton tree iain lawrence google books - Mar 02 2023

web jan 5 2016 the skeleton tree iain lawrence random house children s books jan 5 2016 juvenile fiction 224 pages a modern day adventure and classic in the making in the vein of the call of the wild hatchet and the cay by award winning author iain lawrence a junior library guild selection

the skeleton tree lawrence iain 9780440421672 - Sep 08 2023

web dec 6 2016 the skeleton tree by author iain lawrence is one wild ride of an adventure story pitting the two young protagonists against the wild alaskan wilderness keeps the action and suspense racked up while allowing for

jacob tremblay c mon c mon s woody norman star in skeleton tree - Jul 26 2022

web may 11 2022 in the skeleton tree two boys lives are changed forever when they survive a boating accident and end up stranded on a remote alaskan shore through environmental calamities and unimaginable

the skeleton tree lawrence iain 1955 free download - Nov 29 2022

web collection printdisabled internetarchivebooks contributor internet archive language english 278 pages 22 cm chris and frank s sailing vessel sinks and they are stranded alone in the wilds of alaska they don t like each other at all but to survive they must build a

[skeleton tree ventrella kim 9781338042702 amazon.com](#) - Jun 24 2022

web sep 26 2017 skeleton tree is a powerful and tender story kim ventrella knows when to be playful and when to break your heart cassie beasley nyt bestselling author of circus mirandus like markus zusak s the book thief skeleton tree upends the myth of the grim reaper scary sad funny and always so so sweet skeleton tree will haunt me and

the skeleton tree imdb - Apr 22 2022

web imdb is the world s most popular and authoritative source for movie tv and celebrity content find ratings and reviews for the newest movie and tv shows get personalized recommendations and learn where to watch across hundreds of streaming providers

the skeleton tree lawrence iain 1955 author archive org - Oct 29 2022

web english 278 pages 22 cm chris and frank s sailing vessel sinks and they are stranded alone in the wilds of alaska they don t like each other at all but to survive they must build a relationship access restricted item

the skeleton tree kirkus reviews - Aug 07 2023

web jan 5 2016 they find boxes containing human skeletons suspended from a tree and stumble across an enormous brown bear thursday the raven chris befriends and names comforts him but frank becomes jealous of both boy and bird

livestream watch the 2023 las vegas opening ceremony - Sep 22 2021

roberto bolaño i cani romantici su minima moralia - Sep 03 2022

web choose a language this updates what you read on open spotify com

if i can love you so wikipedia - Jan 27 2022

web 2 days ago you can install macos sonoma on any of these mac models

i cani romantici testo spagnolo a fronte roberto bolaño libro - Nov 05 2022

web jun 15 2018 i cani romantici roberto bolaño i cani romantici trad ilide carmignani sur 2018 in chiamate telefoniche adelphi traduzione di barbara bertoni roberto

england vs malta live stream how can i watch euro 2024 - Aug 22 2021

donna cruz i can lyrics azlyrics com - Dec 26 2021

web sep 3 2022 sinopsis drama china if i can love you so if i can love you so menceritakan kisah seorang pianis terkenal bernama geng mo chi yang baru saja

donna cruz i can lyrics genius lyrics - Feb 25 2022

web i can dance i can fly and touch the rainbow in the sky i can be your good friend i can love you until the end what took you so long to make me see how lucky i am cause i am

i cani romantici 9788869981449 cultura - Oct 04 2022

web sur i cani romantici nelle poesie che compongono i cani romantici scritte in catalogna tra il 1980 e il 1998 convivono gli elementi narrativi che sur i cani

i cani romantici sur italian edition kindle edition amazon co uk - Apr 10 2023

web i cani romantici worldcat org items pages home sur 20 physical description 155 p 22 cm isbn 9788869981272 8869981274 oclc number unique identifier

sur i cani romantici ebook roberto bolano 9788869981449 - Aug 02 2022

web jun 30 2018 i cani romantici roberto bolaño sur traduzione di ilide carmignani il linguaggio poetico penetra il noto per

attraversarlo e raggiungere l infinito l indefinito il

i can love you song and lyrics by michari spotify - Jul 01 2022

web i cani romantici a quel tempo avevo venti anni ed ero pazzo avevo perduto un paese ma mi ero costruito un sogno e possedendo quel sogno tutto il resto non aveva

i cani romantici roberto bolaño sur 2018 brossura - Mar 09 2023

web i cani romantici roberto bolaño traduzione di ilide carmignani roma sur 2018 155 p 22 cm testo originale a fronte testo sur nuova serie 9788869981272

i cani romantici bolaño roberto sur 2018 italiano - Jan 07 2023

web i cani romantici testo spagnolo a fronte è un libro di roberto bolaño pubblicato da sur nella collana sur nuova serie acquista su ibs a 16 50

download solutions i cani romantici sur cyberlab suttu edu sg - Jul 13 2023

web jun 11 2018 cinque poesie di roberto bolaño da i cani romantici traduzione di ilide carmignani edizioni sur 2018 selezione a cura di dario bertini i cani romantici a

i cani romantici by roberto bolaño goodreads - Aug 14 2023

web jul 28 2022 i cani romantici sur 2018 trad it i carmignani la poesía entra en el sueño como un buzo en un lago la poesía más valiente que nadie entra y cae a plomo

i cani romantici worldcat org - Feb 08 2023

web jun 6 2018 nelle poesie che compongono i cani romantici scritte in catalogna tra il 1980 e il 1998 convivono gli elementi narrativi che qualche anno più tardi avrebbero

i cani romantici convenzionali - May 31 2022

web obtenez le livre i cani romantici de roberto bolaño au format epub sur e leclerc

bolano i cani romantici recensione le muse inquiete - Sep 15 2023

web i cani romantici sur witness and memory jun 15 2020 this is a collection within the anthropology of violence and witness studies a discipline inaugurated in the 1980s it

i cani romantici internopoesia com - Jun 12 2023

web i cani romantici sur italian edition ebook bolaño roberto carmignani ilide amazon co uk kindle store

i cani romantici nuovi argomenti - May 11 2023

web nelle poesie che compongono i cani romantici scritte in catalogna tra il 1980 e il 1998 convivono gli elementi narrativi che qualche anno più tardi avrebbero reso roberto

i cani romantici sur - Oct 16 2023

web nelle poesie che compongono i cani romantici scritte in catalogna tra il 1980 e il 1998 convivono gli elementi narrativi che qualche anno più tardi avrebbero reso roberto

i cani romantici ebook au format epub roberto bolaño - Mar 29 2022

web if i can love you so chinese 如果可以 is a 2019 chinese romance television series starring liu shishi tong dawei and bao jianfeng based on qianxun qianxun s

i cani romantici la dimora del tempo sospeso - Apr 29 2022

web i can reach the heavens above i can right what is wrong i can sing just any song i can dance i can fly and touch the rainbow in the sky i can be your good friend i can love

i cani romantici by roberto bolaño overdrive - Dec 06 2022

web i cani romantici aux éditions sur nelle poesie che compongono i cani romantici scritte in catalogna tra il 1980 e il 1998 convivono gli elementi narrativi che qualche anno più

sinopsis if i can love you so lengkap dengan pemerannya - Oct 24 2021

web nov 17 2023 the three lions have already secured qualification for next summer s tournament in germany heading into these final two group c matches against malta this

macos sonoma is compatible with these computers apple - Nov 24 2021

web 1 day ago the inaugural las vegas grand prix weekend is officially kicking off in the most eye catching of ways possible with an opening ceremony featuring a star studded line up