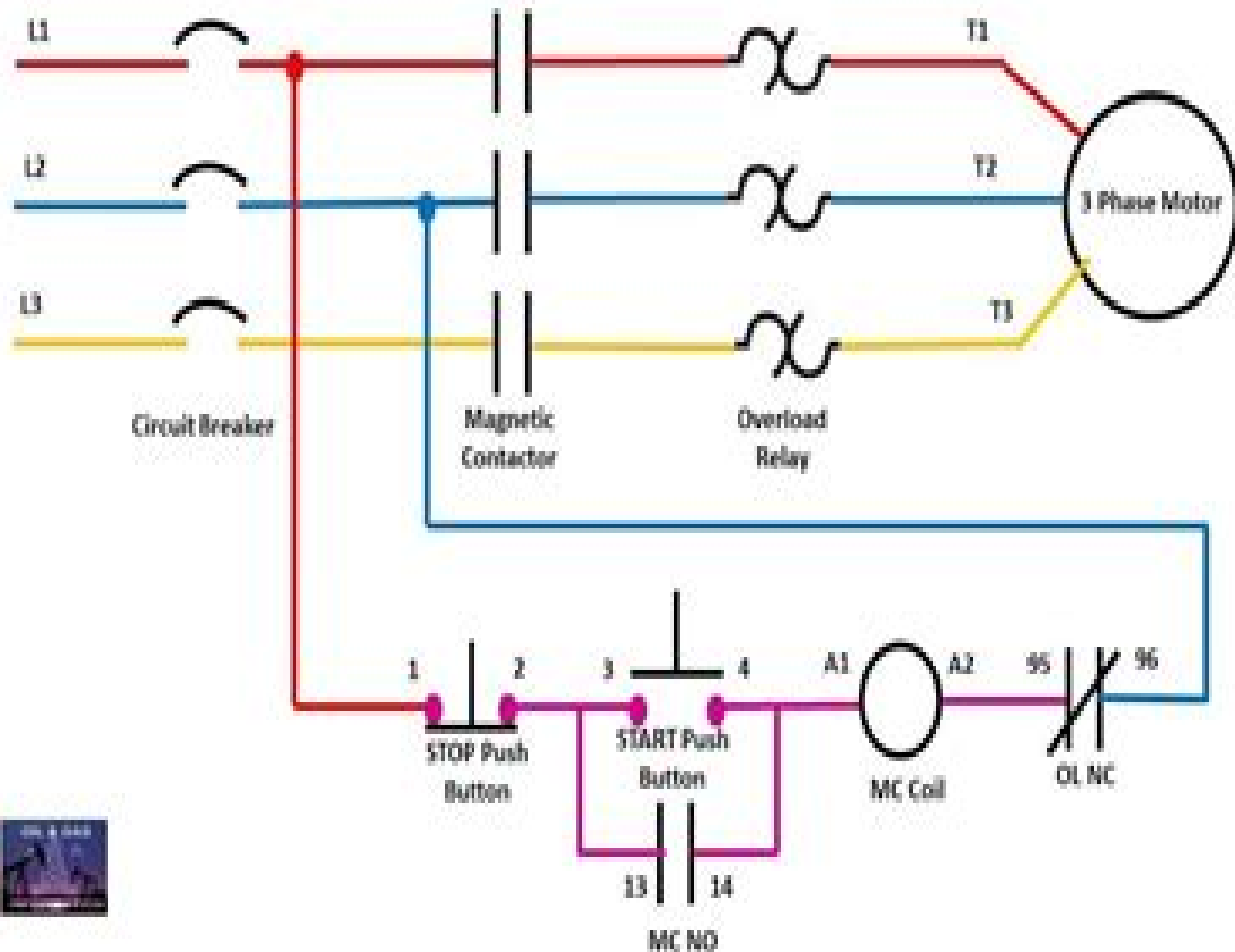


3 Phase Motor Control Circuit Diagram

Design By Saqib Khan | Oil and Gas Information



Motor Control Schematic Diagram

Zhicai Zhong



Motor Control Schematic Diagram:

Electric Motor Control Walter N. Alerich,1988-01 numerous control schematics and wiring diagrams are included to help those new to the world of motor control in understanding and interpreting the function of a control circuit different types of control circuits are introduced and illustrated providing readers with a complete understanding of how control components operate as well as their intended uses

Electric Motor Control Walter N. Alerich,Stephen L. Herman,1998 Provides clear explanations of motor control circuits the hardware that make up these circuits applications of motor control circuits in industry and troubleshooting motor controls

Essentials of Electric Motors and Controls Charles Trout,2010 Charles Trout longtime chairman of NEC Panel 12 and author of Electrical Installation and Inspection and the National Electrical Installation Standard on Electric Motors and Controls NECA has written a one of a kind summary of electric motor and control concepts This highly illustrated text will prove essential for in service electricians as well as assisting instructors with a textual overview for short courses on the topic

Electrical Power Systems Technology, Third Edition Dale R. Patrick,Stephen W. Fardo,2020-12-17 Covering the gamut of technologies and systems used in the generation of electrical power this reference provides an easy to understand overview of the production distribution control conversion and measurement of electrical power The content is presented in an easy to understand style so that readers can develop a basic comprehensive understanding of the many parts of complex electrical power systems The authors describe a broad array of essential characteristics of electrical power systems from power production to its conversion to another form of energy Each system is broken down into sub systems and equipment that are further explored in the chapters of each unit Simple mathematical presentations are used with practical applications to provide an easier understanding of basic power system operation Many illustrations are included to facilitate understanding This new third edition has been edited throughout to assure its content and illustration clarity and a new chapter covering control devices for power control has been added

Federal Register ,1996-02

Trainee's Guide for Electronics Technicians, Class C, AN/SRC-20, AN/SRC-21, Radio Sets United States. Bureau of Naval Personnel,1967

Unifying Electrical Engineering and Electronics Engineering Song Xing,Suting Chen,Zhanming Wei,Jingming Xia,2013-08-24 Unifying Electrical Engineering and Electronics Engineering is based on the Proceedings of the 2012 International Conference on Electrical and Electronics Engineering ICEE 2012 This book collects the peer reviewed papers presented at the conference The aim of the conference is to unify the two areas of Electrical and Electronics Engineering The book examines trends and techniques in the field as well as theories and applications The editors have chosen to include the following topics biotechnology power engineering superconductivity circuits antennas technology system architectures and telecommunication

Handbook of Electric Motors Hamid A. Toliyat,Gerald B. Kliman,2018-10-03 Presenting current issues in electric motor design installation application and performance this second edition serves as the most authoritative and reliable guide to electric motor

utilization and assessment in the commercial and industrial sectors Covering topics ranging from motor energy and efficiency to computer aided design and equipment selection this reference assists professionals in all aspects of electric motor maintenance repair and optimization It has been expanded by more than 40 percent to explore the most influential technologies in the field including electronic controls superconducting generators recent analytical tools new computing capabilities and special purpose motors [Technical Reports](#) United States. Air Force Personnel and Training Research Center,1958 [AFPTRC-TR.](#) ,1957 **2005 National Electrical Estimator** Edward J. Tyler,2004-11 If you need to estimate the cost of electrical systems in buildings this book will be your most reliable guide to selecting the right material figuring the labor time required for installation and totaling the installation cost and material price Ed Tyler was named National Estimator of the Year by the American Society of Professional Estimators His depth and breadth of knowledge make him one of the nation s foremost authorities on electrical estimating Book jacket **Fundamentals of Automotive Technology** CDX Automotive,2013 **Fundamentals of Automotive Technology Principles and Practice** covers crucial material for career and technical education secondary post secondary and community college students and provides both rationales and step by step instructions for virtually every non diagnosis NATEF task Each section provides a comprehensive overview of a key topic area with real life problem scenarios that encourage students to develop connections between different skill and knowledge components Customer service safety and math science and literary principles are demonstrated throughout the text to build student skill levels Chapters are linked via cross reference tools that support skill retention critical thinking and problem solving Students are regularly reminded that people skills are as important as technical skills in customer service fields [Bridge Inspector's Manual for Movable Bridges](#) United States. Federal Highway Administration,Earle Bridge Machinery Company of New Jersey,1977 [Controllers for Electric Motors](#) Henry Duvall James,1926 *GEMP.* ,1963 [Learn Electronics with Arduino](#) Don Wilcher,2012-11-27 Have you ever wondered how electronic gadgets are created Do you have an idea for a new proof of concept tech device or electronic toy but have no way of testing the feasibility of the device Have you accumulated a junk box of electronic parts and are now wondering what to build Learn Electronics with Arduino will answer these questions to discovering cool and innovative applications for new tech products using modification reuse and experimentation techniques You ll learn electronics concepts while building cool and practical devices and gadgets based on the Arduino an inexpensive and easy to program microcontroller board that is changing the way people think about home brew tech innovation Learn Electronics with Arduino uses the discovery method Instead of starting with terminology and abstract concepts You ll start by building prototypes with solderless breadboards basic components and scavenged electronic parts Have some old blinky toys and gadgets lying around Put them to work You ll discover that there is no mystery behind how to design and build your own circuits practical devices cool gadgets and electronic toys As you re on the road to becoming an electronics guru you ll build practical devices like a servo motor controller and a robotic arm You ll

also learn how to make fun gadgets like a sound effects generator a music box and an electronic singing bird

Proceedings of the International Conference on Information Engineering and Applications (IEA) 2012 Zhicai Zhong, 2013-02-12 Information engineering and applications is the field of study concerned with constructing information computing intelligent systems mathematical models numerical solution techniques and using computers and other electronic devices to analyze and solve natural scientific social scientific and engineering problems Information engineering is an important underpinning for techniques used in information and computational science and there are many unresolved problems worth studying The Proceedings of the 2nd International Conference on Information Engineering and Applications IEA 2012 which was held in Chongqing China from October 26 28 2012 discusses the most innovative research and developments including technical challenges and social legal political and economic issues A forum for engineers and scientists in academia industry and government the Proceedings of the 2nd International Conference on Information Engineering and Applications presents ideas results works in progress and experience in all aspects of information engineering and applications **Electric Railway Journal** ,1915 *Proceedings of International Conference on Artificial Intelligence and Communication Technologies (ICAICT 2023)* Roumen Kountchev, Srikanta Patnaik, Kazumi Nakamatsu, Roumiana Kountcheva, 2023-11-13 This book gathers selected papers presented at the International Conference on Artificial Intelligence and Communication Technologies ICAICT2023 held at Shenzhen China during June 2023 The first volume of the proceedings will focus on the newest methods and algorithms in smart wireless communications in the areas of Remote sensing and machine learning Intelligent image and data processing Health systems and security Intelligent teaching applications and many others **Operator's, Organizational Direct Support, General Support and Depot Maintenance Manual** ,1973

Thank you very much for reading **Motor Control Schematic Diagram**. As you may know, people have look numerous times for their chosen books like this Motor Control Schematic Diagram, but end up in harmful downloads. Rather than reading a good book with a cup of tea in the afternoon, instead they cope with some harmful bugs inside their computer.

Motor Control Schematic Diagram is available in our digital library an online access to it is set as public so you can download it instantly.

Our book servers saves in multiple countries, allowing you to get the most less latency time to download any of our books like this one.

Merely said, the Motor Control Schematic Diagram is universally compatible with any devices to read

https://correiodobrasil.blogosfero.cc/data/publication/index.jsp/pacing_guide_planning_arizona.pdf

Table of Contents Motor Control Schematic Diagram

1. Understanding the eBook Motor Control Schematic Diagram
 - The Rise of Digital Reading Motor Control Schematic Diagram
 - Advantages of eBooks Over Traditional Books
2. Identifying Motor Control Schematic Diagram
 - Exploring Different Genres
 - Considering Fiction vs. Non-Fiction
 - Determining Your Reading Goals
3. Choosing the Right eBook Platform
 - Popular eBook Platforms
 - Features to Look for in an Motor Control Schematic Diagram
 - User-Friendly Interface
4. Exploring eBook Recommendations from Motor Control Schematic Diagram
 - Personalized Recommendations

- Motor Control Schematic Diagram User Reviews and Ratings
- Motor Control Schematic Diagram and Bestseller Lists
- 5. Accessing Motor Control Schematic Diagram Free and Paid eBooks
 - Motor Control Schematic Diagram Public Domain eBooks
 - Motor Control Schematic Diagram eBook Subscription Services
 - Motor Control Schematic Diagram Budget-Friendly Options
- 6. Navigating Motor Control Schematic Diagram eBook Formats
 - ePub, PDF, MOBI, and More
 - Motor Control Schematic Diagram Compatibility with Devices
 - Motor Control Schematic Diagram Enhanced eBook Features
- 7. Enhancing Your Reading Experience
 - Adjustable Fonts and Text Sizes of Motor Control Schematic Diagram
 - Highlighting and Note-Taking Motor Control Schematic Diagram
 - Interactive Elements Motor Control Schematic Diagram
- 8. Staying Engaged with Motor Control Schematic Diagram
 - Joining Online Reading Communities
 - Participating in Virtual Book Clubs
 - Following Authors and Publishers Motor Control Schematic Diagram
- 9. Balancing eBooks and Physical Books Motor Control Schematic Diagram
 - Benefits of a Digital Library
 - Creating a Diverse Reading Collection Motor Control Schematic Diagram
- 10. Overcoming Reading Challenges
 - Dealing with Digital Eye Strain
 - Minimizing Distractions
 - Managing Screen Time
- 11. Cultivating a Reading Routine Motor Control Schematic Diagram
 - Setting Reading Goals Motor Control Schematic Diagram
 - Carving Out Dedicated Reading Time
- 12. Sourcing Reliable Information of Motor Control Schematic Diagram
 - Fact-Checking eBook Content of Motor Control Schematic Diagram

- Distinguishing Credible Sources
- 13. Promoting Lifelong Learning
 - Utilizing eBooks for Skill Development
 - Exploring Educational eBooks
- 14. Embracing eBook Trends
 - Integration of Multimedia Elements
 - Interactive and Gamified eBooks

Motor Control Schematic Diagram Introduction

In the digital age, access to information has become easier than ever before. The ability to download Motor Control Schematic Diagram has revolutionized the way we consume written content. Whether you are a student looking for course material, an avid reader searching for your next favorite book, or a professional seeking research papers, the option to download Motor Control Schematic Diagram has opened up a world of possibilities. Downloading Motor Control Schematic Diagram provides numerous advantages over physical copies of books and documents. Firstly, it is incredibly convenient. Gone are the days of carrying around heavy textbooks or bulky folders filled with papers. With the click of a button, you can gain immediate access to valuable resources on any device. This convenience allows for efficient studying, researching, and reading on the go. Moreover, the cost-effective nature of downloading Motor Control Schematic Diagram has democratized knowledge. Traditional books and academic journals can be expensive, making it difficult for individuals with limited financial resources to access information. By offering free PDF downloads, publishers and authors are enabling a wider audience to benefit from their work. This inclusivity promotes equal opportunities for learning and personal growth. There are numerous websites and platforms where individuals can download Motor Control Schematic Diagram. These websites range from academic databases offering research papers and journals to online libraries with an expansive collection of books from various genres. Many authors and publishers also upload their work to specific websites, granting readers access to their content without any charge. These platforms not only provide access to existing literature but also serve as an excellent platform for undiscovered authors to share their work with the world. However, it is essential to be cautious while downloading Motor Control Schematic Diagram. Some websites may offer pirated or illegally obtained copies of copyrighted material. Engaging in such activities not only violates copyright laws but also undermines the efforts of authors, publishers, and researchers. To ensure ethical downloading, it is advisable to utilize reputable websites that prioritize the legal distribution of content. When downloading Motor Control Schematic Diagram, users should also consider the potential security risks associated with online platforms. Malicious actors may exploit vulnerabilities in unprotected websites to

distribute malware or steal personal information. To protect themselves, individuals should ensure their devices have reliable antivirus software installed and validate the legitimacy of the websites they are downloading from. In conclusion, the ability to download Motor Control Schematic Diagram has transformed the way we access information. With the convenience, cost-effectiveness, and accessibility it offers, free PDF downloads have become a popular choice for students, researchers, and book lovers worldwide. However, it is crucial to engage in ethical downloading practices and prioritize personal security when utilizing online platforms. By doing so, individuals can make the most of the vast array of free PDF resources available and embark on a journey of continuous learning and intellectual growth.

FAQs About Motor Control Schematic Diagram Books

How do I know which eBook platform is the best for me? Finding the best eBook platform depends on your reading preferences and device compatibility. Research different platforms, read user reviews, and explore their features before making a choice. Are free eBooks of good quality? Yes, many reputable platforms offer high-quality free eBooks, including classics and public domain works. However, make sure to verify the source to ensure the eBook credibility. Can I read eBooks without an eReader? Absolutely! Most eBook platforms offer webbased readers or mobile apps that allow you to read eBooks on your computer, tablet, or smartphone. How do I avoid digital eye strain while reading eBooks? To prevent digital eye strain, take regular breaks, adjust the font size and background color, and ensure proper lighting while reading eBooks. What the advantage of interactive eBooks? Interactive eBooks incorporate multimedia elements, quizzes, and activities, enhancing the reader engagement and providing a more immersive learning experience. Motor Control Schematic Diagram is one of the best book in our library for free trial. We provide copy of Motor Control Schematic Diagram in digital format, so the resources that you find are reliable. There are also many Ebooks of related with Motor Control Schematic Diagram. Where to download Motor Control Schematic Diagram online for free? Are you looking for Motor Control Schematic Diagram PDF? This is definitely going to save you time and cash in something you should think about. If you trying to find then search around for online. Without a doubt there are numerous these available and many of them have the freedom. However without doubt you receive whatever you purchase. An alternate way to get ideas is always to check another Motor Control Schematic Diagram. This method for see exactly what may be included and adopt these ideas to your book. This site will almost certainly help you save time and effort, money and stress. If you are looking for free books then you really should consider finding to assist you try this. Several of Motor Control Schematic Diagram are for sale to free while some are payable. If you arent sure if the books you would like to download works with for usage along with your computer, it is possible to download free trials. The free guides make it easy for someone to free access online library for download books to your device. You can get free

download on free trial for lots of books categories. Our library is the biggest of these that have literally hundreds of thousands of different products categories represented. You will also see that there are specific sites catered to different product types or categories, brands or niches related with Motor Control Schematic Diagram. So depending on what exactly you are searching, you will be able to choose e books to suit your own need. Need to access completely for Campbell Biology Seventh Edition book? Access Ebook without any digging. And by having access to our ebook online or by storing it on your computer, you have convenient answers with Motor Control Schematic Diagram To get started finding Motor Control Schematic Diagram, you are right to find our website which has a comprehensive collection of books online. Our library is the biggest of these that have literally hundreds of thousands of different products represented. You will also see that there are specific sites catered to different categories or niches related with Motor Control Schematic Diagram So depending on what exactly you are searching, you will be able to choose ebook to suit your own need. Thank you for reading Motor Control Schematic Diagram. Maybe you have knowledge that, people have search numerous times for their favorite readings like this Motor Control Schematic Diagram, but end up in harmful downloads. Rather than reading a good book with a cup of coffee in the afternoon, instead they juggled with some harmful bugs inside their laptop. Motor Control Schematic Diagram is available in our book collection an online access to it is set as public so you can download it instantly. Our digital library spans in multiple locations, allowing you to get the most less latency time to download any of our books like this one. Merely said, Motor Control Schematic Diagram is universally compatible with any devices to read.

Find Motor Control Schematic Diagram :

acing guide planning arizona

oxford compact thesaurus third edition

pabo priest sabine baring gould

~~padi deep diver instructor guide doe~~

pacerc compact cnc manual free download

padi rescue diver exam version a

pacific crest trail oregon and washington v 2 wilderness press trail guide series

~~padi divemaster user manual~~

~~p185 air compressor parts manual~~

padi final exam answer key

owners manual peugeot 306 cab

~~pacify me publisher gallery original edition~~

owners manual samsung tv

~~owners manual vl250~~

owners manual vespa lx 125

Motor Control Schematic Diagram :

beyond the ancient door kindle edition by durham james a - Nov 03 2022

web jul 26 2012 paperback 17 49 32 used from 1 35 14 new from 16 59 1 collectible from 49 99 the purpose of this book is to encourage others to seek third heaven visits with the lord in the secret place of the most high there is strong scriptural authority for these visits

beyond the ancient door james a durham google books - Apr 08 2023

web matthew 6 6 james durham after serving almost 30 years as an active duty army chaplain james retired at the rank of colonel before and after his military service he was a pastor and church planter for more than thirteen years

beyond the ancient door by james a durham goodreads - Sep 13 2023

web jul 26 2012 beyond the ancient door james a durham 4 75 32 ratings3 reviews the purpose of this book is to encourage others to seek third heaven visits with the lord in the secret place of the most high there is strong scriptural authority for these visits

beyond the ancient door john durham john murray - Jun 29 2022

web a handbook for travellers in durham and northumberland with travelling map john murray firm 1873 100 days in heaven james a durham 2013 07 we are living under an open heaven and the lord has made it a two way path in one direction he is pouring out abundant blessings provisions and spiritual gifts to equip the saints in these last days

beyond the ancient door by james durham bible portal - May 09 2023

web beyond the ancient door by james durham the purpose of this book is to encourage others to seek third heaven visits with the lord in the secret place of the most high there is strong scriptural authority for these visits

beyond the ancient door john durham opendoors cityandguilds - Mar 27 2022

web possessed of a past a john banville reader the firstborn ancient light jackals the fall of the children of bronze beyond the horizon beyond the ancient door john durham downloaded from opendoors cityandguilds com by guest carlie schmidt behind the hedge charisma media this ebook features the unabridged text of memory hold the

beyond the ancient door by james a durham paperback - Feb 06 2023

web jul 30 2012 matthew 6 6 james durham after serving almost 30 years as an active duty army chaplain james retired at the rank of colonel before and after his military service he was a pastor and church planter for more than thirteen years

beyond the ancient door durham james a 9781622307739 - Oct 14 2023

web jul 27 2012 beyond the ancient door durham james a on amazon com free shipping on qualifying offers beyond the ancient door

beyond the ancient door by james a durham open library - Dec 04 2022

web mar 26 2023 beyond the ancient door by james a durham 2012 xulon press edition

beyond the ancient door john durham rhur impacthub net - Apr 27 2022

web beyond the ancient door john durham holyandhealingwells exploring the folklore history and national geographic magazine the stone angel a grade 12 advanced independent study veterans of the civil rights movement history the lost world of genesis one ancient cosmology and the sumer wikipedia history of france

beyond the ancient door john durham pivotid uvu - Sep 01 2022

web jonathan and leah wilson hartgrove decided to find out the author and his wife moved to the walltown neighborhood in durham north carolina where they have been answering the door to anyone who knocks when they began they had little idea what might happen but they counted on god to show up

beyond the ancient door james a durham 9781622307739 christianbook com - Jun 10 2023

web in stock the purpose of this book is to encourage others to seek third heaven visits with the lord in the secret place of the most high there is strong scriptural authority for these visits two representative verses are and god raised us with christ and seated us with him in the heavenly realms in christ jesus

james a durham author of beyond the ancient door goodreads - Mar 07 2023

web james a durham is the author of beyond the ancient door 4 75 avg rating 32 ratings 3 reviews published 2012 100 days in heaven 4 44 avg rating 1

beyondtheancientdoorjohndurham - Aug 12 2023

web completed by his close friend john durham peters provides a genealogy of the information age from its early origins up to the reign of google it examines how we think about fact image and knowledge centering on the different ways that claims of truth are complicated when they pass to a larger public

beyond the ancient door john durham - Feb 23 2022

web aug 20 2023 beyond the ancient door john durham john graves greaves of northamptonshire england amp abstracts of rockland county wills dutch door genealogy may 6th the lost world of genesis one ancient cosmology and the origins debate john h walton on amazon com free shipping on qualifying offers in this astute

beyond the ancient door john durham - Jan 05 2023

web beyond the ancient door john durham a new english dictionary on historical principles james augustus henry murray

1897 durham s hayti andre d vann 1999 durham is a progressive new south city one in which both the white and black populations have economically and culturally prospered over the past century durham s hayti opens a *beyond the ancient door* john durham 2022 ai classmonitor - Jul 31 2022

web beyond death s door digicat in freedom glorious freedom acclaimed author john j mcneill shows how lesbian and gay christians can achieve full spiritual maturity and self acceptance

beyond the ancient door paperback 27 july 2012 amazon co uk - Jul 11 2023

web jul 27 2012 buy beyond the ancient door by durham james a isbn 9781622307739 from amazon s book store everyday low prices and free delivery on eligible orders

beyond the ancient door john durham cyberlab sutd edu sg - May 29 2022

web beyond the ancient door john durham high stakes nov 17 2021 soon to be a show on hulu rights to develop wild cards for tv have been acquired by universal cable productions the team that brought you the magicians and mr robot with the co editor of wild cards melinda snodgrass as executive producer perfect for old fans and new

beyond the ancient door john durham 2023 vps huratips - Oct 02 2022

web beyond the ancient door john durham downloaded from vps huratips com by guest karter gardner surrey and sussex including tunbridge wells destiny image publishers

lerne mit deiner krankheit zu gehen 80 alternativ 2022 - Nov 28 2022

web in some cases you likewise get not discover the pronouncement lerne mit deiner krankheit zu gehen 80 alternativ that you are looking for it will certainly squander the time

kostenlos die türkische sprache lernen 7 möglichkeiten - Apr 21 2022

web jun 6 2018 7 kostenlose möglichkeiten um die türkische sprache schneller zu lernen aktualisiert 6 juni 2018 von thomas mooslechner ein paar nützliche tipps um die türkische sprache schneller und einfacher zu lernen sie sind alle kostenlos und nebenbei umsetzbar damit du sie leichter in deinen tagesrhythmus integrieren kannst

9783833492068 lerne mit deiner krankheit zu gehen 80 - Aug 06 2023

web lerne mit deiner krankheit zu gehen 80 alternative therapien und begleitende maßnahmen bei der multiplen sklerose finden sie alle bücher von lenk gabriele bei der büchersuchmaschine eurobuch de können sie antiquarische und neubücher vergleichen und sofort zum bestpreis bestellen 9783833492068

lerne mit deiner krankheit zu gehen 80 alternativ 2022 - May 03 2023

web gelassenheit lernen der weg zu ausgeglichenheit und innerer ruhe inkl meditation system der moralischen religion zur endlichen beruhigung für zweifler und denker lerne mit deiner krankheit zu gehen

lerne mit deiner krankheit zu gehen 80 alternative therapien - Jul 05 2023

web jun 10 2023 lerne mit deiner krankheit zu gehen 80 alternative therapien und begleitende maßnahmen bei der multiplen sklerose by gabriele lenk du wusstest bereits vor deinem leben dass du mit deinen themen in berührung

lerne mit deiner krankheit zu gehen 80 alternativ pdf - Aug 26 2022

web mar 31 2023 klick sichtweise bei rheuma ändern lebensqualität zurückgewinnen daniela kunz 2021 05 06 ich möchte mut machen motivieren und neue impulse setzen meinen lesern wege aufzeigen das ohnmachtsgefühl gegenüber einer unheilbaren krankheit wie rheuma abzuschütteln

pdf lerne mit deiner krankheit zu gehen 80 alternativ - Jun 04 2023

web lerne mit deiner krankheit zu gehen 80 alternativ schreib dich gesund jan 31 2020 sich selbst auf die spur kommen schreib dir deine krankheiten von der seele lass die schatten der schulzeit hinter dir may 05 2020 allein die vorstellung wieder zur schule gehen zu müssen löst bei vielen der schulbank

lerne mit deiner krankheit zu gehen 80 alternativ pdf - Sep 26 2022

web getting the books lerne mit deiner krankheit zu gehen 80 alternativ now is not type of challenging means you could not only going in imitation of ebook stock or library or borrowing from your contacts to get into them this is an definitely easy means to specifically acquire guide by on line this online broadcast lerne mit deiner krankheit

lerne mit deiner krankheit zu gehen 80 alternativ download only - Jan 31 2023

web you could purchase lead lerne mit deiner krankheit zu gehen 80 alternativ or acquire it as soon as feasible you could quickly download this lerne mit deiner krankheit zu gehen

lerne mit deiner krankheit zu gehen 80 alternative therapien - Sep 07 2023

web lerne mit deiner krankheit zu gehen 80 alternative therapien und begleitende maßnahmen bei der multiplen sklerose lenk gabriele isbn 9783833492068 kostenloser versand für alle bücher mit versand und verkauf duch amazon

türkisch lernen kostenlos und effektiv funeasylearn - Jun 23 2022

web lerne türkisch mit hilfe des umfangreichsten kurses der auf dem markt erhältlich ist spiele lese hör schreib und sprechspiele bewältige schnell mehrere schwierigkeitsniveaus und entwickle ausgezeichnete kommunikationsfähigkeiten melde dich mit blumen kostenlos an und genieße jede minute des lernprozesses

lerne mit deiner krankheit zu gehen 80 alternative therapien - Oct 08 2023

web may 17 2023 20 deiner zeit mit 20 deiner mühe erzielst du 80 des ergebnisses die letzten prozente zur perfektion kosten unverhältnismäßig viele nerven das ziel der folgenden strategien ist nicht mehr effizienz und produktivität sondern stressvermeidung lerne mit deiner krankheit zu gehen 80 alternative therapien und begleitende maßnahmen bei der

Ücretsiz sağlık kursları ve eğitimleri udemy - Mar 01 2023

web 4 4 144 14 99 19 99 hijyen eğitimi sertifikası hijyen belgesi 8 saat 2023 bitirme sertifikası hijyen eğitimi belgesi

alabileceğiniz kapsamlı hijyen eğitimi anında sertifikapuan 4 6 564 yorumtoplam 8 5 saat28 derstüm düzeylergeçerli fiyat 14 99orijinal fiyat 19 99

lernemitdeinerkrankheitzugehen80alternativ pdf - Oct 28 2022

web lerne mit deiner krankheit zu gehen 80 alternativ pdf lerne mit deiner krankheit zu gehen 80 alternativ 1 lerne mit deiner krankheit zu gehen 80 alternativ getting the books lerne mit deiner krankheit zu gehen 80 alternativ now is not type of challenging means bin krank muss aber dringend lernen was tun gutefrage

lerne mit deiner krankheit zu gehen 80 alternativ nina george - Apr 02 2023

web jan 2 2023 this online message lerne mit deiner krankheit zu gehen 80 alternativ can be one of the options to accompany you taking into consideration having supplementary time it will not waste your time acknowledge me the e book will completely publicize you additional concern to read

10 besten türkisch lern apps im vergleich kostenlos lernen - Jul 25 2022

web oct 9 2022 in der liste sind 100 kostenlose apps fremium apps und premium apps 8 von 10 apps funktionieren in deutsch türkisch 2 haben nur englisch türkisch als option alle apps sind für anfänger ohne vorkenntnisse geeignet 1 babbel screenshot anmeldeseite für den türkisch kurs von babbel die türkisch kurse von babbel

lerne mit deiner krankheit zu gehen 80 alternative therapien - Feb 17 2022

web lerne mit deiner krankheit zu gehen 80 alternative therapien und begleitende maßnahmen bei der multiplen sklerose by gabriele lenk lerne mit deiner krankheit zu gehen 80

lerne mit deiner krankheit zu gehen 80 alternativ copy - Mar 21 2022

web system der moralischen religion zur endlichen beruhigung für zweifler und denker sämtliche werke krankheit lernen im ausnahmezustand lerne mit deiner krankheit zu gehen 80 alternativ downloaded from pantera adecco com by guest perez jillian system der moralischen religion zur endlichen beruhigung für zweifler und denker

türkisch lernen von zu hause und unterwegs so geht s ganz - May 23 2022

web tipp 6 haben sie beim türkisch lernen geduld mit sich die aussprache des türkischen fällt vielen sprachenlernern schwer sinnvoll ist wörter phonetisch zu lernen also beispielsweise mit audiodateien nach und nach lernen

lerne mit deiner krankheit zu gehen 80 alternative therapien - Dec 30 2022

web jun 16 2023 lerne mit deiner krankheit zu gehen 80 alternative therapien und begleitende maßnahmen bei der multiplen sklerose by gabriele lenk ms ist eine chronische krankheit für die es noch keine heilung gibt betroffen sind vor allem frauen mit circa 70 prozent die wahrscheinlichkeit selbst an ms zu erkranken liegt bei gerade

topografie afrika meander groep 8 topomania net - Dec 08 2022

web mar 8 2021 topografie afrika meander groep 8 aantal keer gespeeld 1057 laatst gespeeld 08 03 2021 highscore

naut meander brandaan wereldoriëntatie malmberg - May 13 2023

web met naut meander en brandaan toets je kennis én vaardigheden per thema heb je 2 momenten waarop je de kinderen kunt beoordelen groep 5 t m 8 1 toetsen van kennis na les 1 t m 4 maken de kinderen een toets over het hele thema de thematoets bestaat uit 10 gesloten vragen

meander groep 8 thema 7 flashcards quizlet - Aug 04 2022

web meander koude gebieden thema 9 groep 8 10 terms annheally alan walker and ava max niveau 3 song 5 32 terms annheally meander groep 7 8 thema 8 10 terms annheally brandaan thema 8 groep 7 8 12 terms annheally other quizlet sets a306 discussion questions 10 terms tara powell285 sociology chap 12 18 terms sierracollins3721

topografie wereld meander groep 8 thema 4 topomania net - Apr 12 2023

web feb 6 2022 topografie wereld meander groep 8 thema 4 aantal keer gespeeld 1472

meander samenvatting groep 8 - Jan 09 2023

web meander samenvatting groep 8 malmberg s hertogenbosch blz 1 van 10 tropisch regenwoud in de tropen rond de evenaar ligt het tropisch regenwoud het amazonegebied in zuid amerika is het grootste tropisch regenwoud in de wereld de gemiddelde temperatuur is er 25 graden er valt jaarlijks ruim twee keer zoveel regen als in nederland

alternatieve toetsnormering meander onderwijs van morgen - Mar 11 2023

web jan 21 2015 meander toetsnormering groep 5 meander toetsnormering groep 6 meander toetsnormering groep 7 meander toetsnormering groep 8

oefenen voor school oefenenvoorschool - Jul 03 2022

web overhoor jezelf meander groep 8 voeg toe aan mijn yurls genereer qr code kopieer box url groep 8 thema 1 water y groep 8 thema 2 werk en toetsen oefenen meander toetsen oefenen naut verkeer taal spelling woordenschat algemeen woordenschat groep 4 taal actef

antwoordenboek thema 1 5 groep 7 8 meander versie 2 - Sep 05 2022

web 614791 antwoordenboek thema 1 5 groep 7 8 meander versie 2 614791 antwoordenboek voor thema 1 tot en met 5 voor groep 7 8 van meander versie 2 antwoordenboek voor thema 1 tot en met 5 voor groep 7 8 van meander versie 2 de antwoorden van de volgende thema s 1 tot en met 5 zitten hierin opgenomen bergen en

leren voor de toets dit weet ik nu basisschool de ark - Mar 31 2022

web les 1 rond de noordpool de noordpool is het noordelijkste puntje van de aarde het gebied eromheen heet het noordpoolgebied rond de noordpool vind je ijsvlakten om de noordelijke ijszee ligt

topografie meander groep 8 thema 3 de aarde beweegt - Jan 29 2022

web mar 26 2023 topografie meander groep 8 thema 3 de aarde beweegt aantal keer gespeeld 9462 laatst gespeeld 26 03

2023 highscore

meester henk oefenen maar oefeningen - Jun 02 2022

web voor de methode brandaan meander en naut zijn er vragen die kunnen helpen bij het voorbereiden van de toets je mag net zo vaak oefenen als je wilt thuis of op school op je tablet of smartphone etc

meander versie 2 toetssoftware thema 6 10 groep 7 8 - Jul 15 2023

web meander versie 2 toetssoftware thema 6 10 groep 7 8 deze groepslicentie van thema 6 tot en met 10 biedt de toetssoftware van meander voor groep 7 en 8 de toets op papier is vrijwel identiek aan de digitale toets in de toetssoftware

meander groep 8 thema 1 quiz purposegames - Oct 06 2022

web feb 22 2022 meander groep 8 thema 1 quiz geography image quiz meander groep 8 thema 1 by tmpinto 5 392 plays 21 questions 50 sec dutch 21p 4 3 80 you not rated tries unlimited last played february 22 2022 12 00 am there is a printable worksheet available for download here so you can take the quiz with pen and paper remaining 0

meander toetsen groep 8 gebruikteschoolboeken com - Nov 07 2022

web meander toetsen groep 8 voor scholen en particulieren wij staan voor iedereen klaar levertijd onze levertijd is 1 tot 2 dagen open dinsdag t m vrijdag van 9 00 17 00 uur zaterdag van 10 00 16 00 uur menu home rekenen pluspunt versie 2

topografie meander groep 7 en 8 thema 7 topomania net - Dec 28 2021

web nov 29 2022 topografie meander groep 7 en 8 thema 7 aantal keer gespeeld 89 laatst gespeeld 29 11 2022 highscore

meander groep 8 thema 2 flashcards quizlet - Feb 10 2023

web lernliste Duits toets 1 77 terms tomkreikamp brandaan groep 8 thema 5 11 terms tomkreikamp meander groep 8 thema 5 10 terms tomkreikamp other quizlet sets exam 1 chapters 1 and 2 62 terms imstressed69 ito lecture 4 prices incoterms 18 terms aloysiushn micro bio lect 18 13 terms sunflower6

meander aardrijkskunde groep 8 toets vinden - Feb 27 2022

web may 8th 2019 meander antwoordenboek groep 7 meander is een aardrijkskunde methode van uitgeverij malmberg jaar van uitgave is 2008 meander wordt gebruikt in groep 5 t m 8 van het basisonderwijs meander groep 8 toets chouguy india accurascan com

onderwijs van morgen - Jun 14 2023

web onderwijs van morgen

meander samenvattingen obs de ploeg - May 01 2022

web meander samenvattingen hieronder kun je voor je eigen groep de meander aardrijkskunde samenvattingen downloaden groep 5 groep 6 groep 7 groep 8

toetsen topografie onderwijs van morgen - Aug 16 2023

web jan 21 2015 toetsen topografie er zijn speciale topografietoetsen bij meander gemaakt zodat u de topografie apart kunt toetsen indien u dat wenst na bv het leren van de samenvattingen het oefenen met het kopieerblad uit de handleiding en het ingevulde kopieerblad kunt u een topografietoets afnemen