

## ALIGNMENT OF CUTTER BAR

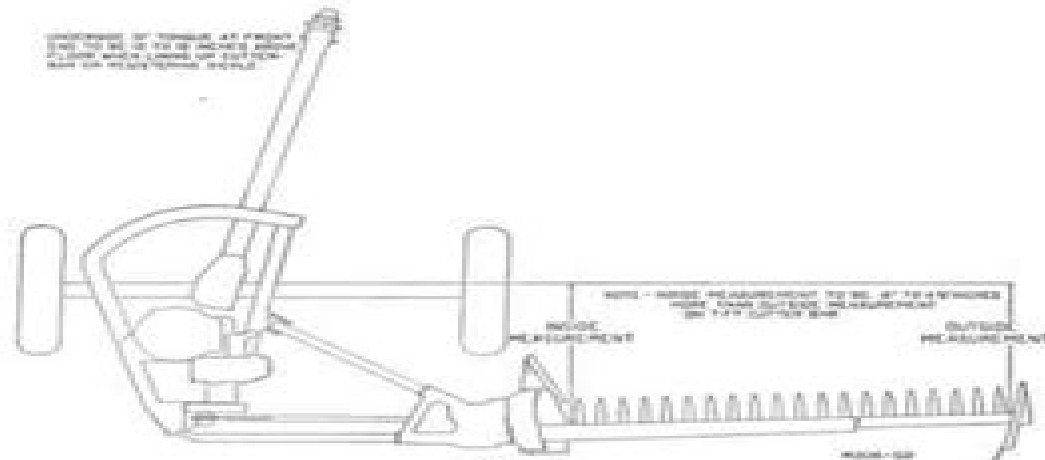


Fig. 26

For proper operation the outer end of the cutter bar should lead the inner end when the machine is not in operation. After long use the outer end may lag

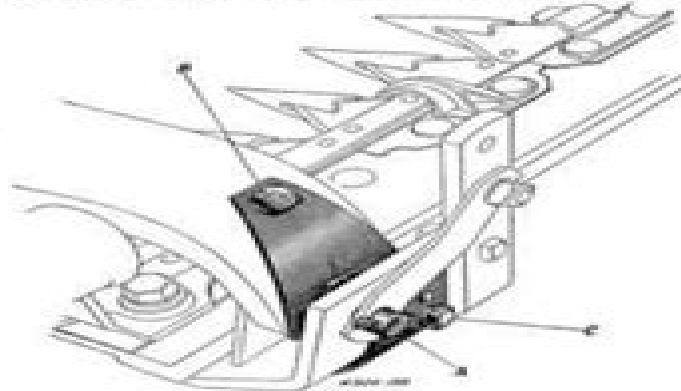


Fig. 27

back and if this happens it can be corrected by making adjustments on the cutter bar eccentric bushing as follows:—First make sure that the pin and bolt in the hinge connection "A" Figs. 27 and 28 are tight and in good condition. Set the machine on a level floor or ground and block up the front end of the tongue so the distance from the underside of the tongue to the floor is from 13 to 15". See Fig. 26. Place a straight edge or draw a string along the front side of the axle, extending the full length of the cutter bar, measure the distance from the straight edge or string to the front edge of the cutter bar. The measurement at the inner end of the bar should be 4 to 4-3/4" greater than the measurement at the outer end on a 7" bar.

If the cutter bar does not have this amount of lead, adjustment should be made on the eccentric bushing; remove the bolt "B" Fig. 27, holding the keeper plate in place. Then by using this plate as a wrench turn the eccentric bushing either to the right or left until the cutter bar has the proper lead. Then replace the bolt and plate.

# New Is Idea 30a Sickle Bar Mower Parts Manual

**Camilla Rothe**



**New Is Idea 30a Sickle Bar Mower Parts Manual:**

**National Farm Tractor and Implement Blue Book** ,1960      Union Agriculturist and Western Prairie Farmer ,1983  
**The Prairie Farmer** ,1955      **Wallaces Farmer** ,1976      *Operator's Manual and Parts List; Mower, 85* White Motor Corporation,White Farm Equipment Co,Oak Brook (Ill.),Brantford (Ont.),1980      **Shop Manuals; Hydro-Clipper Sicklebar Mower** Triumph Machinery Co,Ford Motor Company,Hackettstown (N.J.),1960

## Whispering the Secrets of Language: An Mental Journey through **New Is Idea 30a Sickle Bar Mower Parts Manual**

In a digitally-driven world wherever screens reign great and instant connection drowns out the subtleties of language, the profound techniques and emotional subtleties concealed within words often go unheard. However, located within the pages of **New Is Idea 30a Sickle Bar Mower Parts Manual** a interesting fictional treasure pulsing with organic emotions, lies an extraordinary quest waiting to be undertaken. Published by a talented wordsmith, that wonderful opus attracts readers on an introspective journey, delicately unraveling the veiled truths and profound affect resonating within the cloth of every word. Within the psychological depths of the poignant review, we shall embark upon a honest exploration of the book is key styles, dissect their charming publishing type, and yield to the strong resonance it evokes heavy within the recesses of readers hearts.

[https://correiodobrasil.blogosfero.cc/public/book-search/HomePages/my\\_names\\_not\\_robbie\\_any\\_more\\_a\\_modern\\_novel\\_laced\\_with\\_humor.pdf](https://correiodobrasil.blogosfero.cc/public/book-search/HomePages/my_names_not_robbie_any_more_a_modern_novel_laced_with_humor.pdf)

### **Table of Contents New Is Idea 30a Sickle Bar Mower Parts Manual**

1. Understanding the eBook New Is Idea 30a Sickle Bar Mower Parts Manual
  - The Rise of Digital Reading New Is Idea 30a Sickle Bar Mower Parts Manual
  - Advantages of eBooks Over Traditional Books
2. Identifying New Is Idea 30a Sickle Bar Mower Parts Manual
  - Exploring Different Genres
  - Considering Fiction vs. Non-Fiction
  - Determining Your Reading Goals
3. Choosing the Right eBook Platform
  - Popular eBook Platforms
  - Features to Look for in an New Is Idea 30a Sickle Bar Mower Parts Manual
  - User-Friendly Interface
4. Exploring eBook Recommendations from New Is Idea 30a Sickle Bar Mower Parts Manual

- Personalized Recommendations
  - New Is Idea 30a Sickle Bar Mower Parts Manual User Reviews and Ratings
  - New Is Idea 30a Sickle Bar Mower Parts Manual and Bestseller Lists
5. Accessing New Is Idea 30a Sickle Bar Mower Parts Manual Free and Paid eBooks
    - New Is Idea 30a Sickle Bar Mower Parts Manual Public Domain eBooks
    - New Is Idea 30a Sickle Bar Mower Parts Manual eBook Subscription Services
    - New Is Idea 30a Sickle Bar Mower Parts Manual Budget-Friendly Options
  6. Navigating New Is Idea 30a Sickle Bar Mower Parts Manual eBook Formats
    - ePub, PDF, MOBI, and More
    - New Is Idea 30a Sickle Bar Mower Parts Manual Compatibility with Devices
    - New Is Idea 30a Sickle Bar Mower Parts Manual Enhanced eBook Features
  7. Enhancing Your Reading Experience
    - Adjustable Fonts and Text Sizes of New Is Idea 30a Sickle Bar Mower Parts Manual
    - Highlighting and Note-Taking New Is Idea 30a Sickle Bar Mower Parts Manual
    - Interactive Elements New Is Idea 30a Sickle Bar Mower Parts Manual
  8. Staying Engaged with New Is Idea 30a Sickle Bar Mower Parts Manual
    - Joining Online Reading Communities
    - Participating in Virtual Book Clubs
    - Following Authors and Publishers New Is Idea 30a Sickle Bar Mower Parts Manual
  9. Balancing eBooks and Physical Books New Is Idea 30a Sickle Bar Mower Parts Manual
    - Benefits of a Digital Library
    - Creating a Diverse Reading Collection New Is Idea 30a Sickle Bar Mower Parts Manual
  10. Overcoming Reading Challenges
    - Dealing with Digital Eye Strain
    - Minimizing Distractions
    - Managing Screen Time
  11. Cultivating a Reading Routine New Is Idea 30a Sickle Bar Mower Parts Manual
    - Setting Reading Goals New Is Idea 30a Sickle Bar Mower Parts Manual
    - Carving Out Dedicated Reading Time
  12. Sourcing Reliable Information of New Is Idea 30a Sickle Bar Mower Parts Manual

- Fact-Checking eBook Content of New Is Idea 30a Sickle Bar Mower Parts Manual
  - Distinguishing Credible Sources
13. Promoting Lifelong Learning
- Utilizing eBooks for Skill Development
  - Exploring Educational eBooks
14. Embracing eBook Trends
- Integration of Multimedia Elements
  - Interactive and Gamified eBooks

### **New Is Idea 30a Sickle Bar Mower Parts Manual Introduction**

In today's digital age, the availability of New Is Idea 30a Sickle Bar Mower Parts Manual books and manuals for download has revolutionized the way we access information. Gone are the days of physically flipping through pages and carrying heavy textbooks or manuals. With just a few clicks, we can now access a wealth of knowledge from the comfort of our own homes or on the go. This article will explore the advantages of New Is Idea 30a Sickle Bar Mower Parts Manual books and manuals for download, along with some popular platforms that offer these resources. One of the significant advantages of New Is Idea 30a Sickle Bar Mower Parts Manual books and manuals for download is the cost-saving aspect. Traditional books and manuals can be costly, especially if you need to purchase several of them for educational or professional purposes. By accessing New Is Idea 30a Sickle Bar Mower Parts Manual versions, you eliminate the need to spend money on physical copies. This not only saves you money but also reduces the environmental impact associated with book production and transportation. Furthermore, New Is Idea 30a Sickle Bar Mower Parts Manual books and manuals for download are incredibly convenient. With just a computer or smartphone and an internet connection, you can access a vast library of resources on any subject imaginable. Whether you're a student looking for textbooks, a professional seeking industry-specific manuals, or someone interested in self-improvement, these digital resources provide an efficient and accessible means of acquiring knowledge. Moreover, PDF books and manuals offer a range of benefits compared to other digital formats. PDF files are designed to retain their formatting regardless of the device used to open them. This ensures that the content appears exactly as intended by the author, with no loss of formatting or missing graphics. Additionally, PDF files can be easily annotated, bookmarked, and searched for specific terms, making them highly practical for studying or referencing. When it comes to accessing New Is Idea 30a Sickle Bar Mower Parts Manual books and manuals, several platforms offer an extensive collection of resources. One such platform is Project Gutenberg, a nonprofit organization that provides over 60,000 free eBooks. These books are primarily in the public domain, meaning they can be freely distributed and downloaded. Project

Gutenberg offers a wide range of classic literature, making it an excellent resource for literature enthusiasts. Another popular platform for New Is Idea 30a Sickle Bar Mower Parts Manual books and manuals is Open Library. Open Library is an initiative of the Internet Archive, a non-profit organization dedicated to digitizing cultural artifacts and making them accessible to the public. Open Library hosts millions of books, including both public domain works and contemporary titles. It also allows users to borrow digital copies of certain books for a limited period, similar to a library lending system. Additionally, many universities and educational institutions have their own digital libraries that provide free access to PDF books and manuals. These libraries often offer academic texts, research papers, and technical manuals, making them invaluable resources for students and researchers. Some notable examples include MIT OpenCourseWare, which offers free access to course materials from the Massachusetts Institute of Technology, and the Digital Public Library of America, which provides a vast collection of digitized books and historical documents. In conclusion, New Is Idea 30a Sickle Bar Mower Parts Manual books and manuals for download have transformed the way we access information. They provide a cost-effective and convenient means of acquiring knowledge, offering the ability to access a vast library of resources at our fingertips. With platforms like Project Gutenberg, Open Library, and various digital libraries offered by educational institutions, we have access to an ever-expanding collection of books and manuals. Whether for educational, professional, or personal purposes, these digital resources serve as valuable tools for continuous learning and self-improvement. So why not take advantage of the vast world of New Is Idea 30a Sickle Bar Mower Parts Manual books and manuals for download and embark on your journey of knowledge?

### **FAQs About New Is Idea 30a Sickle Bar Mower Parts Manual Books**

1. Where can I buy New Is Idea 30a Sickle Bar Mower Parts Manual books? Bookstores: Physical bookstores like Barnes & Noble, Waterstones, and independent local stores. Online Retailers: Amazon, Book Depository, and various online bookstores offer a wide range of books in physical and digital formats.
2. What are the different book formats available? Hardcover: Sturdy and durable, usually more expensive. Paperback: Cheaper, lighter, and more portable than hardcovers. E-books: Digital books available for e-readers like Kindle or software like Apple Books, Kindle, and Google Play Books.
3. How do I choose a New Is Idea 30a Sickle Bar Mower Parts Manual book to read? Genres: Consider the genre you enjoy (fiction, non-fiction, mystery, sci-fi, etc.). Recommendations: Ask friends, join book clubs, or explore online reviews and recommendations. Author: If you like a particular author, you might enjoy more of their work.

4. How do I take care of New Is Idea 30a Sickle Bar Mower Parts Manual books? Storage: Keep them away from direct sunlight and in a dry environment. Handling: Avoid folding pages, use bookmarks, and handle them with clean hands. Cleaning: Gently dust the covers and pages occasionally.
5. Can I borrow books without buying them? Public Libraries: Local libraries offer a wide range of books for borrowing. Book Swaps: Community book exchanges or online platforms where people exchange books.
6. How can I track my reading progress or manage my book collection? Book Tracking Apps: Goodreads, LibraryThing, and Book Catalogue are popular apps for tracking your reading progress and managing book collections. Spreadsheets: You can create your own spreadsheet to track books read, ratings, and other details.
7. What are New Is Idea 30a Sickle Bar Mower Parts Manual audiobooks, and where can I find them? Audiobooks: Audio recordings of books, perfect for listening while commuting or multitasking. Platforms: Audible, LibriVox, and Google Play Books offer a wide selection of audiobooks.
8. How do I support authors or the book industry? Buy Books: Purchase books from authors or independent bookstores. Reviews: Leave reviews on platforms like Goodreads or Amazon. Promotion: Share your favorite books on social media or recommend them to friends.
9. Are there book clubs or reading communities I can join? Local Clubs: Check for local book clubs in libraries or community centers. Online Communities: Platforms like Goodreads have virtual book clubs and discussion groups.
10. Can I read New Is Idea 30a Sickle Bar Mower Parts Manual books for free? Public Domain Books: Many classic books are available for free as they're in the public domain. Free E-books: Some websites offer free e-books legally, like Project Gutenberg or Open Library.

**Find New Is Idea 30a Sickle Bar Mower Parts Manual :**

~~my names not robbie any more a modern novel laced with humor~~

**my very special scrapbook the world of eric carle**

*my very best christmas flute*

**n3 diesel trade theory question papers**

*my favorite tyrants wisconsin poetry series*

n reg peugeot boxer workshop manual

*my lady judge a mystery of medieval ireland hardcover september 18 2007*

**naap lab extrasolar planets student guide answers**



[my secret obsession erotic lesbian stories volume 1](#)

**n4 question paper for educare**

**mythologies of the world the illustrated guide to mythological beliefs and customs**

[my weirder school 9 ms sue has no clue](#)

[my mobail poran japnes virgen movies download free](#)

[my heavenly father watches over me free sheet music](#)

**na de beeldenstorm drie opstellen over recente beeldende kunst**

**New Is Idea 30a Sickle Bar Mower Parts Manual :**

[list of angelina jolie blue film sexybluefilm com](#) - Mar 02 2022

web list of angelina jolie blue film get xxx sex blue film hard porn watch only list of angelina jolie blue film best free xxx sex blue film videos and xxx movies in hd which updates hourly other list of angelina jolie blue film videos horny bhabhi fucking and blowjob by husband classical indian sex in room

**angelina jolie videos xvideos com** - Sep 08 2022

web see all premium angelina jolie content on xvideos 720p wicked stormy daniels is maleficent mistress of evil 10 min wicked pictures 606 1k views 360p huge blackhaired phuong in angelina jolie taking lives sex do p 5 min valentinesgirl karen lancaume as lara croft 13 min

[angelina jolie porn videos sex movies redtube com](#) - Jun 05 2022

web tons of free angelina jolie porn videos and xxx movies are waiting for you on redtube find the best angelina jolie videos right here and discover why our sex tube is visited by millions of porn lovers daily nothing but the highest quality angelina jolie

**angelina jolie s sons maddox pax join her for another day** - Oct 09 2022

web oct 17 2023 angelina jolie has two of her kids by her side on the set of her upcoming movie maria the oscar winning actress was joined by her sons maddox 22 and pax 19 while heading to work on another

**angelina jolie wikipedia** - Apr 03 2022

web angelina jolie d3 00 ' l i : born angelina jolie voight june 4 1975 is an american actress filmmaker and humanitarian the recipient of numerous accolades including an academy award and three golden globe awards she has been named hollywood s highest paid actress multiple times jolie made her screen debut as a child alongside

**angelina jolie s last photo in pyrgos after filming maria** - Jul 18 2023

web 23 hours ago the hollywood star angelina jolie may have left pyrgos a few days ago when part of the filming dedicated

to maria callas s life occurred however her last photo is from the hotel complex of skafida aldemar olympia village where she stayed for the photo she wanted to take with all the hotel staff the actress chose to wear an off white

[angelina jolie blue film 2beeg](#) - Aug 07 2022

web angelina jolie blue film free porn watch and download angelina jolie blue film hard porn at 2beeg mobi relevance last added most popular top rated 00 00 00 00 65 383 votes 184 593 12 02 7 years ago categories hardcore teen blowjob group sex

**angelina jolie transforms into the iconic opera singer maria callas** - Feb 01 2022

web angelina jolie looked worlds away from her usual self as she got stuck into character on set of new biopic maria film in greece on saturday the actress 48 transformed into the iconic opera

[angelina jolie filming maria callas spotted in greece](#) - Apr 15 2023

web october 17 2023 the first two images of angelina jolie as famed diva maria callas in pablo larrain s upcoming biopic maria have been revealed credit fremantlehq twitter angelina jolie was spotted getting onboard a yacht during the last day of filming maria in greece scenes of the film which is about the tumultuous life of famed greek

[angelina jolie blue film movie 36791 porn videos pornogids](#) - May 04 2022

web hd porn angelina jolie blue film movie not easy to find but the editors of pornogids net did an almost impossible job and picked up 36791 porn videos we hasten to please you you don t have to search for long for the desired video below are the most delicious videos with angelina jolie blue film movie in full hd quality

**angelina jolie blue film porn videos foxporn me** - Dec 11 2022

web watch angelina jolie blue film on foxporn me the best internet porn site download the best angelina jolie blue film porn videos

[angelina jolie films imdb](#) - Mar 14 2023

web a retired master car thief must come back to the industry and steal fifty cars with his crew in one night to save his brother s life director dominic sena stars nicolas cage angelina jolie giovanni ribisi t j cross votes 289 321 gross 101 65m

[angelina jolie filmography wikipedia](#) - Jul 06 2022

web angelina jolie filmography jolie at the 2019 san diego comic con american actress angelina jolie made her screen debut in the comedy film lookin to get out 1982 acting alongside her father jon voight 1 eleven years later she appeared in her next feature the low budget film cyborg 2 1993 a commercial failure 2

[angelina jolie looks unrecognizable as opera singer maria](#) - May 16 2023

web oct 10 2023 on monday the first photos of jolie in the role were revealed ahead of the film s 2024 release one of which saw the actress slipping into callas s thick brown rimmed glasses along with a

[angelina jolie in maria first look at actress in maria callas](#) - Aug 19 2023

web october 9 2023 8 00am angelina jolie in maria pablo larrain pablo larraín jackie has revealed two first photos of angelina jolie as maria callas in his new film that will explore the life

[angelina jolie porn gal gadot hollywood actress videos](#) - Jan 12 2023

web angelina jolie porn videos gal gadot hollywood actress scarlett johansson porn spankbang actress scarlett johansson margot robbie emma watson alexandra daddario megan fox actress hollywood jennifer lawrence hollywood movie sex scene 24m eva angelina jenaveve jolie 21k 98 2

**10 best movies of angelina jolie imdb** - Nov 10 2022

web 10 best movies of angelina jolie grief stricken mother christine collins takes on the l a p d to her own detriment when they try to pass off an obvious impostor as her missing child

[angelina jolie as maria callas in pablo larraín biopic first look](#) - Jun 17 2023

web oct 9 2023 angelina jolie transforms into legendary opera singer maria callas in the first images from pablo larraín s biopic maria the jackie and spencer director s latest film will

**angelina jolie movies imdb** - Feb 13 2023

web a vengeful fairy is driven to curse an infant princess only to discover that the child could be the one person who can restore peace to their troubled land director robert stromberg stars angelina jolie elle fanning sharlto copley lesley manville votes 392 187 gross 241 41m 21

**angelina jolie movies list imdb** - Sep 20 2023

web director michael schroeder stars elias koteas angelina jolie jack palance billy drago votes 5 033 3 without evidence 1995 not rated 99 min thriller drama 4 rate the story revolves around a possible conspiracy behind the real life murder of the oregon s head of corrections michael francke

[la civilisation perdue naissance d une archa c ol 2022 mail](#) - Mar 20 2022

web les équivoques de la civilisation jésus et les esséniens la civilisation perdue naissance d une archa c ol downloaded from mail lafamigliawv com by guest vang

[la civilisation perdue naissance d une archéologie by david](#) - Dec 17 2021

web la civilisation perdue naissance d une archéologie by david macaulay jean baptiste médina les origines de l ancienne france xe et xie sicles le april 29th 2020 je me

**la civilisation perdue naissance d une archa c ol** - May 02 2023

web la civilisation perdue naissance d une archa c ol 5 5 l archéologie livres d étrennes la civilisation perdue avant de mourir l anthropologue margaret mead a exprimé la

*la civilisation perdue naissance d une archa c ol louis* - Apr 01 2023

web funds for under as without difficulty as review *la civilisation perdue naissance d une archa c ol* what you later than to read the book of the homeless edith wharton 2021

*la civilisation perdue naissance d une archa c ol pdf* - Feb 28 2023

web this online statement *la civilisation perdue naissance d une archa c ol* can be one of the options to accompany you gone having further time it will not waste your time

*pourquoi les civilisations finissent elles par disparaître* - Oct 27 2022

web et dans ce tour du monde civilisationnel il avait défini cinq facteurs entrant en jeu pour expliquer ces disparitions des dommages environnementaux un changement

**la civilisation perdue naissance d une archa c ol pdf** - Oct 07 2023

web oct 17 2023 *la civilisation perdue naissance d une archa c ol la civilisation perdue naissance d une archa c ol 2* downloaded from ead3 archivists org on

*pdf la civilisation perdue naissance d une archa c ol* - Jan 30 2023

web *la civilisation perdue naissance d une archa c ol dictionnaire d archéologie chrétienne et de liturgie* publié par le r p dom fernand cabrol avec le

*la civilisation perdue naissance d une archéologie by david* - Jan 18 2022

web april 23rd 2020 sur beaucoup d entre nous le monde de la grèce antique et ses mythes héroïques ont exercé un mystérieux pouvoir d attraction et de fascination il est presque

**la civilisation perdue naissance d une archa c ol david hiley** - Sep 06 2023

web the pronouncement *la civilisation perdue naissance d une archa c ol* that you are looking for it will definitely squander the time however below gone you visit this web

**la civilisation perdue naissance d une archa c ol** - Feb 16 2022

web revue catholique d alsace *la civilisation perdue naissance d une archa c ol* downloaded from admin store motogp com by guest nylah joyce les origines indo

**la civilisation perdue naissance d une archa c ol pdf** - Nov 27 2022

web for their favorite books in the manner of this *la civilisation perdue naissance d une archa c ol* but stop stirring in harmful downloads rather than enjoying a good book

**4 preuves évidentes d une civilisation antique disparue** - Aug 25 2022

web mar 13 2019 4 preuves évidentes d une civilisation antique disparue le but de cet article est d éveiller votre curiosité au sujet de l origine des pyramides d Égypte et donc

**la civilisation perdue naissance d une archa c ol pdf** - Jul 04 2023

web 4 la civilisation perdue naissance d une archa c ol 2023 09 27 l histoire certaines avaient des millénaires d avance sur leurs voisins comme la civilisation de la vallée

la civilisation perdue naissance d une archa c ol quicherat - Jun 22 2022

web la civilisation perdue naissance d une archa c ol la civilisation perdue naissance d une archa c ol 2 downloaded from donate pfi org on 2022 06 10 by guest truth and

la civilisation perdue naissance d une archa c ol - May 22 2022

web la civilisation perdue naissance d une archa c ol 3 3 disparues ou faisaient ils partie d une civilisation d extra terrestre comme certains adeptes des théories conspiratrices

la civilisation les causes de son apparition et de sa décadence - Sep 25 2022

web la civilisation signifie donc un perfectionnement de l homme et fournit à son tour les conditions de la manifestation de sa vérité profonde cependant cette révolution doit

**la civilisation perdue naissance d une archéologie by david** - Aug 05 2023

web la civilisation perdue naissance d une archéologie by david macaulay jean baptiste médina sculpture grecque par maxime collignon working paper 1 city words french

**la civilisation perdue naissance d une archa c ol 2023** - Jun 03 2023

web la civilisation perdue naissance d une archa c ol the army list aug 28 2023 mais en même temps enrichissement par de nombreux néologismes c est de cette évolution

**la civilisation perdue naissance d une archéologie by david** - Nov 15 2021

web la civilisation perdue naissance d une archéologie by david macaulay jean baptiste médina histoire de la sculpture grecque par maxime collignon april 17th 2020 c est a

**vie et mort des civilisations jean françois dortier sciences** - Jul 24 2022

web les explorateurs ont découvert les extraordinaires temples d angkor au cœur de la forêt d indochine des archéologues ont retrouvé les vestiges de babylone sous les sables

la civilisation perdue naissance d une archa c ol wrbb neu - Apr 20 2022

web 2 la civilisation perdue naissance d une archa c ol 2021 10 03 systems of gods which resist our understanding divine names provide fundamental keys to gain access to the

**la civilisation perdue naissance d une archa c ol download** - Dec 29 2022

web 2 la civilisation perdue naissance d une archa c ol 2022 03 10 michael rank auteur d un certain nombre de livre d histoire nous propose son ouvrage sur les grandes

*there will come a darkness the age of darkness book 1* - Aug 06 2022

a masterful fantasy debut katy rose pool is a writer to watch early buzz could hardly be louder a brilliantly woven story with compelling characters surprising twists and a prophecy driven

**there will come a darkness book one of the age of** - Oct 08 2022

there will come a darkness the age of darkness 1 hardcover 3 september 2019 by katy rose pool author 302 ratings book 1 of 3 the age of darkness see all formats and

**the age of darkness series macmillan** - Nov 28 2021

oct 13 2023 chorus when the darkness comes and there s nowhere you can run if the midnight strikes and you lose your only sun when the darkness comes la la la la la la

**there will come a darkness book one of the age of** - Mar 21 2021

jeris johnson when the darkness comes lyrics genius - Sep 26 2021

oct 17 2023 by matthew cappucci october 17 2023 at 6 00 a m edt the annular eclipse peeks through partly cloudy skies over boise on saturday darin oswald ap 4 min on

*there will come a darkness age of darkness 1 by katy* - Oct 28 2021

oct 13 2023 please be seated a reading from the book of the prophet joel thus says the lord let the nations be steer themselves and come up to the valley of jehoshaphat for there will i

**there will come a darkness book one of the age of** - Feb 17 2021

*there will come a darkness the age of darkness 1* - May 03 2022

oct 9 2023 the article has been corrected israel declared war against hamas on sunday following a surprise attack by the palestinian militant group based in gaza that included the

*france bans pro palestinian protests amid call for hamas day* - Dec 30 2021

oct 10 2019 using their visions of the future they ended wars and united nations until the day one hundred years ago when the prophets disappeared all they left behind was one final

*there will come a darkness book one of the age of darkness* - Aug 18 2023

sep 5 2019 buy there will come a darkness book one of the age of darkness by pool katy rose isbn 9780356513713 from amazon s book store everyday low prices and free

*katy rose pool author of there will come a* - Apr 02 2022

sep 3 2019 quick plot synopsis there will come a darkness is the first book in the age of darkness trilogy it is about the lives

of 5 people and their world ephyra a murderer who  
*there will come a darkness* kirkus reviews - Jun 16 2023

sep 3 2019 the age of darkness is almost upon us one hundred years ago the seven prophets disappeared from the world leaving one last secret prophecy predicting an age of

**there will come a darkness the age of darkness** - Apr 14 2023

seventeen the age of darkness approaches five lives stand in its way who will stop it or unleash it for generations the seven prophets guided humanity using their visions of the

**there will come a darkness the age of darkness** - May 15 2023

sep 1 2020 the age of darkness is almost upon us one hundred years ago the seven prophets disappeared from the world leaving one last secret prophecy predicting an age of

[there will come a darkness the age of darkness 1](#) - Feb 12 2023

leigh bardugo s six of crows meets kristin cashore s graceling with a dash of winter is coming in this showstopping debut ya fantasy and recipient of four starred reviews katy

**there will come a darkness book one of the age of darkness** - Nov 09 2022

there will come a darkness book one of the age of darkness ebook written by katy rose pool read this book using google play books app on your pc android ios devices

**there will come a darkness the age of darkness 1** - Mar 13 2023

using their visions of the future they ended wars and united nations until the day one hundred years ago when the prophets disappeared all they left behind was one final secret

*beyond no here s what we know about the voice results* - Jun 23 2021

oct 11 2023 women hold candles during a rally to show support to palestinians and against israel s military operations in gaza in santiago chile on 10 october 2023

*there will come a darkness the age of darkness 1* - Jul 17 2023

sep 3 2019 amazon com there will come a darkness the age of darkness 1 9781250211750 pool katy rose books

**missed the ring of fire solar eclipse an even better one is** - Jul 25 2021

oct 16 2023 the fbi s crime statistics estimates for 2022 show that national violent crime decreased an estimated 1 7 in 2022 compared to 2021 estimates there were over 11 000

**who is hamas and why did they attack israel the** - Mar 01 2022

oct 13 2023 france imposed a ban on pro palestinian demonstrations after a former hamas leader called for a day of rage on friday oct 13 police used tear gas and water cannons on

**there will come a darkness book one of the age of darkness** - Jul 05 2022

sep 11 2019 there will come a darkness is told through five different and distinct povs a prince a vigilante a soldier a con artist and a dying girl some are more interesting than

**there will come a darkness the age of darkness 1** - Jan 11 2023

a beautiful woven fantasy of prophecy intrigue and unforgettable characters there will come a darkness feels both utterly original and like the best of classic fantasy tasha suri author of

there will come a darkness the age of darkness - Sep 19 2023

parents need to know that there will come a darkness is the first book in a fantasy trilogy for mature teens about prophets kingdoms magic and possible end times things are dark

**there will come a darkness age of darkness trilogy wiki** - Jan 31 2022

katy rose pool s epic ya fantasy series begins with there will come a darkness a compelling mixture of action packed adventure and young adult romance it starts with the wise consul of

there will come a darkness book one of the age of darkness - Dec 10 2022

there will come a darkness book one of the age of darkness kindle edition by katy rose pool author format kindle edition 4 1 203 ratings see all formats and editions kindle edition

**there will come a darkness the age of darkness 1** - Jun 04 2022

sep 1 2020 there will come a darkness the age of darkness 1 paperback september 1 2020 by katy rose pool author 4 2 4 2 out of 5 stars 450 ratings

fbi releases 2022 crime in the nation statistics fbi - May 23 2021

five lives stand in its way for generations the seven prophets guided humanity until they disappeared one hundred years ago they left behind a secret prophecy foretelling an

**live daily mass october 14 2023 7 30am live daily** - Aug 26 2021

oct 15 2023 a similar pattern plays out with we don t know if any of these factors are the reason why people voted against the voice but what they do show is that it failed to resonate

*there will come a darkness the age of darkness 1* - Sep 07 2022

there will come a darkness the age of darkness book 1 audible audiobook unabridged katy rose pool author todd boyce narrator 1 more 338 ratings editors pick best

**the double standard with israel and palestine leaves us in** - Apr 21 2021

a masterful fantasy debut sebastien de castell a can t miss debut from an exciting new talent kiersten white the age of darkness approaches five lives stand in its way



