

Diagram :

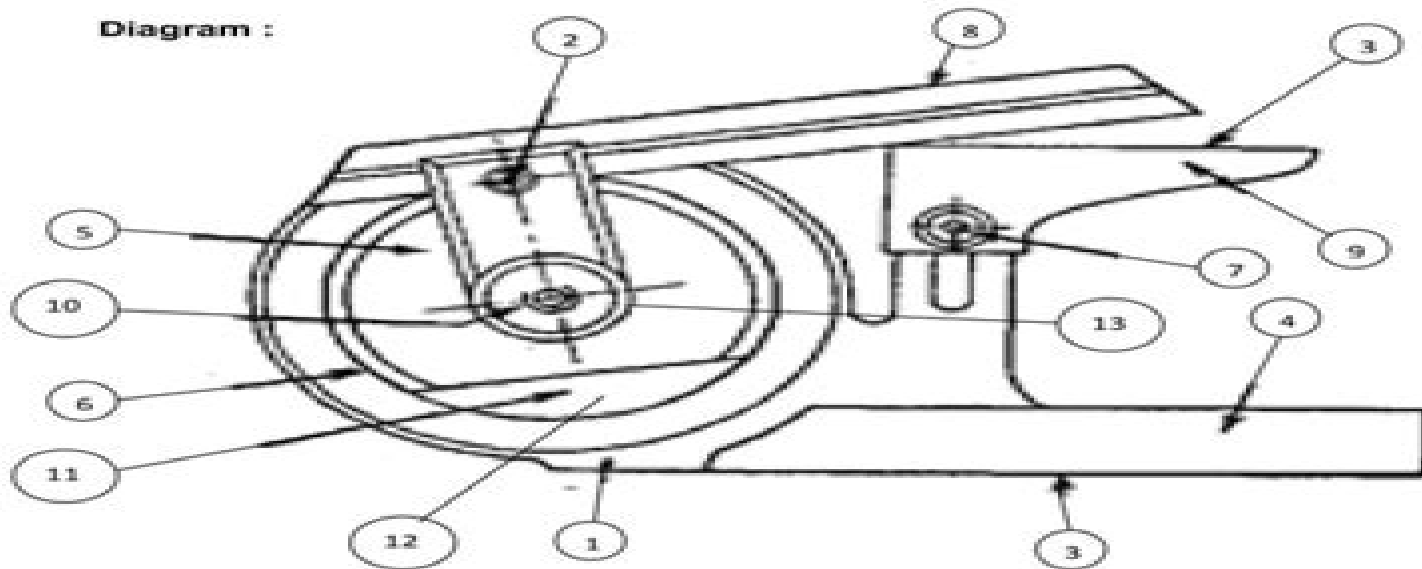


Fig.4. Vernier Bevel Protractor

Main Parts of Vernier Bevel Protractor :

- | | |
|------------------------------|---------------------------|
| 1. Body | 8. Blade |
| 2. Adjustable knob for blade | 9. Acute angle attachment |
| 3. Working Edge | 10. Slow motion device |
| 4. Stock | 11. Vernier Scale |
| 5. Turret | 12. Eye Piece |
| 6. Protractor/Main scale | 13. Clamp |
| 7. Locking Nut | |

Metrology Lab Experiments Manual Depth Measuring

Julia Schneider



Metrology Lab Experiments Manual Depth Measuring:

The Certified Quality Inspector Handbook H. Fred Walker, Ahmad K. Elshennawy, 2019-03-09 The quality inspector is the person perhaps most closely involved with day to day activities intended to ensure that products and services meet customer expectations The quality inspector is required to understand and apply a variety of tools and techniques as codified in the American Society for Quality ASQ Certified Quality Inspector CQI Body of Knowledge BoK The tools and techniques identified in the ASQ CQI BoK include technical math metrology inspection and test techniques and quality assurance Quality inspectors frequently work with the quality function of organizations in the various measurement and inspection laboratories as well as on the shop floor supporting and interacting with quality engineers and production service delivery personnel This handbook supports individuals preparing to perform or those already performing this type of work It is intended to serve as a ready reference for quality inspectors and quality inspectors in training as well as a comprehensive reference for those individuals preparing to take the ASQ CQI examination Examples and problems used throughout the handbook are thoroughly explained are algebra based and are drawn from real world situations encountered in the quality profession To assist readers in using this book as a ready reference or as a study aid the book has been organized to conform explicitly to the ASQ CQI BoK Each chapter title all major topical divisions within the chapters and every main point has been titled and then numbered exactly as they appear in the CQI BoK

Precision measurement equipment laboratory specialist (AFSC 32450). Glenn W. Medley, 1985

Dimensional Metrology, Subject-classified with Abstracts Through 1964, 1966

Report on an NBS/AID/OAS Workshop on Standardization and Measurement Services in Industrializing Economies, 1975

NBSIR, 1974

Industrial Metrology Graham T. Smith, 2013-04-17 The subject of this book is surface metrology in particular two major aspects surface texture and roundness It has taken a long time for manufacturing engineers and designers to realise the usefulness of these features in quality of conformance and quality of design Unfortunately this awareness has come at a time when engineers versed in the use and specification of surfaces are at a premium Traditionally surface metrology usage has been dictated by engineers who have served long and demanding apprenticeships usually in parallel with studies leading to technician level qualifications Such people understood the processes and the achievable accuracies of machine tools thereby enabling them to match production capability with design requirements This synergy has been made possible by the understanding of adherence to careful metrological procedures and a detailed knowledge of surface measuring instruments and their operation in addition to wider inspection room techniques With the demise in the UK of polytechnics and technical colleges this source of skilled technicians has all but dried up The shortfall has been made up of semi skilled craftsmen or inexperienced graduates who cannot be expected to satisfy traditional or new technology needs Miniaturisation for example has had a profound effect Engineering parts are now routinely being made with nanometre surface texture and flatness At these molecular and atomic scales the engineer

has to be a physicist *Materials Metrology and Standards for Structural Performance* B.F. Dyson, S. Loveday, Mark Gee, 1995 Materials metrology is the measurement science used for determining materials property data An essential element is the symbiosis between the understanding of materials behaviour and the development of suitable measurement techniques which through the provision of standards enable design engineers and plant operators to acquire materials data of appropriate precision This book is concerned only with those aspects of materials metrology and standards that relate to the design and performance in service of structures and consumer products It does not consider their important role in the processing of materials The editors are grateful for the commitment and patience of the experts who contributed the various chapters In addition help from staff in the Division of Materials Metrology National Physical Laboratory in assisting with the task of refereeing the chapters is gratefully acknowledged The production of this book was carried out as part of the Materials Measurement Programme of underpinning research financed by the United Kingdom Department of Trade and Industry Brian F Dyson Malcolm S Loveday Mark G Gee Division of Materials Metrology National Physical Laboratory Teddington TW11 0LW UK CHAPTER 1 Materials metrology and standards an introduction B F Dyson M S Loveday and M G Gee 1 1 MATERIALS ASPECTS OF STRUCTURAL DESIGN Knowledge concerning the behaviour of materials has always been vital for the success of manufactured products but never more so than at the present time **Industrial Quality Control**, 1956 *Selected Papers from the 2018 IEEE International Workshop on Metrology for the Sea* Attilio Di Nisio, Francesco Picariello, 2020-11-13 This Special Issue is devoted to recent developments in instrumentation and measurement techniques applied to the marine field The sea is the medium that has allowed people to travel from one continent to another using vessels even today despite the use of aircraft It has also been acting as a great reservoir and source of food for all living beings However for many generations it served as a landfill for depositing conventional and nuclear wastes especially in its deep seabeds and we are assisting in a race to exploit minerals and resources different from foods encompassed in it Its health is a great challenge for the survival of all humanity since it is one of the most important environmental components targeted by global warming As everyone may know measuring is a step that generates substantial knowledge about a phenomenon or an asset which is the basis for proposing correct solutions and making proper decisions However measurements in the sea environment pose unique difficulties and opportunities which is made clear from the research results presented in this Special Issue *NBSIR.*, 1974 **The Instrument Manual**, 1953 *International Gear Conference 2014: 26th-28th August 2014, Lyon* Philippe Velex, 2014-09-18 This book presents papers from the International Gear Conference 2014 held in Lyon 26th 28th August 2014 Mechanical transmission components such as gears rolling element bearings CVTs belts and chains are present in every industrial sector and over recent years increasing competitive pressure and environmental concerns have provided an impetus for cleaner more efficient and quieter units Moreover the emergence of relatively new applications such as wind turbines hybrid transmissions and jet engines has led to even more

severe constraints The main objective of this conference is to provide a forum for the most recent advances addressing the challenges in modern mechanical transmissions The conference proceedings address all aspects of gear and power transmission technology and range of applications aerospace automotive wind turbine and others including topical issues such as power losses and efficiency gear vibrations and noise lubrication contact failures tribo dynamics and nano transmissions A truly international contribution with more than 120 papers from all over the world A judicious balance between fundamental research and industrial concerns Participation of the most respected international experts in the field of gearing A wide range of applications in terms of size power speed and industrial sector

Thesaurus of Water Resources Terms United States. Bureau of Reclamation,1971 *Scientific and Technical Aerospace Reports* ,1994 **Tooling** ,1983

Wire & Wire Products ... ,1966-07 **Publications of the National Institute of Standards and Technology ...**

Catalog National Institute of Standards and Technology (U.S.),1993 Quality Today ,1993 **Yojana** ,1975

Appropriate Technology Information for Developing Countries United States. National Technical Information Service,1980

Whispering the Secrets of Language: An Mental Quest through **Metrology Lab Experiments Manual Depth Measuring**

In a digitally-driven earth where screens reign great and instant transmission drowns out the subtleties of language, the profound secrets and mental subtleties concealed within phrases often move unheard. Yet, set within the pages of **Metrology Lab Experiments Manual Depth Measuring** a charming fictional value sporting with organic emotions, lies an exceptional journey waiting to be undertaken. Written by a skilled wordsmith, this wonderful opus attracts readers on an introspective journey, lightly unraveling the veiled truths and profound influence resonating within ab muscles material of each and every word. Within the psychological depths of this poignant review, we shall embark upon a genuine exploration of the book is primary styles, dissect their fascinating writing design, and fail to the powerful resonance it evokes deep within the recesses of readers hearts.

<https://correiodobrasil.blogosfero.cc/files/Resources/index.jsp/Mensenrechten%20Voor%20Armen%20Weggelegd%20Ontwikkeling%20En%20Democratie%20In%20Noord%20Zuid%20Perspectief.pdf>

Table of Contents Metrology Lab Experiments Manual Depth Measuring

1. Understanding the eBook Metrology Lab Experiments Manual Depth Measuring
 - The Rise of Digital Reading Metrology Lab Experiments Manual Depth Measuring
 - Advantages of eBooks Over Traditional Books
2. Identifying Metrology Lab Experiments Manual Depth Measuring
 - Exploring Different Genres
 - Considering Fiction vs. Non-Fiction
 - Determining Your Reading Goals
3. Choosing the Right eBook Platform
 - Popular eBook Platforms
 - Features to Look for in an Metrology Lab Experiments Manual Depth Measuring
 - User-Friendly Interface
4. Exploring eBook Recommendations from Metrology Lab Experiments Manual Depth Measuring

- Personalized Recommendations
 - Metrology Lab Experiments Manual Depth Measuring User Reviews and Ratings
 - Metrology Lab Experiments Manual Depth Measuring and Bestseller Lists
5. Accessing Metrology Lab Experiments Manual Depth Measuring Free and Paid eBooks
 - Metrology Lab Experiments Manual Depth Measuring Public Domain eBooks
 - Metrology Lab Experiments Manual Depth Measuring eBook Subscription Services
 - Metrology Lab Experiments Manual Depth Measuring Budget-Friendly Options
 6. Navigating Metrology Lab Experiments Manual Depth Measuring eBook Formats
 - ePub, PDF, MOBI, and More
 - Metrology Lab Experiments Manual Depth Measuring Compatibility with Devices
 - Metrology Lab Experiments Manual Depth Measuring Enhanced eBook Features
 7. Enhancing Your Reading Experience
 - Adjustable Fonts and Text Sizes of Metrology Lab Experiments Manual Depth Measuring
 - Highlighting and Note-Taking Metrology Lab Experiments Manual Depth Measuring
 - Interactive Elements Metrology Lab Experiments Manual Depth Measuring
 8. Staying Engaged with Metrology Lab Experiments Manual Depth Measuring
 - Joining Online Reading Communities
 - Participating in Virtual Book Clubs
 - Following Authors and Publishers Metrology Lab Experiments Manual Depth Measuring
 9. Balancing eBooks and Physical Books Metrology Lab Experiments Manual Depth Measuring
 - Benefits of a Digital Library
 - Creating a Diverse Reading Collection Metrology Lab Experiments Manual Depth Measuring
 10. Overcoming Reading Challenges
 - Dealing with Digital Eye Strain
 - Minimizing Distractions
 - Managing Screen Time
 11. Cultivating a Reading Routine Metrology Lab Experiments Manual Depth Measuring
 - Setting Reading Goals Metrology Lab Experiments Manual Depth Measuring
 - Carving Out Dedicated Reading Time
 12. Sourcing Reliable Information of Metrology Lab Experiments Manual Depth Measuring

- Fact-Checking eBook Content of Metrology Lab Experiments Manual Depth Measuring
 - Distinguishing Credible Sources
13. Promoting Lifelong Learning
- Utilizing eBooks for Skill Development
 - Exploring Educational eBooks
14. Embracing eBook Trends
- Integration of Multimedia Elements
 - Interactive and Gamified eBooks

Metrology Lab Experiments Manual Depth Measuring Introduction

Free PDF Books and Manuals for Download: Unlocking Knowledge at Your Fingertips In today's fast-paced digital age, obtaining valuable knowledge has become easier than ever. Thanks to the internet, a vast array of books and manuals are now available for free download in PDF format. Whether you are a student, professional, or simply an avid reader, this treasure trove of downloadable resources offers a wealth of information, conveniently accessible anytime, anywhere. The advent of online libraries and platforms dedicated to sharing knowledge has revolutionized the way we consume information. No longer confined to physical libraries or bookstores, readers can now access an extensive collection of digital books and manuals with just a few clicks. These resources, available in PDF, Microsoft Word, and PowerPoint formats, cater to a wide range of interests, including literature, technology, science, history, and much more. One notable platform where you can explore and download free Metrology Lab Experiments Manual Depth Measuring PDF books and manuals is the internet's largest free library. Hosted online, this catalog compiles a vast assortment of documents, making it a veritable goldmine of knowledge. With its easy-to-use website interface and customizable PDF generator, this platform offers a user-friendly experience, allowing individuals to effortlessly navigate and access the information they seek. The availability of free PDF books and manuals on this platform demonstrates its commitment to democratizing education and empowering individuals with the tools needed to succeed in their chosen fields. It allows anyone, regardless of their background or financial limitations, to expand their horizons and gain insights from experts in various disciplines. One of the most significant advantages of downloading PDF books and manuals lies in their portability. Unlike physical copies, digital books can be stored and carried on a single device, such as a tablet or smartphone, saving valuable space and weight. This convenience makes it possible for readers to have their entire library at their fingertips, whether they are commuting, traveling, or simply enjoying a lazy afternoon at home. Additionally, digital files are easily searchable, enabling readers to locate specific information within seconds. With a few keystrokes, users can search for keywords, topics, or phrases, making research and

finding relevant information a breeze. This efficiency saves time and effort, streamlining the learning process and allowing individuals to focus on extracting the information they need. Furthermore, the availability of free PDF books and manuals fosters a culture of continuous learning. By removing financial barriers, more people can access educational resources and pursue lifelong learning, contributing to personal growth and professional development. This democratization of knowledge promotes intellectual curiosity and empowers individuals to become lifelong learners, promoting progress and innovation in various fields. It is worth noting that while accessing free Metrology Lab Experiments Manual Depth Measuring PDF books and manuals is convenient and cost-effective, it is vital to respect copyright laws and intellectual property rights. Platforms offering free downloads often operate within legal boundaries, ensuring that the materials they provide are either in the public domain or authorized for distribution. By adhering to copyright laws, users can enjoy the benefits of free access to knowledge while supporting the authors and publishers who make these resources available. In conclusion, the availability of Metrology Lab Experiments Manual Depth Measuring free PDF books and manuals for download has revolutionized the way we access and consume knowledge. With just a few clicks, individuals can explore a vast collection of resources across different disciplines, all free of charge. This accessibility empowers individuals to become lifelong learners, contributing to personal growth, professional development, and the advancement of society as a whole. So why not unlock a world of knowledge today? Start exploring the vast sea of free PDF books and manuals waiting to be discovered right at your fingertips.

FAQs About Metrology Lab Experiments Manual Depth Measuring Books

What is a Metrology Lab Experiments Manual Depth Measuring PDF? A PDF (Portable Document Format) is a file format developed by Adobe that preserves the layout and formatting of a document, regardless of the software, hardware, or operating system used to view or print it. **How do I create a Metrology Lab Experiments Manual Depth Measuring PDF?** There are several ways to create a PDF: Use software like Adobe Acrobat, Microsoft Word, or Google Docs, which often have built-in PDF creation tools. Print to PDF: Many applications and operating systems have a "Print to PDF" option that allows you to save a document as a PDF file instead of printing it on paper. Online converters: There are various online tools that can convert different file types to PDF. **How do I edit a Metrology Lab Experiments Manual Depth Measuring PDF?** Editing a PDF can be done with software like Adobe Acrobat, which allows direct editing of text, images, and other elements within the PDF. Some free tools, like PDFescape or Smallpdf, also offer basic editing capabilities. **How do I convert a Metrology Lab Experiments Manual Depth Measuring PDF to another file format?** There are multiple ways to convert a PDF to another format: Use online converters like Smallpdf, Zamzar, or Adobe Acrobats export feature to

convert PDFs to formats like Word, Excel, JPEG, etc. Software like Adobe Acrobat, Microsoft Word, or other PDF editors may have options to export or save PDFs in different formats. **How do I password-protect a Metrology Lab Experiments Manual Depth Measuring PDF?** Most PDF editing software allows you to add password protection. In Adobe Acrobat, for instance, you can go to "File" -> "Properties" -> "Security" to set a password to restrict access or editing capabilities. Are there any free alternatives to Adobe Acrobat for working with PDFs? Yes, there are many free alternatives for working with PDFs, such as: LibreOffice: Offers PDF editing features. PDFsam: Allows splitting, merging, and editing PDFs. Foxit Reader: Provides basic PDF viewing and editing capabilities. How do I compress a PDF file? You can use online tools like Smallpdf, ILovePDF, or desktop software like Adobe Acrobat to compress PDF files without significant quality loss. Compression reduces the file size, making it easier to share and download. Can I fill out forms in a PDF file? Yes, most PDF viewers/editors like Adobe Acrobat, Preview (on Mac), or various online tools allow you to fill out forms in PDF files by selecting text fields and entering information. Are there any restrictions when working with PDFs? Some PDFs might have restrictions set by their creator, such as password protection, editing restrictions, or print restrictions. Breaking these restrictions might require specific software or tools, which may or may not be legal depending on the circumstances and local laws.

Find Metrology Lab Experiments Manual Depth Measuring :

[mensenrechten voor armen weggelegd ontwikkeling en democratie in noord zuid perspectief](#)

[mercedes-benz-2015-s1500-owners-manual](#)

mems and microsystems design and manufacture

mercedes 180 190 220 workshop repair service manual

mercedes benz sprinter 2500 repair manual

mercedes benz c230 sport repair manual

mercedes benz e270cdi owners manual 2003

[mercedes benz 203 c coupe technical manual](#)

mercedes benz owners manual spanish

memoirs of a hack mechanic

[memorandum for home language grade 4 2013](#)

[memorias de un solteron](#)

memorandum of egd pat 2014

[mentoring schulen g lcim wingarter](#)

memorex mi4019 blk manual

Metrology Lab Experiments Manual Depth Measuring :

textbook of histology leslie p gartner google books - Jun 12 2023

web mar 24 2020 concise and highly illustrated it functions as both a text and a histology laboratory guide and remains the only histology textbook that includes laboratory

cell biology and histology leslie p gartner james l hiatt - Dec 26 2021

gartner hiatt s atlas and text of histology lww - Jan 07 2023

web oct 29 2022 2020 elsevier in english 0323672728 9780323672726 aaaa not in library libraries near you worldcat 2

textbook of histology 2016 elsevier health

concise histology sciencedirect - May 11 2023

web concise histology by leslie p gartner phd and james l hiatt phd thoroughly reviews all the histology knowledge required for the usmle step 1 in an easy access

textbook of histology by leslie p gartner open library - Nov 05 2022

web leslie p gartner 4 75 4 ratings0 reviews thoroughly updated to reflect all of the latest concepts and advances in the field this concise extensively illustrated text presents the

color atlas of histology third edition gartner leslie - Mar 29 2022

web sep 2 2018 gartner leslie p ed textbook of histology this seventh edition of histology a text and atlas with correlated cell and molecular biology continues its

textbook of histology 4th edition amazon com - Sep 22 2021

textbook of histology e book textbook of histology e book - Feb 08 2023

web oct 12 2012 leslie p gartner james l hiatt lippincott williams wilkins oct 12 2012 medical 512 pages this best selling atlas provides medical dental allied health and

color atlas and text of histology leslie p gartner james l - Dec 06 2022

web this atlas features more than 700 vivid full color and high quality photomicrographs scanning electron micrographs and schematic illustrations to give students the full

color atlas of histology international edition leslie p gartner - Feb 25 2022

web jan 20 2016 gartner is a professor of anatomy ret in the department of biomedical sciences where he has received numerous teaching awards and is the author of

color textbook of histology 3rd edition amazon com - Aug 02 2022

web gartner was the histology consultant to stedman s medical dictionary 28th edition 2006 he also coauthored textbook of neuroanatomy 2nd ed 2016 with maria a

[textbook of histology e book](#) [textbook of histology e book](#) - Jul 13 2023

web nov 20 2015 leslie p gartner elsevier health sciences nov 20 2015 medical 672 pages thoroughly updated to reflect all of the latest concepts and advances in the field

color atlas and text of histology amazon com - Mar 09 2023

web jan 23 2020 leslie p gartner elsevier health sciences jan 23 2020 medical 704 pages textbook of histology 5th edition brings you up to date with all that s new in the

Скачать gartner leslie p ed textbook of histology pdf - Oct 24 2021

download textbook of histology by gartner leslie p - Jan 27 2022

color atlas and text of histology amazon com - Apr 29 2022

web nov 20 2015 leslie p gartner is professor of anatomy in the department of biomedical sciences at the dental school of the university of maryland he has received numerous

textbook of histology 5th edition amazon com - Jul 01 2022

web introduction to histology and basic histological techniques cytoplasm nucleus extracellular matrix epithelium and glands connective tissue cartilage and bone

textbook of histology by leslie p gartner goodreads - Sep 03 2022

web jan 1 2013 with a handy spiral binding that allows ease of use it features a full color art program comprising over 500 high quality photomicrographs scanning electron

color atlas and text of histology 6th edition leslie p gartner - Apr 10 2023

web color atlas and text of histology 6th edition leslie p gartner vs james l hiatt mscambo pdf google drive

textbook of histology gartner phd leslie p - May 31 2022

web cell biology and histology leslie p gartner james l hiatt wolters kluwer health 2015 cytology 432 pages this updated seventh edition of brs cell biology and histology

textbook of histology e book kindle edition by gartner leslie p - Nov 24 2021

color atlas and text of histology leslie p gartner google books - Oct 04 2022

web dec 1 2006 textbook of histology 74 11 20 only 15 left in stock order soon concise current and richly illustrated this one of a kind text encompasses cellular and

textbook of histology edition 5 by leslie p gartner elsevier - Aug 14 2023

web concise and highly illustrated it functions as both a text and a histology laboratory guide and remains the only histology textbook that includes laboratory exercises for nearly

americans are losing faith that inflation will return to normal the - Jan 29 2022

web nov 12 2023 the university of michigan s latest consumer survey released friday showed that americans long run inflation expectations rose to 3 2 this month the highest level

jpmorgan is discussing its generative ai projects with regulators - Jun 02 2022

web nov 9 2023 jpmorgan is testing ai applications that can generate earnings summaries for every company that the bank tracks and helpdesk service that provides exact problem

test bank for federal tax research 12th edition sawyers - Feb 10 2023

web 1 introduction to tax practice and ethics 2 tax research methodology part ii primary sources of federal tax law 3 constitutional and legislative sources 4

federal tax research 12th edition sawyers test bank - May 13 2023

web test bank for federal tax research 12th edition sawyers test bank for federal tax research 12th edition roby b sawyers steven gill isbn 10 0357366387 isbn 13

federal tax research 10th edition sawyers test bank - Apr 12 2023

web federal tax research 10th edition sawyers test bank full download testbanklive com download federal tax research 10th edition sawyers test bank

financial accounting research test bank federal tax research - Mar 11 2023

web feb 28 2022 this test bank and assessment is covering financial accounting research topic which is covered by federal tax research module students with the help of this

tax planning test bank federal tax research teaching - Sep 24 2021

web feb 28 2022 this test bank and assessment is covering tax planning which is covered by federal tax research module students with the help of this test bank set you will

garp s frm exam accredited by singapore s institute of - Jul 03 2022

web jan 7 2021 beginning may 2021 citizens or permanent residents of singapore who pass an frm exam will be eligible for up to 90 funding for a limited period under the ibf

federal tax research 12th edition by sawyers test bank - Aug 04 2022

web test bank for federal tax research 12th edition by roby b sawyers isbn 10 0357366387 isbn 13 9780357366387 instant download

time test p3b yang berlaku efektif bentuk usaha - Mar 31 2022

web 6 months 3 months 12 months *time test p3b yang berlaku efektif bentuk usaha tetap ortax*

test bank for federal tax research testbankati - Jan 09 2023

web testbankati provides a variety of exam materials such as test banks solution manuals case solutions and lecture notes which professors use for class test midterm and final

federal tax research 12th edition by sawyers - Nov 26 2021

web aug 14 2023 download complete pdf test bank for federal tax research 12th edition by sawyers gill cengage gradeslab com shop gl9780357366387tb

iras claiming foreign tax credit - May 01 2022

web for details please refer to foreign tax credit pooling pdf 302kb written notice of downward adjustment of foreign tax with effect from 16 nov 2021 taxpayers including

federal tax research 11th edition sawyers test bank pdf - Aug 16 2023

web mar 30 2017 points 1 difficulty easy question type multiple choice has variables false date created 3 30 2017 11 37 am date modified 4 20 2017

solution manual for federal tax research 12e sawyers - Oct 26 2021

web 1 introduction to tax practice and ethics 2 tax research methodology part ii primary sources of federal tax law 3 constitutional and legislative sources 4

test bank for federal tax research 12th edition sawyers - Sep 17 2023

web download the test bank for federal tax research 12th edition sawyers true false 1 skilled tax research requires a combination of reasoning and

test bank for federal tax research 11e sawyers - Dec 08 2022

web 1 introduction to tax practice and ethics 2 tax research methodology part ii primary sources of federal tax law 3 constitutional and legislative sources 4

new york fed names kartik athreya as director of research and - Feb 27 2022

web nov 15 2023 new york the federal reserve bank of new york today announced that kartik b athreya has been named director of research and head of the research

test bank federal tax research 12th edition by roby sawyers - Oct 18 2023

web aug 23 2021 federal tax research 12th edition by roby sawyers steven gill test bank reviewed updated for 2023 the test

bank borrows from the elaborated text book

federal tax research 11th edition by roby sawyers test bank - Sep 05 2022

web federal tax research 11th edition by roby sawyers test bank 1 the audience for tax research communication is primarily a the client b the practitioner s supervisor c none

iras self review - Aug 24 2021

web checklist for self review of eligibility and declaration on use of self billing form form gov sg jul 2020 3 self review of eligibility to claim bad debt relief doc

federal tax research 11th edition sawyers test bank - Oct 06 2022

web post excerpttest bank for federal tax research 11th edition roby b sawyers steven gill isbn 10 1337282987 isbn 13 9781337282987

test bank download online for federal tax research 12th - Dec 28 2021

web test bank for federal tax research 12th edition sawyers test bank for federal tax research 12th edition roby b sawyers steven gill isbn 10 0357366387 isbn 13

complete test bank federal tax research 12th edition sawyers - Jul 15 2023

web may 26 2023 complete test bank federal tax research 12th edition sawyers questions answers with rationales chapter 1 13 federal tax stuvia us federal

test bank for federal tax research 12e sawyers - Nov 07 2022

web test bank for federal tax research 12th edition roby b sawyers steven gill isbn 10 0357366387 isbn 13 9780357366387

test bank for federal tax research 11th edition by - Jun 14 2023

web sep 7 2023 test bank for federal tax research 11th edition by roby b sawyers steven gill complete guide chapter in the united states the

physical geology by plummer chapter 16 earthquakes - Aug 04 2022

web physical geology by plummer chapter 16 earthquakes flashcards learn test match flashcards learn test match created by babarnett terms in this set 22 earthquake a vibration caused by the sudden breaking or frictional sliding rock in the earth because of a release of energy elastic rebound

test bank for physical geology 15th edition by plummer - Mar 11 2023

web test bank for physical geology 15th edition by plummer chapter 02 atoms elements and minerals link download full testbankfire download test bank for physical geology 15th edition by plummer true false questions a mineral is defined as a crystalline solid that is naturally occurring has a specific chemical composition and forms

physical geology charles c plummer free download borrow - Sep 05 2022

web physical items are owned or controlled by and digitized by internet archive origin organization internet archive page number confidence 92 84 pages 568 ppi 386 related external id urn isbn 0679266763 urn isbn 0697050920 urn lccn 87070729 urn oclc 18261107 urn oclc 423374209 urn oclc 635838146 urn isbn 0071318224 urn lccn 2011043867

[physical geology 15th edition plummer test bank scribd](#) - Jul 15 2023

web of 19 physical geology 15th edition plummer test bank visit to download in full testbankdeal com download physical geology 15th edition plummer test bank fphysical geology 15th edition plummer test bank chapter 02 atoms elements and minerals chapter 02 atoms elements and minerals true false questions 1

[physicalgeologyplummerchapterstest dev2 bryanu](#) - Mar 31 2022

web exploring geology textbook of physical geology california geology exam prep for physical geology by plummer mcgeary carlson 10th ed global resources and the environment rock breaks scissors standard methods for the examination of water and wastewater biostratigraphic and geological significance of planktonic foraminifera

physical geology mcgraw hill - Dec 08 2022

web get the 17e of physical geology by charles carlos plummer diane carlson and lisa hammersley textbook ebook and other options isbn 9781260722246 exam or desk copy platform system check time and geology chapter 9 mass wasting chapter 10 streams and floods chapter 11 groundwater

physical geology 15th edition plummer test bank issuu - Feb 10 2023

web may 13 2018 full file at testbankuniv eu physical geology 15th edition plummer test bank chapter 02 atoms elements and minerals 5 rocks are defined as naturally formed aggregates of minerals or

[physical geology plummer charles c 1937 author free](#) - Jun 14 2023

web 2016 topics rock rocks figure water surface plate chapter sediment minerals sedimentary sea floor plate tectonics sedimentary rock sedimentary rocks sea level

physical geology 15th edition plummer test bank 1 - May 13 2023

web physical geology 15th edition plummer test bank 1 free download as pdf file pdf text file txt or read online for free test bank

physical geology 17th edition solutions and answers quizlet - Apr 12 2023

web now with expert verified solutions from physical geology 17th edition you ll learn how to solve your toughest homework problems our resource for physical geology includes answers to chapter exercises as well as detailed information to walk you through the process step by step

test bank for physical geology 15th edition by charles carlos plummer - Nov 07 2022

web test bank for physical geology 15th edition authored by charles carlos plummer david mcgeary and diane carlson is a

comprehensive collection of test questions designed to assist instructors in assessing students understanding of the subject matter

[test bank for physical geology 15th edition by plummer issuu](#) - Dec 28 2021

web jul 6 2018 test bank for physical geology 15th edition by plummer full clear download no error formatting at [downloadlink.org](#) p test bank for physic

solutions manual for physical geology 15th edition by plummer - Jul 03 2022

web feb 11 2018 plate tectonics is a theory that views the earth s lithosphere as broken into plates that are in motion over partially molten asthenosphere at mid oceanic ridges tectonic plates are diverging as

physical geology 15th edition solutions and answers quizlet - Aug 16 2023

web our resource for physical geology includes answers to chapter exercises as well as detailed information to walk you through the process step by step with expert solutions for thousands of practice problems you can take the guesswork out of studying and move forward with confidence

loading interface goodreads - Jan 29 2022

web discover and share books you love on goodreads

instructor s manual to accompany test bank - Jun 02 2022

web this chapter briefly explains how and why earth s surfaces and its interior are constantly changing it relates this constant change to the major geological topics of interaction of the atmosphere water and rock the modern theory of plate tectonics and geologic time these concepts form a framework for the rest of the book

[physicalgeologyplummerchapterstest download only dev sfcg](#) - May 01 2022

web exam prep for physical geology by plummer mcgeary carlson 10th ed [physicalgeologyplummerchapterstest](#) downloaded from dev sfcg.org by guest villarreal tommy

[physicalgeologyplummerchapterstest 2022 wikimid2 aapg](#) - Feb 27 2022

web study of physical geology geology illustrated sage retaining an inquiry based approach to learning the second canadian edition of physical geology the environment by plummer et al incorporates the rich geology of canada with elaborate examples throughout the text as well as an entire chapter focusing on the geological history of canada

test bank for physical geology 14th edition by plummer issuu - Jan 09 2023

web dec 3 2017 chapter 02 atoms elements and minerals test bank for physical geology 14th edition by plummerfull clear download no error formatting

[physical geology 17th edition plummer test bank](#) - Oct 06 2022

web description test bank for physical geology 17th edition plummer test bank for physical geology 17th edition charles

carlos plummer diane carlson lisa hammersley isbn10 1260722244 isbn13 9781260722246 table of contents chapter 1
introducing geology the essentials of plate tectonics and other important concepts