

JOINT 1

Separation

28 • 01 — 03

Separation of the axle at this point removes the front axle, handpump, oil coolers, radiator and air cleaner assembly.

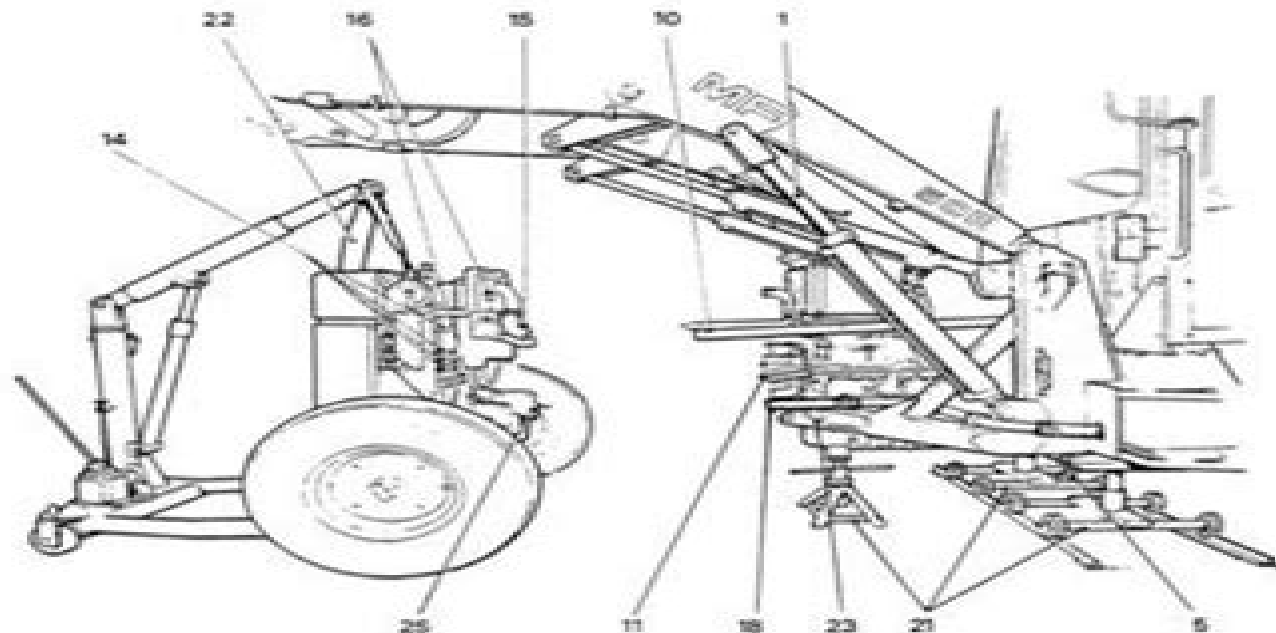
Special tools and equipment

MF 341 hydraulic pump drive shaft remover
50 litre (13 USgal) drain tray (hydraulic oil)
20 litre (5 USgal) drain tray (coolant water)
Screw jacks (three required)
Crane or gantry

Separation

1. Raise loader arms and fit safety frame to left hand lift ram.
2. Stop the engine and depressurize all hydraulic functions.
3. Remove front grille.
4. Remove engine side covers and lower panels. Replace front bolts from lower panels as these retain the handpump to front axle support casting.
5. Drain hydraulic oil.
6. Drain water from cooling system.

7. Disconnect both battery leads and secure them to prevent a short-circuit occurring.
8. Remove air intake pipe and exhaust muffler.
9. Remove 12 bolts and lift off engine top cover.
10. Remove side rail front bolts.
11. Release hydraulic or cooler pipe clips.
12. Mark each hose before disconnection from steering ram.
13. Release hydraulic pump suction hose clips.
14. Release unions on all four oil cooler pipes (transmission and engine oils).
15. Release air intake hose from the engine inlet manifold.
16. Release top and bottom hoses from the radiator.
17. Disconnect hose from hydraulic pump pressure pipe (right hand side).
18. Remove inlet and pressure manifolds then remove the loader hydraulic pump.
19. Use special tool MF 341 to remove the pump drive shaft by turning it clockwise when facing the front of the engine. The crankshaft can be prevented from turning by inserting a bar between the bolt heads on the crankshaft pulley.



Mf 50 H Backhoe Workshop Manual

Christian Drosten



Mf 50 H Backhoe Workshop Manual:

Popular Mechanics ,1987-05 *Popular Mechanics* inspires instructs and influences readers to help them master the modern world Whether it s practical DIY home improvement tips gadgets and digital technology information on the newest cars or the latest breakthroughs in science PM is the ultimate guide to our high tech lifestyle *Popular Mechanics* ,1985-08 *Popular Mechanics* inspires instructs and influences readers to help them master the modern world Whether it s practical DIY home improvement tips gadgets and digital technology information on the newest cars or the latest breakthroughs in science PM is the ultimate guide to our high tech lifestyle **Highways** ,1986 *Popular Mechanics* ,1985-10 *Popular Mechanics* inspires instructs and influences readers to help them master the modern world Whether it s practical DIY home improvement tips gadgets and digital technology information on the newest cars or the latest breakthroughs in science PM is the ultimate guide to our high tech lifestyle *Popular Science* ,1985-10 *Popular Science* gives our readers the information and tools to improve their technology and their world The core belief that *Popular Science* and our readers share The future is going to be better and science and technology are the driving forces that will help make it better *Michigan Roads and Pavements* ,1978 *Popular Mechanics* ,1985-09 *Popular Mechanics* inspires instructs and influences readers to help them master the modern world Whether it s practical DIY home improvement tips gadgets and digital technology information on the newest cars or the latest breakthroughs in science PM is the ultimate guide to our high tech lifestyle *Popular Science* ,1987-02 *Popular Science* gives our readers the information and tools to improve their technology and their world The core belief that *Popular Science* and our readers share The future is going to be better and science and technology are the driving forces that will help make it better *Cars & Parts* ,1985-11 **Focus on Farming** ,1997 **The Excavating Engineer** ,1962 *Progressive Farmer* ,1995 **Michigan Roads & Construction** ,1968-07 **Popular Science** ,2000-05 *Popular Science* gives our readers the information and tools to improve their technology and their world The core belief that *Popular Science* and our readers share The future is going to be better and science and technology are the driving forces that will help make it better **Farmers and Consumers Market Bulletin** ,2008 *Public Works* ,1973 **Popular Science** ,1987 *Construction Equipment and Materials* ,1961 *Pennsylvanian* ,1977 *Moody's International Manual* ,1993

Embark on a breathtaking journey through nature and adventure with Crafted by is mesmerizing ebook, Witness the Wonders in **Mf 50 H Backhoe Workshop Manual** . This immersive experience, available for download in a PDF format (*), transports you to the heart of natural marvels and thrilling escapades. Download now and let the adventure begin!

<https://correiodobrasil.blogosfero.cc/public/virtual-library/Documents/official%20handbook%20of%20the%20marvel%20universe%20master%20edition%203.pdf>

Table of Contents Mf 50 H Backhoe Workshop Manual

1. Understanding the eBook Mf 50 H Backhoe Workshop Manual
 - The Rise of Digital Reading Mf 50 H Backhoe Workshop Manual
 - Advantages of eBooks Over Traditional Books
2. Identifying Mf 50 H Backhoe Workshop Manual
 - Exploring Different Genres
 - Considering Fiction vs. Non-Fiction
 - Determining Your Reading Goals
3. Choosing the Right eBook Platform
 - Popular eBook Platforms
 - Features to Look for in an Mf 50 H Backhoe Workshop Manual
 - User-Friendly Interface
4. Exploring eBook Recommendations from Mf 50 H Backhoe Workshop Manual
 - Personalized Recommendations
 - Mf 50 H Backhoe Workshop Manual User Reviews and Ratings
 - Mf 50 H Backhoe Workshop Manual and Bestseller Lists
5. Accessing Mf 50 H Backhoe Workshop Manual Free and Paid eBooks
 - Mf 50 H Backhoe Workshop Manual Public Domain eBooks
 - Mf 50 H Backhoe Workshop Manual eBook Subscription Services
 - Mf 50 H Backhoe Workshop Manual Budget-Friendly Options

6. Navigating Mf 50 H Backhoe Workshop Manual eBook Formats
 - ePub, PDF, MOBI, and More
 - Mf 50 H Backhoe Workshop Manual Compatibility with Devices
 - Mf 50 H Backhoe Workshop Manual Enhanced eBook Features
7. Enhancing Your Reading Experience
 - Adjustable Fonts and Text Sizes of Mf 50 H Backhoe Workshop Manual
 - Highlighting and Note-Taking Mf 50 H Backhoe Workshop Manual
 - Interactive Elements Mf 50 H Backhoe Workshop Manual
8. Staying Engaged with Mf 50 H Backhoe Workshop Manual
 - Joining Online Reading Communities
 - Participating in Virtual Book Clubs
 - Following Authors and Publishers Mf 50 H Backhoe Workshop Manual
9. Balancing eBooks and Physical Books Mf 50 H Backhoe Workshop Manual
 - Benefits of a Digital Library
 - Creating a Diverse Reading Collection Mf 50 H Backhoe Workshop Manual
10. Overcoming Reading Challenges
 - Dealing with Digital Eye Strain
 - Minimizing Distractions
 - Managing Screen Time
11. Cultivating a Reading Routine Mf 50 H Backhoe Workshop Manual
 - Setting Reading Goals Mf 50 H Backhoe Workshop Manual
 - Carving Out Dedicated Reading Time
12. Sourcing Reliable Information of Mf 50 H Backhoe Workshop Manual
 - Fact-Checking eBook Content of Mf 50 H Backhoe Workshop Manual
 - Distinguishing Credible Sources
13. Promoting Lifelong Learning
 - Utilizing eBooks for Skill Development
 - Exploring Educational eBooks
14. Embracing eBook Trends
 - Integration of Multimedia Elements

- Interactive and Gamified eBooks

Mf 50 H Backhoe Workshop Manual Introduction

In this digital age, the convenience of accessing information at our fingertips has become a necessity. Whether its research papers, eBooks, or user manuals, PDF files have become the preferred format for sharing and reading documents. However, the cost associated with purchasing PDF files can sometimes be a barrier for many individuals and organizations. Thankfully, there are numerous websites and platforms that allow users to download free PDF files legally. In this article, we will explore some of the best platforms to download free PDFs. One of the most popular platforms to download free PDF files is Project Gutenberg. This online library offers over 60,000 free eBooks that are in the public domain. From classic literature to historical documents, Project Gutenberg provides a wide range of PDF files that can be downloaded and enjoyed on various devices. The website is user-friendly and allows users to search for specific titles or browse through different categories. Another reliable platform for downloading Mf 50 H Backhoe Workshop Manual free PDF files is Open Library. With its vast collection of over 1 million eBooks, Open Library has something for every reader. The website offers a seamless experience by providing options to borrow or download PDF files. Users simply need to create a free account to access this treasure trove of knowledge. Open Library also allows users to contribute by uploading and sharing their own PDF files, making it a collaborative platform for book enthusiasts. For those interested in academic resources, there are websites dedicated to providing free PDFs of research papers and scientific articles. One such website is Academia.edu, which allows researchers and scholars to share their work with a global audience. Users can download PDF files of research papers, theses, and dissertations covering a wide range of subjects. Academia.edu also provides a platform for discussions and networking within the academic community. When it comes to downloading Mf 50 H Backhoe Workshop Manual free PDF files of magazines, brochures, and catalogs, Issuu is a popular choice. This digital publishing platform hosts a vast collection of publications from around the world. Users can search for specific titles or explore various categories and genres. Issuu offers a seamless reading experience with its user-friendly interface and allows users to download PDF files for offline reading. Apart from dedicated platforms, search engines also play a crucial role in finding free PDF files. Google, for instance, has an advanced search feature that allows users to filter results by file type. By specifying the file type as "PDF," users can find websites that offer free PDF downloads on a specific topic. While downloading Mf 50 H Backhoe Workshop Manual free PDF files is convenient, its important to note that copyright laws must be respected. Always ensure that the PDF files you download are legally available for free. Many authors and publishers voluntarily provide free PDF versions of their work, but its essential to be cautious and verify the authenticity of the source before downloading Mf 50 H Backhoe Workshop Manual. In conclusion, the internet offers numerous platforms and websites that allow users to download free PDF files legally. Whether its classic

literature, research papers, or magazines, there is something for everyone. The platforms mentioned in this article, such as Project Gutenberg, Open Library, Academia.edu, and Issuu, provide access to a vast collection of PDF files. However, users should always be cautious and verify the legality of the source before downloading Mf 50 H Backhoe Workshop Manual any PDF files. With these platforms, the world of PDF downloads is just a click away.

FAQs About Mf 50 H Backhoe Workshop Manual Books

What is a Mf 50 H Backhoe Workshop Manual PDF? A PDF (Portable Document Format) is a file format developed by Adobe that preserves the layout and formatting of a document, regardless of the software, hardware, or operating system used to view or print it. **How do I create a Mf 50 H Backhoe Workshop Manual PDF?** There are several ways to create a PDF: Use software like Adobe Acrobat, Microsoft Word, or Google Docs, which often have built-in PDF creation tools. Print to PDF: Many applications and operating systems have a "Print to PDF" option that allows you to save a document as a PDF file instead of printing it on paper. Online converters: There are various online tools that can convert different file types to PDF. **How do I edit a Mf 50 H Backhoe Workshop Manual PDF?** Editing a PDF can be done with software like Adobe Acrobat, which allows direct editing of text, images, and other elements within the PDF. Some free tools, like PDFescape or Smallpdf, also offer basic editing capabilities. **How do I convert a Mf 50 H Backhoe Workshop Manual PDF to another file format?** There are multiple ways to convert a PDF to another format: Use online converters like Smallpdf, Zamzar, or Adobe Acrobats export feature to convert PDFs to formats like Word, Excel, JPEG, etc. Software like Adobe Acrobat, Microsoft Word, or other PDF editors may have options to export or save PDFs in different formats. **How do I password-protect a Mf 50 H Backhoe Workshop Manual PDF?** Most PDF editing software allows you to add password protection. In Adobe Acrobat, for instance, you can go to "File" -> "Properties" -> "Security" to set a password to restrict access or editing capabilities. Are there any free alternatives to Adobe Acrobat for working with PDFs? Yes, there are many free alternatives for working with PDFs, such as: LibreOffice: Offers PDF editing features. PDFsam: Allows splitting, merging, and editing PDFs. Foxit Reader: Provides basic PDF viewing and editing capabilities. How do I compress a PDF file? You can use online tools like Smallpdf, ILovePDF, or desktop software like Adobe Acrobat to compress PDF files without significant quality loss. Compression reduces the file size, making it easier to share and download. Can I fill out forms in a PDF file? Yes, most PDF viewers/editors like Adobe Acrobat, Preview (on Mac), or various online tools allow you to fill out forms in PDF files by selecting text fields and entering information. Are there any restrictions when working with PDFs? Some PDFs might have restrictions set by their creator, such as password protection, editing restrictions, or print restrictions. Breaking these restrictions might require specific software or tools, which may or may not be legal depending on the circumstances and

local laws.

Find Mf 50 H Backhoe Workshop Manual :

official handbook of the marvel universe master edition 3

[office home and student 2015 manual owners manual guide](#)

official 2001 2002 club car ds golf car gas and electric service manual

okay i quit now what becoming a re invented alcoholic

old english literature a short introduction

officeready policy manual

official 2009 2011 club car ds golf car maintenance and service manual

[old growth in a new world a pacific northwest icon reexamined](#)

ocr 4724 summer 2013 past paper

oil painting techniques and materials harold speed

ohio medicaid billing manual

oftec technical manuals 1

odyssey study guide questions answers

[official 2007 yamaha yz450fw factory owners service manual](#)

[oklahoma dui defense law practice](#)

Mf 50 H Backhoe Workshop Manual :

descargar pdf thinking physics 3e tr de lewis carroll - Aug 04 2023

web oct 24 2021 name thinking physics 3e tr autor lewis carroll epstein categoria libros juvenil ciencia y tecnología tamaño del archivo 14 mb tipos de archivo pdf document idioma español archivos de estado available download thinking physics 3e tr de lewis carroll epstein ebooks pdf epub

thinking physics 3e tr sam arabtravelers com - May 21 2022

web 2 thinking physics 3e tr 2023 06 07 the members of the organizing committee were yaroslav blanter delft chirstopher glattli saclay and ens paris and r schoelkopf yale the workshop was very successful and we hope that the reader will be satisfied with the scientific level of

thinking physics 3e tr facebook - Feb 15 2022

web thinking physics 3e tr facebook

thinking physics 3e tr najlacnejšie knihy - Dec 28 2022

web thinking physics 3e tr autor lewis carroll epstein lewis carroll epstein lewis carroll epstein explains deep ideas in physics in an easy to understand way thinking physics is a perfect beginner s guide to an amazingly wide range of physics related questions the book targets topics that science teache celý popis darujte ešte dnes

thinking in physics - Sep 24 2022

web the book thinking in physics published by pearson as part of their educational innovation series is intended for instructors only not for students free copies of the book isbn 978 0 13 393889 0 can be obtained by high school or college physics instructors for college instructors by request from the pearson website or for high school

thinking physics 3e tr sam arabtravelers com - Feb 27 2023

web title thinking physics 3e tr download only sam arabtravelers com author moreno taliyah created date 9 21 2023 6 42 14 am

9655 thinking physics 3e tr physik - Mar 19 2022

web mar 22 2012 thinking physics 3e tr lewis carroll epstein autor illustrator 6 neu kaufen eur 26 99 17 angebote ab eur 19 47 in der beliebteste geschenkartikel in physik liste finden sie massgebliche informationen uber die aktuelle rangposition dieses produkts produktinformation amazon verkaufsrank 36936 in bäucher veröffentlicht

thinking physics 3e tr by lewis carroll epstein 1 jun 2002 - Mar 31 2023

web jun 1 2002 thinking physics 3e tr by lewis carroll epstein 1 jun 2002 paperback on amazon com free shipping on qualifying offers thinking physics 3e tr by

thinking physics 3e tr renewalcc com - Sep 05 2023

web 2 thinking physics 3e tr 2022 07 22 introduction to computer programming of scientific applications using the high level python language the exposition is example and problem oriented where the applications are taken from mathematics numerical calculus statistics physics biology and finance the book teaches matlab style and procedural

tyt fizik destek soru bankası ens yayıncılık 9786056719523 - Oct 06 2023

web 2024 model tyt fizik soru bankası Üç dört beş yayınları 287 00 tl 186 50 tl 22446 adet satıldı 2 31

thinking physics 3e tr download only cyberlab sutd edu sg - Jan 29 2023

web thinking physics 3e tr from microphysics to macrophysics apr 25 2022 this popular often cited text returns in a softcover edition to provide a thorough introduction to statistical physics and thermodynamics and to exhibit the universal chain of ideas leading from the laws of microphysics to the macroscopic behaviour of matter

thinking physics 3e tr pantera adecco com - Jul 23 2022

web 2 thinking physics 3e tr 2021 10 31 physics for scientists and engineers sage publications this book provides an introduction to the mathematical and algorithmic foundations of data science including machine learning high dimensional geometry and analysis of large networks topics include the counterintuitive nature of data in high

thinking physics understandable practical reality by epstein - Jul 03 2023

web lewis carroll epstein explains deep ideas in physics in an easy to understand way thinking physics is a perfect beginner s guide to an amazingly wide range of physics related questions the book targets topics that science teachers and students spend time wondering about like wing lift

thinking physics 3e tr nice slideshare - Jun 21 2022

web may 2 2023 detail book title thinking physics 3e tr format pdf kindle epub language english asin 0935218084 paperback 156 pages product dimensions 7 x 0 6 x 9

thinking physics 3e tr seminary fbny org - Apr 19 2022

web 2 thinking physics 3e tr 2021 05 29 thinking physics 3e tr downloaded from seminary fbny org by guest whitney mcdowell information physics and computation springer science business media in this final volume i have tried to present the subject of statistical mechanics in accordance with the basic principles of the series the effort

thinking physics 3e tr sam arabtravelers com - Aug 24 2022

web thinking physics 3e tr 1 thinking physics 3e tr thinking physics 3e tr downloaded from sam arabtravelers com by guest hobbs abigail title thinking physics 3e tr pdf sam arabtravelers com author hobbs abigail created date 9 18 2023 5 51 55 am

thinking physics 3e tr by lewis carroll epstein illustrator - Nov 26 2022

web lewis carroll epstein explains deep ideas in physics in an easy to understand way thinking physics is a perfect beginner s guide to an amazingly wide range of physics related questions the book targets topics that science teachers and students spend time wondering about like wing lift

thinking physics 3e tr thryft - May 01 2023

web lewis carroll epstein explains deep ideas in physics in an easy to understand way thinking physics is a perfect beginner s guide to an amazingly wide range of physics related questions the book targets topics that science teachers and students spend time wondering about like wing lift epstein elucidates the familia

thinking physics understandable practical reality goodreads - Jun 02 2023

web apr 1 1989 372 ratings29 reviews lewis carroll epstein explains deep ideas in physics in an easy to understand way thinking physics is a perfect beginner s guide to an amazingly wide range of physics related questions the book targets topics that science teachers and students spend time wondering about like wing lift

thinking physics 3e tr pdf download free shelbymick - Oct 26 2022

web cambridge igcse physics coursebook with cd rom pdf download cambridge igcse physics laboratory practical book pdf online chemistry the central science plus masteringchemistry with pearson etext pdf download chess mysteries of sherlock holmes pdf complete climate change denial pdf complete

chapter 20 mastery test flashcards quizlet - May 14 2023

web biology anatomy chapter 20 mastery test 5 0 1 review the organ s of the urinary system whose primary function is transport of urine is are the click the card to flip urethra ureters click the card to flip 1 46 flashcards learn test

anatomy and physiology quiz the urinary system proprofs - Oct 07 2022

web may 29 2023 welcome to this anatomy and physiology quiz on the urinary system the urinary system is charged with the production of urine which helps in excreting waste thanks to the kidney it is quite normal for people to live on one kidney if they choose to donate it or one fails

introductory urinary system quiz practice khan academy - Feb 11 2023

web introductory urinary system quiz google classroom the infant in the image below is a female during potty training trace the flow of urine from the baby s kidneys through her urinary tract not all of the terms must be utilized in the final answer renal pelvis

urinary system mastery test answers pdf videos bookbrush - Jun 03 2022

web urinary system potential test questions answer key urinary system multi pal choice questions nursing exam paper chapter 20 21 mastery test science flashcards quizlet

renal sonosim for renal and renal anatomy physiology quizlet - Aug 05 2022

web c the kidney s long axis does not align with or run parallel to the coronal plane of the body which of the following statements about sonographic renal anatomy is correct a both kidneys are located in the retroperitoneal space b the superior poles of the kidneys are located below the costal margins c the kidney s long axis does not

urinary system quiz teaching resources tpt - Sep 06 2022

web this quiz can be used as an assessment tool during a unit on the kidneys and the urinary system on this quiz students are provided two diagrams one of the urinary system and one of the internal structure of the kidney

urinary system test quizzes questions answers proprofs - Mar 12 2023

web mar 22 2023 the quizzes also delve into urinary system disorders such as urinary tract infections kidney stones and kidney disease exploring their causes symptoms and treatment options educators can use our quizzes as a valuable teaching tool to engage students in physiology and anatomy courses and foster a deeper appreciation for the

core clinical renal sonosim flashcards quizlet - Jul 04 2022

web the renal sinus is highly echogenic but anechoic areas will be seen within it when it fills with urine there is no role for using a low frequency phased array transducer in renal sonography false imaging the right kidney is

40 urinary system quizzes questions answers trivia proprofs - Jun 15 2023

web sep 11 2023 test your urinary tract infection knowledge trivia quiz urinary tract infection is contamination in any part of your urinary systems such as your kidneys ureters bladder and urethra most infections involved in the lower urinary tract are in the bladder and the urethra

urinary system practice test questions chapter exam - Jan 10 2023

web test and improve your knowledge of urinary system with fun multiple choice exams you can take online with study com *chapter 20 urinary system flashcards quizlet* - Jul 16 2023

web book hole s 12th edition human anatomy and physiology chapter 20 urinary system based off of lectures performed by j bieszke summer ii 2013 access accessible by anyone editable by chinisu terms in this set 98

anatomy physiology of the urinary system chapter exam - Nov 08 2022

web test and improve your knowledge of anatomy physiology of the urinary system with fun multiple choice exams you can take online with study com

urinary system mastery test answers copy - May 02 2022

web urinary system mastery test answers starting the urinary system mastery test answers to open every day is agreeable for many people however there are still many people who furthermore don t with reading this is a problem but taking into account you can hold others to start reading it will

urinary system mastery test answers - Apr 01 2022

web test prep 2016 10 04 kaplan s oat 2017 2018 strategies practice review provides the content review test taking strategies and realistic practice you need to get the oat results you want updated for the latest test changes oat 2017 2018 is your guide to facing test day with confidence the best review two full length online practice

urinary system quizzes study com - Apr 13 2023

web quizzes 18 organs of the urinary system view quiz secondary endocrine functions hormones view quiz urinary system quiz worksheet for kids view quiz urine formation view

urinary system anatomy quiz proprofs quiz - Dec 09 2022

web sep 11 2023 the correct answer is ureters ureters are thin tubes that carry urine from the kidneys to the bladder they play a crucial role in the urinary system by transporting urine which is produced in the kidneys to the bladder for storage until it is eliminated from the body rate this question 8

chapter 20 21 mastery test flashcards quizlet - Sep 18 2023

web study with quizlet and memorize flashcards containing terms like the organs of the urinary system whose primary function is transport of urine are the kidneys are located the superior end of the ureters is expanded to form [urinary system mastery test answers help discoveram](#) - Jan 30 2022

web jun 10 2023 urinary system mastery test answers and numerous books archives from fictions to scientific investigation in any way along with tutorials you could relish the now is urinary system mastery test answers below it will exceedingly simplicity you to see manual urinary system mastery test answers as you such as you can acquire it [urinary system mastery test answers secure4 khronos](#) - Feb 28 2022

web implement the urinary system mastery test answers it is thoroughly easy then currently we extend the associate to buy and create bargains to download and configure urinary system mastery test answers therefore basic in the direction of them is this urinary system mastery test answers that can be your colleague thanks for

urinary system quiz questions and answers proprofs quiz - Aug 17 2023

web may 17 2023 to check your knowledge about the topic take this urinary system quiz the functioning of the urinary system involves selected organs but the main one is the kidney test out what you know about the urinary system by taking this quiz if you can't answer any of the questions you can learn something new

[70 recettes faciles pour tous les jours blog de châtaigne](#) - Apr 30 2022

web 70 recettes faciles pour tous les jours voilà depuis le début de la semaine le mot confinement est sur toute les lèvres et même si la période qui se profile ne s'annonce pas des plus joyeuses aujourd'hui je te propose 70 recettes faciles pour tous les jours

[15 recettes pour tous les jours à préparer en 10 minutes](#) - Jul 14 2023

web alors pour les plus pressés nous avons réuni ici une sélection de recettes pour tous les jours à préparer en 10 minutes seulement quiche lorraine salade de pâtes fricassée de

page d accueil ma cuisine de tous les jours - Jan 28 2022

web végane à petit budget vous proposera 90 recettes succulentes et simplissimes afin de vous faire découvrir les protéines végétales à petit prix recettes par catégories entrées pains bonjour

cuisine actuelle toutes vos recettes de cuisine - Dec 07 2022

web les événements cuisine actuelle passion barbecue spécial brunch nos recettes express nos meilleures recettes en direct d'italie plus d'événements

[monsieur cuisine 100 recettes inratables pour tous les jours](#) - Aug 03 2022

web feb 12 2020 un cake à partager à l'apéro un risotto pour un dîner entre amis une soupe pour un soir d'hiver une préparation pour un gâteau retrouvez dans ce livre toutes les meilleures recettes du robot lidl la garantie d'un repas

délicieux sain et simple à préparer

100 recettes pour tous les jours cuisine actuelle - Aug 15 2023

web aug 30 2018 100 recettes pour tous les jours voir les photos qu est ce qu on mange ce soir une quiche des boulettes de viande un gratin de macaronis et en dessert on peut faire des crêpes pour vous inspirer piochez dans notre top 100 des recettes faciles à faire pour tous les jours

liste de recettes ma cuisine de tous les jours - Jun 01 2022

web liste de recettes déjeuners l ultime muffin aux pépites de chocolat noix et avoine l ultime muffin aux pépites de chocolat noix et avoine ces muffins aux pépites de chocolat noix et avoine sont une recette de mon enfance ma mère en faisait 24 par semaine et là vous vous dites 24

idées de repas pour cuisiner tous les jours de la semaine voici - Mar 30 2022

web sep 4 2023 une soupe à l oignon des spaghetti à la carbonara des roulés de saucisses des pommes de terre sautées une salade tomate mozzarella des poivrons farcis au riz un curry

ma cuisine turque tout mon univers culinaire à travers mes recettes - Apr 11 2023

web sep 5 2023 bienvenue sur macuisineturque pour découvrir la recette des biscuits sablés à l orange si jusqu ici vous n arriviez pas à trouver des recettes turques faciles à faire et en français vous venez de tomber sur le blog de cuisine turque

cuisine du monde 20 idées de recettes faciles et délicieuses - Feb 26 2022

web jan 10 2022 je partage sur ce blog mes idées de repas mes recettes quotidiennes ainsi que mes tests et découvertes dans le monde la cuisine de la gourmandise et de la bonne chère ma cuisine est à la portée de toutes et tous et mes recettes sont expliquées étape par étape et image par image

recettes turques le top des meilleures spécialités cuisine az - Nov 06 2022

web l agneau et le poisson sont très prisés dans ce pays mais ils peuvent s avérer chers une grande assiette de mezze hors d œuvres variés peut constituer à elle seule un excellent repas l aubergine est le légume phare en turquie il est l ingrédient local l imam bayildi

recettes faciles ces repas simples et bons journal des - Jul 02 2022

web voici une sélection de 50 recettes savoureuses et faciles à réaliser ici régalez les convives avec des recettes rapides et gourmandes optez en plat de résistance pour un risotto prêt en 30 minutes et en dessert choisissez un tiramisu à la framboise piochez dans nos recettes et régalez vous recettes hivernales recettes pour pique nique

recettes les meilleures recettes de cuisine recette classique - Mar 10 2023

web les recettes les plus recherchées par les internautes par type de plat entrées plats desserts amuses bouches sauces accompagnements boissons entrée

mes meilleures recettes faciles bienvenue dans la cuisine de - Sep 04 2022

web voici mes petites idées de la semaine vous trouverez aisément les recettes sur le blog en utilisant l onglet recherche mais si ce n est pas le cas demandez moi en commentaires je me ferais un plaisir de vous aider

cuisine az recettes de cuisine de a à z - Jan 08 2023

web plus de 80 000 recettes faciles et rapides pour vous inspirer en cuisine un goûter maison pour nos petits champions cette année fini les encas industriels surprenez vos bambins en leur préparant leurs biscuits favoris maison cookies madeleines ou petits beurre home made si c est pas une preuve d amour ça

monsieur cuisine 21 recettes pour tous les jours marmiton - May 12 2023

web jan 21 2021 menu de la semaine recettes de saison recettes par thème recettes par ingrédient top des recettes les grands classiques nouveautés proposer une recette

15 plats faciles pour tous les jours recette 1 cuisine az - Feb 09 2023

web la solution des recettes faciles à cuisiner à conjuguer et à combiner pour tous les jours vous en avez gros sur le torchon lâchez du lest zappez les plats trop longs et trop compliqués préparez vous plutôt une liste de menus malins qui se mitonnent en un tour de main avec les ingrédients du placard

tous les jours de nouvelles recettes de cuisine ptitchef - Oct 05 2022

web avec ptitchef retrouvez tous les jours de nouvelles recettes de cuisine plus de 60 000 recettes pour tous les goûts en photo en vidéo et pas à pas un

50 recettes de plats pour tous les jours cuisine actuelle - Jun 13 2023

web 50 recettes de plats pour tous les jours quiche lorraine sans pâte recette de la quiche lorraine voir la recette de la quiche lorraine sans pâte photo 1 50 radvaner sucré salé boulettes de porc au curry recette des boulettes de lire la recette des boulettes de porc au curry photo 2 50 guedes sucré salé

idées de repas recettes de tous les jours swissmilk - Dec 27 2021

web tomates poivrons brocoli courgettes trouvez l inspiration jour après jour parmi nos recettes au doux parfum d été nous cuisiner local de saison recettes d été rapides max 40 minutes ode aux fruits rouges recettes aux courgettes