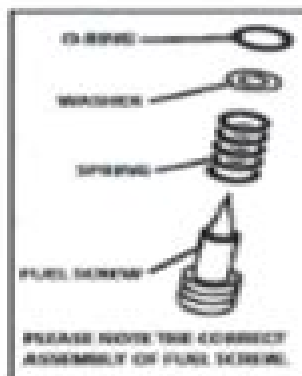
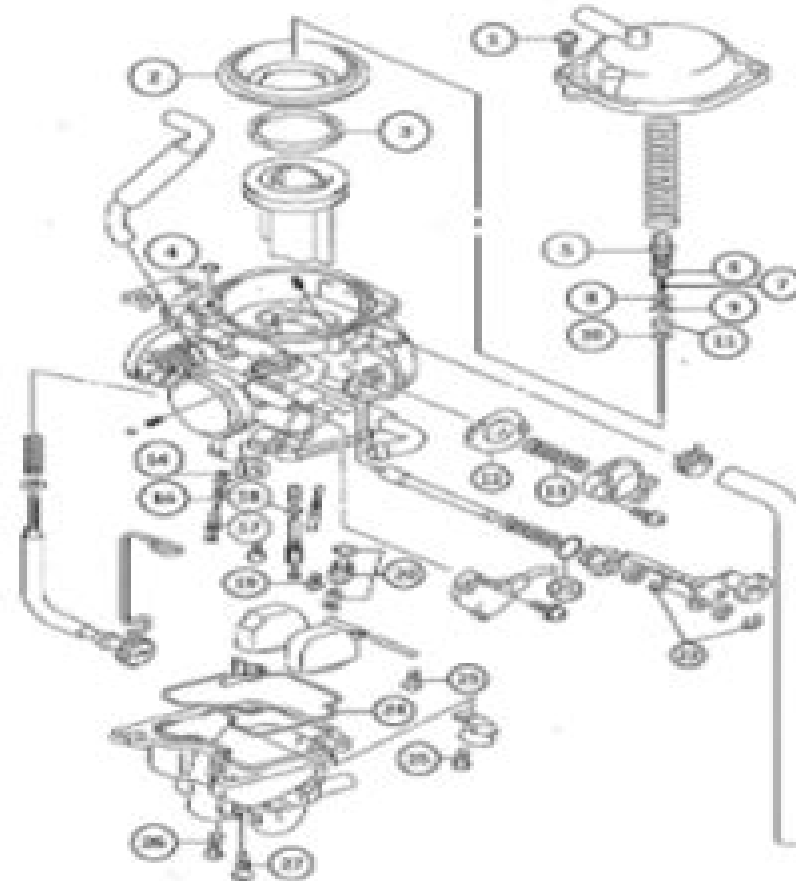


ITEM	Qty	DESCRIPTION
1	2	SCREW
2	1	DIAPHRAGM
3	1	RING
4	1	O-RING
5	1	HOLDER
6	1	O-RING
7	1	COMPRESSION SPRING
8	1	WASHER
9	1	E-CLIP
10	1	RING
11	1	WASHER
12	1	DIAPHRAGM
13	1	SPRING
14	1	O-RING
15	1	WASHER
16	1	SPRING
17	1	FUEL SCREW
18	1	O-RING
19	1	SCREW
20	1	FLOAT VALVE ASSY
21	1	O-RING
22	2	E-RINGS
23	1	SCREW
24	1	O-RING
25	1	SCREW
26	3	SCREW
27	1	SCREW

MK-BSR36-34
 Suzuki Application:
 2000-2017 DRZ400 E/S/SM



****REPLACEMENT JET NOTE**

Due to varying model requirements, this kit does not include main or pilot jets
 if needed, refer to the following Mikuni Part numbers when acquiring these jets:
 Main Jet: N10223-XXXX
 Pilot Jet: N224303-XXXX

Mikuni Bsr36 Workshop Manual

Jicheng Xie



Mikuni Bsr36 Workshop Manual:

Suzuki SJ Series & Vitara Owners Workshop Manual Bob Henderson, A. K. Legg, 1994 **Suzuki 380 and 550 Owners Workshop Manual** George Collett, 1975 Suzuki GT, ZR & TS50 Jeremy Churchill, 1984 **Suzuki Student Owners Workshop Manual** Stewart Wilkins, 1976-01-01 Veloce Suzuki T20 & T200 1965-1969 Factory Workshop Manual Floyd Clymer, Velocepress, 2009-06-01 A faithful reproduction of the 1970 Floyd Clymer publication of the official factory Suzuki Workshop Manual for the T20 and T200 series of motorcycles including the 250cc Super Six and X6 Hustler and the 200cc X5 Invader and Sting Ray Scrambler There are comprehensive tables of technical data tolerances and fits and all of the expected data from a factory publication for the repair and overhaul of all major and minor mechanical and electrical components making it an invaluable resource for collectors and restorers of these classic Suzuki motorcycles There are 177 illustrations and each procedure is explained in a step by step method using an appropriate illustration The translation from Japanese to English is at times a little quirky but the illustrations make up for any difficulty in understanding what needs to be done Out of print and unavailable for many years this book is highly sought after on the secondary market and we are pleased to be able to offer this reproduction as a service to all Suzuki enthusiasts worldwide *Suzuki FZ50 Suzy Owners Workshop Manual* Martyn Meek, Pete Shoemark, 1987 *Suzuki Trail Bikes Owners Workshop Manual* Mansur Darlington, 1975 *Suzuki FZ50* Martin Meek, 1980 **Suzuki GT, ZR & TS50 Owners Workshop Manual** Jeremy Churchill, 1986 *Suzuki Trail Bikes Owners Workshop Manual* Chris Rogers (Writer on automotive engineering), 1982

Suzuki Trail Bikes Owners Workshop Manual Chris Rogers, 1982-01-01 **BMW Motorcycles Workshop Manual R50 R50S R60 R69S** Floyd Clymer, 2007-03 A faithful reproduction of the 1967 Floyd Clymer publication of the official factory BMW Bayerische Motoren Werke Workshop Manual for the R50 R50S R60 and R69S twin cylinder motorcycles It also includes the supplement issued by the factory for the USA versions R50US R60US and R69US There are exhaustive tables of technical data tolerances and fits and all of the expected data from a factory publication for the repair and overhaul of all major and minor mechanical and electrical components making it an invaluable resource for collectors and restorers of these classic BMW motorcycles There are 257 illustrations and each procedure is explained in a step by step method using an appropriate illustration The translation from German to English is at times a little quirky but the profuse illustrations make up for any difficulty in understanding what needs to be done True to the original this reproduction is published in four languages English German French and Spanish making this a universal publication and required reading for any owner Out of print and unavailable for many years this book is highly sought after on the secondary market and we are pleased to be able to offer this reproduction as a service to all BMW enthusiasts worldwide **Suzuki GS1000 Fours Owners Workshop Manual No. 484** John Haynes, 1988-03-31 With a Haynes manual you can do it yourself from simple maintenance to basic repairs Haynes writes every book based on a complete teardown of the motorcycle We learn the best ways to do a

job and that makes it quicker easier and cheaper for you Our books have clear instructions and plenty of photographs that show each step Whether you re a beginner or a pro you can save big with Haynes Step by step procedures Easy to follow photos Complete troubleshooting section Valuable short cuts Color spark plug diagnosis Complete coverage for your Suzuki GS1000 covering all GS1000 Four models for 1977 to 1979 Routine Maintenance Tune up procedures Engine repair Cooling and heating system Fuel and exhaust Emissions control Ignition and electrical systems Brakes wheels and tires Steering suspension and final drive Frame and bodywork Wiring diagrams

Suzuki GS & DR125 Singles Owners Workshop Manual Jeremy Churchill,Pete Shoemark,1988-01-01 *Suzuki T10 1963-1967 Factory Workshop Manual* Floyd Clymer,Velocepress,2009-06-01 A faithful reproduction of the 1970 Floyd Clymer publication of the official factory Suzuki Workshop Manual for the T10 250cc series of motorcycles It also includes the supplement issued by the factory for the later models of this series There are comprehensive tables of technical data tolerances and fits and all of the expected data from a factory publication for the repair and overhaul of all major and minor mechanical and electrical components making it an invaluable resource for collectors and restorers of these classic Suzuki motorcycles There are 190 illustrations and each procedure is explained in a step by step method using an appropriate illustration The translation from Japanese to English is at times a little quirky but the illustrations make up for any difficulty in understanding what needs to be done Out of print and unavailable for many years this book is highly sought after on the secondary market and we are pleased to be able to offer this reproduction as a service to all Suzuki enthusiasts worldwide

BSA Bantam Owners Workshop Manual Jeff Clew,1973 [Suzuki RM Motocross Owners Workshop Manual ...](#) Pete Shoemark,1980-01-01 **Suzuki TS, ZR & GT50 Owners Workshop Manual** Jeremy Churchill,1983-01-01 **Ariel Motorcycles Workshop Manual 1933-1951** F. Clymer,C. Waller,2007-07-01 200 pages 60 illustrations size 5 5 x 8 5 inches A faithful reproduction of the Floyd Clymer publication of the third edition 1952 of the C W Waller Workshop Manual for all models of Ariel motorcycles built between 1933 and 1951 Includes complete technical data service and maintenance information and comprehensive detailed instructions for the repair and overhaul of all major and minor mechanical and electrical components making it an invaluable resource for collectors and restorers of these classic motorcycles There are separate sections that deal with the repair and overhaul procedures for the engine transmission wheels and brakes front forks frame and carburetor plus a detailed electrical service section This is a must have reference for any Ariel enthusiast and would certainly assist in helping any potential purchaser better understand the inner workings prior purchasing of one of these classic motorcycles Applicable To The Following Models Four cylinder 4 F 600cc OHC 4 F 600cc OHV 4 G 1 000cc OHV Cast Iron Light Alloy Twin cylinder 500cc OHV models KG KH Single cylinder 600cc SV model VB 500cc OHV models VG VH 350cc OHV models NH NG 250cc OHV models OH OG LG LH Much of the data is also applicable to later models that utilize these same engines Out of print and unavailable for many years this book is becoming increasingly more difficult to find on the secondary market and we are

pleased to be able to offer this reproduction as a service to all Ariel enthusiasts worldwide
Gs425 Twins Owners' Workshop Manual, 1976 On Mansur Darlington,1977-01-01

Haynes Suzuki Gs400 and

This is likewise one of the factors by obtaining the soft documents of this **Mikuni Bsr36 Workshop Manual** by online. You might not require more time to spend to go to the ebook instigation as competently as search for them. In some cases, you likewise complete not discover the declaration Mikuni Bsr36 Workshop Manual that you are looking for. It will unconditionally squander the time.

However below, next you visit this web page, it will be fittingly certainly simple to get as well as download guide Mikuni Bsr36 Workshop Manual

It will not admit many mature as we run by before. You can get it while show something else at home and even in your workplace. in view of that easy! So, are you question? Just exercise just what we present below as capably as review **Mikuni Bsr36 Workshop Manual** what you later to read!

https://correiodobrasil.blogosfero.cc/results/uploaded-files/Documents/Pdms_Cable_Tray_Training_Manual.pdf

Table of Contents Mikuni Bsr36 Workshop Manual

1. Understanding the eBook Mikuni Bsr36 Workshop Manual
 - The Rise of Digital Reading Mikuni Bsr36 Workshop Manual
 - Advantages of eBooks Over Traditional Books
2. Identifying Mikuni Bsr36 Workshop Manual
 - Exploring Different Genres
 - Considering Fiction vs. Non-Fiction
 - Determining Your Reading Goals
3. Choosing the Right eBook Platform
 - Popular eBook Platforms
 - Features to Look for in an Mikuni Bsr36 Workshop Manual
 - User-Friendly Interface
4. Exploring eBook Recommendations from Mikuni Bsr36 Workshop Manual

- Personalized Recommendations
 - Mikuni Bsr36 Workshop Manual User Reviews and Ratings
 - Mikuni Bsr36 Workshop Manual and Bestseller Lists
5. Accessing Mikuni Bsr36 Workshop Manual Free and Paid eBooks
 - Mikuni Bsr36 Workshop Manual Public Domain eBooks
 - Mikuni Bsr36 Workshop Manual eBook Subscription Services
 - Mikuni Bsr36 Workshop Manual Budget-Friendly Options
 6. Navigating Mikuni Bsr36 Workshop Manual eBook Formats
 - ePub, PDF, MOBI, and More
 - Mikuni Bsr36 Workshop Manual Compatibility with Devices
 - Mikuni Bsr36 Workshop Manual Enhanced eBook Features
 7. Enhancing Your Reading Experience
 - Adjustable Fonts and Text Sizes of Mikuni Bsr36 Workshop Manual
 - Highlighting and Note-Taking Mikuni Bsr36 Workshop Manual
 - Interactive Elements Mikuni Bsr36 Workshop Manual
 8. Staying Engaged with Mikuni Bsr36 Workshop Manual
 - Joining Online Reading Communities
 - Participating in Virtual Book Clubs
 - Following Authors and Publishers Mikuni Bsr36 Workshop Manual
 9. Balancing eBooks and Physical Books Mikuni Bsr36 Workshop Manual
 - Benefits of a Digital Library
 - Creating a Diverse Reading Collection Mikuni Bsr36 Workshop Manual
 10. Overcoming Reading Challenges
 - Dealing with Digital Eye Strain
 - Minimizing Distractions
 - Managing Screen Time
 11. Cultivating a Reading Routine Mikuni Bsr36 Workshop Manual
 - Setting Reading Goals Mikuni Bsr36 Workshop Manual
 - Carving Out Dedicated Reading Time
 12. Sourcing Reliable Information of Mikuni Bsr36 Workshop Manual

- Fact-Checking eBook Content of Mikuni Bsr36 Workshop Manual
 - Distinguishing Credible Sources
13. Promoting Lifelong Learning
- Utilizing eBooks for Skill Development
 - Exploring Educational eBooks
14. Embracing eBook Trends
- Integration of Multimedia Elements
 - Interactive and Gamified eBooks

Mikuni Bsr36 Workshop Manual Introduction

In the digital age, access to information has become easier than ever before. The ability to download Mikuni Bsr36 Workshop Manual has revolutionized the way we consume written content. Whether you are a student looking for course material, an avid reader searching for your next favorite book, or a professional seeking research papers, the option to download Mikuni Bsr36 Workshop Manual has opened up a world of possibilities. Downloading Mikuni Bsr36 Workshop Manual provides numerous advantages over physical copies of books and documents. Firstly, it is incredibly convenient. Gone are the days of carrying around heavy textbooks or bulky folders filled with papers. With the click of a button, you can gain immediate access to valuable resources on any device. This convenience allows for efficient studying, researching, and reading on the go. Moreover, the cost-effective nature of downloading Mikuni Bsr36 Workshop Manual has democratized knowledge. Traditional books and academic journals can be expensive, making it difficult for individuals with limited financial resources to access information. By offering free PDF downloads, publishers and authors are enabling a wider audience to benefit from their work. This inclusivity promotes equal opportunities for learning and personal growth. There are numerous websites and platforms where individuals can download Mikuni Bsr36 Workshop Manual. These websites range from academic databases offering research papers and journals to online libraries with an expansive collection of books from various genres. Many authors and publishers also upload their work to specific websites, granting readers access to their content without any charge. These platforms not only provide access to existing literature but also serve as an excellent platform for undiscovered authors to share their work with the world. However, it is essential to be cautious while downloading Mikuni Bsr36 Workshop Manual. Some websites may offer pirated or illegally obtained copies of copyrighted material. Engaging in such activities not only violates copyright laws but also undermines the efforts of authors, publishers, and researchers. To ensure ethical downloading, it is advisable to utilize reputable websites that prioritize the legal distribution of content. When downloading Mikuni Bsr36 Workshop Manual, users should also consider the potential security risks associated with online

platforms. Malicious actors may exploit vulnerabilities in unprotected websites to distribute malware or steal personal information. To protect themselves, individuals should ensure their devices have reliable antivirus software installed and validate the legitimacy of the websites they are downloading from. In conclusion, the ability to download Mikuni Bsr36 Workshop Manual has transformed the way we access information. With the convenience, cost-effectiveness, and accessibility it offers, free PDF downloads have become a popular choice for students, researchers, and book lovers worldwide. However, it is crucial to engage in ethical downloading practices and prioritize personal security when utilizing online platforms. By doing so, individuals can make the most of the vast array of free PDF resources available and embark on a journey of continuous learning and intellectual growth.

FAQs About Mikuni Bsr36 Workshop Manual Books

What is a Mikuni Bsr36 Workshop Manual PDF? A PDF (Portable Document Format) is a file format developed by Adobe that preserves the layout and formatting of a document, regardless of the software, hardware, or operating system used to view or print it. **How do I create a Mikuni Bsr36 Workshop Manual PDF?** There are several ways to create a PDF: Use software like Adobe Acrobat, Microsoft Word, or Google Docs, which often have built-in PDF creation tools. Print to PDF: Many applications and operating systems have a "Print to PDF" option that allows you to save a document as a PDF file instead of printing it on paper. Online converters: There are various online tools that can convert different file types to PDF. **How do I edit a Mikuni Bsr36 Workshop Manual PDF?** Editing a PDF can be done with software like Adobe Acrobat, which allows direct editing of text, images, and other elements within the PDF. Some free tools, like PDFescape or Smallpdf, also offer basic editing capabilities. **How do I convert a Mikuni Bsr36 Workshop Manual PDF to another file format?** There are multiple ways to convert a PDF to another format: Use online converters like Smallpdf, Zamzar, or Adobe Acrobats export feature to convert PDFs to formats like Word, Excel, JPEG, etc. Software like Adobe Acrobat, Microsoft Word, or other PDF editors may have options to export or save PDFs in different formats. **How do I password-protect a Mikuni Bsr36 Workshop Manual PDF?** Most PDF editing software allows you to add password protection. In Adobe Acrobat, for instance, you can go to "File" -> "Properties" -> "Security" to set a password to restrict access or editing capabilities. Are there any free alternatives to Adobe Acrobat for working with PDFs? Yes, there are many free alternatives for working with PDFs, such as: LibreOffice: Offers PDF editing features. PDFsam: Allows splitting, merging, and editing PDFs. Foxit Reader: Provides basic PDF viewing and editing capabilities. How do I compress a PDF file? You can use online tools like Smallpdf, ILovePDF, or desktop software like Adobe Acrobat to compress PDF files without significant quality loss. Compression reduces the file size, making it easier to share and download. Can I fill out forms in a PDF file? Yes, most PDF viewers/editors like Adobe

Acrobat, Preview (on Mac), or various online tools allow you to fill out forms in PDF files by selecting text fields and entering information. Are there any restrictions when working with PDFs? Some PDFs might have restrictions set by their creator, such as password protection, editing restrictions, or print restrictions. Breaking these restrictions might require specific software or tools, which may or may not be legal depending on the circumstances and local laws.

Find Mikuni Bsr36 Workshop Manual :

[pdms cable tray training manual](#)

pearson psychological testing study guide answer key

pearson catalyst principles of chemistry lab manual

pearson pre algebra five checkpoint quiz

~~pearson vue microbiology test~~

~~peak performance a nutritional guide & proven practices for enhanced athletic performance~~

[pdf to word document free](#)

pdf solutions manual for analysis synthesis and design of chemical processes download

pendentif einfache geschichten auf franz sisch

~~peinlichkeit funktionen kommunikativ konstruierten ph nomens~~

pearson nes study guide

pdf repair manual mx5 miata

[pearson physical science workbook chapter17](#)

[pdf to words converter](#)

~~peacekeeping fiascoes of the 1990s causes solutions and us interests~~

Mikuni Bsr36 Workshop Manual :

[how to grow a survival garden do you have what it takes - Aug 23 2021](#)

revive your garden how to bring your outdoor space - Jul 22 2021

revive your garden how to bring your outdoor space back to life - Jan 08 2023

web *revive your garden how to bring your outdoor space back to life by nick bailey at abebooks co uk isbn 10 0857834320*

isbn 13 9780857834324 kyle books 2018

revive your garden how to bring your outdoor space - Jul 14 2023

web buy revive your garden how to bring your outdoor space back to life by nick bailey isbn 9780857834324 from amazon s book store everyday low prices and free

revive your garden how to bring your outdoor space back to life - Feb 09 2023

web apr 26 2018 in his excellent and information packed new book revive your garden bailey shares his tips for container plants perfect for time poor

revive your garden how to bring your outdoor space back to life - Aug 03 2022

web amazon in buy revive your garden how to bring your outdoor space back to life book online at best prices in india on amazon in read revive your garden how to bring

revive your garden how to bring your outdoor space back to life - Apr 11 2023

web apr 26 2018 in his excellent and information packed new book revive your garden bailey shares his tips for container plants perfect for time poor distracted londoners

revive your garden how to bring your outdoor spac - Jan 28 2022

web sep 14 2023 experts advise these seven ways to revamp your outdoor space to maximize year round enjoyment 1 improve lighting add lighting to an exterior living

revive your garden how to bring your outdoor space back to life - Mar 30 2022

web plant the garden of your dreams and transform your outdoor space with award winning royal horticultural society garden design experts whether you re looking to revive a

revive your garden how to bring your outdoor space back to life - Sep 04 2022

web description a practical and inspirational guide for anyone who wants to bring their garden back to life whether it s a long standing plot that has become tired and unloved or a

revive your garden how to bring your outdoor spac 2022 - Nov 25 2021

web here are some common causes of garden failure with tips and advice on how to revive your struggling back yard treasures problem 1 too much not enough a catch

revive your garden how to bring your outdoor space back to life - Jul 02 2022

web a practical and inspirational guide for anyone who wants to bring their garden back to life whether it s a long standing plot that has become tired and unloved or a newly acquired

revive your garden how to bring your outdoor space back to life - Dec 07 2022

web mar 19 2019 his advice will include all the vital steps beginning with assessing and understanding your site and

progressing through the pruning and layering of existing

revive your garden how to bring your outdoor space - Jun 13 2023

web apr 26 2018 *revive your garden how to bring your outdoor space back to life* ebook bailey nick amazon co uk books

[revive your garden how to bring your outdoor space back to life](#) - Nov 06 2022

web a practical and inspirational guide for anyone who wants to bring their garden back to life whether it s a long standing plot that has become tired and unloved or a newly acquired

[7 ways to upgrade your outdoor living space to accommodate](#) - Dec 27 2021

web 2 *revive your garden how to bring your outdoor spac* 2019 12 12 *revive your garden how to bring your outdoor spac* downloaded from

how to revive a struggling garden garden design - Oct 25 2021

web sep 12 2023 let s dive into a few of the ways tech can help gardeners save time by making tasks more efficient and automated take care of boring tasks leaving you free

[7 little known tech solutions to take your garden to the next level](#) - Sep 23 2021

web apr 16 2020 fava beans are just one inexpensive source of protein though you may be surprised to find that broccoli cauliflower spinach artichokes brussels sprouts and

revive your garden how to bring your outdoor space back to life - Aug 15 2023

web *revive your garden how to bring your outdoor space back to life* ciltli kapak 29 mart 2018 in his excellent and information packed new book *revive your garden* bailey shares his tips for container plants perfect for time poor distracted londoners who still

revive your garden how to bring your outdoor space back to - Apr 30 2022

web find many great new used options and get the best deals for *revive your garden how to bring your outdoor space back to life* by nick bailey hardcover 2018 at the best

revive your garden how to bring your outdoor space - May 12 2023

web apr 26 2018 a practical and inspirational guide for anyone who wants to bring their garden back to life whether it s a long standing plot that has become tired and unloved

revive your garden how to bring your outdoor spac copy - Feb 26 2022

web you could purchase lead *revive your garden how to bring your outdoor spac* or acquire it as soon as feasible you could quickly download this *revive your garden*

revive your garden how to bring your outdoor space back to life - Mar 10 2023

web his advice will include all the vital steps beginning with assessing and understanding your site and progressing through

the pruning and layering of existing planting and the

revive your garden how to bring your outdoor space back to life - Jun 01 2022

web buy a used copy of revive your garden how to bring your outdoor space back to life book by nick bailey a practical and inspirational guide for anyone who wants to bring

revive your garden how to bring your outdoor space back to life - Oct 05 2022

web revive your garden how to bring your outdoor space back to life ebook written by nick bailey read this book using google play books app on your pc android ios

ut aleks chemistry assessment key uniport edu - Aug 04 2022

web jun 2 2023 ut aleks chemistry assessment key 1 8 downloaded from uniport edu ng on june 2 2023 by guest ut aleks chemistry assessment key thank you enormously much for downloading ut aleks chemistry assessment key maybe you have knowledge that people have look numerous period for their favorite books when this ut aleks chemistry

ut aleks chemistry assessment key copy uniport edu - May 01 2022

web ut aleks chemistry assessment key 2 10 downloaded from uniport edu ng on june 2 2023 by guest focus on credibility woven throughout the textbook chapters forward looking vision built on traditional concepts and practitioner and case based approach students are more likely to read and reflect on the text and are better

how to prep for the aleks math and chem exams for ut - May 13 2023

web may 3 2017 the ut aleks program which you will purchase soon for about 50 will let you take the test and then review you on problem areas until you pass if you take the time to complete all of the suggested work you should be in excellent shape when you take the assessment for real during orientation

ut aleks chemistry assessment key pdf uniport edu - Dec 28 2021

web you could buy guide ut aleks chemistry assessment key or get it as soon as feasible you could quickly download this ut aleks chemistry assessment key after getting deal

ut aleks chemistry assessment key enterpriseandardmedia - Oct 06 2022

web guides you could enjoy now is ut aleks chemistry assessment key below increasing student success in developmental mathematics national academies of sciences engineering and medicine

ib ap imat sat act igcse a level chemistry and biology - Jan 29 2022

web ib ap imat sat act igcse a level chemistry and biology lessons can be taught kopyala link kopyalandı messenger linkedin facebook whatsapp mail sms onaylı diploma yeliz profili ve iletişim bilgileri uzmanlarımız tarafından doğrulanmıştır seviyeler tüm seviyeler dersin işlenebildiği tüm diller

the ut chemistry placement exam university of texas at austin - Aug 16 2023

web the ut chemistry placement exam beginning fall 2011 the college of natural sciences is requiring a 70 or higher on the ut chemistry placement exam the aleks chemistry score of 70 is now required of all students taking ch301 deadline 5th class day of semester

aleks study guide ams istanbul edu - Jun 02 2022

web aleks study guide everything you need to help achieve an excellent score aleks mathematics placement assessment workbook 2018 2019 upper level isee college algebra afoqt math test prep step by step aleks math study guide the most comprehensive review for the aleks math test tsi math study guide 2021 2022

ut aleks chemistry assessment key - Mar 11 2023

web ut aleks chemistry assessment key right here we have countless books ut aleks chemistry assessment key and collections to check out we additionally provide variant types and as well as type of the books to browse the conventional book fiction history novel scientific research as without difficulty as various other sorts of

aleks chemistry university of texas at san antonio - Nov 07 2022

web this is effective may 1st 2023 about aleks scores it is required that all students who want to enroll in general chemistry chem 1103 first pass the aleks chemistry course with a score of 70 on the knowledge check assessment a score of 70 mastery on the initial knowledge check meets the minimum requirements for preparedness in che 1103

ut aleks chemistry assessment key qa nuevresolutions com - Jul 03 2022

web 2 ut aleks chemistry assessment key 2020 05 03 and school expanded edition was published and its influence has been wide and deep the report summarized insights on the nature of learning in school aged children described principles for the design of effective learning environments and provided examples of how that could be

[ut aleks chemistry assessment key pdf download only](#) - Apr 12 2023

web ut aleks chemistry assessment key pdf upload arnold h grant 2 6 downloaded from black ortax org on august 31 2023 by arnold h grant certain topic and brief contributions highlighting special types of sensors and sensor materials

ut aleks chemistry assessment key pqr uiaf gov co - Dec 08 2022

web this study identifies key lessons about the strategic objectives and directions which should form a frame for policy development in the us including policy on adult learning and schooling

İstanbul bakırköy pegem akademi 2020 ales 1 temel soru - Mar 31 2022

web 16 ağustos 2020 tarihinde uygulanan akademik personel ve lisansüstü eğitimi giriş sınavının 2020 ales 1 temel soru kitapçığı ile cevap anahtarının 10 u aşağıdaki bağlantıda sunulmuştur

ut aleks chemistry assessment key pdf uniport edu - Jan 09 2023

web may 21 2023 ut aleks chemistry assessment key 1 10 downloaded from uniport edu ng on may 21 2023 by guest ut

aleks chemistry assessment key getting the books ut aleks chemistry assessment key now is not type of inspiring means you could not lonely going when book hoard or library or borrowing from your associates to read them this is

ales test all you need to know about the ales exam in turkey - Feb 27 2022

web dec 22 2020 the ales test is administered twice a year by the central turkish student assessment and transfer organization Ösym in 81 university centers in turkey and northern cyprus all questions in this test are in turkish so people who are not familiar with this language can solve this problem by obtaining a certificate in the tomer test

chemistry assessment college of natural sciences - Jul 15 2023

web the chemistry assessment is a more effective assessment tool than the sat ap or clep tests in addition the chemistry assessment allows students to enter ch 301 or ch 301n with a strong knowledge base regardless of how long it s been since the student s last chemistry course

ut aleks chemistry assessment key pqr uiaf gov co - Feb 10 2023

web ut aleks chemistry assessment key by online you might not require more period to spend to go to the ebook creation as with ease as search for them in some cases you likewise reach not discover the revelation ut aleks chemistry assessment key that you are looking for it will agreed squander

ut aleks chemistry assessment key copy database grovemad - Sep 05 2022

web 2 ut aleks chemistry assessment key 2021 06 13 variations in the facts might or might not change the answers more than 100 videos guided example hint videos provide students with on demand walk throughs of key tax topics offering narrated animated step by step solutions to algorithmic variants for select exercises similar to those assigned

ut aleks chemistry assessment key pdf uniport edu - Jun 14 2023

web aug 17 2023 ut aleks chemistry assessment key 1 10 downloaded from uniport edu ng on august 17 2023 by guest ut aleks chemistry assessment key when people should go to the books stores search commencement by shop shelf by shelf it is truly problematic this is why we provide the books compilations in this website it will very ease you to

la gripe u ole mortadelo 187 casa del libro - Mar 16 2023

web número 134 de la colección magos del humor unextraño virus de gripe está afectando a la t i a y mortadelo y filemón tendrán que investigar sobre ello una virulenta gripe está afectando a varios miembros de la t i a por lo que mortadelo y filemón deberán averiguar cuál es el foco de infección

la gripe u olé mortadelo 187 by ibáñez francisco amazon ae - Jan 14 2023

web buy la gripe u olé mortadelo 187 by ibáñez francisco online on amazon ae at best prices fast and free shipping free returns cash on delivery available on eligible purchase

grippe symptômes causes traitements et prévention vidal - Jun 07 2022

web les symptômes de la grippe sont un sentiment de malaise de la fatigue et des frissons puis apparaissent une toux des courbatures très marquées et des maux de tête ces symptômes s accompagnent de fièvre d une grande fatigue et nécessitent de

la gripe u olé mortadelo 187 paperback february 17 2010 - Feb 15 2023

web feb 17 2010 amazon com la gripe u olé mortadelo 187 9788466643924 ibáñez francisco books

la gripe u ole mortadelo 187 paperback 6 nov - May 18 2023

web la gripe u ole mortadelo 187 ibaÑ ez francisco amazon co uk books skip to main content co uk delivering to london w1d 7 sign in to update your location books select the department you want to search in search amazon co uk hello sign in account lists returns

la gripe u olé mortadelo 187 amazon nl - Nov 12 2022

web la gripe u olé mortadelo 187 ibáñez francisco amazon nl books skip to main content nl delivering to amsterdam 1079 update location all select the department you want to search in search amazon nl en hello sign in account lists returns

la gripe u ole mortadelo 187 casa del libro méxico - Sep 10 2022

web libro la gripe u ole mortadelo 187 del autor francisco ibaÑez al mejor precio nuevo o segunda mano en casa del libro méxico

la gripe u olé mortadelo 187 paperback 1 oktober 2021 - Dec 13 2022

web la gripe u olé mortadelo 187 ibáñez francisco amazon nl boeken ga naar primaire content nl hallo bestemming kiezen alle nl hallo inloggen account en lijsten retourzendingen en bestellingen winkel wagen alle

la gripe u olé mortadelo 187 softcover abebooks - Aug 21 2023

web la gripe u olé mortadelo 187 by ibáñez francisco isbn 10 8402426522 isbn 13 9788402426529 bruguera 2021 softcover

la gripe u olé mortadelo 187 book depository - Jul 20 2023

web oct 22 2021 book depository is the world s most international online bookstore offering over 20 million books with free delivery worldwide

la gripe u olé mortadelo 187 amazon com au - Oct 23 2023

web la gripe u olé mortadelo 187 ibáñez francisco amazon com au books skip to main content com au delivering to sydney 1171 to change sign in or enter a postcode books select the department you want to search in search amazon com au en hello sign in account lists returns

la gripe definition of la gripe by medical dictionary - Apr 05 2022

web l ors de la presentation du bilan de son departement anass doukkali a egalement aborde le sujet de la grippe du virus h1n1 pres de 16 milliards dh pour la sante en 2018 des scientifiques chinois qui etudient l evolution du virus de la grippe

aviaire h7n9 ont decouvert que les mutations de ce virus pourraient etre une menace croissante pour
coleccion ole de mortadelo y filemon 187 la gripe u issue - Oct 11 2022

web jan 4 2023 *coleccion ole de mortadelo y filemon coleccion ole de mortadelo y filemon 187 la gripe u released by ediciones b on no date summary short summary describing this issue 186 187 188*

[grippe traduction dictionnaire français anglais wordreference com](#) - Mar 04 2022

web dans la description française crève grippal grippé influenza vaccin contre la grippe anglais dose of flu flu grippe influenza avian influenza bird flu flu shot flu vaccine have it in for miser moneygrubber moneygrubbing penny pincher scrooge stomach flu stomach virus swine flu tight fisted

la gripe u olé mortadelo 187 paperback october 1 2021 - Jun 19 2023

web oct 1 2021 *amazon com la gripe u olé mortadelo 187 9788402426529 ibáñez francisco books*

la gripe u olé mortadelo 187 broché 1 octobre 2021 - Apr 17 2023

web la gripe u olé mortadelo 187 ibáñez francisco amazon fr livres continuer sans les tiers utilisent des cookies dans le but d afficher et de mesurer des publicités personnalisées générer des informations sur l audience et développer et

la gripe u olé mortadelo 187 amazon sg books - Sep 22 2023

web hello sign in account lists returns orders cart

driver s death in shangri la shooting case ruled a lawful killing - May 06 2022

web apr 22 2016 *singapore a 34 year old driver who was shot at by police in the early hours of may 31 last year died due to a lawful killing a coroner ruled on friday april 22 read more at straitstimes com*

la gripe u olé mortadelo 187 amazon de - Aug 09 2022

web la gripe u olé mortadelo 187 ibáñez francisco amazon de bücher zum hauptinhalt wechseln de hallo lieferadresse wählen alle de hallo anmelden konto und listen warenrücksendungen und bestellungen einkaufs wagen einkaufswagen alle

la gripe u ole mortadelo 187 full pdf ssltest2 medacs - Jul 08 2022

web on 22 11 2023 by guest 1 1 *la gripe u ole mortadelo 187 la gripe u ole mortadelo 187 if you ally habit such a referred la gripe u ole mortadelo 187 ebook that will manage to pay for you worth get the entirely best seller from us currently from several preferred authors*