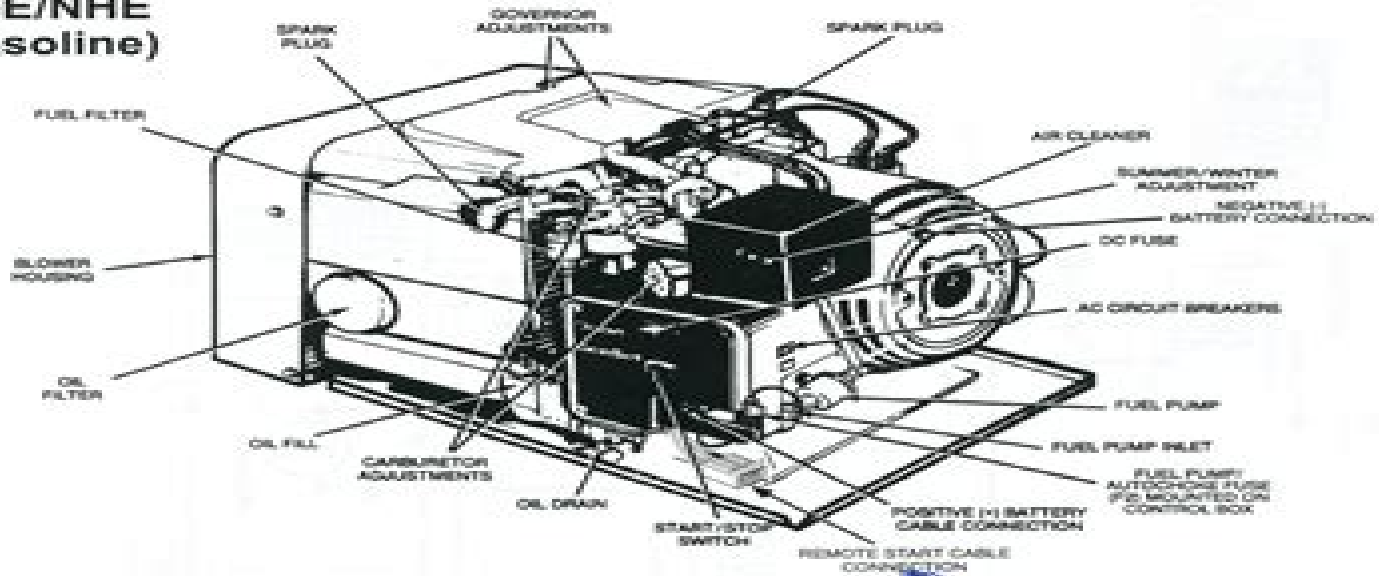


BGE/NHE (Gasoline)



BGE/NHE (LPG)

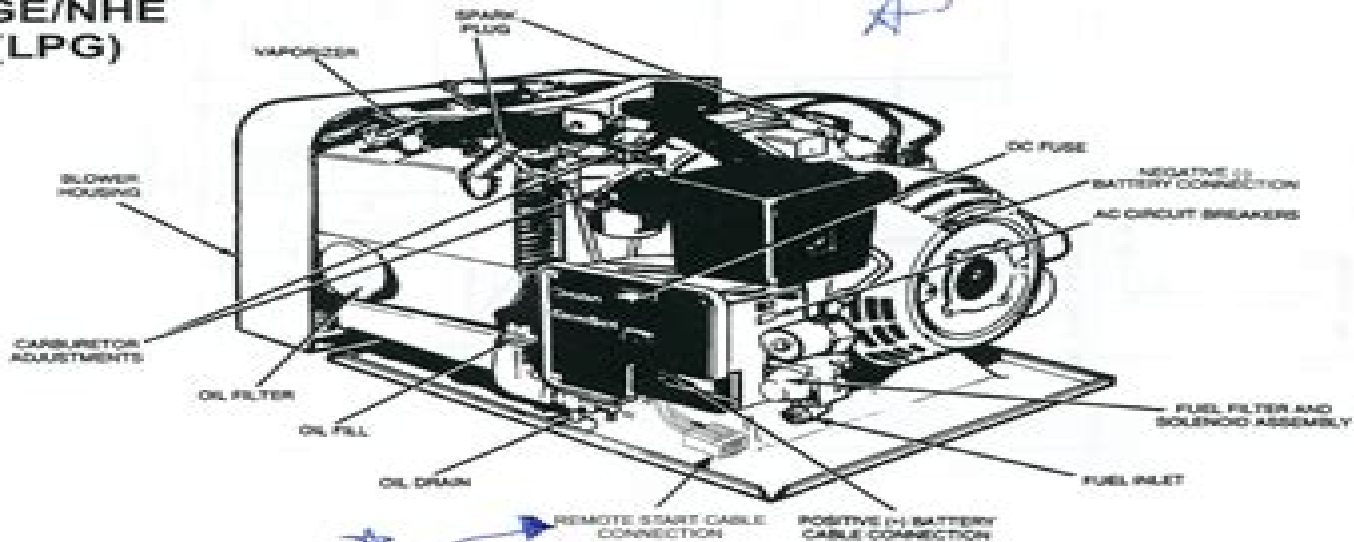


FIGURE 1-1. TYPICAL EMERALD PLUS GENERATOR SETS

Onan 3600 Lp Generator Parts Manual

Clemens Wendtner



Onan 3600 Lp Generator Parts Manual:

If you ally habit such a referred **Onan 3600 Lp Generator Parts Manual** book that will allow you worth, acquire the no question best seller from us currently from several preferred authors. If you want to witty books, lots of novels, tale, jokes, and more fictions collections are then launched, from best seller to one of the most current released.

You may not be perplexed to enjoy all ebook collections Onan 3600 Lp Generator Parts Manual that we will totally offer. It is not almost the costs. Its about what you dependence currently. This Onan 3600 Lp Generator Parts Manual, as one of the most working sellers here will definitely be accompanied by the best options to review.

<https://correiodobrasil.blogosfero.cc/results/publication/HomePages/Ohio%20Audio%20Motorcycle%20Manual.pdf>

Table of Contents Onan 3600 Lp Generator Parts Manual

1. Understanding the eBook Onan 3600 Lp Generator Parts Manual
 - The Rise of Digital Reading Onan 3600 Lp Generator Parts Manual
 - Advantages of eBooks Over Traditional Books
2. Identifying Onan 3600 Lp Generator Parts Manual
 - Exploring Different Genres
 - Considering Fiction vs. Non-Fiction
 - Determining Your Reading Goals
3. Choosing the Right eBook Platform
 - Popular eBook Platforms
 - Features to Look for in an Onan 3600 Lp Generator Parts Manual
 - User-Friendly Interface
4. Exploring eBook Recommendations from Onan 3600 Lp Generator Parts Manual
 - Personalized Recommendations
 - Onan 3600 Lp Generator Parts Manual User Reviews and Ratings
 - Onan 3600 Lp Generator Parts Manual and Bestseller Lists
5. Accessing Onan 3600 Lp Generator Parts Manual Free and Paid eBooks

- Onan 3600 Lp Generator Parts Manual Public Domain eBooks
 - Onan 3600 Lp Generator Parts Manual eBook Subscription Services
 - Onan 3600 Lp Generator Parts Manual Budget-Friendly Options
6. Navigating Onan 3600 Lp Generator Parts Manual eBook Formats
 - ePub, PDF, MOBI, and More
 - Onan 3600 Lp Generator Parts Manual Compatibility with Devices
 - Onan 3600 Lp Generator Parts Manual Enhanced eBook Features
 7. Enhancing Your Reading Experience
 - Adjustable Fonts and Text Sizes of Onan 3600 Lp Generator Parts Manual
 - Highlighting and Note-Taking Onan 3600 Lp Generator Parts Manual
 - Interactive Elements Onan 3600 Lp Generator Parts Manual
 8. Staying Engaged with Onan 3600 Lp Generator Parts Manual
 - Joining Online Reading Communities
 - Participating in Virtual Book Clubs
 - Following Authors and Publishers Onan 3600 Lp Generator Parts Manual
 9. Balancing eBooks and Physical Books Onan 3600 Lp Generator Parts Manual
 - Benefits of a Digital Library
 - Creating a Diverse Reading Collection Onan 3600 Lp Generator Parts Manual
 10. Overcoming Reading Challenges
 - Dealing with Digital Eye Strain
 - Minimizing Distractions
 - Managing Screen Time
 11. Cultivating a Reading Routine Onan 3600 Lp Generator Parts Manual
 - Setting Reading Goals Onan 3600 Lp Generator Parts Manual
 - Carving Out Dedicated Reading Time
 12. Sourcing Reliable Information of Onan 3600 Lp Generator Parts Manual
 - Fact-Checking eBook Content of Onan 3600 Lp Generator Parts Manual
 - Distinguishing Credible Sources
 13. Promoting Lifelong Learning
 - Utilizing eBooks for Skill Development

- Exploring Educational eBooks
- 14. Embracing eBook Trends
 - Integration of Multimedia Elements
 - Interactive and Gamified eBooks

Onan 3600 Lp Generator Parts Manual Introduction

Onan 3600 Lp Generator Parts Manual Offers over 60,000 free eBooks, including many classics that are in the public domain. Open Library: Provides access to over 1 million free eBooks, including classic literature and contemporary works. Onan 3600 Lp Generator Parts Manual Offers a vast collection of books, some of which are available for free as PDF downloads, particularly older books in the public domain. Onan 3600 Lp Generator Parts Manual : This website hosts a vast collection of scientific articles, books, and textbooks. While it operates in a legal gray area due to copyright issues, its a popular resource for finding various publications. Internet Archive for Onan 3600 Lp Generator Parts Manual : Has an extensive collection of digital content, including books, articles, videos, and more. It has a massive library of free downloadable books. Free-eBooks Onan 3600 Lp Generator Parts Manual Offers a diverse range of free eBooks across various genres. Onan 3600 Lp Generator Parts Manual Focuses mainly on educational books, textbooks, and business books. It offers free PDF downloads for educational purposes. Onan 3600 Lp Generator Parts Manual Provides a large selection of free eBooks in different genres, which are available for download in various formats, including PDF. Finding specific Onan 3600 Lp Generator Parts Manual, especially related to Onan 3600 Lp Generator Parts Manual, might be challenging as theyre often artistic creations rather than practical blueprints. However, you can explore the following steps to search for or create your own Online Searches: Look for websites, forums, or blogs dedicated to Onan 3600 Lp Generator Parts Manual, Sometimes enthusiasts share their designs or concepts in PDF format. Books and Magazines Some Onan 3600 Lp Generator Parts Manual books or magazines might include. Look for these in online stores or libraries. Remember that while Onan 3600 Lp Generator Parts Manual, sharing copyrighted material without permission is not legal. Always ensure youre either creating your own or obtaining them from legitimate sources that allow sharing and downloading. Library Check if your local library offers eBook lending services. Many libraries have digital catalogs where you can borrow Onan 3600 Lp Generator Parts Manual eBooks for free, including popular titles. Online Retailers: Websites like Amazon, Google Books, or Apple Books often sell eBooks. Sometimes, authors or publishers offer promotions or free periods for certain books. Authors Website Occasionally, authors provide excerpts or short stories for free on their websites. While this might not be the Onan 3600 Lp Generator Parts Manual full book , it can give you a taste of the authors writing style. Subscription Services Platforms like Kindle Unlimited or Scribd offer subscription-based access to a wide range of Onan 3600 Lp Generator Parts Manual eBooks, including some popular titles.

FAQs About Onan 3600 Lp Generator Parts Manual Books

How do I know which eBook platform is the best for me? Finding the best eBook platform depends on your reading preferences and device compatibility. Research different platforms, read user reviews, and explore their features before making a choice. Are free eBooks of good quality? Yes, many reputable platforms offer high-quality free eBooks, including classics and public domain works. However, make sure to verify the source to ensure the eBook credibility. Can I read eBooks without an eReader? Absolutely! Most eBook platforms offer web-based readers or mobile apps that allow you to read eBooks on your computer, tablet, or smartphone. How do I avoid digital eye strain while reading eBooks? To prevent digital eye strain, take regular breaks, adjust the font size and background color, and ensure proper lighting while reading eBooks. What the advantage of interactive eBooks? Interactive eBooks incorporate multimedia elements, quizzes, and activities, enhancing the reader engagement and providing a more immersive learning experience. Onan 3600 Lp Generator Parts Manual is one of the best book in our library for free trial. We provide copy of Onan 3600 Lp Generator Parts Manual in digital format, so the resources that you find are reliable. There are also many Ebooks of related with Onan 3600 Lp Generator Parts Manual. Where to download Onan 3600 Lp Generator Parts Manual online for free? Are you looking for Onan 3600 Lp Generator Parts Manual PDF? This is definitely going to save you time and cash in something you should think about.

Find Onan 3600 Lp Generator Parts Manual :

ohio audio motorcycle manual

official guide for gmat quantitative review 2nd edition

octonauts search and find

of mice and men or cannery row penguin modern classics

odia dhoom hd videos az

offshore wind a comprehensive guide to successful offshore wind farm installation

oh my goddess volume 14 queen sayoko oh my goddess numbered

ohms law and power practice answers

ogt science quick study guide

okidata ml320 manual

odyssey in climate modeling global warming and advising five presidents

official toefl guide 4th edition

[of triton the syrena legacy](#)

of vice and virtue time walkers

oh uganda an intrepid volunteers perspective

Onan 3600 Lp Generator Parts Manual :

pdf less than nothing hegel and the shadow of dialectical - Jun 23 2022

web bookforum com less than nothing hegel and the shadow of dialectical materialism in a lecture given at new york university s deutsches haus on the 28th of october last year some months before the publication of a very fat new book named less than nothing philosopher slavoj zizek interrupted one of his characteristic digressions to make an

[slavoj Žižek less than nothing hegel and the shadow of](#) - May 03 2023

web apr 21 2015 slavoj Žižek less than nothing hegel and the shadow of dialectical materialism london verso 2012 isbn 978 1844678976 hbk isbn 978 1781681275 pbk 19 99 pp 1038 hegel bulletin cambridge core

google play - Mar 21 2022

web google play

less than nothing hegel and the shadow of dialectical - Jul 05 2023

web may 22 2012 in less than nothing the product of a career long focus on the part of its author slavoj Žižek argues it is imperative we not simply return to hegel but that we repeat and exceed his triumphs overcoming his limitations by

less than nothing hegel and the shadow of dialectical materialism - Dec 30 2022

web less than nothing hegel and the shadow of dialectical materialism slavoj zizek verso 69 95 1 024p isbn 978 1 84467 897 6 in this rigorous examination of hegel s philosophical legacy

less than nothing hegel and the shadow of dialectical - Jul 25 2022

web aug 1 2013 less than nothing hegel and the shadow of dialectical materialism pp bruce krajewski common knowledge 2013 19 3 581 582 doi org 10 1215 0961754x 2282125 share tools

less than nothing hegel and the shadow of dialectical - Oct 08 2023

web jan 1 2012 less than nothing hegel and the shadow of dialectical materialism slavoj Žižek 4 18 540 ratings48 reviews for the last two centuries western philosophy has developed in the shadow of hegel an influence each new thinker struggles to escape

less than nothing hegel and the shadow of dialectical - Jun 04 2023

web may 22 2012 for the last two centuries western philosophy has developed in the shadow of hegel whose influence each new thinker tries in vain to escape as a consequence hegel s absolute idealism has become the bogeyman of philosophy

obscuring his dominance as the philosopher of the epochal historical transition to modernity

[less than nothing hegel and the shadow of dialectical](#) - Feb 17 2022

web less than nothing hegel and the shadow of dialectical materialism zizek slavoj amazon com au books books

[less than nothing hegel and the shadow of dialectical](#) - Apr 21 2022

web in less than nothing the product of a career long focus on the part of its author slavoj Žižek argues it is imperative we not simply return to hegel but that we repeat and exceed his triumphs overcoming his limitations by being even more hegelian than the master himself such an approach not only enables Žižek to diagnose our present

less than nothing hegel and the shadow of dialectical - Nov 28 2022

web less than nothing hegel and the shadow of dialectical materialism by z iz ek slavoj publication date 2012 topics hegel georg wilhelm friedrich 1770 1831 publisher

less than nothing hegel and the shadow of dialectical - Sep 07 2023

web may 22 2012 in less than nothing the product of a career long focus on the part of its author slavoj Žižek argues it is imperative we not simply return to hegel but that we repeat and exceed his triumphs

less than nothing hegel and the shadow of dialectical - Aug 26 2022

web less than nothing hegel and the shadow of dialectical materialism author slavoj Žižek author summary for the last two centuries western philosophy has developed in the shadow of hegel whose influence each new thinker tries in vain to escape whether in the name of the pre rational will the social process of production or the

[less than nothing hegel and the shadow of dialectical materialism](#) - Oct 28 2022

web sep 1 2013 this essay examines two readings of hegel namely robyn marasco s the highway of despair critical theory after hegel and stephen houlgate s hegel on being to construct a hegelian political

pdf slavoj Žižek less than nothing hegel and the shadow of - Mar 01 2023

web jul 20 2014 it is twice as big as hegel s phenomenology of spirit and similar in size to hegel s science of logic the first sentence of robert pippin s review of less than nothing is it takes some courage to give a book this size the title less than nothing it is obvious that Žižek s book view pdf

less than nothing hegel and the shadow of dialectical - May 23 2022

web less than nothing hegel and the shadow of dialectical materialism author slavoj Žižek author summary for the last two centuries western philosophy has developed in the shadow of hegel whose influence each new thinker tries in vain to escape whether in the name of the pre rational will the social process of production or the

less than nothing hegel and the shadow of dialectical materialism - Sep 26 2022

web less than nothing hegel and the shadow of dialectical materialism paperback 10 sept 2013 for the last two centuries

western philosophy has developed in the shadow of hegel an influence each new thinker struggles to escape

pdf slavoj Žižek less than nothing hegel and the shadow of - Aug 06 2023

web hegel s dialectical process is not saturated and fixed self contained necessary whole but contingent process marx as a reader of hegel is the usual approach in marxist critique of hegel since marx own time but hegel as a reader of marx is an unusual Žižek s practice in less than nothing

less than nothing hegel and the shadow of dialectical - Apr 02 2023

web sep 10 2013 less than nothing hegel and the shadow of dialectical materialism zizek slavoj on amazon com free shipping on qualifying offers less than nothing hegel and the shadow of dialectical materialism

less than nothing hegel and the shadow of dialectical - Jan 31 2023

web in less than nothing the pinnacle publication of a distinguished career slavoj Žižek argues that it is imperative that we not simply return to hegel but that we repeat and exceed his triumphs

ati technologies singapore pte ltd sgpbusiness com - Jul 03 2023

web jul 8 2005 ati technologies singapore pte ltd the company is a private company limited by shares incorporated on 8 july 2005 friday in singapore the address of the company s registered office is at the sgx centre building the company current operating status is struck off

login ati testing - Sep 05 2023

web ati products work best when using the latest version of google chrome i understand nursing school resources privacy your privacy choices california residents privacy notice data privacy request terms and conditions technical requirements sitemap store

ati announces third quarter 2023 results pr newswire - Nov 14 2021

web nov 2 2023 ati nyse ati is a global producer of high performance materials and solutions for the global aerospace and defense markets and critical applications in electronics medical and specialty energy

download ati drivers for windows 11 10 8 7 xp vista driverguide - Jun 21 2022

web how to update ati device drivers quickly easily tech tip updating drivers manually requires some computer skills and patience a faster and easier option is to use the driver update utility for ati to scan your system for free the utility tells you which specific drivers are out of date for all of your devices

ati earnings date and reports 2023 nyse ati marketbeat - Sep 12 2021

web nov 3 2023 ati earnings date and information ati last issued its quarterly earnings data on august 2nd 2023 the basic materials company reported 0 59 earnings per share for the quarter topping the consensus estimate of 0 55 by 0 04 the company had revenue of 1 05 billion for the quarter compared to analyst estimates of 1 05 billion

ati technologies wikipedia - Jul 23 2022

web ati technologies inc commonly called ati was a canadian semiconductor technology corporation based in markham ontario that specialized in the development of graphics processing units and chipsets founded in 1985 as array technology inc the company listed publicly in 1993 and was acquired by amd in 2006

ati testing nursing education nclex exam review teas - Nov 26 2022

web ati has the product solution to help you become a successful nurse check out our tutorials and practice exams for topics like pharmacology med surge nclex prep and much more view all products

ati radeon xpress drivers support amd - Aug 04 2023

web ati wdm integrated driver release notes publishing status on operating system windows vista 32 bit edition windows vista 64 bit edition windows xp professional home driver catalyst software suite revision number 10 2 file size 75 6 mb release date 2 24 2010

ati industrial automation einst technology pte ltd einst - Feb 27 2023

web ati industrial automation is the world leading engineering based developer of robotic accessories and robot arm tooling including automatic tool changers multi axis force torque sensing systems utility couplers robotic deburring tools robotic collision sensors manual tool changers and compliance devices

amd drivers and support amd - Oct 06 2023

web auto detect and install driver updates for amd radeon series graphics and ryzen chipsets for use with systems running windows 11 windows 10 64 bit version 1809 and later download and run directly onto the system you want to update learn more

ati inc reports q3 2023 earnings sales reach 1 03 billion - May 21 2022

web nov 2 2023 ati inc announced its third quarter 2023 results on november 2 2023 the company reported sales of 1 03 billion and a net income attributable to ati of 75 7 million or 0 52 per share

amd software adrenalin edition 23 11 1 release notes amd - Aug 24 2022

web compatible operating systems amd software adrenalin edition 23 11 1 is designed to support the following microsoft windows platforms operating system support may vary depending on your specific amd radeon product windows 11 version 21h2 and later windows 10 64 bit version 1809 and later

nursing school resources for students ati - Dec 28 2022

web mental health nursing this review module offers basic mental health principles including non pharmacological therapy of mental health disorders pharmacological therapy of mental health disorders and nursing care of clients who

ati linkedin - Feb 15 2022

web ati 31 382 followers 3d today we reported third quarter 2023 results with sales of 1 03 billion and net income attributable to ati of 75 7 million or 0 52 per share ati s growth as an

teas exam information register for the teas ati - Sep 24 2022

web can i reschedule my ati teas exam how soon can i retake the ati teas exam what is the cost of the ati teas exam what do i need to know before i register for the ati teas exam

ati radeon display driver download - Mar 19 2022

web oct 19 2018 the ati radeon catalyst display driver version 10 5 for windows xp mce windows 7 released by advanced micro devices amd formerly know as ati catalyst introduces the following new features adaptive anti aliasing support for the ati radeon x1000 series of products software crossfire support for the ati radeon hd

ati definition meaning merriam webster - Dec 16 2021

web the meaning of ati is an indigenous people of panay philippines love words you must there are over 200 000 words in our free online dictionary but you are looking for one that s only in the merriam webster unabridged dictionary start your free trial today and get unlimited access to america s largest dictionary with

ati teas exam teas prep teas registration ati ati - Mar 31 2023

web use smartprep to optimize your study time and focus on the specific topics you need to learn with our initial practice tests and robust test taker data we can assess your proficiency in different topic areas and adjust the lessons and materials just for you

ati inc q3 profit increases beats estimates nasdaq - Oct 14 2021

web rttnews com rttnews ati inc ati released a profit for its third quarter that increased from the same period last year and beat the street estimates the company s earnings totaled 75 7

ati technologies inc world leader in graphics technology amd - Jan 29 2023

web founded in 1985 ati technologies inc develops manufacturers and markets graphics accelerators both boards and components as well as multimedia software and hardware for the worldwide personal computer pc and macintosh markets ati offers 3d 2d video agp dvd tv tuners and multimedia solutions to enhance your computing experience

ati announces third quarter 2023 results markets insider - Jan 17 2022

web nov 2 2023 ati nyse ati is a global producer of high performance materials and solutions for the global aerospace and defense markets and critical applications in electronics medical and specialty energy

ati testing nursing education nclex exam review teas - May 01 2023

web ati has the product solution to help you become a successful nurse check out our tutorials and practice exams for topics like pharmacology med surge nclex prep and much more

web teacher or mummy ki chudai hindi sex story 18m 85 7min 360p sasur ne real bahu ki chudai ki 10 6m 100 2min 360p sexy ending 1m 100 1min 29sec 360p anita90xxx indian village aunty homemade rough hard sex 2 8m 99 10min 1080p couple crazy best ever xxx close up fucking my desi village girlfriend clear hindi voice

[meri chut chudai story](#) - Apr 13 2023

web meri chut chudai story meri chut chudai story garam ladki bhabhi lady ki chudai ki kahani

popular chudai xxx sex video xnxx porn tube - Jul 04 2022

web indian cool lady priya seduced step brother by watching adult film with him 11194 13 09 76 7 desi bhabhi ki suhagrat 10461 3 42 88 7 behan bhai romp in douche desi 11498 4 33 78 6 devar bhabhi ki chut mera land cahiye mota desi video hind 10067 7 54 81 8 indian steamy wifey sex full vid for more visit ronysworld

story videos free hot story indian sex movies indian porn pro - Jun 15 2023

web indian porn pro has free story indian sex videos with hot hindi women who love to fuck sexy nude indians girls with big and small tits give blowjobs and swallow dirty hindi cum

[free chudai porn videos xhamster](#) - Sep 06 2022

web free chudai porn videos xhamster watch all chudai xxx vids right now

30 - May 02 2022

web check out free chudai porn videos on xhamster watch all chudai xxx vids right now

30 - May 02 2022

web free chudai porn videos xhamster watch all chudai xxx vids right now

[antarvasna](#) - Feb 11 2023

web sep 19 2023 categories tags chut chudai desi chudai story hindi porn kahani hindi sexy stories leave a comment

chudai ki kahani chudai ki story in hindi desi kahani - Aug 17 2023

web oct 8 2023 stories written by female that fuck her overjoyed chachi ki pyaas ya hawas 4 by rajnisingh october 8 2023 18 561 saari raat chudne ke baad mujhe aaram karna tha jaaniye kaise jab main aaram karne gayi to sachin ne meri palang tod chudai kar daali train mein hui meri jam kar chudai 1 by rajsharma99 october 3 2023 10 142

[hindi chudai videos indian desi xxx videos](#) - Jan 30 2022

web 491 hd 40 17 hindi mein chudai bf luteri dulhan extended 763 hd 20 03 hot hindi chudai video widow bhabhi sex masti

1k 39 46 addyi bhabhi ki chudai episode 2

[jija sali chudai with hindi audio indian xxx videos](#) - Jan 10 2023

web family sex video of big boobs hot sali fucked in the kitchen by her horny jija ji he is banging her big indian ass from behind and destroying her desi chut 05 43 cheating delhi housewife enjoying desi sex 1k 100 hd 09 28 big boobs indian housewife loves doggy style 3k 100 hd 07 07

[chudai search xnxx com](#) - Dec 09 2022

web 19 9m 100 10min 1080p indian mallu girl showing boobs aunty cleavage chut ungli pussy bhabhi cleavage boobs big 13 7m 100 3min 1080p indian amateur aunty is rubbing her hairy pussy indian xxx video 3m 100 5min 1080p 1 178 chudai premium videos on xnxx gold

[hot sex story hindi sex story chudai kahani](#) - May 14 2023

web hot sex story new sex story in hindi desi sex kahani ❏ ❏ ❏ ❏ ❏ ❏ fuck story xxx story indian sex story with hot nude sex pic read online free

hard desi chudai with clear hindi audio indian xxx videos - Aug 05 2022

web desi indian porn of hardcore chudai of a sexy desi girl her lover is fucking creamy chut with his big indian dick and making her moan loud hd 10 32 hot sex with wife of next door neighbor 1k 02 42 horny indian men banging wife of landlord 1k 100 hd 00 40 desi callboy fucking delhi housewife 4k 100 02 02 fake baba caught fucking sexy randi