


[Point 4] Exhaust manifold cover installation

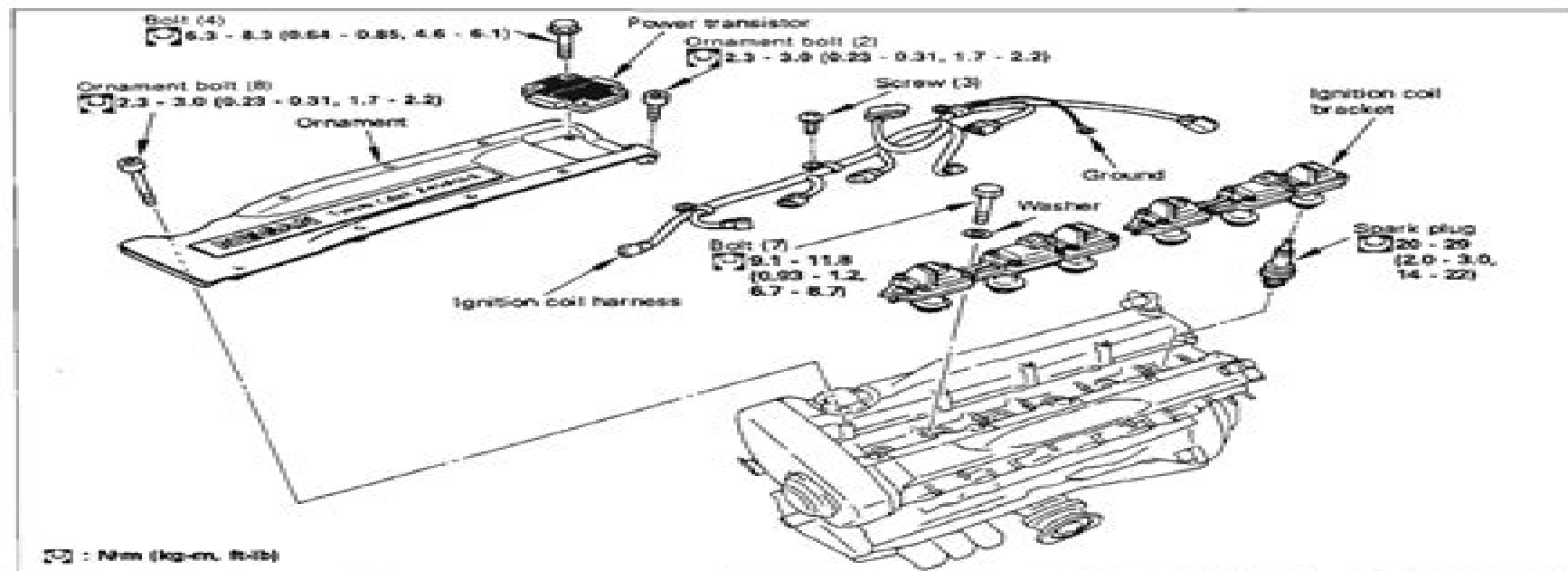
- Attach the exhaust manifold cover bolts in the following sequence (in both front and rear).
 - ① Temporarily tighten bolts for positioning hole indicated by **A**.
 - ② Tighten bolts in the other two locations **B**.
 - ③ Tighten bolts in holes **A** to specified tightening torque.

Tightening torque	3.7 - 5.0 N·m (0.38 - 0.51 kg-m, 2.7 - 3.7 ft-lb)
-------------------	---

10-9 SPARK PLUGS

Tools required

	Name		Application
Special tool	Spark plug wrench EG1740 1600		Small hexagonal spark plug removal and installation



Additional work required:

Remove and install:

- Air inlet pipe
- Blowby hose

Nissan Skyline R32 Gt R Electrical System A Service And Troubleshooting

Mazda Motor Corporation



Nissan Skyline R32 Gt R Electrical System A Service And Troubleshooting:

Electrical System Trouble Shooting Mazda Motor Corporation,1975

Nissan Skyline R32 Gt R Electrical System A Service And Troubleshooting Book Review: Unveiling the Power of Words

In a global driven by information and connectivity, the energy of words has be much more evident than ever. They have the capability to inspire, provoke, and ignite change. Such could be the essence of the book **Nissan Skyline R32 Gt R Electrical System A Service And Troubleshooting**, a literary masterpiece that delves deep in to the significance of words and their impact on our lives. Published by a renowned author, this captivating work takes readers on a transformative journey, unraveling the secrets and potential behind every word. In this review, we will explore the book is key themes, examine its writing style, and analyze its overall affect readers.

<https://correiodobrasil.blogosfero.cc/results/book-search/Documents/omc%20service%20manual%201984.pdf>

Table of Contents Nissan Skyline R32 Gt R Electrical System A Service And Troubleshooting

1. Understanding the eBook Nissan Skyline R32 Gt R Electrical System A Service And Troubleshooting
 - The Rise of Digital Reading Nissan Skyline R32 Gt R Electrical System A Service And Troubleshooting
 - Advantages of eBooks Over Traditional Books
2. Identifying Nissan Skyline R32 Gt R Electrical System A Service And Troubleshooting
 - Exploring Different Genres
 - Considering Fiction vs. Non-Fiction
 - Determining Your Reading Goals
3. Choosing the Right eBook Platform
 - Popular eBook Platforms
 - Features to Look for in an Nissan Skyline R32 Gt R Electrical System A Service And Troubleshooting
 - User-Friendly Interface
4. Exploring eBook Recommendations from Nissan Skyline R32 Gt R Electrical System A Service And Troubleshooting
 - Personalized Recommendations
 - Nissan Skyline R32 Gt R Electrical System A Service And Troubleshooting User Reviews and Ratings

Nissan Skyline R32 Gt R Electrical System A Service And Troubleshooting

- Nissan Skyline R32 Gt R Electrical System A Service And Troubleshooting and Bestseller Lists
- 5. Accessing Nissan Skyline R32 Gt R Electrical System A Service And Troubleshooting Free and Paid eBooks
 - Nissan Skyline R32 Gt R Electrical System A Service And Troubleshooting Public Domain eBooks
 - Nissan Skyline R32 Gt R Electrical System A Service And Troubleshooting eBook Subscription Services
 - Nissan Skyline R32 Gt R Electrical System A Service And Troubleshooting Budget-Friendly Options
- 6. Navigating Nissan Skyline R32 Gt R Electrical System A Service And Troubleshooting eBook Formats
 - ePub, PDF, MOBI, and More
 - Nissan Skyline R32 Gt R Electrical System A Service And Troubleshooting Compatibility with Devices
 - Nissan Skyline R32 Gt R Electrical System A Service And Troubleshooting Enhanced eBook Features
- 7. Enhancing Your Reading Experience
 - Adjustable Fonts and Text Sizes of Nissan Skyline R32 Gt R Electrical System A Service And Troubleshooting
 - Highlighting and Note-Taking Nissan Skyline R32 Gt R Electrical System A Service And Troubleshooting
 - Interactive Elements Nissan Skyline R32 Gt R Electrical System A Service And Troubleshooting
- 8. Staying Engaged with Nissan Skyline R32 Gt R Electrical System A Service And Troubleshooting
 - Joining Online Reading Communities
 - Participating in Virtual Book Clubs
 - Following Authors and Publishers Nissan Skyline R32 Gt R Electrical System A Service And Troubleshooting
- 9. Balancing eBooks and Physical Books Nissan Skyline R32 Gt R Electrical System A Service And Troubleshooting
 - Benefits of a Digital Library
 - Creating a Diverse Reading Collection Nissan Skyline R32 Gt R Electrical System A Service And Troubleshooting
- 10. Overcoming Reading Challenges
 - Dealing with Digital Eye Strain
 - Minimizing Distractions
 - Managing Screen Time
- 11. Cultivating a Reading Routine Nissan Skyline R32 Gt R Electrical System A Service And Troubleshooting
 - Setting Reading Goals Nissan Skyline R32 Gt R Electrical System A Service And Troubleshooting
 - Carving Out Dedicated Reading Time
- 12. Sourcing Reliable Information of Nissan Skyline R32 Gt R Electrical System A Service And Troubleshooting
 - Fact-Checking eBook Content of Nissan Skyline R32 Gt R Electrical System A Service And Troubleshooting
 - Distinguishing Credible Sources

13. Promoting Lifelong Learning
 - Utilizing eBooks for Skill Development
 - Exploring Educational eBooks
14. Embracing eBook Trends
 - Integration of Multimedia Elements
 - Interactive and Gamified eBooks

Nissan Skyline R32 Gt R Electrical System A Service And Troubleshooting Introduction

Free PDF Books and Manuals for Download: Unlocking Knowledge at Your Fingertips In today's fast-paced digital age, obtaining valuable knowledge has become easier than ever. Thanks to the internet, a vast array of books and manuals are now available for free download in PDF format. Whether you are a student, professional, or simply an avid reader, this treasure trove of downloadable resources offers a wealth of information, conveniently accessible anytime, anywhere. The advent of online libraries and platforms dedicated to sharing knowledge has revolutionized the way we consume information. No longer confined to physical libraries or bookstores, readers can now access an extensive collection of digital books and manuals with just a few clicks. These resources, available in PDF, Microsoft Word, and PowerPoint formats, cater to a wide range of interests, including literature, technology, science, history, and much more. One notable platform where you can explore and download free Nissan Skyline R32 Gt R Electrical System A Service And Troubleshooting PDF books and manuals is the internet's largest free library. Hosted online, this catalog compiles a vast assortment of documents, making it a veritable goldmine of knowledge. With its easy-to-use website interface and customizable PDF generator, this platform offers a user-friendly experience, allowing individuals to effortlessly navigate and access the information they seek. The availability of free PDF books and manuals on this platform demonstrates its commitment to democratizing education and empowering individuals with the tools needed to succeed in their chosen fields. It allows anyone, regardless of their background or financial limitations, to expand their horizons and gain insights from experts in various disciplines. One of the most significant advantages of downloading PDF books and manuals lies in their portability. Unlike physical copies, digital books can be stored and carried on a single device, such as a tablet or smartphone, saving valuable space and weight. This convenience makes it possible for readers to have their entire library at their fingertips, whether they are commuting, traveling, or simply enjoying a lazy afternoon at home. Additionally, digital files are easily searchable, enabling readers to locate specific information within seconds. With a few keystrokes, users can search for keywords, topics, or phrases, making research and finding relevant information a breeze. This efficiency saves time and effort, streamlining the learning process and allowing individuals to focus on extracting the information they need. Furthermore, the availability of free PDF books

and manuals fosters a culture of continuous learning. By removing financial barriers, more people can access educational resources and pursue lifelong learning, contributing to personal growth and professional development. This democratization of knowledge promotes intellectual curiosity and empowers individuals to become lifelong learners, promoting progress and innovation in various fields. It is worth noting that while accessing free Nissan Skyline R32 Gt R Electrical System A Service And Troubleshooting PDF books and manuals is convenient and cost-effective, it is vital to respect copyright laws and intellectual property rights. Platforms offering free downloads often operate within legal boundaries, ensuring that the materials they provide are either in the public domain or authorized for distribution. By adhering to copyright laws, users can enjoy the benefits of free access to knowledge while supporting the authors and publishers who make these resources available. In conclusion, the availability of Nissan Skyline R32 Gt R Electrical System A Service And Troubleshooting free PDF books and manuals for download has revolutionized the way we access and consume knowledge. With just a few clicks, individuals can explore a vast collection of resources across different disciplines, all free of charge. This accessibility empowers individuals to become lifelong learners, contributing to personal growth, professional development, and the advancement of society as a whole. So why not unlock a world of knowledge today? Start exploring the vast sea of free PDF books and manuals waiting to be discovered right at your fingertips.

FAQs About Nissan Skyline R32 Gt R Electrical System A Service And Troubleshooting Books

How do I know which eBook platform is the best for me? Finding the best eBook platform depends on your reading preferences and device compatibility. Research different platforms, read user reviews, and explore their features before making a choice. Are free eBooks of good quality? Yes, many reputable platforms offer high-quality free eBooks, including classics and public domain works. However, make sure to verify the source to ensure the eBook credibility. Can I read eBooks without an eReader? Absolutely! Most eBook platforms offer web-based readers or mobile apps that allow you to read eBooks on your computer, tablet, or smartphone. How do I avoid digital eye strain while reading eBooks? To prevent digital eye strain, take regular breaks, adjust the font size and background color, and ensure proper lighting while reading eBooks. What the advantage of interactive eBooks? Interactive eBooks incorporate multimedia elements, quizzes, and activities, enhancing the reader engagement and providing a more immersive learning experience. Nissan Skyline R32 Gt R Electrical System A Service And Troubleshooting is one of the best book in our library for free trial. We provide copy of Nissan Skyline R32 Gt R Electrical System A Service And Troubleshooting in digital format, so the resources that you find are reliable. There are also many Ebooks of related with Nissan Skyline R32 Gt R Electrical System A Service And Troubleshooting. Where to download Nissan Skyline R32 Gt R Electrical System A Service And Troubleshooting online for free? Are you looking for

Nissan Skyline R32 Gt R Electrical System A Service And Troubleshooting PDF? This is definitely going to save you time and cash in something you should think about.

Find Nissan Skyline R32 Gt R Electrical System A Service And Troubleshooting :

omc service manual 1984

olympus camedia c 5060 manual

olympus sp 800uz service manual

onan engine service manual cd

oldsmobile aurora repair manual

on economic inequality radcliffe lectures

on food and cooking the science and lore of the kitchen

old testament speaks 5th edition a complete survey of old testament histo

~~om een eekhoorn gellustreerd door corrie van der baan~~

onan 4ky fa26100j manual

omc 140 repair manual

oliver 4240 plow manual

old pauls cathedral william benham

omnilab advanced manual

olevia service manual

Nissan Skyline R32 Gt R Electrical System A Service And Troubleshooting :

tormax control panel code - Apr 18 2022

web 2 tormax control panel code 2020 11 21 colonial and post colonial wrongs from the perspective of international law in particular international criminal law in addition to a dozen case studies the book offers analyses based on legal concepts such as subjugation debellatio continuing crime and transfer of civilians as well as

tormax products downloads - Sep 23 2022

web downloads you will find information here about our products which is valuable and useful in your design work you need the free acrobat reader to open the pdfs

instructions for use tormax - Sep 04 2023

web 4 2 operation with the tormax user interface 12 4 3 operation with an operating mode switch 13 control system imotion mcu32 mains connection 1 x 230 v ac 10 16 a 1 x 115 v ac 15 20 a 50 guide lines and generally recognised codes of practice that they are able to assess

instructions for use tormax - Jul 02 2023

web panel of the drive initial commissioning swing door system contact system no manufactured tormax wt 306 e 2 20 next service din 18650 1 2010 4 3 4 0 12 for electrical connection values please refer to the operating instructions and the system test book 000 000 00 mm yyyy dd mm yyyy 219

installation service manual for tx9200 tx9500 series - Apr 30 2023

web function control panel inst and operation 14 i one sensor installation 15 signage 16 powering up the tx9200 17 initial start up final checklist trouble shooting guide fault code diagnosis descriptions terminal designation tcp 51lc auto configuration tcp 51lc tcp 51 lc wiring diagram building codes note tormax automatic recommends

instructions for use tormax - Oct 05 2023

web 4 2 traffic control 11 4 3 automatic system monitoring 11 5 operation 13 5 1 commissioning 13 5 2 operation with the tormax user interface 13 5 3 operation with an operating mode switch 14 5 4 operation on power failure 14 6 procedure in the event of a guide lines and generally recognised codes of practice that they are able to

general - Jan 28 2023

web control panel tn110 control box to tn110 operator encoder cable motor cable 110v ac in linbus cable 75 0 10 amps supplied by tormax left hand operator with center pivot application sheet of 7 imotion tn 110 in floor swing door operator with surface mounted floor box tormax usa inc 4 electrical details notes

pdf tormax control panel code cyberlab sutd edu sg - Jun 20 2022

web tormax control panel code research summary apr 28 2023 organizational and direct support maintenance repair parts and special tools list instructions for use of the combined panel code raf airfield control signals jun 30 2023 developing applications using outlook 2000 cdo exchange and visual basic

tormax control panel code implantes odontocompany com - Mar 18 2022

web 2 tormax control panel code 2023 09 08 solutions to retro fitting existing buildings are discussed as well as the methods used to assess the suitability of an existing building and assembling a project to improve access for disabled people specific products and designs are illustrated and discussed with full working technical drawings and

instructions for use tormax - Mar 30 2023

web control system control unit 2101 mcu42 cou a control unit 2101 mcu42 cou b mains connection 230 115 v ac 230 v ac nominal voltage max 0 95 1 9 a 1 9 a nominal frequency 50 60 hz power consumption 190 w motor 24 v dc 2 7 a sensor

supply 24 v dc 0 75 a protective class drive ip 20 ambient temperature 20 c to 50 c

opening the doors of the world tormax - Nov 25 2022

web function control panel changing the operating characteristics and door parameters of any door in the tx9000 series is a simple task with the function control panel standard with all slide door systems the door can be field adjusted to meet any operating condition tormax 7501 the tormax 7501 sensor is a self

tormax 10mg tablet view uses side effects price and - May 20 2022

web feb 19 2020 the common side effects of tormax 10mg tablet include headache dizziness dehydration constipation decreased blood pressure and stomach upset some of the serious side effects of tormax 10mg tablet include dehydration and electrolyte imbalance rapid or excessive weight loss vomiting blood chest pain difficulty breathing

tormax products systems sensors and controls manual controls - Oct 25 2022

web tx9600tlsr two and four panel trackless smoke rated tx9620 tx9620 single telescoping with guide track tx9630 tx9630tl single telescoping trackless tx9630tlsr single telescoping trackless smoke rated tx9650 tx9650 manual swing units one or two panel configuration tx9650sr manual swing units one or two

tormax 1102 installation and service manual pdf - Aug 03 2023

web modes of operation can be selected with either the standard 3 position switch or the optional 6 position functional control panel fcp the technician will review the appropriate mode switch with the end user standard optional 1102 1201 1102 1201 key 1 1 off mode 2 automatic mode page 7 components overview

for automatic tormax doors with control system tcp 51 tcp - Jun 01 2023

web this document has validity for automatic tormax door systems with tcp control systems of types tcp 51 tcp 51lc or tcp 101 this concerns to the following door systems with control system tcp 51 drive tep drive tep ip65 drive tkp drive tsp drive top with control system tcp 51lc drive tlp with control system tcp 101 drive txp

140190 function control panel automatics more - Jul 22 2022

web flat rate shipping 140190 tormax tx9000 function control panel

tormax fault codes - Feb 26 2023

web tormax fault codes tormax fault codes for automatic tormax doors with control system tcp instructions for use 1301 swing door drive 1301 s swing for automatic swing doors with tormax control system tcp tormax automatic door systems curved drive txp bog automatic door systems tormax tx9200 manual 1 electrical

tormax control panel code staging mphasetech com - Feb 14 2022

web 4 tormax control panel code 2022 01 24 used for a qa programme for the optimal detection of early stage breast cancer within a digital environment intended for use by member states that are now using digital mammograph y or that are

assessing the implications of using digital mammography it addresses major areas such as

tx9000 parts catalog v131 tormax - Aug 23 2022

web www tormaxusa com us801558 surface mount box function control panel us801557 cover plate us801556 mounting bracket function control panel us801636 ixio dti motion presence sensor us802001 ixio 19 plug n play cable for imotion 210 494 3551 140226 lockout

tormax automatic door systems swing doors sliding - Dec 27 2022

web tormax 1102 tormax 1201 imotion 1301 imotion 1302 ki imotion 1401 sliding doors sliding door systems tormax hermetic tormax secure therm sliding

experience and expression wayne state university press - Aug 14 2023

web the collection explores an array of fascinating topics rescue and resistance the treatment of roma and sinti women the fate of female forced laborers holocaust politics nurses

women s expressions - Oct 24 2021

web sep 15 2023 mexico currently has the world s second highest toll after brazil for the killings of transgender people a small altar with images of trans woman paola buenrostro in the

experience and expression women the nazis and the - Dec 26 2021

web 7 hours ago women s national basketball association wnba averaging roughly 560 000 television viewers per game on pace to be the most watched regular season in over 20

6 soldiers of christ charged with murder after woman found in - May 19 2021

web a woman s experience is a 1919 silent film drama directed by perry n vekroff and starring sam hardy and mary boland it was filmed in 1918 and released in early 1919 1 this

experience and expression women the nazis and the holocaust - Mar 29 2022

web feb 1 2003 jewish book world experience and expression women the nazis and the holocaust is an important collection of essays on the holocaust built on the

expression écrite sur le rôle de la femme alloschool - Feb 13 2021

a huge summer for women s sport viewership and attendance - Nov 24 2021

web thanks to the bank of montreal women s expressions fundraising 2015 in 2015 the bank of montreal supported women s expressions for a second time the calendars

experience and expression women the nazis and the - Jan 07 2023

web feb 1 2003 experience and expression women the nazis and the holocaust by elizabeth r baer editor 4 27 rating details

11 ratings 0 reviews despite the fact

women s experiences of the meaning of empowerment - Nov 05 2022

web women s voices have given rise to many powerful accounts of the holocaust and yet few researchers have analysed these perspectives to learn what the horrifying events meant

experience and expression women the nazis and the holocaust - Jun 12 2023

web experience and expression women the nazis and the holocaust the many powerful accounts of the holocaust have given rise to women s voices and yet few researchers

a woman s experience wikipedia - Apr 17 2021

web sep 12 2023 rebecca wright cnn cnn the democratic candidate in a competitive virginia house district denounced reports that she and her husband had performed

virginia democratic house candidate susanna gibson condemns - Mar 17 2021

web expression écrite sur le rôle de la femme expression écrite 2nd semestre français 3ème année collège alloschool

experience and expression women the nazis and - Jul 01 2022

web the collection explores an array of fascinating topics rescue and resistance the treatment of roma and sinti women the fate of female forced laborers holocaust politics nurses

a mausoleum for transgender women is inaugurated in mexico s - Sep 22 2021

web 10 hours ago friday 15 september 2023 04 30 manchester united can confirm that alyssa aherne will spend the 2023 24 campaign on loan at fellow women s super league side

experience and expression women the nazis and the holocaust - Aug 02 2022

web equality neutrality particularity perspectives on women and the holocaust john k roth 2 women and the holocaust analyzing gender difference pascale rachel bos pt

man utd women winger alyssa aherne joins everton on loan - Aug 22 2021

web expression definition the act of expressing or setting forth in words the free expression of political opinions see more *minnesota man is accused of waterboarding and assaulting a* - Jun 19 2021

web 22 hours ago sept 14 2023 4 58 pm pdt by antonio planas five adults and a juvenile have been charged with murder after a 70 pound woman who had been beaten and

experience and expression women the nazis and the - Jan 27 2022

web 02 01 2003 publisher wayne state university press experience and expression women the nazis and the holocaust edition 1 by anna rosmus catherine a bernard john k

effects of emotion related stereotype messages on - Mar 09 2023

web dec 1 2005 experience and expression women the nazis and the holocaust elizabeth r baer and myrna goldenberg eds
detroit wayne state university press

project muse experience and expression - Apr 10 2023

web jun 30 2021 using an experimental design young women were randomly assigned to hear and read one of four
messages directly or indirectly describing females emotional

the expressions of dissent and art from the women s protests in - Sep 03 2022

web the collection explores an array of fascinating topics rescue and resistance the treatment of roma and sinti women the
fate of female forced laborers holocaust politics nurses

experience and expression women the nazis and the holocaust - May 31 2022

web experience and expression women the nazis and the holocaust ebook written by elizabeth r baer read this book using
google play books app on your pc android

experience and expression women the nazis and the holocaust - Jul 13 2023

web feb 1 2003 experience and expression women the nazis and the holocaust author elizabeth r baer editors elizabeth r
baer myrna goldenberg publisher wayne

experience and expression women the nazis and the - Dec 06 2022

web abstract the purpose of this exploratory study is to understand and develop the concept of empowerment from a
theoretical and a practical perspective with a particular focus on

experience and expression women the nazis and the holocaust - Feb 25 2022

web feb 24 2005 experience and expression women the nazis and the holocaust review experience and expression women
the nazis and the holocaust review

experience and expression women the nazis and the holocaust - May 11 2023

web the collection explores an array of fascinating topics rescue and resistance the treatment of roma and sinti women the
fate of female forced laborers holocaust politics nurses

experience and expression women the nazis and the - Oct 04 2022

web sep 11 2023 woman life freedom a book edited by malu halasa documents the iranian people and their artistic creations
following the death of mahsa amini in

experience and expression women the nazis and the - Feb 08 2023

web jan 1 2005 at the heart of experience and expression is an interest in tackling theoretical issues particularly the
questions of why studies of women in the holocaust

expression definition meaning dictionary com - Jul 21 2021

web 1 day ago sept 14 2023 12 06 pm pdt by julianne mcshane a 19 year old minnesota man is accused of waterboarding and brutally physically and sexually assaulting a

experience and expression women the nazis and the holocaust - Apr 29 2022

web feb 28 2003 experience and expression women the nazis and the holocaust is an important collection of essays on the holocaust built on the foundation of previous work

historia e zhvillimit te matematikes ppt slideshare - Oct 09 2023

web jun 11 2013 historia e zhvillimit te matematikes 2 qëllimi të njohim historikun e zhvillimit të shkencës së matematikës në shekuj të krijojmë konceptet e nevojshme mbi

lidhja e matematikes me historine - Jan 20 2022

matematika ne lidhje me lendet e tjera slide share ppt - Aug 07 2023

web histori e shkurtër e matematikës shqiptare në këtë listë kriteret e përzgjedhjes janë paraqitja e punës së tyre në mathscinet ose zentralblatt math këto janë organe të

matematika ne lidhje me shkencat e tjera by emanuel - Jun 05 2023

web fjala matematikë vjen nga gjuha e lashtë greke μάθημα máthema që do të thotë mësim studim shkencë përveç kësaj ajo përgjatë kohëve ka marrë një kuptim më të ngushtë

lidhja e matematikes me historine uniport edu - Nov 17 2021

lidhja e matematikës me lëndët tjera by granit lisi on prez next - Jul 26 2022

web mar 8 2018 lidhëza është pjesë e pandryshueshme e ligjëratës që shërben për të lidhur fjalë grupe fjalësh ose fjali midis tyre sipas funksionit lidhëzat ndahen në lidhëza

lidhja e matematikes me lendet e tjera ppt - Dec 31 2022

web 4 literatura 7 teknologji le të fillojmë gracias para la atencion hermosos seres humanos lidhja e matematikës me lëndët tjera me cilat lëndë lidhet si lidhet me ato lëndë 5

historia e matematikës shqiptare wikipedia - May 04 2023

web mar 15 2021 punoi vaselina jonuzi matematika matematika eshte kudo matematika eshte kudo me te vertete kudo dhomat e shtepise jane ne forme kubi cdo

ppt historia e matematikes altin celo academia edu - Apr 03 2023

web hyrje në shkencën e matematikës metodat analitike dhe metodat llogaritëse numerike janë zhvilluar paralelisht gjatë gjithë historisë së zhvillimit të saj

powtoon lidhja e matematikes me gjeografine - Jun 24 2022

web pronouncement as without difficulty as keenness of this lidhja e matematikes me historine can be taken as capably as picked to act quantitative analysis in archaeology

lidhja e matematikës me fizikën pdf scribd - Sep 27 2022

web as this lidhja e matematikes me historine it ends up instinctive one of the favored book lidhja e matematikes me historine collections that we have this is why you remain in

lidhja e matematikes me historine - Apr 22 2022

web lidhja e matematikes me historine 2 8 downloaded from uniport edu ng on july 18 2023 by guest authors offer extensive commentaries on inputs and outputs of computer

lidhja e matematikes me edukimin fizik by eneja hasani prezi - Mar 22 2022

matematika ne lidhje me gjeografine by xhoi picaku prezi - Aug 27 2022

web lidhja e matematikes me shkencat e tjera eneja hasani lidhja e matematikes me edukimin fizik title matjet trupore mesuesit e edukimit fizik bejne matjet trupore per te

lidhja e matematikës me mjeksinë by vaselina jonuzi prezi - Nov 29 2022

web jan 31 2016 lidhja e matematikes me gjeografine by boricigenta updated jan 31 2016 5 16 p m loading sign up for free to create engaging inspiring and converting

matematike shprehje ppt slideshare - Feb 01 2023

web lidhja e matematikes me gjeografine koordinatat gjeografike koordinatat gjeografike matematika lidhet me koordinatat gjeografike koordinatat në gjeografi përdoren për të

teknologjia moderne në mësimdhënien e - Oct 29 2022

web lidhja e matematikes me historine thank you very much for downloading lidhja e matematikes me historine as you may know people have search hundreds times for

lidhja e matematikes me historine uniport edu - Dec 19 2021

matematika dhe lidhja e saj me shkencat dhe fushat e tjera te jetes - Jul 06 2023

web matematika ka depërtuar edhe në ato degë të shkencës në të cilat deri para pak kohe as që ishte e imagjinueshme shumica e simboleve që përdoren sot në matematikë nuk ishin

matematika wikipedia - Mar 02 2023

web matematikn me fizikn e lidhin nj sr formulash qe shrbejn pr gjetjen e vlerave t madhsive fizike shpejtsia rruga e prshkuar

masa nxitimi pesha forca gravitacionale forcat

[lidhja e matematikes me lendet e tjera ppt](#) - Sep 08 2023

web sot statistika përdoret gjerësisht në biznes qeveri dhe shkencat natyrore lidhja e matematikes me fiziken matematikën me fizikën e lidhin një sërë formulash qe

lidhëza studentet - Feb 18 2022

lidhja e matematikes me historine pdf uniport edu - May 24 2022

web jul 9 2023 lidhja e matematikes me historine 1 9 downloaded from uniport edu ng on july 9 2023 by guest lidhja e matematikes me historine getting the books lidhja e