

Figure 9. Location of Visual Level Indicator on 5000, 6000 Series Models Without Dropbox – Left-Side View

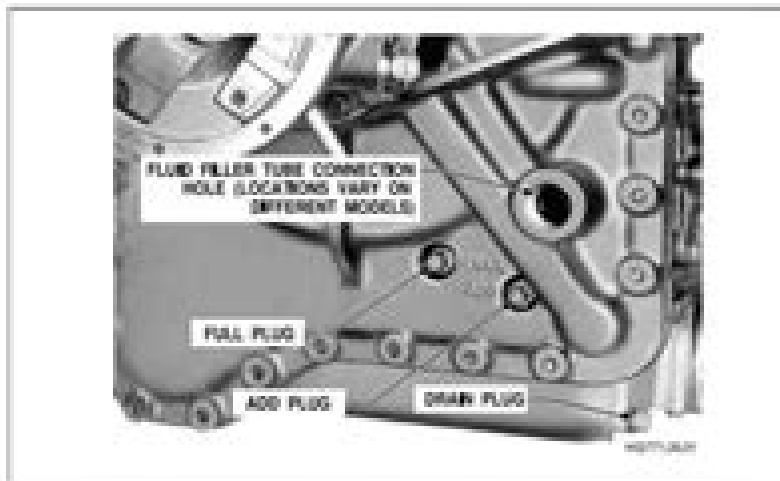


Figure 10. 5000, 6000 Series Models ADD Plug Location

Cold Check (5000, 6000 Series With Dropbox).



NOTE: The purpose of a Cold Check is to determine if there is enough fluid for the transmission to be safely operated until a Hot Check can be performed.



NOTE: 5000, 6000 Series transmissions with a dropbox do not have a Visual Level Indicator.

1. Before starting the engine, remove the FULL (upper) plug (refer to Figure 11).
2. The fluid must be at or above the FULL plug before the engine is started.
3. If fluid is below the FULL plug, add fluid as necessary to bring fluid to the FULL plug level. Replace the FULL plug.
4. Perform a Hot Check at the first opportunity after normal operating temperature is reached.

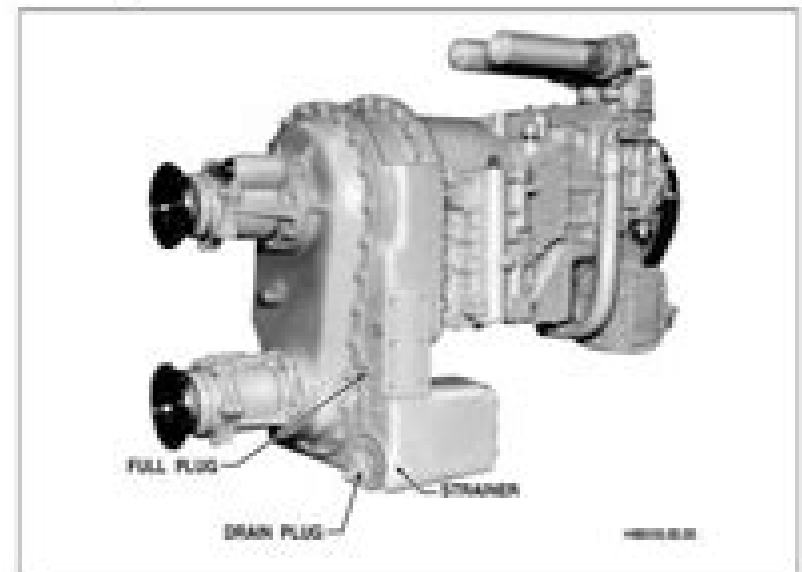


Figure 11. 5000, 6000 Series Models With Dropbox – Full Plug Location

Parts Manual Allison 8000

G Orfield



Parts Manual Allison 8000:

Unveiling the Magic of Words: A Overview of "**Parts Manual Allison 8000**"

In a global defined by information and interconnectivity, the enchanting power of words has acquired unparalleled significance. Their power to kindle emotions, provoke contemplation, and ignite transformative change is truly awe-inspiring. Enter the realm of "**Parts Manual Allison 8000**," a mesmerizing literary masterpiece penned by a distinguished author, guiding readers on a profound journey to unravel the secrets and potential hidden within every word. In this critique, we shall delve to the book is central themes, examine its distinctive writing style, and assess its profound impact on the souls of its readers.

https://correiodobrasil.blogosfero.cc/results/publication/Download_PDFS/mitsubishi_carisma_workshop_service_manual_1996_2003.pdf

Table of Contents Parts Manual Allison 8000

1. Understanding the eBook Parts Manual Allison 8000
 - The Rise of Digital Reading Parts Manual Allison 8000
 - Advantages of eBooks Over Traditional Books
2. Identifying Parts Manual Allison 8000
 - Exploring Different Genres
 - Considering Fiction vs. Non-Fiction
 - Determining Your Reading Goals
3. Choosing the Right eBook Platform
 - Popular eBook Platforms
 - Features to Look for in an Parts Manual Allison 8000
 - User-Friendly Interface
4. Exploring eBook Recommendations from Parts Manual Allison 8000
 - Personalized Recommendations
 - Parts Manual Allison 8000 User Reviews and Ratings

- Parts Manual Allison 8000 and Bestseller Lists
- 5. Accessing Parts Manual Allison 8000 Free and Paid eBooks
 - Parts Manual Allison 8000 Public Domain eBooks
 - Parts Manual Allison 8000 eBook Subscription Services
 - Parts Manual Allison 8000 Budget-Friendly Options
- 6. Navigating Parts Manual Allison 8000 eBook Formats
 - ePub, PDF, MOBI, and More
 - Parts Manual Allison 8000 Compatibility with Devices
 - Parts Manual Allison 8000 Enhanced eBook Features
- 7. Enhancing Your Reading Experience
 - Adjustable Fonts and Text Sizes of Parts Manual Allison 8000
 - Highlighting and Note-Taking Parts Manual Allison 8000
 - Interactive Elements Parts Manual Allison 8000
- 8. Staying Engaged with Parts Manual Allison 8000
 - Joining Online Reading Communities
 - Participating in Virtual Book Clubs
 - Following Authors and Publishers Parts Manual Allison 8000
- 9. Balancing eBooks and Physical Books Parts Manual Allison 8000
 - Benefits of a Digital Library
 - Creating a Diverse Reading Collection Parts Manual Allison 8000
- 10. Overcoming Reading Challenges
 - Dealing with Digital Eye Strain
 - Minimizing Distractions
 - Managing Screen Time
- 11. Cultivating a Reading Routine Parts Manual Allison 8000
 - Setting Reading Goals Parts Manual Allison 8000
 - Carving Out Dedicated Reading Time
- 12. Sourcing Reliable Information of Parts Manual Allison 8000
 - Fact-Checking eBook Content of Parts Manual Allison 8000
 - Distinguishing Credible Sources

13. Promoting Lifelong Learning
 - Utilizing eBooks for Skill Development
 - Exploring Educational eBooks
14. Embracing eBook Trends
 - Integration of Multimedia Elements
 - Interactive and Gamified eBooks

Parts Manual Allison 8000 Introduction

Free PDF Books and Manuals for Download: Unlocking Knowledge at Your Fingertips In today's fast-paced digital age, obtaining valuable knowledge has become easier than ever. Thanks to the internet, a vast array of books and manuals are now available for free download in PDF format. Whether you are a student, professional, or simply an avid reader, this treasure trove of downloadable resources offers a wealth of information, conveniently accessible anytime, anywhere. The advent of online libraries and platforms dedicated to sharing knowledge has revolutionized the way we consume information. No longer confined to physical libraries or bookstores, readers can now access an extensive collection of digital books and manuals with just a few clicks. These resources, available in PDF, Microsoft Word, and PowerPoint formats, cater to a wide range of interests, including literature, technology, science, history, and much more. One notable platform where you can explore and download free Parts Manual Allison 8000 PDF books and manuals is the internet's largest free library. Hosted online, this catalog compiles a vast assortment of documents, making it a veritable goldmine of knowledge. With its easy-to-use website interface and customizable PDF generator, this platform offers a user-friendly experience, allowing individuals to effortlessly navigate and access the information they seek. The availability of free PDF books and manuals on this platform demonstrates its commitment to democratizing education and empowering individuals with the tools needed to succeed in their chosen fields. It allows anyone, regardless of their background or financial limitations, to expand their horizons and gain insights from experts in various disciplines. One of the most significant advantages of downloading PDF books and manuals lies in their portability. Unlike physical copies, digital books can be stored and carried on a single device, such as a tablet or smartphone, saving valuable space and weight. This convenience makes it possible for readers to have their entire library at their fingertips, whether they are commuting, traveling, or simply enjoying a lazy afternoon at home. Additionally, digital files are easily searchable, enabling readers to locate specific information within seconds. With a few keystrokes, users can search for keywords, topics, or phrases, making research and finding relevant information a breeze. This efficiency saves time and effort, streamlining the learning process and allowing individuals to focus on extracting the information they need. Furthermore, the availability of free PDF books and manuals fosters a culture of continuous learning. By removing

financial barriers, more people can access educational resources and pursue lifelong learning, contributing to personal growth and professional development. This democratization of knowledge promotes intellectual curiosity and empowers individuals to become lifelong learners, promoting progress and innovation in various fields. It is worth noting that while accessing free Parts Manual Allison 8000 PDF books and manuals is convenient and cost-effective, it is vital to respect copyright laws and intellectual property rights. Platforms offering free downloads often operate within legal boundaries, ensuring that the materials they provide are either in the public domain or authorized for distribution. By adhering to copyright laws, users can enjoy the benefits of free access to knowledge while supporting the authors and publishers who make these resources available. In conclusion, the availability of Parts Manual Allison 8000 free PDF books and manuals for download has revolutionized the way we access and consume knowledge. With just a few clicks, individuals can explore a vast collection of resources across different disciplines, all free of charge. This accessibility empowers individuals to become lifelong learners, contributing to personal growth, professional development, and the advancement of society as a whole. So why not unlock a world of knowledge today? Start exploring the vast sea of free PDF books and manuals waiting to be discovered right at your fingertips.

FAQs About Parts Manual Allison 8000 Books

How do I know which eBook platform is the best for me? Finding the best eBook platform depends on your reading preferences and device compatibility. Research different platforms, read user reviews, and explore their features before making a choice. Are free eBooks of good quality? Yes, many reputable platforms offer high-quality free eBooks, including classics and public domain works. However, make sure to verify the source to ensure the eBook credibility. Can I read eBooks without an eReader? Absolutely! Most eBook platforms offer webbased readers or mobile apps that allow you to read eBooks on your computer, tablet, or smartphone. How do I avoid digital eye strain while reading eBooks? To prevent digital eye strain, take regular breaks, adjust the font size and background color, and ensure proper lighting while reading eBooks. What the advantage of interactive eBooks? Interactive eBooks incorporate multimedia elements, quizzes, and activities, enhancing the reader engagement and providing a more immersive learning experience. Parts Manual Allison 8000 is one of the best book in our library for free trial. We provide copy of Parts Manual Allison 8000 in digital format, so the resources that you find are reliable. There are also many Ebooks of related with Parts Manual Allison 8000. Where to download Parts Manual Allison 8000 online for free? Are you looking for Parts Manual Allison 8000 PDF? This is definitely going to save you time and cash in something you should think about. If you trying to find then search around for online. Without a doubt there are numerous these available and many of them have the freedom. However without doubt you receive whatever you

purchase. An alternate way to get ideas is always to check another Parts Manual Allison 8000. This method for see exactly what may be included and adopt these ideas to your book. This site will almost certainly help you save time and effort, money and stress. If you are looking for free books then you really should consider finding to assist you try this. Several of Parts Manual Allison 8000 are for sale to free while some are payable. If you arent sure if the books you would like to download works with for usage along with your computer, it is possible to download free trials. The free guides make it easy for someone to free access online library for download books to your device. You can get free download on free trial for lots of books categories. Our library is the biggest of these that have literally hundreds of thousands of different products categories represented. You will also see that there are specific sites catered to different product types or categories, brands or niches related with Parts Manual Allison 8000. So depending on what exactly you are searching, you will be able to choose e books to suit your own need. Need to access completely for Campbell Biology Seventh Edition book? Access Ebook without any digging. And by having access to our ebook online or by storing it on your computer, you have convenient answers with Parts Manual Allison 8000 To get started finding Parts Manual Allison 8000, you are right to find our website which has a comprehensive collection of books online. Our library is the biggest of these that have literally hundreds of thousands of different products represented. You will also see that there are specific sites catered to different categories or niches related with Parts Manual Allison 8000 So depending on what exactly you are searching, you will be able to choose ebook to suit your own need. Thank you for reading Parts Manual Allison 8000. Maybe you have knowledge that, people have search numerous times for their favorite readings like this Parts Manual Allison 8000, but end up in harmful downloads. Rather than reading a good book with a cup of coffee in the afternoon, instead they juggled with some harmful bugs inside their laptop. Parts Manual Allison 8000 is available in our book collection an online access to it is set as public so you can download it instantly. Our digital library spans in multiple locations, allowing you to get the most less latency time to download any of our books like this one. Merely said, Parts Manual Allison 8000 is universally compatible with any devices to read.

Find Parts Manual Allison 8000 :

[mitsubishi carisma workshop service manual 1996 2003](#)

[mitsubishi hc5500 lcd projector service manual](#)

[mitsubishi endeavor complete workshop repair manual 2004 2005 2006 2007 2008 2009](#)

[mitsubishi dealer mechanic manual](#)

[mitsubishi parts manual for 4m40 motor](#)

[mitsubishi colt 2008 manual](#)

[mitsubishi pajero sport electrical wiring diagrams 1999 2000 2001 2002](#)

[mitsubishi infotainment manual](#)

[mitsubishi l200 triton 2002 repair service manual](#)

[mitsubishi chariot 96 manual](#)

[mitsubishi mr slim operating manual](#)

[mitsubishi express 2007 workshop manual](#)

[mitsubishi pajero user manual 4m40](#)

[mitsubishi pajero 4m42 engine manual](#)

[mitsubishi engines workshop manual 1990-2002](#)

Parts Manual Allison 8000 :

[partsouq auto parts around the world](#) - Aug 23 2023

web with partsouq com purchasing oem body parts engine parts etc will be fluent and pleasant process it will be no problem for you to find and order for example oem subaru parts honda civic oem parts toyota uk parts or any other auto spare parts

[search for parts buying auto parts around the world auto parts](#) - Mar 18 2023

web 7zap is an international auto parts trading platform 7zap com combines the interests of sellers and buyers of auto parts in one resource oem and aftermarket catalogs of our site make it easy to find buy and sell spare parts from anywhere in the world

[genuine parts catalogs partsouq](#) - Dec 15 2022

web partsouq auto parts around the world

[all parts automotive ltd world of parts from turkey](#) - Jun 21 2023

web tüm araçlara uygun modelleri ile all parts filtre grubundan uygun fiyatlı ürün siparisleriniz için b2b sistemimize giriş yapın goetze pistonları tüm ürün çeşitliliği ile stoklarımızda mevcuttur detaylı bilgi için b2b sistemimize giriniz valeo debriyaj setlerinde 20 lere varan kampanya mevcuttur

[antalya kepez adm auto parts yedek parça aksesuar](#) - Apr 19 2023

web adm auto parts otomotiv ekipmanları yedek parça aksesuar donanım tuning ürünleri mi arıyorsunuz otomotiv ekipmanları yedek parça aksesuar donanım tuning ürünleri fiyatları ve modelleri ücretsiz kargo seçenekleriyle sahibinden com da

[oem car parts modelleri fiyatları ve Ürünleri hepsiburada](#) - Jul 22 2023

web oem car parts 10 led w5w tip 15 ledli mini boy park plaka tavan iç aydınlatma ledi beyaz 155 00 tl toplam 1 1 ürün oem car parts modelleri ve ürünleri en uygun fiyatlar ile hepsiburada com da en ucuz oem car parts modelleri ve kampanyalar

hakkında bilgi almak için tıklayın

sıde parts yedek parça ve tarım makinaları İthalat - Jan 16 2023

web mar 22 2017 makına ve ekipmanlari meslek grubunda manavgat antalya bölgesinde tarım hayvancılık ve ormancılık makine ve ekipmanları ile aksam ve parçalarının toptan ticareti traktör tarımsal römork pulluk gübre yayma makinesi mibzer biçer döver süt sağma makinesi kümes hayvanları makineleri arıcılık makineleri vb

renaultparts a part of you multi brand spare parts - Sep 24 2023

web renaultparts free online spare parts ordering tool for renault and other brands aimed at multi brand independant workshops unique offers access 200 000 spare part numbers 150 vehicle models renault s quality and service is just a few clicks away

digikey electronic components distributor - Feb 17 2023

web nidec components pg 30 pressure gauges use semiconductor sensors chips that are made in house which insures excellent electrical and mechanical performance these pressure gauges are ideal for use in pneumatic equipment automated assembly systems and semiconductor manufacturing equipment learn more

rockauto - May 20 2023

web rockauto ships auto parts and body parts from over 300 manufacturers to customers doors worldwide all at warehouse prices easy to use parts catalog rockauto

millionaire marketing on a shoestring budget bonus 8 - Aug 26 2022

web millionaire marketing on a shoestring budget bonus 8 success principles for engaging and building rewarding social networking relationships let s get engaged no i m not proposing wedded bliss what i m talking about is the art of engagement when interacting on social networks

marketing on a shoestring budget medium - Mar 01 2023

web dec 7 2022 luckily there are still ways to get your message out there without breaking the bank let s take a look at some of the ways you can maximize your reach on a shoestring budget 1 analyze your audience your marketing plan should take its lead from this the first thing you should do is take an in depth look at your target audience

millionaire marketing on a shoestring budget how to attract a - Aug 06 2023

web buy millionaire marketing on a shoestring budget how to attract a steady stream of happy clients make more money and live your dream by jason debra online on amazon ae at best prices fast and free shipping free returns cash on delivery available on eligible purchase

marketing on a shoestring budget - Oct 28 2022

web luckily there are ways to market even if you don t have a million dollar budget marketing on a shoestring budget takes

some work but it is doable better still your marketing efforts can be wildly rewarding if you use one or more of the following six tips 1 make content marketing a priority

buy millionaire marketing on a shoestring budget how to attract - Nov 28 2022

web amazon in buy millionaire marketing on a shoestring budget how to attract a steady stream of happy clients make more money and live your dreams how to attract a

praise for millionaire marketing on a shoestring budget - May 23 2022

web millionaire marketing on a shoestring budget how to attract a steady stream of happy clients make more money and live your dream

how and why to market your business on a shoestring budget - Dec 30 2022

web oct 17 2021 even companies on shoestring budgets can execute great marketing campaigns effective social media presence and content marketing can help you hold on to current customers they can let you each new ones as well

how to market your business on a shoestring budget emyth - Sep 26 2022

web marketing your business on a shoestring budget requires the same strategic thinking and planning even if you are engaged in a no cost activity to promote your company or generate leads it will still exact a cost of time and effort

millionaire marketing on a shoestring budget - Oct 08 2023

web millionaire marketing on a shoestring budget is your road map to help you increase your odds of business success order your copy now and get ready to start attracting a steady stream of happy clients make more money and live your dream

millionaire marketing on a shoestring budget how to attract a - Sep 07 2023

web jan 15 2015 millionaire marketing on a shoestring budget how to attract a steady stream of happy clients make more money and live your dream kindle edition by debra jason author joel comm foreword format kindle edition 4 7 70 ratings

how to do marketing on a shoestring budget - May 03 2023

web regardless of the size of your business email marketing can be an efficient way to do marketing on a shoestring budget for every 1 you spend you should expect a return of about 32 with a smart approach a 100 word email

profitability millionaire marketing on a shoestring budget - Mar 21 2022

web ruth king talks to debra jason about her book millionaire marketing on a shoestring budgetfull interview at profitabilityrevolution com debra jasonlin

six ways to market your business on a shoestring budget - Jun 23 2022

web may 30 2019 6 ways to market your business on a shoestring budget tom werner taxi getty images by amanda mccormick updated on 05 30 19 is a marketing plan only for people with lots money to spend on a multi faceted advertising program not necessarily check out these tips for maximizing your exposure even when you have a

[millionaire marketing on a shoestring budget write direction](#) - Apr 02 2023

web millionaire marketing on a shoestring budget discovers ways from press releases to social media to affordably market your business

[millionaire marketing on a shoestring budget youtube](#) - Jul 25 2022

web she wrote the best selling book millionaire marketing on a shoestring budg debra jason is an author speaker copywriter mentor and marketing consultant

[loading interface goodreads](#) - Feb 17 2022

web discover and share books you love on goodreads

[13 marketing strategies that work on a shoestring budget forbes](#) - Jul 05 2023

web aug 29 2019 below 13 members of forbes new york business council offer their best advice to small businesses regarding marketing strategies that can work on shoestring budgets and why small business

21 ways to market your small business on a shoestring budget - Jan 31 2023

web oct 6 2023 thinking of ways to market your small business can be overwhelming especially considering the cost and return on investment big companies spend millions of dollars every year marketing and building their businesses small businesses have a similar need to get the word out but have much more modest budgets

[millionaire marketing on a shoestring budget how to attract a](#) - Jun 04 2023

web millionaire marketing on a shoestring budget how to attract a steady stream of happy clients make more money and live your dream jason debra amazon com be livres

[millionaire marketing on a shoestring budget how to attract a](#) - Apr 21 2022

web achetez et téléchargez ebook millionaire marketing on a shoestring budget how to attract a steady stream of happy clients make more money and live your dream english edition boutique kindle entrepreneurship amazon fr

the night watch description facts britannica - Jul 30 2023

web sep 29 2023 the night watch formally known as militia company of district ii under the command of captain frans banninck cocq the painting s simpler widely known title was erroneously given to it due to its thick dark yellow varnish is ostensibly a genre scene out of the 17th century dutch baroque painted in 1642 at the height of rembrandt s

the night watch tv movie 2011 imdb - Aug 19 2022

web jul 12 2011 the night watch tv movie 2011 tv 14 1h 29m imdb rating 6 4 10 1 2k your rating rate drama romance war in post war london viv pearce is dating reggie and runs a dating bureau with helen giniver who lives with her

[what does watches of night mean bible definition and references](#) - Feb 22 2023

web smith s bible dictionary watches of night watches of night the jews like the greeks and romans divided the night into

military watches instead of hours each watch representing the period for which sentinels or pickets remained on duty

2023 world series schedule times tv channel baseball live - Dec 23 2022

web oct 20 2023 the rangers face the arizona diamondbacks at chase field on wednesday night in world series game 5

follow live updates here the rangers up 3 1 need one win to clinch the title the rangers

it s the great pumpkin charlie brown how to watch on halloween night - Jan 24 2023

web 1 day ago those looking to watch the movie will need to head over to apple tv subscribers can watch it any time apple got exclusive rights to stream the peanuts holiday specials on apple tv back in

late night bids adieu to mike pence s presidential bid - Jul 18 2022

web 1 day ago welcome to best of late night a rundown of the previous night s highlights that lets you sleep and lets us get paid to watch comedy here are the 50 best movies on netflix right now

how to watch friends online stream series matthew perry - Mar 14 2022

web oct 30 2023 the best way to watch friends is through max formerly hbo max which has all 10 seasons of the hit comedy series available to stream online along with the 2021 friends reunion a subscription

the night watches pdf prayer worship scribd - Apr 26 2023

web an overview of the hours of prayer vigils the middle of the night the word vigils referring to night prayer comes from the latin vigiliae the nocturnal watches of roman soldiers the night from six oclock in the evening to six oclock in the morning was divided into four watches of three hours each the first second third and fourth

the night watch wikipedia - Oct 01 2023

web the night watch is one of the most famous dutch golden age paintings rembrandt s large painting 363 by 437

centimetres 12 by 141 2 feet is famed for transforming a group portrait of a civic guard company into a compelling drama energized by light and shadow

what does night watches mean in the bible wellbeing port - Jun 16 2022

web aug 29 2022 the phrase watches of the night has been used since at least the book of mishna watches of the night the night time watch originally each of the three or four periods of time during which a watch or guard was kept into which the night was divided by the jews and romans table of contents show what is the meaning of watches of

how to watch raiders vs lions on monday night football - May 16 2022

web oct 29 2023 how can i watch monday night football espn coverage starts with monday night countdown from 6 to 8 et live from ford field in detroit michigan the game kicks off at 8 15 et on abc and espn

the night watches in scripture 53020 bible truth library - Mar 26 2023

web according to our way of reckoning time even or the evening watch is from 6 p m to 9 p m the midnight watch from 9 p m

