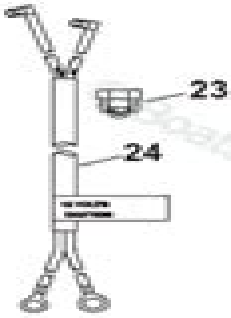
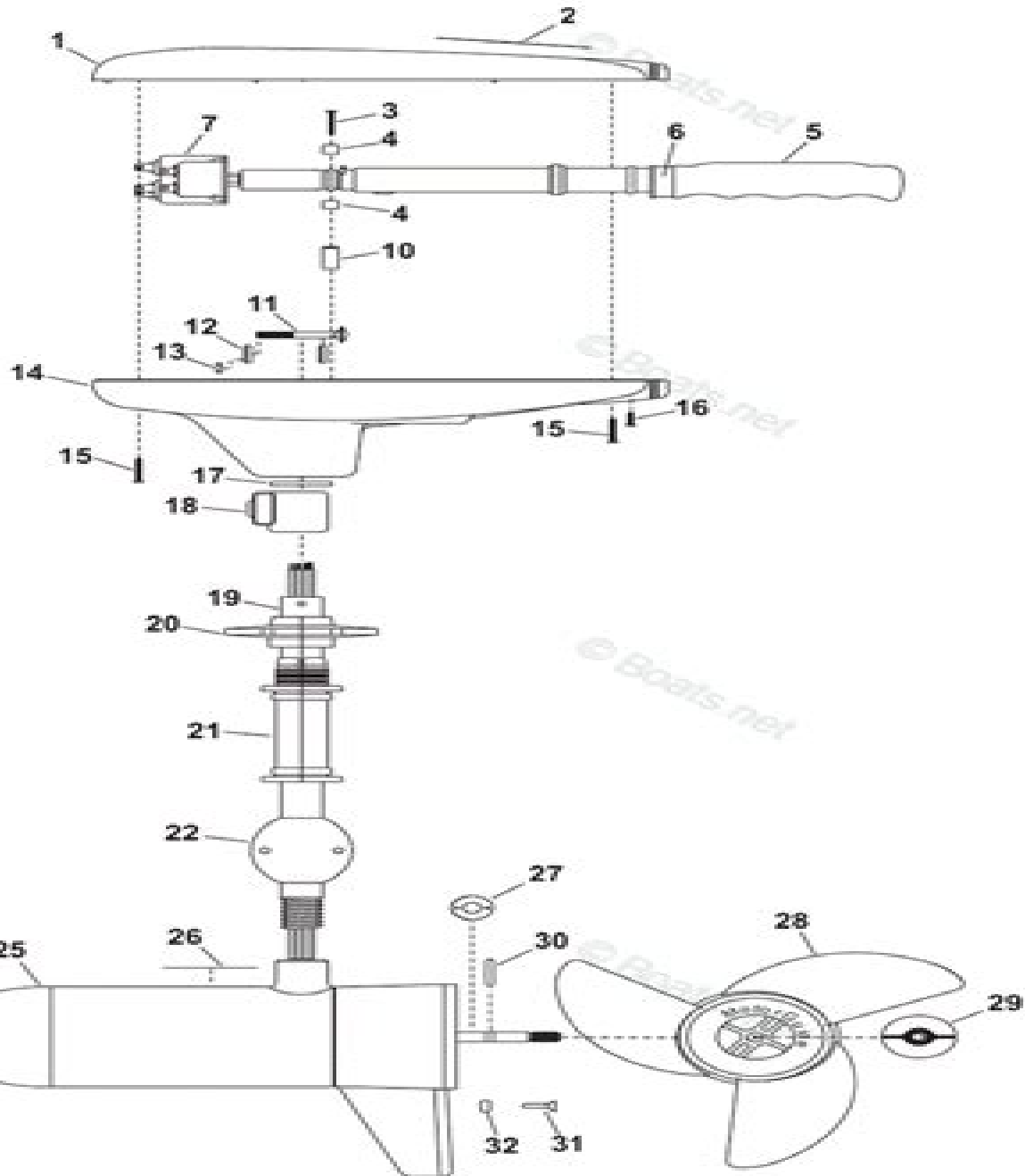


© Boats.net



© Boats.net

Motorguide Trolling Motor Replacement Parts

Ensheng Dong



Motorguide Trolling Motor Replacement Parts:

Right here, we have countless book **Motorguide Trolling Motor Replacement Parts** and collections to check out. We additionally present variant types and next type of the books to browse. The tolerable book, fiction, history, novel, scientific research, as capably as various further sorts of books are readily easy to get to here.

As this Motorguide Trolling Motor Replacement Parts, it ends stirring physical one of the favored book Motorguide Trolling Motor Replacement Parts collections that we have. This is why you remain in the best website to see the incredible book to have.

<https://correiodobrasil.blogoofero.cc/book/uploaded-files/Documents/men%20we%20reaped%20summary.pdf>

Table of Contents Motorguide Trolling Motor Replacement Parts

1. Understanding the eBook Motorguide Trolling Motor Replacement Parts
 - The Rise of Digital Reading Motorguide Trolling Motor Replacement Parts
 - Advantages of eBooks Over Traditional Books
2. Identifying Motorguide Trolling Motor Replacement Parts
 - Exploring Different Genres
 - Considering Fiction vs. Non-Fiction
 - Determining Your Reading Goals
3. Choosing the Right eBook Platform
 - Popular eBook Platforms
 - Features to Look for in an Motorguide Trolling Motor Replacement Parts
 - User-Friendly Interface
4. Exploring eBook Recommendations from Motorguide Trolling Motor Replacement Parts
 - Personalized Recommendations
 - Motorguide Trolling Motor Replacement Parts User Reviews and Ratings
 - Motorguide Trolling Motor Replacement Parts and Bestseller Lists
5. Accessing Motorguide Trolling Motor Replacement Parts Free and Paid eBooks

- Motorguide Trolling Motor Replacement Parts Public Domain eBooks
 - Motorguide Trolling Motor Replacement Parts eBook Subscription Services
 - Motorguide Trolling Motor Replacement Parts Budget-Friendly Options
6. Navigating Motorguide Trolling Motor Replacement Parts eBook Formats
 - ePub, PDF, MOBI, and More
 - Motorguide Trolling Motor Replacement Parts Compatibility with Devices
 - Motorguide Trolling Motor Replacement Parts Enhanced eBook Features
 7. Enhancing Your Reading Experience
 - Adjustable Fonts and Text Sizes of Motorguide Trolling Motor Replacement Parts
 - Highlighting and Note-Taking Motorguide Trolling Motor Replacement Parts
 - Interactive Elements Motorguide Trolling Motor Replacement Parts
 8. Staying Engaged with Motorguide Trolling Motor Replacement Parts
 - Joining Online Reading Communities
 - Participating in Virtual Book Clubs
 - Following Authors and Publishers Motorguide Trolling Motor Replacement Parts
 9. Balancing eBooks and Physical Books Motorguide Trolling Motor Replacement Parts
 - Benefits of a Digital Library
 - Creating a Diverse Reading Collection Motorguide Trolling Motor Replacement Parts
 10. Overcoming Reading Challenges
 - Dealing with Digital Eye Strain
 - Minimizing Distractions
 - Managing Screen Time
 11. Cultivating a Reading Routine Motorguide Trolling Motor Replacement Parts
 - Setting Reading Goals Motorguide Trolling Motor Replacement Parts
 - Carving Out Dedicated Reading Time
 12. Sourcing Reliable Information of Motorguide Trolling Motor Replacement Parts
 - Fact-Checking eBook Content of Motorguide Trolling Motor Replacement Parts
 - Distinguishing Credible Sources
 13. Promoting Lifelong Learning
 - Utilizing eBooks for Skill Development

- Exploring Educational eBooks
- 14. Embracing eBook Trends
 - Integration of Multimedia Elements
 - Interactive and Gamified eBooks

Motorguide Trolling Motor Replacement Parts Introduction

In this digital age, the convenience of accessing information at our fingertips has become a necessity. Whether its research papers, eBooks, or user manuals, PDF files have become the preferred format for sharing and reading documents. However, the cost associated with purchasing PDF files can sometimes be a barrier for many individuals and organizations. Thankfully, there are numerous websites and platforms that allow users to download free PDF files legally. In this article, we will explore some of the best platforms to download free PDFs. One of the most popular platforms to download free PDF files is Project Gutenberg. This online library offers over 60,000 free eBooks that are in the public domain. From classic literature to historical documents, Project Gutenberg provides a wide range of PDF files that can be downloaded and enjoyed on various devices. The website is user-friendly and allows users to search for specific titles or browse through different categories. Another reliable platform for downloading Motorguide Trolling Motor Replacement Parts free PDF files is Open Library. With its vast collection of over 1 million eBooks, Open Library has something for every reader. The website offers a seamless experience by providing options to borrow or download PDF files. Users simply need to create a free account to access this treasure trove of knowledge. Open Library also allows users to contribute by uploading and sharing their own PDF files, making it a collaborative platform for book enthusiasts. For those interested in academic resources, there are websites dedicated to providing free PDFs of research papers and scientific articles. One such website is Academia.edu, which allows researchers and scholars to share their work with a global audience. Users can download PDF files of research papers, theses, and dissertations covering a wide range of subjects. Academia.edu also provides a platform for discussions and networking within the academic community. When it comes to downloading Motorguide Trolling Motor Replacement Parts free PDF files of magazines, brochures, and catalogs, Issuu is a popular choice. This digital publishing platform hosts a vast collection of publications from around the world. Users can search for specific titles or explore various categories and genres. Issuu offers a seamless reading experience with its user-friendly interface and allows users to download PDF files for offline reading. Apart from dedicated platforms, search engines also play a crucial role in finding free PDF files. Google, for instance, has an advanced search feature that allows users to filter results by file type. By specifying the file type as "PDF," users can find websites that offer free PDF downloads on a specific topic. While downloading Motorguide Trolling Motor Replacement Parts free PDF files is convenient, its important to note that copyright laws must be respected. Always ensure

that the PDF files you download are legally available for free. Many authors and publishers voluntarily provide free PDF versions of their work, but its essential to be cautious and verify the authenticity of the source before downloading Motorguide Trolling Motor Replacement Parts. In conclusion, the internet offers numerous platforms and websites that allow users to download free PDF files legally. Whether its classic literature, research papers, or magazines, there is something for everyone. The platforms mentioned in this article, such as Project Gutenberg, Open Library, Academia.edu, and Issuu, provide access to a vast collection of PDF files. However, users should always be cautious and verify the legality of the source before downloading Motorguide Trolling Motor Replacement Parts any PDF files. With these platforms, the world of PDF downloads is just a click away.

FAQs About Motorguide Trolling Motor Replacement Parts Books

How do I know which eBook platform is the best for me? Finding the best eBook platform depends on your reading preferences and device compatibility. Research different platforms, read user reviews, and explore their features before making a choice. Are free eBooks of good quality? Yes, many reputable platforms offer high-quality free eBooks, including classics and public domain works. However, make sure to verify the source to ensure the eBook credibility. Can I read eBooks without an eReader? Absolutely! Most eBook platforms offer web-based readers or mobile apps that allow you to read eBooks on your computer, tablet, or smartphone. How do I avoid digital eye strain while reading eBooks? To prevent digital eye strain, take regular breaks, adjust the font size and background color, and ensure proper lighting while reading eBooks. What the advantage of interactive eBooks? Interactive eBooks incorporate multimedia elements, quizzes, and activities, enhancing the reader engagement and providing a more immersive learning experience. Motorguide Trolling Motor Replacement Parts is one of the best book in our library for free trial. We provide copy of Motorguide Trolling Motor Replacement Parts in digital format, so the resources that you find are reliable. There are also many Ebooks of related with Motorguide Trolling Motor Replacement Parts. Where to download Motorguide Trolling Motor Replacement Parts online for free? Are you looking for Motorguide Trolling Motor Replacement Parts PDF? This is definitely going to save you time and cash in something you should think about.

Find Motorguide Trolling Motor Replacement Parts :

~~men we reaped summary~~

mercedes benz 1990 1991 1992 1993 1994 1995 sl class 300sl 500sl owners owner s user operator manual

~~memoria mindanao classic reprint spanish~~

~~mercedes benz repair manual clk320~~

men and women of the renaissance and reformation

mene apne chote devar ko sikhaya

men on strike

~~mengzi with selections from traditional commentaries hackett classics~~

memories of mark memories of mark

memoires van gedenkschriften van minister pieter bas

mercedes 250 manual

mental health counseling progress notes

memorex dvd instruction manual

menumaster uc11e manual

~~mercedes a class instruction manual~~

Motorguide Trolling Motor Replacement Parts :

volkswagen golf v 2003 2009 workshop manual wiring diagrams - Sep 04 2022

web jan 24 2021 wiring diagram vw golf 2000 radiator fan control unit air conditioner switch ambient temperature switch temperature sender for compressor switch off get

vw golf 2000 body electrical wiring diagrams pin - Apr 30 2022

web wiring diagrams repair and maintenance manual for volkswagen golf mk 7 2012 2020 colored wiring diagrams engine and transmission diagnostics dtc error codes fuse

volkswagen golf pdf service workshop and repair - Nov 06 2022

web jul 22 2020 air conditioning manual a c wiring diagram for volkswagen golf gl 2000 anti lock brakes anti lock brake wiring diagrams for volkswagen golf gl

volkswagen golf 2000 system wiring diagrams tdiclub forums - Oct 25 2021

volkswagen golf 4 2000 manuals manualslib - Dec 07 2022

web jul 20 2018 volkswagen golf 1989 gl gti electrical wiring diagram jpg 118 8kb download volkswagen golf 1997 english electrical wiring diagrams pdf 824 9kb

2000 vw golf tdi wiring diagram - Oct 05 2022

web jan 24 2021 wiring diagram vw golf 2000 battery ignition starter switch a battery b starter d ignition starter switch j59 x contact relief relay j226 starter inhibitor and

2000 volkswagen golf owners manual in pdf - Feb 26 2022

web 2000 system wiring diagrams volkswagen golf air conditioning manual a c circuit anti lock brakes anti lock brake circuits anti theft anti theft circuit w

interior lights volkswagen golf gls 2000 system - Jan 28 2022

volkswagen golf 2000 system wiring diagrams vwts ru - Aug 15 2023

web 2000 system wiring diagrams volkswagen golf air conditioning manual a c circuit anti lock brakes anti lock brake circuits anti theft anti theft circuit w

volkswagen cars 2000 05 main wiring diagram - May 12 2023

web system wiring diagrams article text 2000 volkswagen golf this file passed thru volkswagen technical site volkswagen msk ru article beginning 2000

vw golf 2000 convenience system wiring diagrams pin - Mar 10 2023

web dec 4 2017 exploring the 2000 volkswagen golf tdi wiring diagram if you re looking for a reliable fuel efficient vehicle to get around town the 2000 vw golf tdi may be the

vw golf 2000 air conditioner wiring diagrams pin - Mar 30 2022

web 2000 system wiring diagrams volkswagen golf air conditioning manual a c circuit anti lock brakes anti lock brake circuits anti theft anti theft circuit w

volkswagen golf 4 electrical wiring diagrams pdf - Feb 09 2023

web a collection of manuals in english for the maintenance and repair of volkswagen golf since 2004 and volkswagen golf plus since 2005 wiring diagram error codes diagnostics

volkswagen golf 2000 system wiring diagrams pdf for free - Jul 14 2023

web get a comprehensive guide to the system wiring diagrams for the volkswagen golf 2000 model our guide includes detailed diagrams and information to help you troubleshoot

all wiring diagrams for volkswagen golf gls 2000 model - Aug 03 2022

web the complete 9 booklet user manual for the 2000 volkswagen golf in a downloadable pdf format includes maintenance schedule warranty info tips and advice and much more

volkswagen golf vii 2012 2020 workshop manual wiring - Nov 25 2021

volkswagen electrical wiring diagrams ewd - Jun 13 2023

web jan 24 2021 wiring diagram vw golf 2000 driver door control unit window regulator for driver door interior locking switch window regulator switch rear window regulator

volkswagen golf pdf workshop and repair manuals - Jul 02 2022

web may 1 2020 interior lights courtesy lamps wiring diagram with power windows courtesy lamps wiring diagram without power windows instrument illumination

all wiring diagrams for volkswagen golf gl 2000 - Jun 01 2022

web jan 24 2021 wiring diagram vw golf 2000 battery starter alternator voltage regulator x contact relief relay abattery bstarter calternator c1voltage regulator j59x

scheme electric vw golf 4 2000 pdf trunk car - Apr 11 2023

web volkswagen golf 4 2000 manuals manuals and user guides for volkswagen golf 4 2000 we have 1volkswagen golf 4 2000 manual available for free pdf download service

volkswagen golf 2000 system wiring diagrams mofler la red - Sep 23 2021

system wiring diagrams article text 2000 system wiring - Jan 08 2023

web jul 22 2020 air conditioning manual a c wiring diagram for volkswagen golf gls 2000anti lock brakes anti lock brake wiring diagrams for volkswagen golf gls

vw golf 2000 anti lock brake system wiring diagrams pin - Dec 27 2021

baux d habitation 2015 2016 logement privé logement social - Sep 17 2023

web bail d habitation p 35 p 29 fonctionnement du ité des partenaires du logement social l ordonnance n 2016 1408 du 20 octobre 2016 a créé un ité pour les baux d une c in medio stat virtus r e s u s d z l hebdo national de l Économie n du mardi 16 au lundi 22 janvier 2018 n n 120 n prix 30 da n Étranger 1 euro page 6 la présidence

baux d habitation 2015 2016 logement priva c loge pdf - Jul 15 2023

web baux d habitation 2015 2016 logement priva c loge 1 baux d habitation 2015 2016 logement priva c loge top actuel droit de l immobilier 2020 2021 mémento de la fiscalité locale et régionale 2018 droit civil les biens 9e éd spirituality in architectural education code de procédure civile 2022 annoté 113e ed contrats de droit suisse

baux d habitation 2015 2016 logement priva c loge download - Oct 06 2022

web baux d habitation 2015 2016 logement priva c loge 1 baux d habitation 2015 2016 logement priva c loge downloaded from ftp thedevonshirelondon co uk by guest brooklyn tate code civil oecd publishing the publication revenue statistics in

africa is jointly undertaken by the oecd centre for tax policy

baux d habitation 2015 2016 logement privé logement social - Jun 02 2022

web jun 5 2023 baux d habitation 2015 2016 logement privé logement social by hervé des lyons baux d habitation 2015 2016 logement privé logement social by hervé des lyons linieres et saint andre goule d oie snat compte rendu intgral vente aux encheres publiques doczz fr joseph tordoir chroniques chouette

baux d habitation 2015 2016 logement privé logement social - Mar 31 2022

web if you partner habit such a referred baux d habitation 2015 2016 logement privé logement social by hervé des lyons books that will find the money for you worth receive the unquestionably best seller from us as of now from various selected authors thanks for obtaining baux d habitation 2015 2016 logement privé logement social by hervé des

baux d habitation 2015 2016 logement priva c loge pdf - Aug 16 2023

web sep 20 2023 baux d habitation 2015 2016 logement priva c loge pdf when somebody should go to the books stores search launch by shop shelf by shelf it is in fact problematic this is why we present the ebook compilations in this website it will utterly ease you to see guide baux d habitation 2015 2016 logement priva c loge pdf as

baux d habitation 2015 2016 logement privé logement social - May 01 2022

web sep 15 2023 baux d habitation 2015 2016 logement priv bail d habitation bail emphytéotique barreau base légale bâtonner bâtonnier rhur impacthub net 8 37 bénéfice de division et de discussion bénéficiaire besoin biens les calamo guide logement 2016 73 april 20th 2020

baux d habitation 2015 2016 logement priva c loge download - Dec 08 2022

web traité des baux d habitation et professionnels code de procédure civile 2021 annoté 112e ed baux d habitation 2015 2016 logement priva c loge downloaded from assetj trustcode com br by guest

housing types in singapore a general guide 99 co - Jul 03 2022

web aug 8 2022 3 landed property landed properties are viewed by many singaporeans as the housing equivalent of reaching the top rungs of the society s social ladder while admittedly high maintenance landed properties are unrivalled in terms of their sheer size spacious living quarters and privacy

baux d habitation 2015 2016 logement privé logement social - Nov 26 2021

web sep 30 2023 april 22nd 2020 des locations de logement appartenant à un anisme d habitation à loyer modéré ne faisant pas l objet d une convention passée en application de l article l 351 2 précité modalités d application du contrat type le

baux d habitation 2015 2016 logement privé logement social - Dec 28 2021

web jun 6 2023 baux d habitation 2015 2016 logement privé logement social by hervé des lyons questions que se posent le propriétaire et le locataire sur le régime applicable aux contrats de location

baux d habitation 2015 2016 logement privé logement social - Jan 29 2022

web just mentioned the baux d habitation 2015 2016 logement privé logement social by hervé des lyons is internationally harmonious with any devices to download loi alur guide pargne et placements strasbourg la loupe azqs loi acheteur professionnel immobilier full text of catalogue gnral des ouvrages de proprit contrat de bail

every type of house in singapore private housing wat 5 - Sep 05 2022

web mar 18 2021 private housing non landed walk up apartments private apartments private condominium landed terraced houses semi detached cluster houses townhouses shophouses conservation houses bungalows detached house good class bungalows gcb bonus black white b w houses private housing non landed

do you know them all part i redbrick mortgage advisory - Nov 07 2022

web may 8 2018 such flats were introduced in 2015 and they are able to accommodate different buyers such as families singles and elderly in addition to one bedroom and bathroom each a 2 room flat is equipped with a kitchen and a

baux d habitation 2015 2016 logement privé logement social - Apr 12 2023

web sep 8 2023 may 2nd 2020 baux merciaux et professionnels si la carte a expiré avant le 31 décembre 2016 décret n 2015 702 du 19 juin 2015 fixant les conditions d application de la loi n 70 9 du 2 dictionnaire juridique may 3rd 2020 avis demande d avis de passage avocat avocat au conseil d etat et à la cour de cassation avocat général

do you know them all part ii redbrick mortgage advisory - Feb 10 2023

web may 18 2018 private housing generally private residential properties can be divided into two main categories non landed and landed property private housing can be freehold 99 year leasehold or 999 year leasehold

baux d habitation 2015 2016 logement priva c loge pdf - Mar 11 2023

web baux d habitation 2015 2016 logement priva c loge code de procédure civile 2019 annoté code civil 2016 le contrat de bail en droit luxembourgeois code de procédure civile 2022 annoté 113e ed vertical cities code civil code de procédure civile 2016 spirituality in architectural education droit civil les biens 9e éd code civil 2017

baux d habitation 2015 2016 logement priva c loge 2022 - May 13 2023

web baux d habitation 2015 2016 logement priva c loge 3 3 copies fiables décret du 5 déc 2016 des dispositions visant à favoriser l assainissement cadastral et la résorption du désordre de propriété par une loi du 6mars 2017 l agent des suretés prévu par l ordonnance du 4 mai 2017 d importantes modifications

baux d habitation 2015 2016 logement priva c loge pdf - Oct 18 2023

web des baux d habitation il en va particulièrement ainsi pour les congés pouvant être délivrés par le bailleur mais également pour les droits de préemption de la loi du 31 décembre 1975

baux d habitation 2015 2016 logement privé logement social - Feb 27 2022

web sep 11 2023 may 2nd 2020 baux merciaux et professionnels si la carte a expiré avant le 31 décembre 2016 décret n 2015 702 du 19 juin 2015 fixant les conditions d application de la loi n 70 9 du 2 subsites imoney my 3 12

types of housing in singapore public hybrid and private - Aug 04 2022

web feb 26 2021 residential properties in singapore public housing hdb public housing in singapore is managed by the state s housing and development board hdb hence their flats are commonly termed hdb flats over 80 of singapore s population live in an hdb flat

read free baux d habitation 2015 2016 logement priva c loge - Jun 14 2023

web baux d habitation 2015 2016 logement priva c loge thompson s modern land law apr 03 2020 thompson s modern land law is a core textbook providing students with a clear understanding of the principles of the subject it analyzes the social context of modern land law and the policy tensions to which it gives rise

[baux d habitation 2015 2016 logement priva c loge download](#) - Jan 09 2023

web mars 2015 relatif à la simplification de la procédure la communication électronique et la résolution amiable des différends du 27 février 2015 relatif au tribunal des conflits et aux questions préjudicielles

[tuition fees study imperial college london](#) - Aug 26 2022

web can i get a refund on my deposit can i pay my fees in full when i pay my deposit i paid my full fee after paying my deposit what do i do now i ve paid my deposit why does my imperial gateway still show that i need to make a deposit payment is there a discount for early payment of my tuition fees can i pay my tuition fee invoice in

tuition fees study imperial college london - Jul 25 2022

web tuition fees how to pay payment terms self funding students sponsored students visiting students payment in instalments tuition fee refunds postgraduate early payment discount postgraduate application deposits refunds staff tuition fee discount fee status student visa financial requirements equivalent or lower qualifications

terms and conditions london metropolitan university - Jul 05 2023

web 3 1 entitlement to tuition fee refunds is governed by the university s tuition fee payment policy in the event that any payment of fees is to be refunded either wholly or in part the university will endeavour to make the refund to the card account or bank account from which the refundable payment was made

undergraduate tuition fees london metropolitan university - May 03 2023

web full time home eu undergraduate tuition fee changes following the release of the higher education bill and the provisions of the teaching excellence framework tef the university like most other universities may revise the tuition fee for students commencing a new course from 1 september 2020

tuition fee refund fee waiver london metropolitan - Mar 21 2022

web sep 5 2023 tuition fee refund fee waiver london metropolitan author tspa unhcr tug do nlnetlabs nl 2023 09 05 19 56 35
subject tuition fee refund fee waiver london metropolitan keywords tuition fee refund fee waiver london metropolitan created
date 9 5 2023 7 56 35 pm

tuition fee refunds and compensation policy city of london - Feb 17 2022

web policy context this policy provides guidance on the tuition fee refunds of the tuition fee and their calculation and
compensation arrangements this policy is applicable to home and eeu students only policy statement

fees information student zone london metropolitan university - Jun 04 2023

web tuition fee waivers and refunds will automatically be processed once you have formally withdrawn or intermitted from
your studies according to the university s fee policy please click the following links for details of how to request to

tuition fee refunds study imperial college london - Oct 28 2022

web when you register at imperial you re obligated to pay your tuition fees if you drop out or suspend your studies you will
be eligible for a tuition fee refund though if your course has already started we ll adjust the refund to take this into account
see below for details

fee reductions and discounts london metropolitan university - Sep 07 2023

web find out how to apply for applicable fee reductions available to prospective london metropolitan university students by
selecting them from the lists below what is a fee reduction fee reductions are when the course fee cost has been lowered the
full price is usually detailed on the specific course page

[london metropolitan university courses and fees leapscholar](#) - Sep 26 2022

web the london metropolitan university charges a tuition fee of 10l to 18l per year for international students enrolled in
undergraduate and postgraduate programs the typical duration for undergraduate programs is three years while master s
degree programs typically last for one year

withdrawal and refund policy london metropolitan university - Oct 08 2023

web your liability for payment of tuition fees return or cancellation of direct loan funds to the department of education does
not cancel your liability to the university for any annual tuition fee balance that may be outstanding on your account at the
time of withdrawal non payment of tuition fees will result in one or more of the following

paying your tuition fees london metropolitan university - Mar 01 2023

web paying your tuition fees fee repayments explained students can pay their tuition fees by a number of methods students
who are paying their own tuition fees can do so by credit debit card if paying either in full or by instalments

commission payment london metropolitan university - Apr 02 2023

web in the event of a student leaving prematurely and being eligible for a refund of the whole or part of the tuition fees the

university reserves the right to reduce the commission payable pro rata please note that the university shall not pay commission for courses that are validated by the university but not taught at the university by

[tuition fee refunds and compensation policy city of london](#) - Dec 30 2022

web city of london college policy on tuition fee refunds of the tuition fee and compensation arrangements where students withdraw suspend or discontinue their course of studies scope

tuition fee refund fee waiver london metropolitan - May 23 2022

web tuition fee refund fee waiver london metropolitan author rhur impacthub net 2023 08 24 09 53 35 subject tuition fee refund fee waiver london metropolitan keywords tuition fee refund fee waiver london metropolitan created date 8 24 2023 9 53 35 am

[fillable online londonmet ac application fee waiveroffice of](#) - Jan 31 2023

web tuition fee refund and fee waiver application form general guidance this form should only be completed by students wishing to request a tuition fee refund or fee waiver in cases where unforeseen home for business enterprise organizations medical insurance real estate tax finance legal human resources see all developers pdf editor sdk

tuition fee refunds and compensation policy city of london - Apr 21 2022

web policy context this policy provides guidance on the tuition fee refunds of the tuition fee and their calculation and compensation arrangements this policy is applicable to home and eeu students only policy statement

deposit refunds city university of london - Jun 23 2022

web the refund policies of city university of london for deposits paid for tuition fees for study at the university

[london met online fees and refunds terms and conditions](#) - Aug 06 2023

web incurring fees fees are incurred on enrolment for the whole of each year of academic study or for each module taken a student is considered enrolled once a course offer is accepted and all course and associated fees have been paid fees are incurred immediately on enrolment there is no fee free period

refunds study imperial college london - Nov 28 2022

web overview if your applied for a postgraduate taught or research master s mres course and paid a deposit to secure your place this deposit is generally non refundable however there are certain circumstances under which you can apply for a refund of your deposit who can apply for an application deposit refund