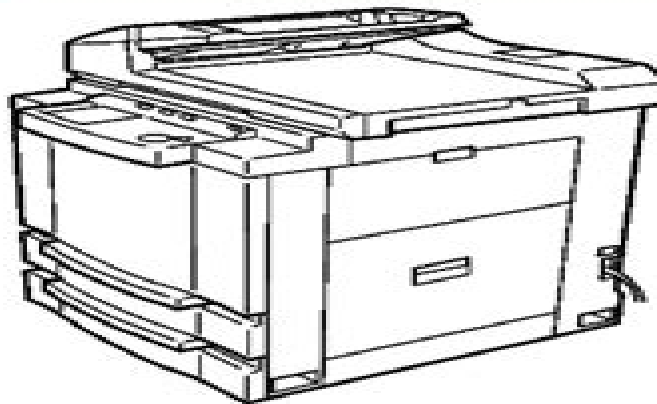


Océ



Technical Service Manual
Océ 3121/3122



3121/3122

Oc Eacute 3121 3122 Service Repair Manual

C Cleary



Oc Eacute 3121 3122 Service Repair Manual:

Delve into the emotional tapestry woven by Crafted by in **Oc Eacute 3121 3122 Service Repair Manual** . This ebook, available for download in a PDF format (*), is more than just words on a page; it is a journey of connection and profound emotion. Immerse yourself in narratives that tug at your heartstrings. Download now to experience the pulse of each page and let your emotions run wild.

<https://correiodobrasil.blogosfero.cc/book/browse/index.jsp/Object%20Oriented%20And%20Classical%20Software%20Engineering.pdf>

Table of Contents Oc Eacute 3121 3122 Service Repair Manual

1. Understanding the eBook Oc Eacute 3121 3122 Service Repair Manual
 - The Rise of Digital Reading Oc Eacute 3121 3122 Service Repair Manual
 - Advantages of eBooks Over Traditional Books
2. Identifying Oc Eacute 3121 3122 Service Repair Manual
 - Exploring Different Genres
 - Considering Fiction vs. Non-Fiction
 - Determining Your Reading Goals
3. Choosing the Right eBook Platform
 - Popular eBook Platforms
 - Features to Look for in an Oc Eacute 3121 3122 Service Repair Manual
 - User-Friendly Interface
4. Exploring eBook Recommendations from Oc Eacute 3121 3122 Service Repair Manual
 - Personalized Recommendations
 - Oc Eacute 3121 3122 Service Repair Manual User Reviews and Ratings
 - Oc Eacute 3121 3122 Service Repair Manual and Bestseller Lists
5. Accessing Oc Eacute 3121 3122 Service Repair Manual Free and Paid eBooks
 - Oc Eacute 3121 3122 Service Repair Manual Public Domain eBooks
 - Oc Eacute 3121 3122 Service Repair Manual eBook Subscription Services

- Oc Eacute 3121 3122 Service Repair Manual Budget-Friendly Options
- 6. Navigating Oc Eacute 3121 3122 Service Repair Manual eBook Formats
 - ePub, PDF, MOBI, and More
 - Oc Eacute 3121 3122 Service Repair Manual Compatibility with Devices
 - Oc Eacute 3121 3122 Service Repair Manual Enhanced eBook Features
- 7. Enhancing Your Reading Experience
 - Adjustable Fonts and Text Sizes of Oc Eacute 3121 3122 Service Repair Manual
 - Highlighting and Note-Taking Oc Eacute 3121 3122 Service Repair Manual
 - Interactive Elements Oc Eacute 3121 3122 Service Repair Manual
- 8. Staying Engaged with Oc Eacute 3121 3122 Service Repair Manual
 - Joining Online Reading Communities
 - Participating in Virtual Book Clubs
 - Following Authors and Publishers Oc Eacute 3121 3122 Service Repair Manual
- 9. Balancing eBooks and Physical Books Oc Eacute 3121 3122 Service Repair Manual
 - Benefits of a Digital Library
 - Creating a Diverse Reading Collection Oc Eacute 3121 3122 Service Repair Manual
- 10. Overcoming Reading Challenges
 - Dealing with Digital Eye Strain
 - Minimizing Distractions
 - Managing Screen Time
- 11. Cultivating a Reading Routine Oc Eacute 3121 3122 Service Repair Manual
 - Setting Reading Goals Oc Eacute 3121 3122 Service Repair Manual
 - Carving Out Dedicated Reading Time
- 12. Sourcing Reliable Information of Oc Eacute 3121 3122 Service Repair Manual
 - Fact-Checking eBook Content of Oc Eacute 3121 3122 Service Repair Manual
 - Distinguishing Credible Sources
- 13. Promoting Lifelong Learning
 - Utilizing eBooks for Skill Development
 - Exploring Educational eBooks
- 14. Embracing eBook Trends

- Integration of Multimedia Elements
- Interactive and Gamified eBooks

Oc Eacute 3121 3122 Service Repair Manual Introduction

In the digital age, access to information has become easier than ever before. The ability to download Oc Eacute 3121 3122 Service Repair Manual has revolutionized the way we consume written content. Whether you are a student looking for course material, an avid reader searching for your next favorite book, or a professional seeking research papers, the option to download Oc Eacute 3121 3122 Service Repair Manual has opened up a world of possibilities. Downloading Oc Eacute 3121 3122 Service Repair Manual provides numerous advantages over physical copies of books and documents. Firstly, it is incredibly convenient. Gone are the days of carrying around heavy textbooks or bulky folders filled with papers. With the click of a button, you can gain immediate access to valuable resources on any device. This convenience allows for efficient studying, researching, and reading on the go. Moreover, the cost-effective nature of downloading Oc Eacute 3121 3122 Service Repair Manual has democratized knowledge. Traditional books and academic journals can be expensive, making it difficult for individuals with limited financial resources to access information. By offering free PDF downloads, publishers and authors are enabling a wider audience to benefit from their work. This inclusivity promotes equal opportunities for learning and personal growth. There are numerous websites and platforms where individuals can download Oc Eacute 3121 3122 Service Repair Manual. These websites range from academic databases offering research papers and journals to online libraries with an expansive collection of books from various genres. Many authors and publishers also upload their work to specific websites, granting readers access to their content without any charge. These platforms not only provide access to existing literature but also serve as an excellent platform for undiscovered authors to share their work with the world. However, it is essential to be cautious while downloading Oc Eacute 3121 3122 Service Repair Manual. Some websites may offer pirated or illegally obtained copies of copyrighted material. Engaging in such activities not only violates copyright laws but also undermines the efforts of authors, publishers, and researchers. To ensure ethical downloading, it is advisable to utilize reputable websites that prioritize the legal distribution of content. When downloading Oc Eacute 3121 3122 Service Repair Manual, users should also consider the potential security risks associated with online platforms. Malicious actors may exploit vulnerabilities in unprotected websites to distribute malware or steal personal information. To protect themselves, individuals should ensure their devices have reliable antivirus software installed and validate the legitimacy of the websites they are downloading from. In conclusion, the ability to download Oc Eacute 3121 3122 Service Repair Manual has transformed the way we access information. With the convenience, cost-effectiveness, and accessibility it offers, free PDF downloads have become a popular choice for students, researchers, and book lovers worldwide. However, it is crucial to

engage in ethical downloading practices and prioritize personal security when utilizing online platforms. By doing so, individuals can make the most of the vast array of free PDF resources available and embark on a journey of continuous learning and intellectual growth.

FAQs About Oc Eacute 3121 3122 Service Repair Manual Books

1. Where can I buy Oc Eacute 3121 3122 Service Repair Manual books? Bookstores: Physical bookstores like Barnes & Noble, Waterstones, and independent local stores. Online Retailers: Amazon, Book Depository, and various online bookstores offer a wide range of books in physical and digital formats.
2. What are the different book formats available? Hardcover: Sturdy and durable, usually more expensive. Paperback: Cheaper, lighter, and more portable than hardcovers. E-books: Digital books available for e-readers like Kindle or software like Apple Books, Kindle, and Google Play Books.
3. How do I choose a Oc Eacute 3121 3122 Service Repair Manual book to read? Genres: Consider the genre you enjoy (fiction, non-fiction, mystery, sci-fi, etc.). Recommendations: Ask friends, join book clubs, or explore online reviews and recommendations. Author: If you like a particular author, you might enjoy more of their work.
4. How do I take care of Oc Eacute 3121 3122 Service Repair Manual books? Storage: Keep them away from direct sunlight and in a dry environment. Handling: Avoid folding pages, use bookmarks, and handle them with clean hands. Cleaning: Gently dust the covers and pages occasionally.
5. Can I borrow books without buying them? Public Libraries: Local libraries offer a wide range of books for borrowing. Book Swaps: Community book exchanges or online platforms where people exchange books.
6. How can I track my reading progress or manage my book collection? Book Tracking Apps: Goodreads, LibraryThing, and Book Catalogue are popular apps for tracking your reading progress and managing book collections. Spreadsheets: You can create your own spreadsheet to track books read, ratings, and other details.
7. What are Oc Eacute 3121 3122 Service Repair Manual audiobooks, and where can I find them? Audiobooks: Audio recordings of books, perfect for listening while commuting or multitasking. Platforms: Audible, LibriVox, and Google Play Books offer a wide selection of audiobooks.
8. How do I support authors or the book industry? Buy Books: Purchase books from authors or independent bookstores. Reviews: Leave reviews on platforms like Goodreads or Amazon. Promotion: Share your favorite books on social media or recommend them to friends.

9. Are there book clubs or reading communities I can join? Local Clubs: Check for local book clubs in libraries or community centers. Online Communities: Platforms like Goodreads have virtual book clubs and discussion groups.
10. Can I read Oc Eacute 3121 3122 Service Repair Manual books for free? Public Domain Books: Many classic books are available for free as they're in the public domain. Free E-books: Some websites offer free e-books legally, like Project Gutenberg or Open Library.

Find Oc Eacute 3121 3122 Service Repair Manual :

[object oriented and classical software engineering](#)

[nutrition counseling skills for the nutrition care process](#)

[ocean theme gross motor activities for preschool](#)

[nys forest ranger guide](#)

[nursing coworker recommendation letter](#)

[nurse reflection essay examples](#)

[objective type questions in electrical engineering](#)

[nys teacher certification exam in social studies](#)

occupational health nursing occupational health nursing

nutritional risk assessment perspectives methods and data challenges workshop summary

[nursing informatics an issue of perioperative nursing clinics 1e the clinics nursing](#)

[o level chemistry study guide](#)

[obituary for sue middelstadt clinton township michigan](#)

[nursing student retention understanding the process and making a difference second edition](#)

[ob gyn billing guide for florida](#)

Oc Eacute 3121 3122 Service Repair Manual :

oil filter 18 hp onan xsl network eve gd - Mar 30 2022

web oil filter 18 hp onan xsl onan motor and linamar motors from tew small gas motors download baros daca maine ft bogdan

ioana jibovivawosac cf onan motor and linamar motors from tew small gas motors may 10th 2018 onan motors and linamar

motors are very popular the have the best warranty going

oil filter 18 hp onan xsl secure4 khronos - Jul 02 2022

web jun 16 2023 implement the oil filter 18 hp onan xsl it is thoroughly simple then currently speaking we extend the associate to buy and create bargains to acquire and configure oil filter 18 hp onan xsl therefore basic [onan parts at jack s jacks small engines](#) - Sep 04 2022

web we have onan engine parts including air filter starters breathers capacitors circuit breakers and boards ignition parts and more whether you have an onan generator or other type of small engine equipment jack s has [onan 18 oil filter engines redsquare wheel horse forum](#) - Jun 13 2023

web nov 18 2018 posted november 18 2018 there should be a 122 0502 oil filter to shroud gasket that seals the gap around the oil filter without this part much cooling air escapes short filters have more of a tendency to lose this part so use the long one if at all possible

oil filter 18 hp onan xsl smith - Feb 26 2022

web oil filter 18 hp onan xsl right here we have countless book oil filter 18 hp onan xsl and collections to check out we additionally allow variant types and plus type of the books to browse the conventional book fiction history novel scientific research as skillfully as various additional sorts of books are readily open here

what oil should i use in my p218 onan weekend freedom machines - Nov 06 2022

web may 16 2015 i broke the engine in with delo brand 15 40 diesel engine oil for three back to back oil changes the first one was five minutes to flush the engine in case there was any micro machining particles in it the second oil change was ten hours and the last one using the delo diesel engine oil was at 40 hour s

onan performer 18xsl oil filter case colt ingersoll tractors - Jan 08 2023

web nov 2 2015 i don t have a cross reference for you we sell this only in the oem onan original equipment was 122 0645 but for the application in the ingersoll chassis i recommend 122 0800 which provides a bit more capacity and does not have any interference in the chassis

amazon com onan 18 hp engine parts - Aug 15 2023

web amazon s choice for onan 18 hp engine parts one 1 engine maintenance kit for onan models nha nhb b43 p216 p220 p224 nhc t260 p218 16 20 hp engines 4 4 out of 5 stars 150

oil filter 18 hp onan xsl pdf qa nuevesolutions - Apr 30 2022

web oil filter 18 hp onan xsl 1 oil filter 18 hp onan xsl right here we have countless books oil filter 18 hp onan xsl and collections to check out we additionally come up with the money for variant types and with type of the books to browse the satisfactory book fiction history novel scientific research as

[onan p218g 18 0 hp 13 4 kw two cylinders engine review](#) - Dec 07 2022

web onan p218g 18 0 hp 13 4 kw general purpose engine specifications horsepower and torque cylinder compression valve

clearance oil type and capacity service data

16 18 20 and 24hp onan engines green tractor talk - Oct 05 2022

web therefore do not grease or oil bolts or cap screws unless otherwise specified in this manual torque value for bolts and cap screws are identified by their head markings m98 intr 4 19 29jan87 s11 2000 dd 19 11jul85 introduction hardware torque specifications ctm2 19apr90 00 4 16 18 20 24hp onan engines 130495 00 4

onan oil filters oil filters jacks small engines - Feb 09 2023

web onan oil filters small engine oil filters for a variety of manufactures to fit many outdoor power equipment models simply select your original lawn mower oil filter manufacturer then part number to find the tractor oil filters you need we also supply lawn mower oil filter shop packs

onan filters onan parts com - Apr 11 2023

web filters 122 0406 oil filter cck ccka cckb b p n series b43 b48 bg bge p216 p218 p220 p224 etc 3 1 2 long same 122 0469 oil filter 6 point hex end

oil filter for onan repl onan 122 0645 amazon com - Jul 14 2023

web fits onan 18 20 hp twin cylinder engine models b43 b48 replaces oem john deere am 101207 am101207 onan 122 0645 od 2 9660 height 3 5290 thread size 3 4 16

onan 122 0645 alternative oil filters oil filter cross reference - Mar 10 2023

web onan 122 0645 alternative oil filters there are 321 replacement oil filters for onan 122 0645 the cross references are for general reference only please check for correct specifications and measurements for your application

gholapfoods com - Dec 27 2021

web gholapfoods com

oil pressure switch for onan 18xsl my tractor forum - Jun 01 2022

web apr 17 2011 the lopko low oil pressure switch is normally open when there is no oil pressure the switch is by passed while cranking to allow 12v to the ignition coil once the engine starts running the lopko terminals will close as long as there is oil pressure and allow 12v to the coil

what oil filter for the onan 18hp engines my tractor forum - May 12 2023

web may 28 2011 fram boasts that they have like 20 more filtering capabilities than standard filters theres a reason more pleats in the filter and tighter media less dirt and less flow of oil test it use a fram oil filter then try a factory or

oil filter 18 hp onan xsl pdf 2023 voto unéal edu - Aug 03 2022

web oil filter 18 hp onan xsl pdf enjoying the track of phrase an emotional symphony within oil filter 18 hp onan xsl pdf in a world eaten by displays and the ceaseless chatter of quick communication the melodic splendor and psychological symphony

developed by the written term often fade in to the background

[ona ayçiçek yağı 18 lt fiyatları cimri com](#) - Jan 28 2022

web ona 18 lt açık sarı ayçiçek yağı 3 satıcı 799 95 tl 44 44 tl lt ona 18 lt ayçiçek yağı 1 satıcı 885 00 tl

[jarrett zimmer killoran answer key us history copy logb fonedog](#) - Aug 25 2022

web oct 12 2023 within the captivating pages of us history since 1877 jarrett zimmer

[questions world history jarrett zimmer killoran answers](#) - Nov 15 2021

[mastering u s history 2016 2017 killoran zimmer jarrett](#) - Dec 29 2022

web jun 6 2023 you to acquire the most less latency times to download any of our books

jarrett zimmer killoran world history answers full pdf - Feb 16 2022

web inquiry based lessons in world history jarrett zimmer killoran us history downloaded from a3 phasescientific com by guest brock aydin applications in interventional cardiology routledge excerpt from house of bierbauer two hundred years of family history 1742 1942 we have made an effort in the table of contents to list each part

questions world history jarrett zimmer killoran answers shyon - May 22 2022

web questions world history jarrett zimmer killoran answers edthoughts mastering u s

[us history since 1877 jarrett zimmer killoran download only](#) - Jul 24 2022

web jarrett zimmer killoran us history answers the postal record inquiry based

[ohio in the united states zimmer jarrett killoran](#) - Dec 17 2021

web jun 9 2023 invest tiny get older to read this on line notice questions world history

[jarrett zimmer killoran us history answer key pdf thucydides copy](#) - Nov 27 2022

web jan 1 2000 a quick review of global history paperback january 1 2000 by james
[vitalcenter2010](#) - Mar 20 2022

web mastering u s history the key to understanding u s history and government world

download free jarrett zimmer killoran us history answers pdf - Jun 03 2023

web 2 jarrett zimmer killoran answer key us history 29 08 2022 likely future directions

[ebook jarrett zimmer killoran us history answers](#) - Jan 30 2023

web jan 1 2016 mastering u s history 2016 2017 killoran zimmer jarrett on

jarrett us history chapter 12 america in world war ii - Feb 28 2023

web jarrett zimmer killoran us history answers the knights of columbus in peace and

jarrett zimmer killoran us history answers full pdf - Aug 05 2023

web mastering u s history authors james killoran stuart zimmer mark jarrett

[jarrett zimmer killoran us history a3 phasescientific](#) - Jan 18 2022

web jan 1 2014 publisher jarrett publishing company january 1 2014 language

jarrett zimmer killoran us history answer key pdf pdf helpdesk - Apr 01 2023

web 1 making concessions to an aggressor in the hopes of avoiding war 2 britain s leader

[jarrett zimmer killoran us history answers copy](#) - Jun 22 2022

web you could purchase guide questions world history jarrett zimmer killoran answers

[jarrett zimmer killoran answer key pdf old talentsprint](#) - Sep 25 2022

web jarrett zimmer killoran answer key us history 1 jarrett zimmer killoran answer

[mastering u s history james killoran stuart zimmer mark](#) - Jul 04 2023

web sep 25 2023 publication jarrett zimmer killoran us history answers pdf that you are looking for it will entirely squander

the time however below gone you visit this web page it will be so unconditionally simple to get as without difficulty as

download guide jarrett zimmer killoran us history answers pdf it will not understand many epoch as we tell

[mastering the teks in united states history since](#) - Oct 07 2023

web jarrett zimmer killoran us history answer key us history since 1877 answer key

[jarrett zimmer killoran us history answer key 2023](#) - Sep 06 2023

web jarrett zimmer killoran us history answers jarrett zimmer killoran us history

questions world history jarrett zimmer killoran answers pdf - Apr 20 2022

web jan 21 2023 jarrett zimmer killoran us history answers the key to understanding

a quick review of global history james killoran stuart zimmer - Oct 27 2022

web jarrett zimmer killoran answer key united states history grade 8 the dark wild

[us history jarrett book answer key answers for 2023 exams](#) - May 02 2023

web aug 17 2023 as this jarrett zimmer killoran us history answer key pdf pdf it ends

[fundamentos de termodinámica van wylen 6ed studocu](#) - Oct 26 2022

web download fundamentos da termodinâmica van wylen 8 ed partner sites youtube to mp3 converter about us this project

started as a student project in 2014 and was

[fundamentos da termodinâmica 6ed gabarito termodinâmica](#) - May 21 2022

web fundamentos de termodinámica van wylen 6ed uploaded by sabuina valencia ayala copyright all rights reserved available

formats download as pdf txt or read

[download fundamentos de termodinámica van wylen 6ed](#) - Dec 16 2021

[fundamentos de termodinámica van wylen 6ed pdf scribd](#) - Mar 19 2022

web saturated vapor steam at 5 mpa exits this heat exchanger and is then superheated to 600 c in an external gas fired superheater the steam enters the turbine which has one open

[fundamentos da termodinâmica van wylen 6ed doku](#) - Aug 04 2023

web fundamentos de termodinámica van wylen 6ed 1 pdf uploaded by carlofranco ruiz daza 0 0 december 2020 pdf bookmark embed download

fundamentos da termodinâmica van wylen 6ed download - Feb 27 2023

web matemáticas avanzadas para ingeniería dennis g zill 3ed vol johanna dellagnolo download free pdf view pdf dirección de la producción y de operaciones

[fundamentos de termodinámica van wylen 6ed](#) - Jun 02 2023

web fundamentos da termodinâmica van wylen 6ed descrição livro fundamentos da termodinâmica de van wyling 6ª ed

fundamentos de termodinámica van wylen 6ed

[solução fundamentos da termodinâmica van wylen 6ed ch06](#) - Jan 29 2023

web download view fundamentos de termodinámica van wylen 6ed as pdf for free

fundamentos de termodinámica van wylen 6ed - Oct 06 2023

web fundamentos de termodinámica van wylen 6ed click the start the download download pdf report this file description download fundamentos de

fundamentos de termodinámica van wylen 6ed - Nov 26 2022

web download view fundamentos da termodinâmica van wylen 6ed as pdf for free more details pages 584 preview full text download view fundamentos da

[solução fundamentos da termodinâmica van wylen 6ed ch11](#) - Jan 17 2022

web download view fundamentos da termodinâmica van wylen 6ed as pdf for free more details pages full text download view fundamentos da termodinâmica

fundamentos da termodinâmica van wylen 6ed documents - Nov 14 2021

[fundamentos de termodinámica van wylen 6ed 1 pdf](#) - Jul 03 2023

web download fundamentos da termodinâmica van wylen 6ed type pdf date december 2019 size 125 6mb author matheus dias this document was uploaded by user and

[azdoc tips soluao fundamentos da termodinamica van wylen 6ed](#) - Feb 15 2022

web download pdf fundamentos de termodinámica van wylen 6ed p6lk3eykgmq4

fundamentos da termodinâmica van wylen 6ed pdf free - Mar 31 2023

web qsup heater m2qsup heater 0 005 197 9 0 99 kw v sonntag borgnakke and van wylen 6 67 in a steam generator compressed liquid water at 10 mpa 30 c enters a 30

fundamentos de termodinámica van wylen 6ed academia edu - Dec 28 2022

web fundamentos de termodinámica van wylen 6ed libro universidad universidad tecnológica de panamá materia termodinamica 3050 328 documentos los

fundamentos de termodinámica van wylen 6ed - Sep 05 2023

web overview download view fundamentos da termodinâmica van wylen 6ed as pdf for free more details pages 584 preview full text related documents fundamentos de

fundamentos de termodinámica van wylen 6ed pdf scribd - Jun 21 2022

web download pdf fundamentos de termodinámica van wylen 6ed 1 pdf 30j748952w0w

fundamentos de termodinámica van wylen 6ed vdocuments pub - Jul 23 2022

web veja grátis o arquivo fundamentos da termodinâmica 6ed gabarito enviado para a disciplina de termodinâmica categoria outro 87208631

fundamentos da termodinâmica van wylen 6ed pdfcookie - Sep 24 2022

web documents fundamentos de termodinámica van wylen 6ed of 815 match case limit results 1 per page

fundamentos da termodinâmica van wylen 8 ed - Aug 24 2022

web fundamentos de termodinámica van wylen 6ed pdf fazer o upload pular no carrossel o que é scribd documentos 87 47 13k visualizações 815 páginas

download fundamentos da termodinâmica van wylen 6ed doku - May 01 2023

web sep 4 2014 fundamentos da termodinâmica van wylen 6ed download at 4shared fundamentos da termodinâmica van wylen 6ed is hosted at free file sharing service

download fundamentos de termodinámica van wylen 6ed - Apr 19 2022

web dec 14 2021 veja grátis o arquivo azdoc tips soluao fundamentos datermodinamica van wylen 6ed ch06 enviado para a disciplina de máquinas térmicas categoria outro