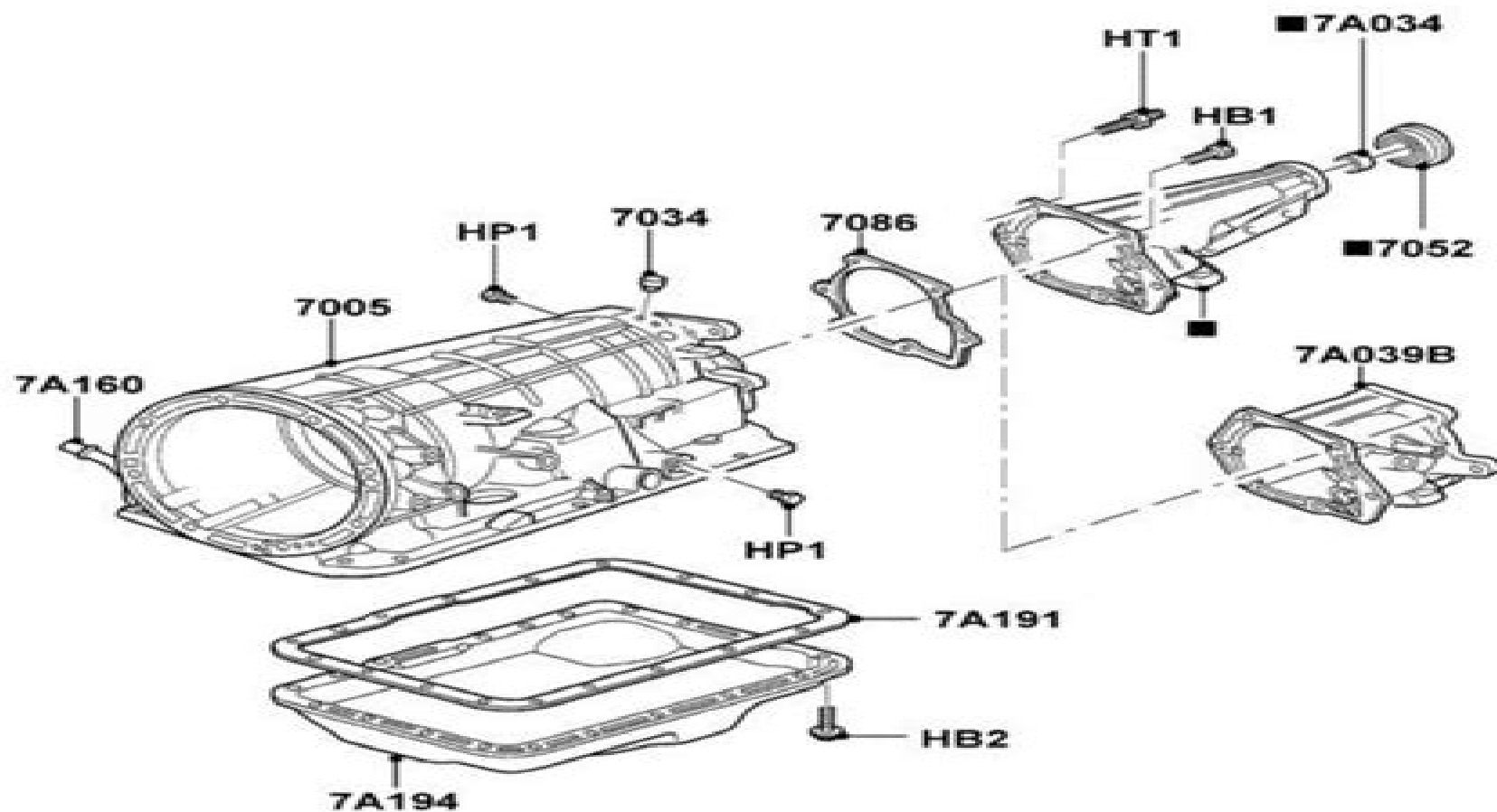


Ford 5R55E, 5R55N, A4LD transmission repair manual



Oem Ford 5r55e Repair Manual

O García



Oem Ford 5r55e Repair Manual:

1993-94-95-96-1997 Ford Ranger 5R55E Transmission Repair Manual , This is the PDF service repair manual for the Ford Ranger 1993 1997 Transmission Transference 4x4 system The same manual auto shops and dealers reference to This is not your everyday off the shelf auto store manual This manual is guaranteed to be better than any auto store manual Detailed drawings Detail diagrams Detail step by step instructions Covers more than standard manuals Available as PDF no more damage manuals Chapters include Diagrams Transmission Transference Electrical 4R44E 5R55E Transmissions Automatic Manual 4wd 4x4 Gem Generic Module [Ford Explorer and Mazda Navajo Automotive Repair Manual](#) Alan Ahlstrand, John Harold Haynes, 1995 Describes basic maintenance as well as repair procedures **Ford ... Engine & Chassis Repair Manual** Ford Motor Company, 19?? [1964 Ford Truck 100-350 Series Shop Manual](#) Ford Motor Company, 2020-05-10 This 1964 Ford Truck 100 350 Series Shop Manual is a high quality licensed PRINT reproduction of the service manual authored by Ford Motor Company and published by Detroit Iron This OEM factory manual is 8 5 x 11 inches paperback bound shrink wrapped and contains 548 pages of comprehensive mechanical instructions with detailed diagrams photos and specifications for the mechanical components of your vehicle such as the engine transmission suspension brakes fuel exhaust steering electrical and drive line Service repair manuals were originally written by the automotive manufacturer to be used by their dealership mechanics The following 1964 Ford models are covered F 100 F 250 F 350 P 100 P 350 This factory written Detroit Iron shop manual is perfect for the restorer or anyone working on one of these vehicles *(Ford) Master Repair Manual: Body* Ford Motor Company of Canada Ltd, 1956* [Ford Explorer](#) Jay Storer, John Harold Haynes, 2001 Total Car Care is the most complete step by step automotive repair manual you ll ever use All repair procedures are supported by detailed specifications exploded views and photographs From the simplest repair procedure to the most complex trust Chilton s Total Car Care to give you everything you need to do the job Save time and money by doing it yourself with the confidence only a Chilton Repair Manual can provide **Ford C-Max Petrol and Diesel (03-10) 53 to 10 M. R.** Storey, 2011-02-01 MPV inc special limited editions Does NOT cover CVT or Powershift transmissions Petrol 1 6 litre 1596cc 1 8 litre 1798cc 2 0 litre 1998cc Diesel 1 6 litre 1560cc 1 8 litre 1753cc 2 0 litre 1998cc **Ford Focus 2000-05 Repair Manual** Jay Storer, 2006-06-27 Covers all U S and Canadian models of Ford Focus *Ford Taurus & Mercury Sable Automotive Repair Manual* Ken Freund, John Harold Haynes, 2004 **Ford Taurus and Mercury Sable** Bob Henderson, J. H. Haynes, 1992 [Ford Mustang Automotive Repair Manual](#) Mike Stubblefield, 2007 [FORD RANGER HAYNES MANUALS.](#), 2018 [1961 Ford Car Shop Manual](#) Ford Motor Company, 2020-05-10 This 1961 Ford Car Shop Manual is a high quality licensed PRINT reproduction of the service manual authored by Ford Motor Company and published by Detroit Iron This OEM factory manual is 8 5 x 11 inches paperback bound shrink wrapped and contains 544 pages of comprehensive mechanical instructions with detailed diagrams photos and specifications for the mechanical components of your vehicle such

as the engine transmission suspension brakes fuel exhaust steering electrical and drive line Service repair manuals were originally written by the automotive manufacturer to be used by their dealership mechanics The following 1960 Ford models are covered Country Sedan Country Squire Fairlane Galaxie Ranch Wagon This factory written Detroit Iron shop manual is perfect for the restorer or anyone working on one of these vehicles **Ford Mustang Automotive Repair Manual** John Harold Haynes, Bruce Gilmour, Marcus Stewart Daniels, 1979 **Ford Ranger & Mazda B-series Pick-ups Automotive Repair Manual** Eric Jorgensen, Alan Ahlstrand, John Harold Haynes, 1998 *1968 Ford Truck Shop Manual (4 Volume Set)* Ford Motor Company, 2020-05-10 This 1968 Ford Truck Shop Manual 4 Volume Set is a high quality licensed PRINT reproduction of the service manual authored by Ford Motor Company and published by Detroit Iron This OEM factory manual is 8 5 x 11 inches paperback bound shrink wrapped and contains 1626 pages of comprehensive mechanical instructions with detailed diagrams photos and specifications for the mechanical components of your vehicle such as the engine transmission suspension brakes fuel exhaust steering electrical and drive line Service repair manuals were originally written by the automotive manufacturer to be used by their dealership mechanics The following 1968 Ford models are covered F 100 F 250 F 350 P 100 P 350 This factory written Detroit Iron shop manual is perfect for the restorer or anyone working on one of these vehicles Restorer's Model A Shop Manual Jim Schild James J. Schild, 1963 Ford Falcon, Ranchero / 1962 - 1963 Mercury Comet Shop Manual Supplement to 1960-62 Ford Falcon Manual, 1962 Comet Manual Ford Motor Company, 2020-05-10 This 1963 Ford Falcon Ranchero 1962 1963 Mercury Comet Shop Manual Supplement to 1960 62 Ford Falcon Manual 1962 Comet Manual is a high quality licensed PRINT reproduction of the service manual authored by Ford Motor Company and published by Detroit Iron This OEM factory manual is 8 5 x 11 inches paperback bound shrink wrapped and contains 134 pages of comprehensive mechanical instructions with detailed diagrams photos and specifications for the mechanical components of your vehicle such as the engine transmission suspension brakes fuel exhaust steering electrical and drive line Service repair manuals were originally written by the automotive manufacturer to be used by their dealership mechanics The following 1962 1963 Mercury Ford models are covered Comet Falcon Falcon Sedan Delivery Ranchero NOTE This is a SUPPLEMENT It covers only the servicing of NEW components that differ from what is described in the manual it supplements It is designed to be used with the parent manual referenced in the title You will need BOTH manuals for complete service information This factory written Detroit Iron shop manual is perfect for the restorer or anyone working on one of these vehicles **1969 Ford Truck Shop Manual (4 Volume Set)** Ford Motor Company, 2020-05-10 This 1969 Ford Truck Shop Manual 4 Volume Set is a high quality licensed PRINT reproduction of the service manual authored by Ford Motor Company and published by Detroit Iron This OEM factory manual is 8 5 x 11 inches paperback bound shrink wrapped and contains 1752 pages of comprehensive mechanical instructions with detailed diagrams photos and specifications for the mechanical components of your vehicle such as the engine transmission suspension brakes fuel exhaust

steering electrical and drive line Service repair manuals were originally written by the automotive manufacturer to be used by their dealership mechanics The following 1969 Ford models are covered F 100 F 250 F 350 P 100 P 350 This factory written Detroit Iron shop manual is perfect for the restorer or anyone working on one of these vehicles *Repair Manual* Ford Motor Company. Service Department, 1969

Whispering the Strategies of Language: An Psychological Journey through **Oem Ford 5r55e Repair Manual**

In a digitally-driven earth wherever monitors reign great and instant communication drowns out the subtleties of language, the profound strategies and psychological nuances hidden within phrases usually move unheard. Yet, situated within the pages of **Oem Ford 5r55e Repair Manual** a fascinating fictional value pulsating with raw thoughts, lies an extraordinary journey waiting to be undertaken. Published by a talented wordsmith, this enchanting opus invites visitors on an introspective journey, gently unraveling the veiled truths and profound influence resonating within the very material of each and every word. Within the psychological depths of this emotional evaluation, we can embark upon a genuine exploration of the book is key styles, dissect their fascinating writing style, and succumb to the powerful resonance it evokes strong within the recesses of readers hearts.

<https://correiodobrasil.blogosfero.cc/files/virtual-library/default.aspx/Numerical%20Solution%20Of%20Stochastic%20Differential%20Equations%20Stochastic%20Modelling%20And%20Applied%20Probability.pdf>

Table of Contents Oem Ford 5r55e Repair Manual

1. Understanding the eBook Oem Ford 5r55e Repair Manual
 - The Rise of Digital Reading Oem Ford 5r55e Repair Manual
 - Advantages of eBooks Over Traditional Books
2. Identifying Oem Ford 5r55e Repair Manual
 - Exploring Different Genres
 - Considering Fiction vs. Non-Fiction
 - Determining Your Reading Goals
3. Choosing the Right eBook Platform
 - Popular eBook Platforms
 - Features to Look for in an Oem Ford 5r55e Repair Manual
 - User-Friendly Interface
4. Exploring eBook Recommendations from Oem Ford 5r55e Repair Manual

- Personalized Recommendations
 - Oem Ford 5r55e Repair Manual User Reviews and Ratings
 - Oem Ford 5r55e Repair Manual and Bestseller Lists
5. Accessing Oem Ford 5r55e Repair Manual Free and Paid eBooks
 - Oem Ford 5r55e Repair Manual Public Domain eBooks
 - Oem Ford 5r55e Repair Manual eBook Subscription Services
 - Oem Ford 5r55e Repair Manual Budget-Friendly Options
 6. Navigating Oem Ford 5r55e Repair Manual eBook Formats
 - ePub, PDF, MOBI, and More
 - Oem Ford 5r55e Repair Manual Compatibility with Devices
 - Oem Ford 5r55e Repair Manual Enhanced eBook Features
 7. Enhancing Your Reading Experience
 - Adjustable Fonts and Text Sizes of Oem Ford 5r55e Repair Manual
 - Highlighting and Note-Taking Oem Ford 5r55e Repair Manual
 - Interactive Elements Oem Ford 5r55e Repair Manual
 8. Staying Engaged with Oem Ford 5r55e Repair Manual
 - Joining Online Reading Communities
 - Participating in Virtual Book Clubs
 - Following Authors and Publishers Oem Ford 5r55e Repair Manual
 9. Balancing eBooks and Physical Books Oem Ford 5r55e Repair Manual
 - Benefits of a Digital Library
 - Creating a Diverse Reading Collection Oem Ford 5r55e Repair Manual
 10. Overcoming Reading Challenges
 - Dealing with Digital Eye Strain
 - Minimizing Distractions
 - Managing Screen Time
 11. Cultivating a Reading Routine Oem Ford 5r55e Repair Manual
 - Setting Reading Goals Oem Ford 5r55e Repair Manual
 - Carving Out Dedicated Reading Time
 12. Sourcing Reliable Information of Oem Ford 5r55e Repair Manual

- Fact-Checking eBook Content of Oem Ford 5r55e Repair Manual
 - Distinguishing Credible Sources
13. Promoting Lifelong Learning
- Utilizing eBooks for Skill Development
 - Exploring Educational eBooks
14. Embracing eBook Trends
- Integration of Multimedia Elements
 - Interactive and Gamified eBooks

Oem Ford 5r55e Repair Manual Introduction

In today's digital age, the availability of Oem Ford 5r55e Repair Manual books and manuals for download has revolutionized the way we access information. Gone are the days of physically flipping through pages and carrying heavy textbooks or manuals. With just a few clicks, we can now access a wealth of knowledge from the comfort of our own homes or on the go. This article will explore the advantages of Oem Ford 5r55e Repair Manual books and manuals for download, along with some popular platforms that offer these resources. One of the significant advantages of Oem Ford 5r55e Repair Manual books and manuals for download is the cost-saving aspect. Traditional books and manuals can be costly, especially if you need to purchase several of them for educational or professional purposes. By accessing Oem Ford 5r55e Repair Manual versions, you eliminate the need to spend money on physical copies. This not only saves you money but also reduces the environmental impact associated with book production and transportation. Furthermore, Oem Ford 5r55e Repair Manual books and manuals for download are incredibly convenient. With just a computer or smartphone and an internet connection, you can access a vast library of resources on any subject imaginable. Whether you're a student looking for textbooks, a professional seeking industry-specific manuals, or someone interested in self-improvement, these digital resources provide an efficient and accessible means of acquiring knowledge. Moreover, PDF books and manuals offer a range of benefits compared to other digital formats. PDF files are designed to retain their formatting regardless of the device used to open them. This ensures that the content appears exactly as intended by the author, with no loss of formatting or missing graphics. Additionally, PDF files can be easily annotated, bookmarked, and searched for specific terms, making them highly practical for studying or referencing. When it comes to accessing Oem Ford 5r55e Repair Manual books and manuals, several platforms offer an extensive collection of resources. One such platform is Project Gutenberg, a nonprofit organization that provides over 60,000 free eBooks. These books are primarily in the public domain, meaning they can be freely distributed and downloaded. Project Gutenberg offers a wide range of classic literature, making it an excellent resource for literature enthusiasts. Another

popular platform for Oem Ford 5r55e Repair Manual books and manuals is Open Library. Open Library is an initiative of the Internet Archive, a non-profit organization dedicated to digitizing cultural artifacts and making them accessible to the public. Open Library hosts millions of books, including both public domain works and contemporary titles. It also allows users to borrow digital copies of certain books for a limited period, similar to a library lending system. Additionally, many universities and educational institutions have their own digital libraries that provide free access to PDF books and manuals. These libraries often offer academic texts, research papers, and technical manuals, making them invaluable resources for students and researchers. Some notable examples include MIT OpenCourseWare, which offers free access to course materials from the Massachusetts Institute of Technology, and the Digital Public Library of America, which provides a vast collection of digitized books and historical documents. In conclusion, Oem Ford 5r55e Repair Manual books and manuals for download have transformed the way we access information. They provide a cost-effective and convenient means of acquiring knowledge, offering the ability to access a vast library of resources at our fingertips. With platforms like Project Gutenberg, Open Library, and various digital libraries offered by educational institutions, we have access to an ever-expanding collection of books and manuals. Whether for educational, professional, or personal purposes, these digital resources serve as valuable tools for continuous learning and self-improvement. So why not take advantage of the vast world of Oem Ford 5r55e Repair Manual books and manuals for download and embark on your journey of knowledge?

FAQs About Oem Ford 5r55e Repair Manual Books

How do I know which eBook platform is the best for me? Finding the best eBook platform depends on your reading preferences and device compatibility. Research different platforms, read user reviews, and explore their features before making a choice. Are free eBooks of good quality? Yes, many reputable platforms offer high-quality free eBooks, including classics and public domain works. However, make sure to verify the source to ensure the eBook credibility. Can I read eBooks without an eReader? Absolutely! Most eBook platforms offer web-based readers or mobile apps that allow you to read eBooks on your computer, tablet, or smartphone. How do I avoid digital eye strain while reading eBooks? To prevent digital eye strain, take regular breaks, adjust the font size and background color, and ensure proper lighting while reading eBooks. What the advantage of interactive eBooks? Interactive eBooks incorporate multimedia elements, quizzes, and activities, enhancing the reader engagement and providing a more immersive learning experience. Oem Ford 5r55e Repair Manual is one of the best book in our library for free trial. We provide copy of Oem Ford 5r55e Repair Manual in digital format, so the resources that you find are reliable. There are also many Ebooks of related with Oem Ford 5r55e Repair Manual. Where to download Oem Ford 5r55e Repair Manual online for free? Are you looking for Oem Ford 5r55e Repair Manual PDF? This is

definitely going to save you time and cash in something you should think about.

Find Oem Ford 5r55e Repair Manual :

numerical solution of stochastic differential equations stochastic modelling and applied probability

[nt2670 midterm answers](#)

note taking study guide postwar issues

[nouvel antis mitisme avatars haine ancestrale](#)

[now yamaha ybr125 ybr 125 service repair workshop manual instant](#)

[nuckel-sven mit-grips-coolen-spr-chen](#)

now yamaha yz125 yz 125 2006 06 service repair workshop manual

[nsc business studies memo november 2012](#)

[now yamaha fj600 fj 600 1984 1985 service repair workshop manual](#)

nscas essentials of personal training

nstm chapter 631 manual

now you know canada s heroes now you know canada s heroes

now im reading level 1 playful pals nir leveled readers

nuclear computational science a century in review

[notifier sfp 1024 programming manual diagram](#)

Oem Ford 5r55e Repair Manual :

Ejercicios Resueltos de Termodinámica - Fisicalab Una bala de 35 g viaja horizontalmente a una velocidad de 190 m/s cuando choca contra una pared. Suponiendo que la bala es de plomo, con calor específico $c = \dots$ Termodinamica ejercicios resueltos - SlideShare Dec 22, 2013 — Termodinamica ejercicios resueltos - Descargar como PDF o ver en línea de forma gratuita.

Termodinámica básica Ejercicios - e-BUC 10.7 Ejercicios resueltos , es decir la ecuación energética de estado. © Los autores, 2006; © Edicions UPC, 2006. Page 31. 144. Termodinámica básica. Cuestiones y problemas resueltos de

Termodinámica técnica by S Ruiz Rosales · 2020 — Cuestiones y problemas resueltos de Termodinámica técnica. Sa. Do. Po. De de de sic. Té po ac co pro mo. Co pa tig y/ de est má vis la. Ric. Do. Po. De de te ... Ejercicios resueltos [Termodinámica] - Cubaeduca : Ejercicio 2. Un gas absorbe 1000 J de calor y se dilata en 1m 3.Si acumuló 600 J de energía interna: a) ¿qué trabajo realizó? b) si la dilatación fue a ... Problemas de termodinámica fundamental - Dialnet Este libro de problemas

titulado "PROBLEMAS DE TERMODINÁ MICA FUNDAMENTAL" tiene como objetivo servir de texto de problemas en las diversas asignaturas ... Primer Principio de la Termodinámica. Problemas resueltos Problemas resueltos. 1.- Una masa $m=1.5$ kg de agua experimenta la transformación ABCD representada en la figura. El calor latente de vaporización del agua es L_v ... Leyes de la Termodinámica - Ejercicios Resueltos - Fisimat Ejercicios Resueltos de la Primera Ley de la Termodinámica. Problema 1.- ¿Cuál es el incremento en la energía interna de un sistema si se le suministran 700 ... Pilkey W. D. Peterson's Stress Concentration Factors 3rd ed Stress concentration factor K_t is a dimensionless factor that is used to qualify how concentrated the stress is in material. It is defin... Download Free PDF Peterson's Stress Concentration Factors | Wiley Online Books Dec 26, 2007 — Peterson's Stress Concentration Factors establishes and maintains a system of data classification for all of the applications of stress and ... PETERSON'S STRESS CONCENTRATION FACTORS Peterson's Stress Concentration Factors, Third Edition. Walter D. Pilkey and Deborah ... JOHN WILEY & SONS, INC. Page 3. This text is printed on acid-free paper. Peterson's Stress Concentration Factors, 3rd Edition Peterson's Stress Concentration Factors, 3rd Edition. Author / Uploaded; Froncasci Otos. Views 932 Downloads 263 File size 32MB. Report DMCA / Copyright. Peterson's stress concentration factors - Z-Library Download Peterson's stress concentration factors book for free from Z-Library. Stress Concentration The elastic stress concentration factor K_t is the ratio of the maximum stress in the stress raiser to the nominal stress computed by the ordinary mechanics-of- ... Peterson's Stress Concentration Factors by Pilkey, Walter D. Filled with all of the latest developments in stress and strain analysis, this Fourth Edition presents stress concentration factors both graphically and with ... Stress Concentration Factors | PDF Chart 4.2 Stress concentration factors for the tension of a thin semi-infinite element with a circular hole near the edge (Mindlin 1948; Udoguti 1947; Isida ... Table A-15 Charts of Theoretical Stress-Concentration ... by A Figure · Cited by 4 — Source: R. E. Peterson, Stress-. Concentration Factors, Wiley,. New York, 1974, pp. 146, 235. The nominal bending stress is $\sigma_0 = M/Z_{net}$ where Z_{net} is a reduced. Peterson's Stress Concentration Factors, Third Edition Dec 13, 2023 — Peterson's Stress Concentration Factors establishes and maintains a system of data classification for all of the applications of stress and ... Transformation of the Heart: Stories by Devotees of Sathya ... This wonderful book is a collection of stories by people whose lives have been transformed by Sathya Sai Baba. Written with warmth and compassion, ... Transformation of the Heart: Stories By Devotees of Sri ... This wonderful book is a collection of stories by people whose lives have been transformed by Sathya Sai Baba. Written with warmth and compassion, ... Transformation of the Heart: Stories by Devotees of Sathya Sai ... This wonderful book is a collection of stories by people whose lives have been transformed by Sathya Sai Baba. Written with warmth and compassion, ... Stories by Devotees of Sathya Sai Baba: 9780877287162 - ... This wonderful book is a collection of stories by people whose lives have been transformed by Sathya Sai Baba. Written with warmth and compassion, ... Stories By Devotees of Sri Sathya Sai Baba, Judy (e Item Number. 185181693182 ; Book Title. Transformation of the Heart: Stories By Devotees of Sri Sathya Sa ;

Author. Judy (editor) Warner ; Accurate description. Stories by Devotees of Sathya Sai Baba Jul 1, 1990 — This wonderful book is a collection of stories by people whose lives have been transformed by Sathya Sai Baba. Stories By Devotees of Sri Sathya Sai Baba by Judy (Editor) ... Transformation of the Heart: Stories By Devotees of Sri Sathya Sai Baba. by Judy (Editor) Warner, Judy (Compiled, Edited By) Warner ... Transformation of the Heart: Stories By Devotees of Sri ... Home tuckerstomes Transformation of the Heart: Stories By Devotees of Sri Sathya Sai Baba ; Or just \$17.81 ; About This Item. Andhra Pradesh India: Sri Sathya Sai ... Transformation of the Heart - Books Transformation of the Heart ; ISBN · 978-81-7208-768-5 ; Publisher · Sri Sathya Sai Sadhana Trust, Publications Division ; Content · Quantity 1 Book ; Length · 8.000 " Transformation of the Heart - By Sai Charan Swami had symbolically H-Transformed a sinner into a saint! Another story is that of an American, who did not believe in Swami's Divinity. His wife though, ...