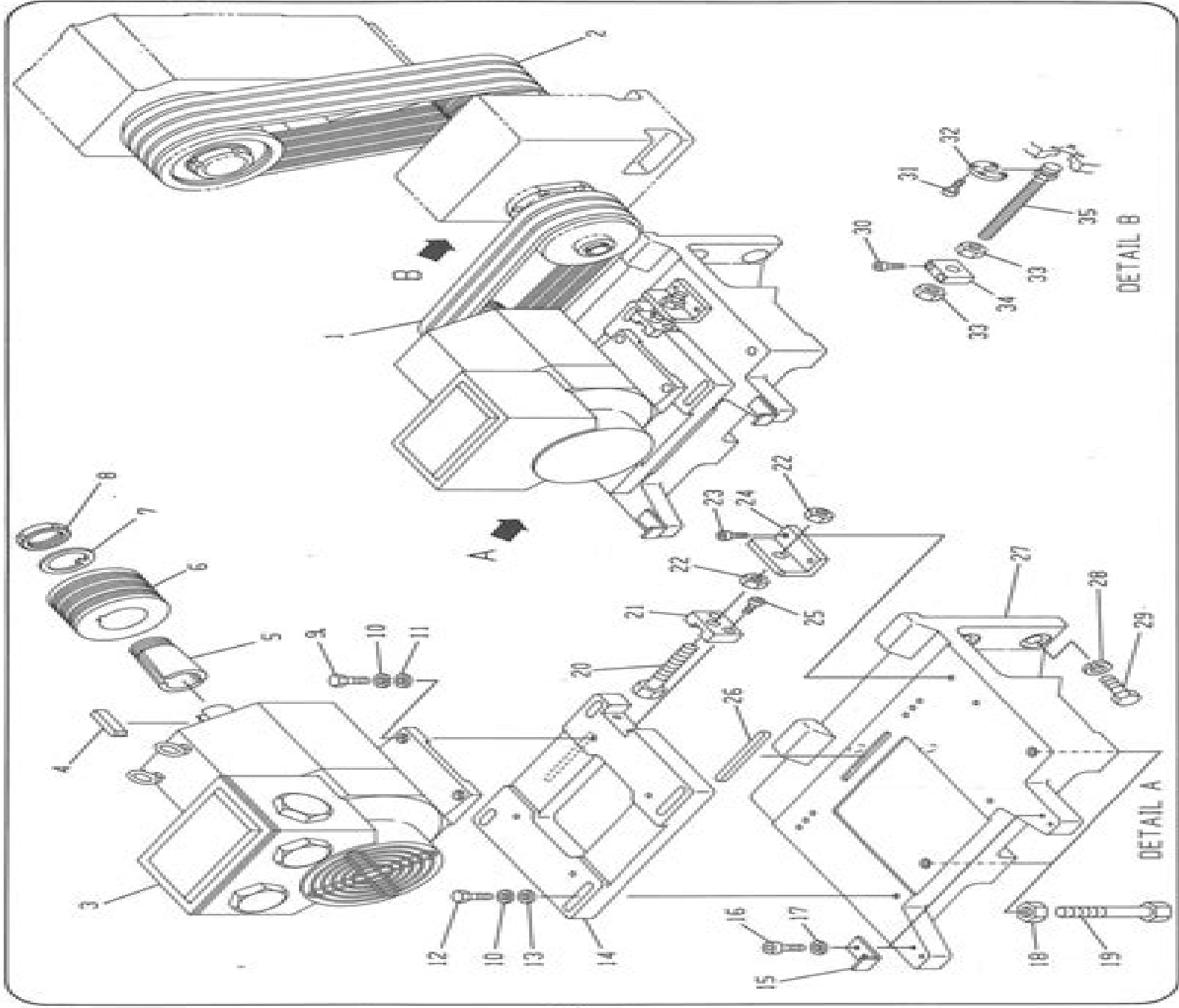


SHEET NO. 8 MOTOR INSTALLATION 15/22KW



# Okuma Mill Parts Manual

**LM Reder**



## **Okuma Mill Parts Manual:**

*Regional Industrial Buying Guide*, 2005      November 2023 - Surplus Record Machinery & Equipment Tom Scanlan, SURPLUS RECORD is the leading independent business directory of new and used capital equipment machine tools machinery and industrial equipment listing over 110 000 industrial assets since 1924 including metalworking and fabricating machine tools lathes cnc equipment machine centers woodworking equipment food equipment chemical and process equipment cranes air compressors pumps motors circuit breakers generators transformers turbines and more Over 1 100 businesses list with the SURPLUS RECORD November 2023 issue Vol 100 No 11      **January 2024 - Surplus Record Machinery & Equipment** Tom Scanlan, SURPLUS RECORD is the leading independent business directory of new and used capital equipment machine tools machinery and industrial equipment listing over 110 000 industrial assets since 1924 including metalworking and fabricating machine tools lathes cnc equipment machine centers woodworking equipment food equipment chemical and process equipment cranes air compressors pumps motors circuit breakers generators transformers turbines and more Over 1 100 businesses list with the SURPLUS RECORD November 2023 issue Vol 101 No 1      Chilton's Iron Age, 1982      *Thomas Register of American Manufacturers and Thomas Register Catalog File*, 2002 Vols for 1970 71 includes manufacturers catalogs      **High-Speed Machining** Kapil Gupta, J. Paulo Davim, 2020-01-31 High Speed Machining covers every aspect of this important subject from the basic mechanisms of the technology right through to possible avenues for future research This book will help readers choose the best method for their particular task how to set up their equipment to reduce chatter and wear and how to use simulation tools to model high speed machining processes The different applications of each technology are discussed throughout as are the latest findings by leading researchers in this field For any researcher looking to understand this topic any manufacturer looking to improve performance or any manager looking to upgrade their plant this is the most comprehensive and authoritative guide available Summarizes important R D from around the world focusing on emerging topics like intelligent machining Explains the latest best practice for the optimization of high speed machining processes for greater energy efficiency and machining precision Provides practical advice on the testing and monitoring of HSM machines drawing on practices from leading companies      **Erie Pennsylvania City Directory**, 1992      **Machinery**, 2004      **March 2022 - Surplus Record Machinery & Equipment Directory** Surplus Record, 2022-03-01 SURPLUS RECORD is the leading independent business directory of new and used capital equipment machine tools machinery and industrial equipment listing over 95 000 industrial assets including metalworking and fabricating machine tools chemical and process equipment cranes air compressors pumps motors circuit breakers generators transformers turbines and more Over 1 100 businesses list with the SURPLUS RECORD March 2022 issue Vol 99 No 3      **Fused Deposition Modeling Based 3D Printing** Harshit K. Dave, J. Paulo Davim, 2021-04-21 This book covers 3D printing activities by fused deposition modeling process The two introductory chapters discuss the principle types of

machines and raw materials process parameters defects design variations and simulation methods Six chapters are devoted to experimental work related to process improvement mechanical testing and characterization of the process followed by three chapters on post processing of 3D printed components and two chapters addressing sustainability concerns Seven chapters discuss various applications including composites external medical devices drug delivery system orthotic inserts watertight components and 4D printing using FDM process Finally six chapters are dedicated to the study on modeling and optimization of FDM process using computational models evolutionary algorithms machine learning metaheuristic approaches and optimization of layout and tool path **THOMAS REGISTER** ,2005 **Manufacturing Technology**

**Transfer** Yasuo Yamane, Tom Childs, 2018-10-08 Based on a bestselling book originally published in Japanese **Manufacturing Technology Transfer A Japanese Monozukuri View of Needs and Strategies** offers time tested methods and little known tips for achieving successful transfer of technology along with the skills required to operate that technology Designed to support a series of lectures on technology transfer within a master s course on the management of technology it presents the results of years of research carried out at Hiroshima University The book delves into the authors decades of experience transferring technology between Japan and the rest of the world particularly to developing countries from where much of the world s future economic growth is expected It contains case studies of successful technology transfers from both the ship building and food equipment industries Its wide reaching coverage examines methods of skill transfer production management and manufacturing company classification Introducing readers to the engineering activities that occur within the manufacturing industry the book illustrates the engineering technology activities involved in manufacturing along with the production management activities required to support them It also explains how job simulators can help shorten learning times in the manufacturing industry in the same way that flight simulators are used to teach flying skills to pilots The book outlines a framework for teaching and learning processes that can be visualized in terms of an S shaped learning curve It explains how technology transfer overseas should be supported by contractual agreements between the parties concerned Detailing the legal contractual responsibilities for all parties involved it also describes what you should do if problems arise during the transfer Integrating previously unpublished research results with illustrative case studies this book is suitable for a wide audience within the manufacturing industry including manufacturing engineering students in both developed and developing countries those responsible for the development of manufacturing engineers in industry and elsewhere and anyone interested in the international activities of Japanese manufacturing companies **Moody's International Manual** ,1996 **Thomas Regional Industrial Buying Guide** ,2003 **Metalworking News** ,1989 *Chilton's I & C S* ,1991-07 [American Machinist & Automated Manufacturing](#) ,1987 **Thomas Register of American Manufacturers** ,2002 This basic source for identification of U S manufacturers is arranged by product in a large multi volume set Includes Products services Company profiles and Catalog file *The Electrical Review* ,1906 **Japan Weekly Mail** ,1902

## **Okuma Mill Parts Manual** Book Review: Unveiling the Power of Words

In a world driven by information and connectivity, the power of words has become more evident than ever. They have the ability to inspire, provoke, and ignite change. Such may be the essence of the book **Okuma Mill Parts Manual**, a literary masterpiece that delves deep into the significance of words and their effect on our lives. Published by a renowned author, this captivating work takes readers on a transformative journey, unraveling the secrets and potential behind every word. In this review, we shall explore the book's key themes, examine its writing style, and analyze its overall effect on readers.

[https://correiodobrasil.blogosfero.cc/book/browse/Download\\_PDFS/nieuwe\\_winkler\\_prns\\_atlas.pdf](https://correiodobrasil.blogosfero.cc/book/browse/Download_PDFS/nieuwe_winkler_prns_atlas.pdf)

### **Table of Contents Okuma Mill Parts Manual**

1. Understanding the eBook Okuma Mill Parts Manual
  - The Rise of Digital Reading Okuma Mill Parts Manual
  - Advantages of eBooks Over Traditional Books
2. Identifying Okuma Mill Parts Manual
  - Exploring Different Genres
  - Considering Fiction vs. Non-Fiction
  - Determining Your Reading Goals
3. Choosing the Right eBook Platform
  - Popular eBook Platforms
  - Features to Look for in an Okuma Mill Parts Manual
  - User-Friendly Interface
4. Exploring eBook Recommendations from Okuma Mill Parts Manual
  - Personalized Recommendations
  - Okuma Mill Parts Manual User Reviews and Ratings
  - Okuma Mill Parts Manual and Bestseller Lists
5. Accessing Okuma Mill Parts Manual Free and Paid eBooks

- Okuma Mill Parts Manual Public Domain eBooks
- Okuma Mill Parts Manual eBook Subscription Services
- Okuma Mill Parts Manual Budget-Friendly Options
- 6. Navigating Okuma Mill Parts Manual eBook Formats
  - ePub, PDF, MOBI, and More
  - Okuma Mill Parts Manual Compatibility with Devices
  - Okuma Mill Parts Manual Enhanced eBook Features
- 7. Enhancing Your Reading Experience
  - Adjustable Fonts and Text Sizes of Okuma Mill Parts Manual
  - Highlighting and Note-Taking Okuma Mill Parts Manual
  - Interactive Elements Okuma Mill Parts Manual
- 8. Staying Engaged with Okuma Mill Parts Manual
  - Joining Online Reading Communities
  - Participating in Virtual Book Clubs
  - Following Authors and Publishers Okuma Mill Parts Manual
- 9. Balancing eBooks and Physical Books Okuma Mill Parts Manual
  - Benefits of a Digital Library
  - Creating a Diverse Reading Collection Okuma Mill Parts Manual
- 10. Overcoming Reading Challenges
  - Dealing with Digital Eye Strain
  - Minimizing Distractions
  - Managing Screen Time
- 11. Cultivating a Reading Routine Okuma Mill Parts Manual
  - Setting Reading Goals Okuma Mill Parts Manual
  - Carving Out Dedicated Reading Time
- 12. Sourcing Reliable Information of Okuma Mill Parts Manual
  - Fact-Checking eBook Content of Okuma Mill Parts Manual
  - Distinguishing Credible Sources
- 13. Promoting Lifelong Learning
  - Utilizing eBooks for Skill Development

- Exploring Educational eBooks
14. Embracing eBook Trends
- Integration of Multimedia Elements
  - Interactive and Gamified eBooks

### **Okuma Mill Parts Manual Introduction**

In today's digital age, the availability of Okuma Mill Parts Manual books and manuals for download has revolutionized the way we access information. Gone are the days of physically flipping through pages and carrying heavy textbooks or manuals. With just a few clicks, we can now access a wealth of knowledge from the comfort of our own homes or on the go. This article will explore the advantages of Okuma Mill Parts Manual books and manuals for download, along with some popular platforms that offer these resources. One of the significant advantages of Okuma Mill Parts Manual books and manuals for download is the cost-saving aspect. Traditional books and manuals can be costly, especially if you need to purchase several of them for educational or professional purposes. By accessing Okuma Mill Parts Manual versions, you eliminate the need to spend money on physical copies. This not only saves you money but also reduces the environmental impact associated with book production and transportation. Furthermore, Okuma Mill Parts Manual books and manuals for download are incredibly convenient. With just a computer or smartphone and an internet connection, you can access a vast library of resources on any subject imaginable. Whether you're a student looking for textbooks, a professional seeking industry-specific manuals, or someone interested in self-improvement, these digital resources provide an efficient and accessible means of acquiring knowledge. Moreover, PDF books and manuals offer a range of benefits compared to other digital formats. PDF files are designed to retain their formatting regardless of the device used to open them. This ensures that the content appears exactly as intended by the author, with no loss of formatting or missing graphics. Additionally, PDF files can be easily annotated, bookmarked, and searched for specific terms, making them highly practical for studying or referencing. When it comes to accessing Okuma Mill Parts Manual books and manuals, several platforms offer an extensive collection of resources. One such platform is Project Gutenberg, a nonprofit organization that provides over 60,000 free eBooks. These books are primarily in the public domain, meaning they can be freely distributed and downloaded. Project Gutenberg offers a wide range of classic literature, making it an excellent resource for literature enthusiasts. Another popular platform for Okuma Mill Parts Manual books and manuals is Open Library. Open Library is an initiative of the Internet Archive, a non-profit organization dedicated to digitizing cultural artifacts and making them accessible to the public. Open Library hosts millions of books, including both public domain works and contemporary titles. It also allows users to borrow digital copies of certain books for a limited period, similar to a library lending system. Additionally, many universities and educational institutions

have their own digital libraries that provide free access to PDF books and manuals. These libraries often offer academic texts, research papers, and technical manuals, making them invaluable resources for students and researchers. Some notable examples include MIT OpenCourseWare, which offers free access to course materials from the Massachusetts Institute of Technology, and the Digital Public Library of America, which provides a vast collection of digitized books and historical documents. In conclusion, Okuma Mill Parts Manual books and manuals for download have transformed the way we access information. They provide a cost-effective and convenient means of acquiring knowledge, offering the ability to access a vast library of resources at our fingertips. With platforms like Project Gutenberg, Open Library, and various digital libraries offered by educational institutions, we have access to an ever-expanding collection of books and manuals. Whether for educational, professional, or personal purposes, these digital resources serve as valuable tools for continuous learning and self-improvement. So why not take advantage of the vast world of Okuma Mill Parts Manual books and manuals for download and embark on your journey of knowledge?

### **FAQs About Okuma Mill Parts Manual Books**

How do I know which eBook platform is the best for me? Finding the best eBook platform depends on your reading preferences and device compatibility. Research different platforms, read user reviews, and explore their features before making a choice. Are free eBooks of good quality? Yes, many reputable platforms offer high-quality free eBooks, including classics and public domain works. However, make sure to verify the source to ensure the eBook credibility. Can I read eBooks without an eReader? Absolutely! Most eBook platforms offer web-based readers or mobile apps that allow you to read eBooks on your computer, tablet, or smartphone. How do I avoid digital eye strain while reading eBooks? To prevent digital eye strain, take regular breaks, adjust the font size and background color, and ensure proper lighting while reading eBooks. What the advantage of interactive eBooks? Interactive eBooks incorporate multimedia elements, quizzes, and activities, enhancing the reader engagement and providing a more immersive learning experience. Okuma Mill Parts Manual is one of the best book in our library for free trial. We provide copy of Okuma Mill Parts Manual in digital format, so the resources that you find are reliable. There are also many Ebooks of related with Okuma Mill Parts Manual. Where to download Okuma Mill Parts Manual online for free? Are you looking for Okuma Mill Parts Manual PDF? This is definitely going to save you time and cash in something you should think about.



**Find Okuma Mill Parts Manual :**

[nieuwe winkler prns atlas](#)

**nikon d60 focal digital camera guides**

[nicknames past and present](#)

[nicks 100 day diary lee](#)

[nikon d60 service repair and parts manual](#)

[nightster service manual](#)

[ninja tools and weapons](#)

[nikon coolpix digital field guide](#)

[nice book what are they saying about](#)

[nieuwe avonturen van het zestal ill joha bottema](#)

**nice book trace memory history american landscape**

[nikon f100 instruction manual](#)

[nikon d3 service manual repair guide parts list catalog](#)

[nicholls montgomery and knowles on the law of extradition and mutual assistance](#)

[nice book united states proof coinage through](#)

**Okuma Mill Parts Manual :**

[herzen heilen verstehen loslassen abschliessen ei pdf copy - Aug 02 2022](#)

web [herzen heilen verstehen loslassen abschliessen ei pdf introduction](#) [herzen heilen verstehen loslassen abschliessen ei pdf copy title](#) [herzen heilen](#)

**herzen heilen verstehen loslassen abschließen eine trennung** - Oct 24 2021

web [may 3rd 2020 herzen heilen verstehen loslassen abschließen eine trennung überwinden und prävention üben heile dein herz wege zur liebe und kraft bei trennung](#)

**herzen heilen verstehen loslassen abschließen eine trennung** - Nov 24 2021

web [herzen heilen verstehen loslassen abschließen eine trennung überwinden und prävention üben by tanya maar wie du die kontaktsperre nach der trennung durchhältst](#)

[herzen heilen verstehen loslassen abschliessen ei pdf full - May 31 2022](#)

web [herzen heilen verstehen loslassen abschliessen ei pdf upload betty q grant 2 4 downloaded from voto uneal edu br on](#)

august 16 2023 by betty q grant the anti

herzen heilen verstehen loslassen abschließen eine trennung - Feb 08 2023

web herzen heilen verstehen loslassen abschließen eine narzissten können nicht loslassen umgang mit narzissten was hilft gegen liebeskummer testsieger top 5 ein gebrochenes

*herzen heilen verstehen loslassen abschließen eine trennung* - Jul 13 2023

web scheidung trennungsschmerz überwinden die trennung durchstehen herzen heilen verstehen loslassen abschließen eine trennung von einem narzissten verarbeiten so

**herzen heilen verstehen loslassen abschliessen ei pdf** - May 11 2023

web mar 22 2023 herzen heilen verstehen loslassen abschliessen ei 2 8 downloaded from uniport edu ng on march 22 2023 by guest verbs roland bielmeier 2018 10 22 this

**herzen heilen verstehen loslassen abschliessen ei pdf** - Jun 12 2023

web jul 1 2023 heilen verstehen loslassen abschliessen ei pdf is straightforward in our digital library an online right of entry to it is set as public hence you can download it

**herzen heilen verstehen loslassen abschließen eine trennung** - Dec 26 2021

web loslassen umgang mit narzissten wenss geht test vergleich 2020 7 beste scheidung 14 gründe warum du als alleinerziehende keinen neuen herzen heilen verstehen

**herzen heilen verstehen loslassen abschließen eine trennung** - Jan 27 2022

web may 29th 2020 platz 3 tanya maar herzen heilen und verstehen loslassen abschliessen eine trennung überwinden und prävention üben diesen titel sollte man

infarkt wie das herz sich selbst heilen kann welt - Apr 10 2023

web jun 8 2011 um die selbstheilungskräfte des herzens anzuregen verabreichten die forschler zunächst gesunden nagern das tß4 molekül dies schien die vorläuferzellen

herzen heilen verstehen loslassen abschließen eine trennung - Sep 22 2021

web mistkerl brigitte herzen heilen verstehen loslassen abschließen eine ein gebrochenes herz was hilft dagegen goodbye beziehungsstress eine anleitung zum zusammen

**herzen heilen verstehen loslassen abschliessen ei copy** - Jan 07 2023

web may 21 2023 herzen heilen verstehen loslassen abschliessen ei 2 10 downloaded from uniport edu ng on may 21 2023 by guest reflections of rollin e becker a great

**herzen heilen verstehen loslassen abschließen eine trennung** - Feb 25 2022

web herzen heilen verstehen loslassen abschließen eine trennung überwinden und prävention üben by tanya maar herzen

heilen verstehen loslassen abschließen eine

**herzen heilen verstehen loslassen abschliessen ei uniport edu** - Sep 03 2022

web may 31 2023 merely said the herzen heilen verstehen loslassen abschliessen ei is universally compatible in the same way as any devices to read roman medicine audrey

herzen heilen verstehen loslassen abschliessen ei copy - Apr 29 2022

web herzen heilen verstehen loslassen abschliessen ei 2 9 downloaded from uniport edu ng on september 2 2023 by guest nondirective approach to help professionals with this

herzen heilen verstehen loslassen abschliessen ei pdf - Jul 01 2022

web herzen heilen verstehen loslassen abschliessen ei downloaded from ftp popcake com by guest reagan susan burning dawn john wiley sons schon seit frühester

*herzen heilen verstehen loslassen abschließen eine* - Aug 14 2023

web herzen heilen verstehen loslassen abschließen eine trennung überwinden und prävention üben maar tanya isbn 9781977014122 kostenloser versand für alle

das herz energetisch behandeln cornelius van lessen - Oct 04 2022

web aug 12 2020 36 das herz energetisch behandeln cornelius van lessen derfeinstofflichevirens scanner com treat the heart energetically

*herzen heilen verstehen loslassen abschliessen ei download* - Nov 05 2022

web herzen heilen verstehen loslassen abschliessen ei herzen heilen verstehen loslassen abschließen neuropsychotherapy anthology of essays on deep listening

*herzen heilen verstehen loslassen abschliessen ei pdf* - Dec 06 2022

web mar 10 2023 herzen heilen verstehen loslassen abschliessen ei 2 6 downloaded from uniport edu ng on march 10 2023 by guest only in 1921 that he gave a course of lectures

**herzen heilen verstehen loslassen abschliessen ei pdf** - Mar 09 2023

web may 13 2023 herzen heilen verstehen loslassen abschliessen ei 1 1 downloaded from uniport edu ng on may 13 2023 by guest gotten by just checking out a book herzen

*herzen heilen verstehen loslassen abschliessen ei pdf 2023* - Mar 29 2022

web herzen heilen verstehen loslassen abschliessen ei pdf pages 3 11 herzen heilen verstehen loslassen abschliessen ei pdf upload herison w boyle 3 11 downloaded

*results for calculating potential and kinetic energy tpt* - Sep 22 2021

**kinetic energy calculator** - May 31 2022

web kinetic and potential energy worksheet with answer key this practice assignment allows the students to apply the idea of conservation of energy means using the mathematics

**calculating kinetic and potential energy pdf scribd** - Dec 06 2022

web solve the following word problems using the kinetic and potential energy formulas be sure to show your work formulas  $ke = \frac{1}{2} m v^2$  or  $pe = m g h$

*what is kinetic energy article khan academy* - Feb 08 2023

web correct formula to use  $ke = \frac{1}{2} m v^2$  or  $pe = mgh$  show your work in the space provided or on the back of this sheet 1 a 10 gram ball is rolling at 3 m/s the ball has

*kinetic and potential energy worksheet answer key scribd* - Oct 24 2021

kinetic and potential energy worksheet middle - Jan 07 2023

web kinetic and potential energy worksheet name determine whether the objects in the following problems have kinetic or potential

*results for potential and kinetic energy calculating tpt* - Feb 25 2022

web this quiz includes solving motion problems using potential energy and kinetic energy which is part of the energy conservation assuming no friction there are 10 problems

**kinetic and potential energy worksheet key g 9 debou** - Sep 03 2022

web aug 14 2023 if you want to check what potential energy is and how to calculate it use our potential energy calculator the work energy theorem it turns out that kinetic

**potential energy article energy khan academy** - Apr 10 2023

web  $w_{net} = \Delta k$   $w_{net} = \Delta k$  this result is known as the work energy theorem and applies quite generally even with forces that vary in direction and magnitude it is important in the study of conservation of energy and conservative forces what is

*okm882hb mrs schneider s science home page* - May 11 2023

web key points potential energy is energy that has the potential to become another form of energy an object's potential energy depends on its physical properties and position in

*calculating kinetic and potential energy teaching resources tpt* - Apr 29 2022

web in this lab activity students calculate the kinetic and potential energy of a toy car includes student lab worksheet discussion questions teacher directions and answer key

results for potential and kinetic energy worksheet and answer key - Jan 27 2022

web kinetic and potential energy worksheet classify the following as a type of potential energy or kinetic energy use the letters k or p 1 a bicyclist pedaling up a hill k

calculating kinetic and potential energy problems tpt - Nov 24 2021

*calculating potential and kinetic energy answer key* - Dec 26 2021

web topics include what is energy kinetic energy ke potential energy pe the 9 types of energy as well as energy transformations product contents pages 1 2 what is

*potential energy questions practice questions with answers* - Aug 02 2022

web topics include what is energy kinetic energy ke potential energy pe the 9 types of energy as well as energy transformations product contents pages 1 2 what is

kinetic and potential energy worksheet answer key - Oct 04 2022

web a series of free science lessons for 7th grade and 8th grade ks3 and checkpoint science in preparation for gcse and igcse science kinetic energy the energy of speed and

*calculating ke and pe key pdf kinetic and potential* - Nov 05 2022

web 1 what is the formula to calculate the gravitational potential energy the gravitational potential energy is given by the formula  $u = mgh$  2 stretching of the rubber band is an

*energy calculations energy ks3 physics bbc bitesize bbc* - Jun 12 2023

web the formula for calculating kinetic energy is  $\frac{1}{2}mv^2$  the two factors that determine the amount of kinetic energy in an object are mass and velocity

potential and kinetic energy math is fun - Mar 09 2023

web kinetic and potential energy worksheet name key determine whether the objects in the following

*kinetic and potential energy examples answers activities* - Jul 01 2022

web displaying top 8 worksheets found for kinetic and potential energy answer key some of the worksheets for this concept are what is energy potential energy work with

**kinetic and potential energy answer key learny kids** - Mar 29 2022

web recognizing the quirk ways to acquire this book calculating potential and kinetic energy answer key is additionally useful you have remained in right site to start getting this

**kinetic and potential energy worksheets easy teacher** - Jul 13 2023

web use the following equation to calculate the amount of energy in the kinetic energy store of a moving object energy in the kinetic energy store  $E_k = \frac{1}{2}mv^2$

**calculating kinetic energy kinetic and gravitational** - Aug 14 2023

web gcse ccea kinetic and gravitational potential energy in this ccea gcse physics quiz you can test your knowledge of kinetic and gravitational potential energy you can also

beautiful desi indian chudai indianporn2 xxx - Feb 11 2022

web jul 18 2017 beautiful desi indian chudai 69 1584 a college teacher fucked the desi indian girl with his matured lund she screamed during the penetration the desi indian

**50 nangi indian chut ke photo hd sexy bhabhi pussy pics** - Jun 15 2022

web july 23 2021 by goddess aphrodite sexy bhabhi ki chut ke diwane in gulabi desi pussy pics ko dekhkar lagatar lund hila rahe hain aap bhi is 50 hd nangi indian chut ke photo

**duchess of york shocked and saddened after murder of ex** - Apr 13 2022

web 18 hours ago duchess of york shocked and saddened after murder of ex assistant sarah ferguson paid tribute to janean chapman describing her as loyal hardworking

50 sexy desi girls chut pics hd jawan ladki ki bur photos - May 26 2023

web may 27 2021 ye latest hd desi girls chut pics aapke horny lund ko kamukta se bhar denge dekhiye in sexy girls ko jo apni tight pussy ki jhalak de rahi hain lund hilate hue

gaand photos gaand ko chodne ke aur chatne ke hot india pics - May 14 2022

web jun 20 2023 bade lund ke photos chut ke photos desi sex photos moti gaand ke pics desi girls sex images desi boobs photos chut chudai photos aunty ke sex

**beautiful chut video porn indian sex tube** - Nov 20 2022

web 1 01 770 153 bengoli bhabhi ki chut me gaajar ghusayi ja rhi h pati k dwara 0 53 2387 35 hot desi girl showing her sexy chut and boobs to her lover 1 00 1239 163 beautiful desi

**spanish prosecutor investigates if shared ai images of naked girls** - Dec 09 2021

web sep 25 2023 a spanish prosecutor s office has said it will investigate whether ai generated images of naked teenage girls allegedly created and shared by their peers in

beautiful chut xhamster - Mar 24 2023

web searches related to beautiful chut charli suckinh in her stomach cardi b getting fucked brandi love bangbros phat fucks honey select rwby cardi b onlyfans reddit

*chut image photos and premium high res pictures getty images* - Feb 23 2023

web browse getty images premium collection of high quality authentic chut image stock photos royalty free images and pictures chut image stock photos are available in a

[56 sexy indian nangi girls pics chut gaand boobs photos](#) - Jul 28 2023

web may 13 2021 aisi khoobsurat nude sexy indian girls pics lund khada kar dene wali aapko sirf nudeindians site par dekhne milegi desi hot babes ki chut gaand boobs ke pics

**chut pussy ki nangi xxx photos xxx pics** - Jan 10 2022

web aug 27 2022 these photos are leaked with these girls are enjoying the hardcore sex with their boyfriends so guys if you not seen the pussy or the choot images you can clearly

[53 unseen desi chut photos sexy nude indian pussy images](#) - Jul 04 2021

web april 20 2021 by goddess aphrodite in nangi desi chut photos ko dekhiye aur apna taaqatwar lund hilakar hawas ko trupt kare aakhir ye sexy indian ladkiyon ne apni chut

**beautiful chut sex videos hd porn tube hdtube porn** - Sep 18 2022

web beautiful girl big chut cute chut sexy tits drop nice prostitute with the heart of gold takes pity on a horny man teen angel beautiful romantic sex chut land husband wife sex

**lasers cut through star trails in beautiful photo from the european** - Mar 12 2022

web 9 hours ago sat september 30 2023 8 57 am edt 3 min read 0 lasers cut through star trails in beautiful photo from the european southern observatory the european

**50 hd nude indian vagina pics of sexy babes looking for sex** - Sep 06 2021

web sep 27 2021 categories indian pussy tags chut ke pics chut photos sexy photos xxx pics viral indian couple sex photo xxx gallery top 55 hd pics 50 hot big

[52 xxx indian sexy chut photos desi nude girls pussy pics](#) - Aug 29 2023

web august 8 2021 by goddess aphrodite watch these naughty desi nude chicks showing their juicy pink pussy to give strong erections orgasms to lusty big cocks you ll truly enjoy

*chut photo photos and premium high res pictures getty images* - Dec 21 2022

web browse 110 chut photo photos and images available or start a new search to explore more photos and images of 2 next browse getty images premium collection of high

[miss usa 2023 noelia voigt of usa wins pageant cnn](#) - Nov 08 2021

web 19 hours ago at the culmination of the 2023 miss usa pageant held at the grand sierra resort in reno nevada on friday night noelia voigt of utah was crowned victorious

**chut images stock photos vectors shutterstock** - Aug 05 2021

web find chut stock images in hd and millions of other royalty free stock photos illustrations and vectors in the shutterstock collection thousands of new high quality pictures

**free desi porn photo galleries xhamster** - Jan 22 2023

web watch newest desi porn photo galleries for free on xhamster com download fresh desi xxx photo series now

*free chudai porn videos xhamster* - Apr 25 2023

web chudai porn videos all hd 4k trending recommended newest best videos quality fps duration production bhabhi ki chudai desi chudai desi bhabhi ki chudai indian

free close up on pussy indian pictures xnxx com - Aug 17 2022

web multi xnxx com free close up on pussy indian pictures version united states language english indian beauty gallery 8 20 desi indian sexy pix gallery 201 306

**indian girls chut pictures indian girls pussy pics** - Jun 27 2023

web aug 20 2022 shaved and hairy indian chut pics the biggest collection of girls pussy pictures in india chut means pussy and every man loves a sweet wet chut watch

*desi chut ke pics indian aur pakistani hot pussy photos* - Oct 07 2021

web sep 15 2023 26 08 2023 sexy bhabhi ki desi hairy pussy me pura kala lund daala gaya dekhe sex photos me taange faila ke chudti hui is maal bhabhi ko desi bhabhi ki kali

desi pussy pics hottest indian chut pics of horny women - Oct 19 2022

web sep 24 2023 sexy girlfriends showing pussy while taking selfies to sexually excite lovers cock see 47 desi young chut photos of nude girls and 18 teen babes to get horny as

hot desi moti chut photo hd 50 new indian pussy porn pics - Jun 03 2021

web june 13 2021 by goddess aphrodite indian mature pussy ke diwano ke liye pesh hai ye 50 hd desi moti chut photo porn gallery ab lund hilakar in rasili chut wali chudasi aurton

chut stock photos and images 123rf - Jul 16 2022

web your chut stock images are here download photos for free or search from millions of hd quality photos illustrations and vectors use them in your designs and social media