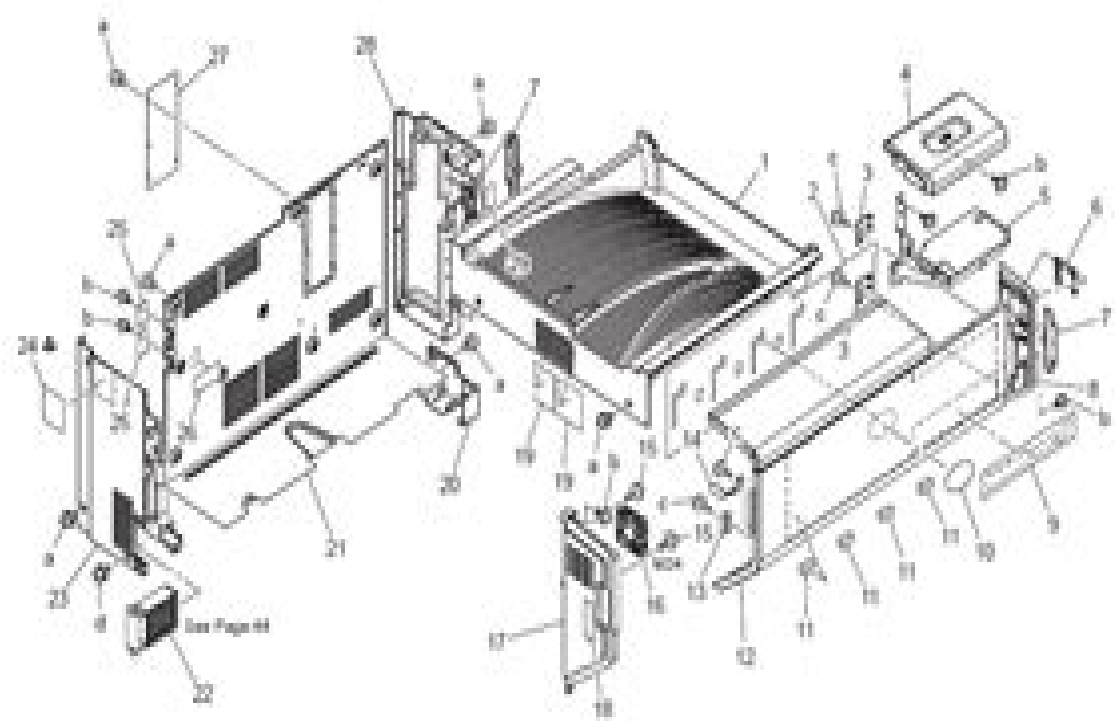




Page Thumbnails X

### EXTERNAL PARTS

P.1



EXPLD C450

# Parts Guide Konica Minolta C450

**Chilton Book Company**



## **Parts Guide Konica Minolta C450:**

If you ally compulsion such a referred **Parts Guide Konica Minolta C450** ebook that will have the funds for you worth, get the definitely best seller from us currently from several preferred authors. If you want to comical books, lots of novels, tale, jokes, and more fictions collections are as a consequence launched, from best seller to one of the most current released.

You may not be perplexed to enjoy all book collections Parts Guide Konica Minolta C450 that we will totally offer. It is not concerning the costs. Its roughly what you compulsion currently. This Parts Guide Konica Minolta C450, as one of the most keen sellers here will definitely be accompanied by the best options to review.

[https://correiodobrasil.blogosfero.cc/book/publication/fetch.php/Nccer\\_Practice\\_Test\\_Pipefitter.pdf](https://correiodobrasil.blogosfero.cc/book/publication/fetch.php/Nccer_Practice_Test_Pipefitter.pdf)

## **Table of Contents Parts Guide Konica Minolta C450**

1. Understanding the eBook Parts Guide Konica Minolta C450
  - The Rise of Digital Reading Parts Guide Konica Minolta C450
  - Advantages of eBooks Over Traditional Books
2. Identifying Parts Guide Konica Minolta C450
  - Exploring Different Genres
  - Considering Fiction vs. Non-Fiction
  - Determining Your Reading Goals
3. Choosing the Right eBook Platform
  - Popular eBook Platforms
  - Features to Look for in an Parts Guide Konica Minolta C450
  - User-Friendly Interface
4. Exploring eBook Recommendations from Parts Guide Konica Minolta C450
  - Personalized Recommendations
  - Parts Guide Konica Minolta C450 User Reviews and Ratings
  - Parts Guide Konica Minolta C450 and Bestseller Lists
5. Accessing Parts Guide Konica Minolta C450 Free and Paid eBooks

- Parts Guide Konica Minolta C450 Public Domain eBooks
  - Parts Guide Konica Minolta C450 eBook Subscription Services
  - Parts Guide Konica Minolta C450 Budget-Friendly Options
6. Navigating Parts Guide Konica Minolta C450 eBook Formats
    - ePub, PDF, MOBI, and More
    - Parts Guide Konica Minolta C450 Compatibility with Devices
    - Parts Guide Konica Minolta C450 Enhanced eBook Features
  7. Enhancing Your Reading Experience
    - Adjustable Fonts and Text Sizes of Parts Guide Konica Minolta C450
    - Highlighting and Note-Taking Parts Guide Konica Minolta C450
    - Interactive Elements Parts Guide Konica Minolta C450
  8. Staying Engaged with Parts Guide Konica Minolta C450
    - Joining Online Reading Communities
    - Participating in Virtual Book Clubs
    - Following Authors and Publishers Parts Guide Konica Minolta C450
  9. Balancing eBooks and Physical Books Parts Guide Konica Minolta C450
    - Benefits of a Digital Library
    - Creating a Diverse Reading Collection Parts Guide Konica Minolta C450
  10. Overcoming Reading Challenges
    - Dealing with Digital Eye Strain
    - Minimizing Distractions
    - Managing Screen Time
  11. Cultivating a Reading Routine Parts Guide Konica Minolta C450
    - Setting Reading Goals Parts Guide Konica Minolta C450
    - Carving Out Dedicated Reading Time
  12. Sourcing Reliable Information of Parts Guide Konica Minolta C450
    - Fact-Checking eBook Content of Parts Guide Konica Minolta C450
    - Distinguishing Credible Sources
  13. Promoting Lifelong Learning
    - Utilizing eBooks for Skill Development

- Exploring Educational eBooks
14. Embracing eBook Trends
- Integration of Multimedia Elements
  - Interactive and Gamified eBooks

### **Parts Guide Konica Minolta C450 Introduction**

In this digital age, the convenience of accessing information at our fingertips has become a necessity. Whether its research papers, eBooks, or user manuals, PDF files have become the preferred format for sharing and reading documents. However, the cost associated with purchasing PDF files can sometimes be a barrier for many individuals and organizations. Thankfully, there are numerous websites and platforms that allow users to download free PDF files legally. In this article, we will explore some of the best platforms to download free PDFs. One of the most popular platforms to download free PDF files is Project Gutenberg. This online library offers over 60,000 free eBooks that are in the public domain. From classic literature to historical documents, Project Gutenberg provides a wide range of PDF files that can be downloaded and enjoyed on various devices. The website is user-friendly and allows users to search for specific titles or browse through different categories. Another reliable platform for downloading Parts Guide Konica Minolta C450 free PDF files is Open Library. With its vast collection of over 1 million eBooks, Open Library has something for every reader. The website offers a seamless experience by providing options to borrow or download PDF files. Users simply need to create a free account to access this treasure trove of knowledge. Open Library also allows users to contribute by uploading and sharing their own PDF files, making it a collaborative platform for book enthusiasts. For those interested in academic resources, there are websites dedicated to providing free PDFs of research papers and scientific articles. One such website is Academia.edu, which allows researchers and scholars to share their work with a global audience. Users can download PDF files of research papers, theses, and dissertations covering a wide range of subjects. Academia.edu also provides a platform for discussions and networking within the academic community. When it comes to downloading Parts Guide Konica Minolta C450 free PDF files of magazines, brochures, and catalogs, Issuu is a popular choice. This digital publishing platform hosts a vast collection of publications from around the world. Users can search for specific titles or explore various categories and genres. Issuu offers a seamless reading experience with its user-friendly interface and allows users to download PDF files for offline reading. Apart from dedicated platforms, search engines also play a crucial role in finding free PDF files. Google, for instance, has an advanced search feature that allows users to filter results by file type. By specifying the file type as "PDF," users can find websites that offer free PDF downloads on a specific topic. While downloading Parts Guide Konica Minolta C450 free PDF files is convenient, its important to note that copyright laws must be respected. Always ensure that the PDF files you download are

legally available for free. Many authors and publishers voluntarily provide free PDF versions of their work, but its essential to be cautious and verify the authenticity of the source before downloading Parts Guide Konica Minolta C450. In conclusion, the internet offers numerous platforms and websites that allow users to download free PDF files legally. Whether its classic literature, research papers, or magazines, there is something for everyone. The platforms mentioned in this article, such as Project Gutenberg, Open Library, Academia.edu, and Issuu, provide access to a vast collection of PDF files. However, users should always be cautious and verify the legality of the source before downloading Parts Guide Konica Minolta C450 any PDF files. With these platforms, the world of PDF downloads is just a click away.

### FAQs About Parts Guide Konica Minolta C450 Books

1. Where can I buy Parts Guide Konica Minolta C450 books? Bookstores: Physical bookstores like Barnes & Noble, Waterstones, and independent local stores. Online Retailers: Amazon, Book Depository, and various online bookstores offer a wide range of books in physical and digital formats.
2. What are the different book formats available? Hardcover: Sturdy and durable, usually more expensive. Paperback: Cheaper, lighter, and more portable than hardcovers. E-books: Digital books available for e-readers like Kindle or software like Apple Books, Kindle, and Google Play Books.
3. How do I choose a Parts Guide Konica Minolta C450 book to read? Genres: Consider the genre you enjoy (fiction, non-fiction, mystery, sci-fi, etc.). Recommendations: Ask friends, join book clubs, or explore online reviews and recommendations. Author: If you like a particular author, you might enjoy more of their work.
4. How do I take care of Parts Guide Konica Minolta C450 books? Storage: Keep them away from direct sunlight and in a dry environment. Handling: Avoid folding pages, use bookmarks, and handle them with clean hands. Cleaning: Gently dust the covers and pages occasionally.
5. Can I borrow books without buying them? Public Libraries: Local libraries offer a wide range of books for borrowing. Book Swaps: Community book exchanges or online platforms where people exchange books.
6. How can I track my reading progress or manage my book collection? Book Tracking Apps: Goodreads, LibraryThing, and Book Catalogue are popular apps for tracking your reading progress and managing book collections. Spreadsheets: You can create your own spreadsheet to track books read, ratings, and other details.
7. What are Parts Guide Konica Minolta C450 audiobooks, and where can I find them? Audiobooks: Audio recordings of books, perfect for listening while commuting or multitasking. Platforms: Audible, LibriVox, and Google Play Books offer

- a wide selection of audiobooks.
8. How do I support authors or the book industry? Buy Books: Purchase books from authors or independent bookstores. Reviews: Leave reviews on platforms like Goodreads or Amazon. Promotion: Share your favorite books on social media or recommend them to friends.
  9. Are there book clubs or reading communities I can join? Local Clubs: Check for local book clubs in libraries or community centers. Online Communities: Platforms like Goodreads have virtual book clubs and discussion groups.
  10. Can I read Parts Guide Konica Minolta C450 books for free? Public Domain Books: Many classic books are available for free as they're in the public domain. Free E-books: Some websites offer free e-books legally, like Project Gutenberg or Open Library.

**Find Parts Guide Konica Minolta C450 :**

[nccer practice test pipefitter](#)

**nature cure in eye care nature cure in eye care**

**natural states the environmental imagination in maine oregon and the nation**

*nec neax 2000 ips programming manual*

~~[nelex integumentary study guide](#)~~

**nature paek game dawn**

[natural hazards earths processes as hazards disasters and catastrophes 4th edition](#)

**natura artis magistra**

*nature of science holt study guide answers*

**ncsf study guide**

*nature scavenger hunt*

[nec mt1060 manual](#)

**nec ipasolink 200 manual**

**naturally skinsational rejuvenating skin care recipes**

[ncert lab manual biology 12 class](#)

**Parts Guide Konica Minolta C450 :**

[chowringhee by sankar goodreads](#) - May 01 2022



web chowringhee book read 243 reviews from the world s largest community for readers here day and night were interchangeable the immaculately dressed ch

*buy chowringhee book online at low prices in india chowringhee* - Aug 04 2022

web set in 1950s calcutta chowringhee is a sprawling saga of the intimate lives of managers employees and guests at one of calcutta s largest hotels the shahjahan shankar the newest recruit recounts the stories of several people whose lives come together in the suites restaurants bar and backrooms of the hotel

*chowringhee by sankar goodreads* - Jul 15 2023

web set in 1950s calcutta chowringhee is a sprawling saga of the intimate lives of managers employees and guests at one of calcutta s largest hotels the shahjahan shankar the newest recruit recounts the stories of several people whose lives come together in the suites restaurants bar and backrooms of the hotel

*chowringhee by sankar trans arunava sinha the independent* - Mar 31 2022

web near the end of chowringhee we hear a yarn from the old timer hobbs this grizzled veteran of the raj has memories of a calcutta grand hotel the shahjahan the story stuffed centre of this

**hotel calcutta fiction the guardian** - Jul 03 2022

web apr 17 2009 not quite true for his creator sankar the writer at the end has chowringhee a lovely charming book brimming with life and full of the unexpectedness of a closely observed world

**sankar author of chowringhee goodreads** - Feb 27 2022

web during 1962 shankar conceived the idea of writing the novel chowringhee on a rainy day at the waterlogged crossing of central avenue and dalhousie a busy business district in the heart of kolkata many of shankar s works have been made into films

chowringhee sankar - Dec 28 2021

web the complete review fiction chowringhee by sankar general information review summaries our review links about the author bengali title ঝাঙা ঝাঙা translated by arunava sinha chowringhee was made into a film in 1968 directed by pinaki mukhopadhyay return to top of the page our assessment b entertaining period

**chowringhee by sankar books on google play** - Oct 06 2022

web chowringhee ebook written by sankar read this book using google play books app on your pc android ios devices download for offline reading highlight bookmark or take notes while you read chowringhee

chowringhee by sankar open library - Mar 11 2023

web jan 9 2008 previews available in english subjects translations into english hotel bengali fiction politics and government religion and politics terrorism religious

**chowringhee novel wikiwand** - Nov 07 2022

web chowronghee is a novel by bengali author sankar first published in bengali in 1962 the novel became a bestseller and was translated into a number of indian languages and made into a film and a play it is considered arguably sankar s most

*chowringhee by sankar fantastic fiction* - Sep 05 2022

web the immaculately dressed chowringhee radiant in her youth had just stepped on to the floor at the nightclub set in 1950s calcutta chowringhee is a sprawling saga of the intimate lives of managers employees and guests

looking back at chowringhee by sankar on kolkata the hindu - Dec 08 2022

web jun 23 2022 sankar b 1933 loves to talk about his chowringhee epiphany how he stood at a corner of calcutta s famous street by that name waiting for the rain to stop and picked up a book from a tiny

**chowringhee sankar Samkara google books** - Apr 12 2023

web written by best selling bengali author sankar chowringhee was published as a novel in 1962 predating arthur hailey s hotel by three years it became an instant hit spawning translations in

chowringhee novel wikipedia - Aug 16 2023

web chowronghee is a novel by bengali author sankar first published in bengali in 1962 the novel became a bestseller and was translated into a number of indian languages and made into a film and a play 1 it is considered arguably sankar s most popular book 2 a classic novel in bengali 3

*chowringhee samDKara 1933 free download borrow and* - Jun 14 2023

web viii 403 pages 21 cm through the prism of a lowly hotel clerk s eyes sankar presents a microcosm of life in the city with extraordinary candor novel access restricted item true

*chowringhee amazon co uk sankar 9780143101031 books* - Jan 09 2023

web buy chowringhee by sankar isbn 9780143101031 from amazon s book store everyday low prices and free delivery on eligible orders

pdf chowringhee by all fictional novels by sankar bdebooks - Jan 29 2022

web free download chowringhee by all fictional novels by sankar in pdf and epub format chowringhee belongs in fiction book categories this book has pages and 11 51 mb in size also you can read online chowringhee for free also you can free download other or related books from fiction genre

**chowringhee sankar 9780143101031 books amazon ca** - Jun 02 2022

web jul 2 2008 chowringhee simply is the life of the varied class of visitors at the institutional shahjahan hotel either narrated to or through the eyes of shankar employed here after working for the last english barrister at old post office street

*chowringhee sankar amazon com tr kitap* - May 13 2023

web chowringhee sankar amazon com tr kitap Çerez tercihlerinizi seçin Çerez bildirimimizde ayrıntılı şekilde açıklandığı üzere alışveriş yapmanızı sağlamak alışveriş deneyiminizi iyileştirmek ve hizmetlerimizi sunmak için gerekli olan çerezleri ve benzer araçları kullanırız

**chowringhee sankar arunava sinha 9780143101031** - Feb 10 2023

web jan 2 2007 Şaḡkara chowringhee paperback january 2 2007 by sankar author arunava sinha translator 85 ratings see all formats and editions kindle 14 00 read with our free app hardcover 12 99 6 used from 2 00 paperback 9 09 8 used from 5 59 1 new from 46 39 1 collectible from 15 99

**die inoffizielle bibel fur minecrafter geschichte joy fielding** - Apr 16 2023

web die inoffizielle bibel fur minecrafter geschichte die inoffizielle bibel fur minecrafter geschichte 3 downloaded from rjonline org on 2020 11 17 by guest between the great cunard line and its chief competitor the white star line against this backdrop olympic titanic and britannic were conceived designed

*the unofficial holy bible for minecrafters a children s guide to* - Mar 03 2022

web mar 3 2015 the unofficial holy bible for minecrafters a children s guide to the old and new testament unofficial minecrafters holy bible miko christopher romines garrett lundy wanda m smith terry a on amazon com free shipping on qualifying offers the unofficial holy bible for minecrafters a children s guide to the old and new

die inoffizielle bibel fur minecrafter geschichte ibp inc pdf - Oct 10 2022

web die inoffizielle bibel fur minecrafter geschichte is available in our digital library an online access to it is set as public for that reason you can download it instantly our digital library saves in combined countries allowing you to get the most less latency time to

die inoffizielle bibel fur minecrafter geschichte - Jan 01 2022

web die inoffizielle bibel fur minecrafter geschichte die inoffizielle bibel für minecrafter apr 03 2023 die inoffizielle thermomix bibel dec 19 2021 sind sie es leid nach einem langen arbeitstag stundenlang in der küche zu stehen und wollen sich aber dennoch abwechslungsreich und frisch ernähren erfahren sie in die thermomix bibel wie

**die inoffizielle bibel fur minecrafter geschichte pdf** - Sep 21 2023

web jetzt gibt es die echte inoffizielle und geheime biografie die den weg der band und ihres masterminds nachzeichnet und uns allen den herzensbrecher und heart rocker noch etwas näher bringt dies gelingt dem autor auch dank der unterstützung durch him entdeckerin silke yli sirniö die von den bandmitgliedern liebevoll mutti genannt wird

**die inoffizielle bibel für minecrafter geschichten der bibel block** - Oct 22 2023

web die inoffizielle bibel für minecrafter geschichten der bibel block für block erzählt romines garrett miko christopher isbn 9783957341716 kostenloser versand für alle bücher mit versand und verkauf duch amazon

**die inoffizielle bibel für minecrafter geschichten der bibel block** - Jun 18 2023

web die inoffizielle bibel für minecrafter geschichten der bibel block für block erzählt on amazon com au free shipping on eligible orders die inoffizielle bibel für minecrafter geschichten der bibel block für block erzählt

die inoffizielle bibel für minecrafter lünebuch de - Nov 11 2022

web aug 29 2016 p eine neue aufregende welt steht bereit voller abenteuer wunder und gefahren lust auf einen spaziergang im garten eden sei dabei wenn noah seine arche baut oder gott das rote meer teilt erlebe wie die mauern von jericho block für block auseinanderbrechen und jesus seine wunder vollbringt all das und noch viel mehr

die inoffizielle bibel für minecrafter - Jan 13 2023

web die inoffizielle bibel für minecrafter auf einen blick 29 biblische geschichten in außergewöhnlichem stil kurz prägnant und humorvoll erzählt liebevolle und detaillierte umsetzung der geschichten schafft einen bezug zur lebenswirklichkeit von videospielefans zu biblischen texten

*die inoffizielle bibel für minecrafter unterwegs mit jesus* - Aug 20 2023

web die inoffizielle bibel für minecrafter unterwegs mit jesus geschichten der bibel block für block erzählt taschenbuch 27 august 2018 von garrett romines autor christopher miko illustrator 4 6 4 6 von 5 sternern 21 sternbewertungen alle formate und

die inoffizielle bibel für minecrafter geschichte pdf uniport edu - Jun 06 2022

web apr 18 2023 die inoffizielle bibel für minecrafter geschichte 1 10 downloaded from uniport edu ng on april 18 2023 by guest die inoffizielle bibel für minecrafter geschichte right here we have countless books die inoffizielle bibel für minecrafter geschichte and collections to check out we additionally pay for variant types and then

die inoffizielle bibel für minecrafter thalia at - Mar 15 2023

web wie sie die inoffizielle bibel für minecrafter erarbeitet haben welche szenen schwer umzusetzen waren und dass es auch ein paar easter eggs gibt in 29 kapiteln werden biblische geschichten aus dem neuen und alten testament erzählt

*die inoffizielle bibel für minecrafter geschichte pdf uniport edu* - Feb 02 2022

web oct 3 2023 die inoffizielle bibel für minecrafter geschichte 2 13 downloaded from uniport edu ng on october 3 2023 by guest new ways to unlock your creative potential and to foster an environment that encourages innovation and allows it to flourish you ll learn how to match and beat the most powerful competitors develop the most

**die inoffizielle bibel für minecrafter geschichten der bibel block** - May 17 2023

web sep 1 2016 amazon com die inoffizielle bibel für minecrafter geschichten der bibel block für block erzählt 9783957341716 romines garrett miko christopher books

die inoffizielle bibel für minecrafter geschichte - Aug 08 2022

web you may not be perplexed to enjoy every ebook collections die inoffizielle bibel fur minecrafter geschichte that we will agreed offer it is not roughly the costs its very nearly what you craving currently this die inoffizielle bibel fur minecrafter geschichte as one of the most functional sellers here will extremely be along with

**die inoffizielle bibel fur minecrafter geschichte** - May 05 2022

web die inoffizielle bibel fur minecrafter geschichte downloaded from ws 1 ps2pdf com by guest abigail harrison electrical engineering without prior knowledge verlag herder gmbh die methoden laden kinder ein 37 biblischen geschichten aus dem alten testament vom buch richter bis zum propheten jona zu begegnen inhalt wahrnehmen sich mit

**die inoffizielle bibel für minecrafter geschichten der** - Dec 12 2022

web die inoffizielle bibel für minecrafter geschichten der bücher gebraucht antiquarisch neu kaufen preisvergleich käuferschutz wir bücher die inoffizielle bibel für minecrafter geschichten der

online bibel und minecraft bibelzentrum barth - Apr 04 2022

web apr 28 2020 an alle minecrafter innen und leute die es noch werden wollen wir wollen mit euch zusammen biblische geschichten mit dem computerspiel minecraft nachbauen bibel und minecraft 100 orte aus der apostelgeschichte ihr seid dabei dann meldet euch schnell an die plätze sind begrenzt bitte anmelden unter

*die inoffizielle bibel fur minecrafter geschichte james swallow* - Sep 09 2022

web die inoffizielle bibel fur minecrafter geschichte when somebody should go to the ebook stores search launch by shop shelf by shelf it is really problematic this is why we present the ebook compilations in this website it will enormously ease you to look guide die inoffizielle bibel fur minecrafter geschichte as you such as

die inoffizielle bibel für minecrafter gerth de - Jul 19 2023

web in die inoffizielle bibel für minecrafter werden die geschichten der bibel block für block nacherzählt natürlich ist auf 288 seiten nicht genug platz für alle geschichten so haben die autoren sich für 29 bekannte geschichten aus dem alten und neuen testament entschieden die ihrer meinung nach die hauptthemen der bibel verknüpfen

die inoffizielle bibel fur minecrafter geschichte pdf - Feb 14 2023

web entdecke die welt von biomia besuche die original schauplätze der handlung und löse dort knifflige aufgaben kämpfe gegen monster oder andere spieler und baue eigene gebäude band 2 der biomia reihe abenteuer für minecraft spieler die rache der zombie mönche graphic novel für minecrafter may 25 2022

*die inoffizielle bibel fur minecrafter geschichte pdf uniport edu* - Jul 07 2022

web jun 13 2023 you could enjoy now is die inoffizielle bibel fur minecrafter geschichte below exploring the britannic simon mills 2019 03 07 launched in 1914 two years after the ill fated voyage of her sister ship rms titanic the britannic was intended to be superior to her tragic twin in every way but war intervened and

**die inoffizielle bibel fur minecrafter geschichte jerome preisler** - Nov 30 2021

web line this online notice die inoffizielle bibel fur minecrafter geschichte can be one of the options to accompany you taking into consideration having further time it will not waste your time acknowledge me the e book will unquestionably heavens you supplementary issue to read just invest tiny get older to way in this on line broadcast die

**contents league of legends realms of runeterra official companion** - Jul 03 2022

web twitch twitch tv father of draven subscribe now rort realmsofruneterra leagueoflegendscompanion welcome summoners in this video

**league of legends realms of runeterra official companion** - Jun 02 2022

web nov 5 2019 league of legends realms of runeterra official companion by riot games write a review hardcover 26 99 30 00 save 10 hardcover 26 99 ebook 15 99 view all available formats editions ship this item qualifies for free shipping choose expedited shipping at checkout for delivery by wednesday september 13 instant

**lol league of legends realms of runeterra official companion** - Sep 05 2022

web amzn to 2u83nvcplease purchase to fully enjoy the book thanks please subscribe for more book reviews and flip through this video is created for rev

league of legends realms of runeterra official companion - Aug 04 2022

web hardcover 34 64 2 used from 34 54 16 new from 34 64 embark on a journey through the realms of runeterra in this first ever collectable companion book published to celebrate the game s tenth anniversary

**runeterra league of legends wiki fandom** - Mar 11 2023

web runeterra meaning magic earth is a plane of existence composed of the physical realm an oblate spheroid planet 1 and the spirit realm it is also the fictional world where most of the lore of the league of legends intellectual property takes place runeterra is part of the larger runeterra prime universe

*league of legends realms of runeterra official companion* - May 01 2022

web unlock the mysteries and magic within league of legends one of the world s most popular video games in this encyclopedic and collectible companion book that explores the game s epic lore embark on a journey through the realms of runeterra in this first ever collectible companion book published to celebrate the game s tenth anniversary

**legends of runeterra mmorpg com** - Dec 28 2021

web legends of runeterra is a strategy card game set in the world of league of legends where skill creativity and cleverness determine your success face off in dynamic alternating combat full of

*realms of runeterra league of legends wiki fandom* - May 13 2023

web realms of runeterra is a encyclopedia book released by riot games inc on november 5th 2019 it primarily focuses on the

lore of the league of legends video game unlock the mysteries and magic within league of legends one of the world s most popular video games in this encyclopedic and

[legends of runeterra wiki league of legends wiki fandom](#) - Dec 08 2022

web welcome to the wiki for legends of runeterra the digital card game developed by riot games legends of runeterra sets card types champions followers equipments spells landmarks regions tutorials gauntlets labs the path of champion account and collection lists of cards decks coins shards wildcards boards guardians card backs emotes

*league of legends realms of runeterra official companion google play* - Nov 07 2022

web league of legends realms of runeterra official companion audiobook written by riot games narrated by lynn bradford get instant access to all your favorite books no monthly commitment listen online or offline with android ios web chromecast and google assistant try google play audiobooks today

*league of legends realms of runeterra official companion* - Apr 12 2023

web embark on a journey through the realms of runeterra in this first ever collectable companion book published to celebrate the game s tenth anniversary spanning the farthest reaches of this universe and venturing into uncharted territory this encyclopedic compendium connects players to the rich storytelling that inspires all the action

[league of legends realms of runeterra official companion](#) - Mar 31 2022

web nov 5 2019 league of legends realms of runeterra official companion kindle edition by riot games download it once and read it on your kindle device pc phones or tablets use features like bookmarks note taking and highlighting while reading

league of legends realms of runeterra official companion

[league of legends realms of runeterra official companion](#) - Oct 06 2022

web league of legends realms of runeterra official companion video demonstrativo

**legends of runeterra** - Aug 16 2023

web choose your champions make your move and be legendary in the league of legends strategy card game legends of runeterra

[map of runeterra universe league of legends](#) - Jun 14 2023

web explore the world of league of legends through an interactive map of runeterra

[realms of runeterra universe of league of legends](#) - Jul 15 2023

web discover the lore of runeterra in riot games first ever collectible narrative companion book this tome will take you on a journey through eleven of runeterra s regions chronicling conflicts entrenched rivalries and covert alliances while giving new insights into the heroes flora fauna architecture politics and technologies from

[league of legends realms of runeterra official companion](#) - Feb 27 2022

web league of legends realms of runeterra official companion audible audiobook unabridged unlock the mysteries and magic within league of legends one of the world s most popular video games in this encyclopedic

**realms of runeterra universe of league of legends** - Feb 10 2023

web realms of runeterra contains hundreds of illustrations including new never before seen maps and artwork as well as original narratives that will bring the cultures of runeterra to life click to order realms of runeterra at any of these retailers orders are available in

*horizonbound pass and more league of legends* - Jan 09 2023

web sep 12 2023 the convergence storm that reforged runeterra has taken a turn to warmer more tropical and more pirate y conditions and the storm is just on the horizon it s bound to hit soon by 11am pt on the 13th chasing the storm are two new little legends chibi irelia and an updated pass first things first let s take a pass at the pass

**teamfight tactics patch 13 18 notes league of legends** - Jan 29 2022

web sep 12 2023 the other little legend scuba sprite can be found at the bottom of the deepest chasm or the start of the pass whether you have the pass or the pass finally when exploring a place like runeterra you re bound to come across the odd life draining power or serpent slaying harpoon