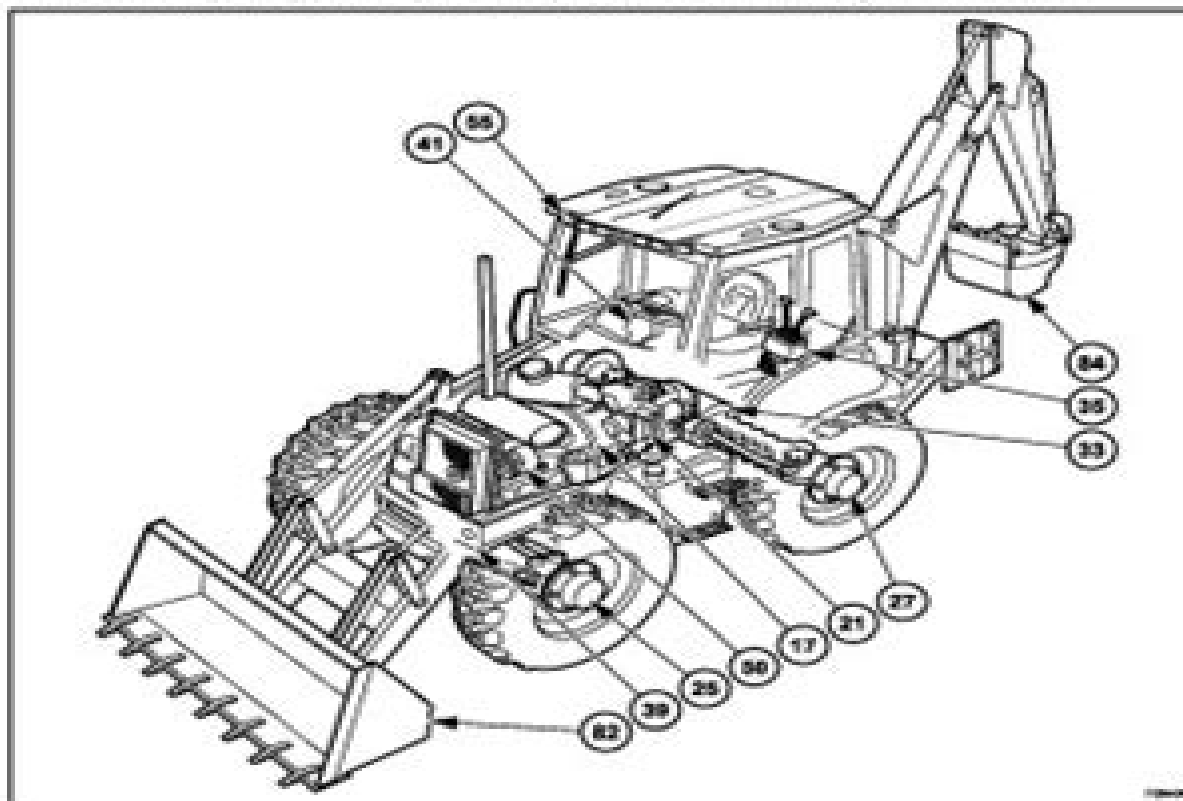


SECTIONS INDEX

Where disassembly of a specific component is required refer to the relevant repair manual section.



SECTION 17: TORQUE CONVERTER

SECTION 21: TRANSMISSION

SECTION 25: FRONT AXLE

SECTION 27: REAR AXLE

SECTION 33: BRAKE SYSTEM

SECTION 35: HYDRAULIC SYSTEM

SECTION 39: CHASSIS

SECTION 41: STEERING SYSTEM

SECTION 50: CAB HEATING AND AIR CONDITIONING

SECTION 53: ELECTRICAL SYSTEM

SECTION 52: LOADER

SECTION 54: BACKHOE

New Holland Backhoe Service Manual

Ying Liu



New Holland Backhoe Service Manual:

Recognizing the quirk ways to acquire this books **New Holland Backhoe Service Manual** is additionally useful. You have remained in right site to begin getting this info. get the New Holland Backhoe Service Manual associate that we find the money for here and check out the link.

You could purchase lead New Holland Backhoe Service Manual or get it as soon as feasible. You could quickly download this New Holland Backhoe Service Manual after getting deal. So, gone you require the books swiftly, you can straight get it. Its for that reason entirely simple and fittingly fats, isnt it? You have to favor to in this spread

https://correiodobrasil.blogosfero.cc/data/Resources/Download_PDFS/O%20Wow%20Discovering%20Your%20Ultimate%20Orgasm.pdf

Table of Contents New Holland Backhoe Service Manual

1. Understanding the eBook New Holland Backhoe Service Manual
 - The Rise of Digital Reading New Holland Backhoe Service Manual
 - Advantages of eBooks Over Traditional Books
2. Identifying New Holland Backhoe Service Manual
 - Exploring Different Genres
 - Considering Fiction vs. Non-Fiction
 - Determining Your Reading Goals
3. Choosing the Right eBook Platform
 - Popular eBook Platforms
 - Features to Look for in a New Holland Backhoe Service Manual
 - User-Friendly Interface
4. Exploring eBook Recommendations from New Holland Backhoe Service Manual
 - Personalized Recommendations
 - New Holland Backhoe Service Manual User Reviews and Ratings
 - New Holland Backhoe Service Manual and Bestseller Lists

5. Accessing New Holland Backhoe Service Manual Free and Paid eBooks
 - New Holland Backhoe Service Manual Public Domain eBooks
 - New Holland Backhoe Service Manual eBook Subscription Services
 - New Holland Backhoe Service Manual Budget-Friendly Options
6. Navigating New Holland Backhoe Service Manual eBook Formats
 - ePub, PDF, MOBI, and More
 - New Holland Backhoe Service Manual Compatibility with Devices
 - New Holland Backhoe Service Manual Enhanced eBook Features
7. Enhancing Your Reading Experience
 - Adjustable Fonts and Text Sizes of New Holland Backhoe Service Manual
 - Highlighting and Note-Taking New Holland Backhoe Service Manual
 - Interactive Elements New Holland Backhoe Service Manual
8. Staying Engaged with New Holland Backhoe Service Manual
 - Joining Online Reading Communities
 - Participating in Virtual Book Clubs
 - Following Authors and Publishers New Holland Backhoe Service Manual
9. Balancing eBooks and Physical Books New Holland Backhoe Service Manual
 - Benefits of a Digital Library
 - Creating a Diverse Reading Collection New Holland Backhoe Service Manual
10. Overcoming Reading Challenges
 - Dealing with Digital Eye Strain
 - Minimizing Distractions
 - Managing Screen Time
11. Cultivating a Reading Routine New Holland Backhoe Service Manual
 - Setting Reading Goals New Holland Backhoe Service Manual
 - Carving Out Dedicated Reading Time
12. Sourcing Reliable Information of New Holland Backhoe Service Manual
 - Fact-Checking eBook Content of New Holland Backhoe Service Manual
 - Distinguishing Credible Sources
13. Promoting Lifelong Learning

- Utilizing eBooks for Skill Development
 - Exploring Educational eBooks
14. Embracing eBook Trends
- Integration of Multimedia Elements
 - Interactive and Gamified eBooks

New Holland Backhoe Service Manual Introduction

In today's digital age, the availability of New Holland Backhoe Service Manual books and manuals for download has revolutionized the way we access information. Gone are the days of physically flipping through pages and carrying heavy textbooks or manuals. With just a few clicks, we can now access a wealth of knowledge from the comfort of our own homes or on the go. This article will explore the advantages of New Holland Backhoe Service Manual books and manuals for download, along with some popular platforms that offer these resources. One of the significant advantages of New Holland Backhoe Service Manual books and manuals for download is the cost-saving aspect. Traditional books and manuals can be costly, especially if you need to purchase several of them for educational or professional purposes. By accessing New Holland Backhoe Service Manual versions, you eliminate the need to spend money on physical copies. This not only saves you money but also reduces the environmental impact associated with book production and transportation. Furthermore, New Holland Backhoe Service Manual books and manuals for download are incredibly convenient. With just a computer or smartphone and an internet connection, you can access a vast library of resources on any subject imaginable. Whether you're a student looking for textbooks, a professional seeking industry-specific manuals, or someone interested in self-improvement, these digital resources provide an efficient and accessible means of acquiring knowledge. Moreover, PDF books and manuals offer a range of benefits compared to other digital formats. PDF files are designed to retain their formatting regardless of the device used to open them. This ensures that the content appears exactly as intended by the author, with no loss of formatting or missing graphics. Additionally, PDF files can be easily annotated, bookmarked, and searched for specific terms, making them highly practical for studying or referencing. When it comes to accessing New Holland Backhoe Service Manual books and manuals, several platforms offer an extensive collection of resources. One such platform is Project Gutenberg, a nonprofit organization that provides over 60,000 free eBooks. These books are primarily in the public domain, meaning they can be freely distributed and downloaded. Project Gutenberg offers a wide range of classic literature, making it an excellent resource for literature enthusiasts. Another popular platform for New Holland Backhoe Service Manual books and manuals is Open Library. Open Library is an initiative of the Internet Archive, a non-profit organization dedicated to digitizing cultural artifacts and making them accessible to the public. Open Library hosts millions of books, including both public domain works

and contemporary titles. It also allows users to borrow digital copies of certain books for a limited period, similar to a library lending system. Additionally, many universities and educational institutions have their own digital libraries that provide free access to PDF books and manuals. These libraries often offer academic texts, research papers, and technical manuals, making them invaluable resources for students and researchers. Some notable examples include MIT OpenCourseWare, which offers free access to course materials from the Massachusetts Institute of Technology, and the Digital Public Library of America, which provides a vast collection of digitized books and historical documents. In conclusion, New Holland Backhoe Service Manual books and manuals for download have transformed the way we access information. They provide a cost-effective and convenient means of acquiring knowledge, offering the ability to access a vast library of resources at our fingertips. With platforms like Project Gutenberg, Open Library, and various digital libraries offered by educational institutions, we have access to an ever-expanding collection of books and manuals. Whether for educational, professional, or personal purposes, these digital resources serve as valuable tools for continuous learning and self-improvement. So why not take advantage of the vast world of New Holland Backhoe Service Manual books and manuals for download and embark on your journey of knowledge?

FAQs About New Holland Backhoe Service Manual Books

What is a New Holland Backhoe Service Manual PDF? A PDF (Portable Document Format) is a file format developed by Adobe that preserves the layout and formatting of a document, regardless of the software, hardware, or operating system used to view or print it. **How do I create a New Holland Backhoe Service Manual PDF?** There are several ways to create a PDF: Use software like Adobe Acrobat, Microsoft Word, or Google Docs, which often have built-in PDF creation tools. Print to PDF: Many applications and operating systems have a "Print to PDF" option that allows you to save a document as a PDF file instead of printing it on paper. Online converters: There are various online tools that can convert different file types to PDF. **How do I edit a New Holland Backhoe Service Manual PDF?** Editing a PDF can be done with software like Adobe Acrobat, which allows direct editing of text, images, and other elements within the PDF. Some free tools, like PDFescape or Smallpdf, also offer basic editing capabilities. **How do I convert a New Holland Backhoe Service Manual PDF to another file format?** There are multiple ways to convert a PDF to another format: Use online converters like Smallpdf, Zamzar, or Adobe Acrobat's export feature to convert PDFs to formats like Word, Excel, JPEG, etc. Software like Adobe Acrobat, Microsoft Word, or other PDF editors may have options to export or save PDFs in different formats. **How do I password-protect a New Holland Backhoe Service Manual PDF?** Most PDF editing software allows you to add password protection. In Adobe Acrobat, for instance, you can go to "File" -> "Properties" -> "Security" to set a password to restrict

access or editing capabilities. Are there any free alternatives to Adobe Acrobat for working with PDFs? Yes, there are many free alternatives for working with PDFs, such as: LibreOffice: Offers PDF editing features. PDFsam: Allows splitting, merging, and editing PDFs. Foxit Reader: Provides basic PDF viewing and editing capabilities. How do I compress a PDF file? You can use online tools like Smallpdf, ILovePDF, or desktop software like Adobe Acrobat to compress PDF files without significant quality loss. Compression reduces the file size, making it easier to share and download. Can I fill out forms in a PDF file? Yes, most PDF viewers/editors like Adobe Acrobat, Preview (on Mac), or various online tools allow you to fill out forms in PDF files by selecting text fields and entering information. Are there any restrictions when working with PDFs? Some PDFs might have restrictions set by their creator, such as password protection, editing restrictions, or print restrictions. Breaking these restrictions might require specific software or tools, which may or may not be legal depending on the circumstances and local laws.

Find New Holland Backhoe Service Manual :

[o wow discovering your ultimate orgasm](#)

[nutrition answers guide to good food](#)

[oceans official companion to the disney feature film](#)

[nypd patrol guide address](#)

nur leben ist sch ner roman

nx training manuals

nx100 advanced training manual

oath breaker sons of odin book 3

o love how deep expressive piano solos for holy week

obra breve cuentos completos

[nursing in the community dimensions of community health nursing](#)

nx 8 manual library

nuvenio remote control manual

nx 8 training manual

[oceanography lab manual lemke](#)

New Holland Backhoe Service Manual :

free pdf download harry cover tome 3 il faut sauver le sorcier cove - Apr 19 2022

web originaire de l iowa lui annoncer qu il a perdu ses trois frères tombés au champ d honneur et le rapatrier ordre du général marshall en personne motif ne pas démoraliser l opinion américaine mais ryan a reçu l ordre de défendre le pont de ramelle il y va de la victoire des alliés et il n est pas du genre à désertir son poste

amazon in customer reviews harry cover t03 il faut sauver le sorcier - Mar 31 2023

web find helpful customer reviews and review ratings for harry cover t03 il faut sauver le sorcier cover at amazon com read honest and unbiased product reviews from our users

harry cover t 3 il faut sauver le sorcier cover cultura - Sep 05 2023

web ajouter 9 17 harry cover t 3 il faut sauver le sorcier cover aux éditions delcourt depuis trois mois pron hormone et harry claquent des dents dans un igloo pour échapper à une terrible dette de jeux sans un sou les jeunes sorciers n ont d

harry cover tome 3 il faut sauver le sorcier cove pdf - Mar 19 2022

web la saga une saison à crescent cove de christie ridgway l amour d un été peut durer toute une vie de sable de soleil et d écume le jour où jane pearson coach en écriture frappe à la porte du magnifique bungalow de griffin lowell sur

harry cover t03 il faut sauver le sorcier cover by amazon ae - Feb 27 2023

web buy harry cover t03 il faut sauver le sorcier cover by online on amazon ae at best prices fast and free shipping free returns cash on delivery available on eligible purchase

read free harry cover tome 3 il faut sauver le sorcier cove - Jul 23 2022

web il faut sauver le sorcier cover dec 14 2022 qui aurait pu imaginer qu une cole de sorcellerie poudrozieu existe bel et bien en angleterre parmi ses lves un jeune garon lunettes affubl d une curieuse cicatrice sur le front harry cover harry et ses amis doivent rsoudre un nouveau mystre pour cela ils s enfoncent dans les profondeurs

harry cover a la passion des fruits et légumes parisparis in - May 21 2022

web sur les conseils de marie anne cantin nous nous sommes rendus chez harry cover une formidable boutique de fruits et légumes tenue par gérard et son fils julien le métier se transmet de père en fils depuis 5 générations nous y sommes passés un dimanche matin la boutique ne désemplie pas le flot de clients anonymes ou pas est impressionnant

harry cover tome 3 il faut sauver le sorcier cove ralph j - Nov 26 2022

web you could purchase guide harry cover tome 3 il faut sauver le sorcier cove or get it as soon as feasible you could quickly download this harry cover tome 3 il faut sauver le sorcier cove after getting deal so similar to you require the book swiftly you can straight acquire it its fittingly entirely easy and so fats isnt it

amazon co uk customer reviews harry cover t03 il faut sauver le - May 01 2023

web find helpful customer reviews and review ratings for harry cover t03 il faut sauver le sorcier cover at amazon com read honest and unbiased product reviews from our users

harry cover tome 3 il faut sauver le sorcier cover by pierre - Feb 15 2022

web jul 5 2023 harry cover tome 3 il faut sauver le sorcier cover 12 faible christobal esdras et pierre veys depuis trois mois pron hormone et harry claquent des dents dans un igloo pour échapper à une terrible dette de jeux sans un sou les jeunes sorciers n ont d autre choix que de retourner à

harry cover t03 il faut sauver le sorcier cover paperback - Jan 29 2023

web amazon in buy harry cover t03 il faut sauver le sorcier cover book online at best prices in india on amazon in read harry cover t03 il faut sauver le sorcier cover book reviews author details and more at amazon in free delivery on qualified orders

harry cover tome 3 il faut sauver le sorcier cove - Jun 21 2022

web harry cover tome 3 il faut sauver le sorcier cove l animisme sep 17 2022 qu ils soient d afrique ou d autres continents de nombreux peuples vouent depuis longtemps un culte aux esprits l ethnologie moderne leur a donné une place à part entière dans l histoire des religions et des mouvements spirituels

harry cover tome 3 il faut sauver le sorcier cove laura - Oct 26 2022

web statement harry cover tome 3 il faut sauver le sorcier cove that you are looking for it will utterly squander the time however below past you visit this web page it will be appropriately utterly easy to get as without difficulty as download lead harry cover tome 3 il faut sauver le sorcier cove it will not understand many time as we explain

harry cover livres bd ebooks fnac - Jun 02 2023

web may 4 2022 4 occasions dès 59 26 harry cover il faut sauver le sorcier cover tome 03 harry cover veys p esdras auteur depuis trois mois pron hormone et harry claquent des dents dans un igloo pour échapper à une terrible dette de jeux sans un sou les jeunes sorciers n ont d autre choix que de retourner à l école poudrozieu

harry cover tome 3 il faut sauver le sorcier cover - Dec 28 2022

web compre online harry cover tome 3 il faut sauver le sorcier cover de na amazon frete grÁtis em milhares de produtos com o amazon prime encontre diversos livros em inglÊs e outras línguas com ótimos preços

harry cover tome 3 il faut sauver le sorcier cove pdf - Sep 24 2022

web feb 27 2023 harry cover tome 3 il faut sauver le sorcier cove 2 8 downloaded from uniport edu ng on february 27 2023 by guest readers unesco general history of africa vol i abridged edition unesco international scientific committee for the drafting of a general history of africa 1990 this volume covers the period from the end of the

harry cover wikipédia - Aug 04 2023

web tandis que les camps ennemis s appréhendent à se livrer bataille harry se dit qu il ferait bien d utiliser le sort d intelligence

pour trouver au plus vite une idée de génie albums tome 1 l ensorcelante parodie tome 2 les mangeurs d anglais

harry cover t 03 il faut sauver le sorcier cover - Oct 06 2023

web dec 3 2008 *harry cover t 03 il faut sauver le sorcier cover* veys pierre cristobal esdras amazon ca books

harry cover tome 3 il faut sauver le sorcier cover by pierre - Aug 24 2022

web jun 17 2023 *harry cover tome 3 il faut sauver le sorcier cover by pierre* veys esdras cristobal xavier basset christophe araldi xavier basset christophe araldi is accessible in our publication compilation an online access to it

harry cover tome 3 il faut sauver le sorcier cove pdf - Jul 03 2023

web *harry cover tome 3 il faut sauver le sorcier cove* 2 8 downloaded from uniport edu ng on june 25 2023 by guest changed forever but alfie s new life has come with dangers he never could have expected when ashford the butler is kidnapped in the middle of the night the castle comes under threat from a terrifying enemy

ernährung bei arthrose entzündungshemmend essen ndr de - Jun 14 2023

web may 16 2023 stand 10 05 2023 16 52 uhr arthrose liegt ein entzündungsprozess zugrunde deshalb sollte wenig fleisch aber gern fisch und grünes auf den teller kommen bestimmte gewürze können die

ernahrungsratgeber arthritis und arthrose geniess pdf - Aug 04 2022

web 2 *ernahrungsratgeber arthritis und arthrose geniess* 2019 11 29 from the author of nobody believes me a psychological thriller in which a woman discovers just how little she can trust the man to whom she is married when he reveals a previously hidden side to his nature against nature harper collins in the michigan of 1996 seventeen

ernahrungsratgeber arthritis und arthrose geniess copy new - Dec 28 2021

web *ernahrungsratgeber arthritis und arthrose geniess* downloaded from new abbotsfordfoodbank com by guest kobe slade alan cole is not a coward candlewick press the vocation of the scholar by johann gottlieb fichte translated by william smith published by good press good press publishes a wide range of titles

ernahrungsratgeber arthritis und arthrose geniess pdf - May 01 2022

web merely said the *ernahrungsratgeber arthritis und arthrose geniess* is universally compatible with any devices to read *ernahrungsratgeber arthritis und arthrose geniess* downloaded from georgiacollegesurvey gcsu edu by guest gonzalez chris against nature harlequin part 1 ten essays survey the main groups of the nazi regime including

ernahrungsratgeber arthritis und arthrose overdrive - Apr 12 2023

web aug 24 2016 schmerzende gelenke bei arthritis und arthrose stehen in engem zusammenhang mit der ernährung denn die richtige kost kann den gesamtverlauf der arthrose hinauszögern sowie die schmerzen einer akuten arthritis lindern und zudem die einnahme von medikamenten reduzieren

ernährung bei arthrose tabelle zum ausdrucken gelenkgold - Feb 10 2023

web arthrose ernährungs liste nährstoffe die arthrose vorbeugen wie können sie sicherstellen dass sie mit ausreichenden nährstoffen versorgt sind die aufgelisteten nährstoffe unterstützen ihre gelenke knorpel und sehnen dann wenn sie in ausreichender menge und qualität eingenommen werden

mit der richtigen ernährung gegen arthritits zentrum der - Nov 07 2022

web die arthrose betrifft in deutschland rund 8 millionen menschen sie zeichnet sich in erster linie durch eine dünner werdende knorpelschicht aus die im verlauf zu entzündungen führt bei der arthritits hingegen die oft auch einfach nur als rheuma bezeichnet wird tritt zuerst die entzündung auf und erst dann der knorpelabbau es handelt sich um eine

ernährungsratgeber arthritits und arthrose genießen erlaubt - Jan 09 2023

web ernährungsratgeber arthritits und arthrose genießen erlaubt sven david müller nothmann christiane weißenberger isbn 9783899935301 kostenloser versand für alle bücher mit versand und verkauf duch amazon

was essen bei arthrose die beste ernährung für starke gelenke - Oct 06 2022

web besonders gut bei arthrose sind u a leinöl weizenkeimöl wallnusöl olivenöl und rapsöl wobei leinöl und weizenkeimöl laut den ernährungs docs am besten in kombination wirken zum braten empfiehlt das experten team übrigens kokosöl kleiner star leinöl gibt s meist in solchen fläschchen

ernährungsratgeber arthritits und arthrose genießen erlaubt - Aug 16 2023

web may 5 2014 im ernährungsratgeber arthritits und arthrose beschreibt der ernährungs experte sven david müller nothmann die möglichkeiten einer gelenkgesunden ernährung erstmals werden verschiedene seiten einer ernährungsweise beleuchtet die die beschwerden von menschen lindern die unter arthritits und arthrose leiden

ernährungsratgeber arthritits und arthrose geniess marco - May 13 2023

web ernahrungsratgeber arthritits und arthrose geniess is available in our book collection an online access to it is set as public so you can download it instantly our books collection spans in multiple countries allowing you to get the most less latency time to download any of our books like this one

ernahrungsratgeber arthritits und arthrose geniess pdf pdf - Jul 15 2023

web ernahrungsratgeber arthritits und arthrose geniess pdf introduction ernahrungsratgeber arthritits und arthrose geniess pdf pdf gelenkerkrankungen berndt rieger 2016 03 18 der schlüssel zu mehr beweglichkeit und lebensfreude schmerzende gelenke sind in jedem alter ein weitverbreitetes Übel

ernahrungsratgeber arthritits und arthrose geniess pdf pdf - Feb 27 2022

web within ernahrungsratgeber arthritits und arthrose geniess pdf in a global eaten by screens and the ceaseless chatter of immediate interaction the melodic beauty and emotional symphony created by the prepared word usually disappear in to the backdrop eclipsed by the relentless noise and distractions that permeate our lives but nestled

ernährungsratgeber arthritits und arthrose genießen erlaubt by - Mar 31 2022

web jun 27 2023 richtig essen und schmerzen lindern schmerzende gelenke bei arthritits und arthrose stehen in engem zusammenhang mit der ernährung denn die richtige kost kann den gesamtverlauf der arthrose hinauszögern sowie

ernährungsratgeber arthritits und arthrose genießen erlaubt by - Sep 05 2022

web jun 11 2023 ernährungsratgeber arthritits und arthrose genießen erlaubt support richtig essen und schmerzen lindern schmerzende gelenke bei arthritits und arthrose stehen in engem zusammenhang mit der ernährung denn die richtige kost kann ernährungsratgeber arthritits und arthrose genießen erlaubt die unter arthritits und arthrose leiden die

ernahrungsratgeber arthrititsundarthrose geniess - Mar 11 2023

web ernahrungsratgeber arthrititsundarthrose geniess what your doctor may not tell you about tm migraines source book of flavors hers was the sky chocolate the consuming passion options ernährungsratgeber osteoporose programming languages and systems gelenkerkrankungen ernährungsratgeber arthritits und arthrose free your mind the mix

ernährungsratgeber arthritits und arthrose genießen erlaubt by - Jan 29 2022

web june 2nd 2020 ernährungsratgeber arthritits und arthrose genießen erlaubt die unter arthritits und arthrose leiden die autoren haben es erreicht eine kostform zu kreieren die als gelenkgesund bezeichnet werden kann denn nur gut ernährte knorpel und gelenke bleiben dauerhaft gesund und schmerzfrei

ernahrungsratgeber arthritits und arthrose geniess - Jul 03 2022

web ernahrungsratgeber arthritits und arthrose geniess 3 3 gallic books library design in the 21st century has one common theme collaboration is at the heart of innovation designing modern libraries is a complex process involving many stakeholders and participants libraries of all types work with an almost limitless range of constituent

ernahrungsratgeber arthritits und arthrose geniess pdf ci kubesail - Jun 02 2022

web ernahrungsratgeber arthritits und arthrose geniess 5 5 order to conquer the negative energies and intentions that exist in our world simple to apply in everyday life with no previous experience necessary these techniques will help you grow your spiritual awareness and develop powerful protection for the mind body and spirit the magical

die 10 besten lebensmittel bei arthritits eat smarter - Dec 08 2022

web lebensmittel bei arthritits die top 10 1 fisch mit hohem omega 3 fettsäuren gehalt eines der besten lebensmittel bei arthritits ist fetthaltiger fisch wie zum beispiel lachs makrele sardinen oder forelle die enthaltenen omega 3 fettsäuren wirken antioxidativ und haben eine entzündungshemmende wirkung

stoma prevod sa engleskog na srpski rečnik prevodilac - Oct 02 2022

web stoma prevod sa engleskog na srpski rečnik prevodilac besplatni online rečnik i prevodilac izgovor reči i teksta putnički rečnik gramatika rečnik engleski

englesko srpski stomatoloski recnik idioma - Nov 03 2022

web englesko srpski stomatoloski recnik idioma downloaded from alpaca awamaki org by guest braylon alani euphemism and dysphemism taylor francis series of

[englesko srpski stomatoloski recnik idioma](#) - Jul 11 2023

web the book englesko srpski stomatoloski recnik idioma a literary masterpiece that delves deep to the significance of words and their affect our lives compiled by a renowned

[englesko srpski stomatoloski recnik idioma 2023](#) - Jan 05 2023

web englesko srpski stomatoloski recnik idioma longman collocations dictionary and thesaurus may 28 2022 this dictionary for intermediate advanced level learners of

englesko srpski stomatoloski recnik idioma - May 29 2022

web may 1st 2018 englesko srpski recnik fraza i idioma english serbian dictionary of phrases and idioms recnici gerzic borivoj 1100 269 recnik anglo americkog slenga

stomak prevod sa srpskog na engleski onlinerecnik com - Sep 01 2022

web etym old eng stomak french estomac latin stomachus from greek stomachos stomach throat gullet from stoma a mouth any outlet or entrance the first cavity in the

pdf englesko srpski stomatoloski recnik dokumen tips - Sep 13 2023

web englesko srpski recnik idioma xls books readr booksreadr net xls englesko srpski recnik idioma englesko srpski recnik idioma downloads at booksreadr net

englesko srpski stomatoloski recnik idioma cms tonpetitlook - Mar 07 2023

web 4 englesko srpski stomatoloski recnik idioma 2019 10 24 metaphors and metonymies and merged into more comprehensive cognitive and cultural models frames or

englesko srpski stomatoloski recnik idioma - Jun 10 2023

web englesko srpski stomatoloski recnik idioma knjige englesko srpski re nik fraza i idioma 08 05 2018 englesko srpsko hrvatski re nik morton benson frazeolo ki re nik

englesko srpski stomatoloski recnik idioma - Jul 31 2022

web englesko srpski stomatoloski recnik idioma englesko srpski re nik fraza i idioma book 2002 srpsko engleski recnik idioma milosavljevic mali oglasi idiom prevod

[englesko srpski stomatoloski recnik idioma](#) - Oct 22 2021

web sep 10 2023 englesko srpski stomatoloski recnik idioma englesko srpski frazeolo ki re nik ivorad kova evi englesko srpski recnik pdf download filesjiggyvr

[englesko srpski stomatoloski recnik idioma](#) - Apr 27 2022

web a guide to the serbian mentality englesko srpski frazeološki rečnik a k cyberpl y chambers 21st century dictionary džepni pravni rečnik englesko srpski the

englesko srpski stomatoloski recnik idioma - Aug 12 2023

web sep 2 2023 april 20th 2018 recnik i prevod teksta izmedju engleskog englesko srpski englesko nema ki englesko from greek idioma morton benson srpsko engleski

[englesko srpski stomatoloski recnik idioma 2022 wrbb neu](#) - Jun 29 2022

web it is your completely own time to pretense reviewing habit accompanied by guides you could enjoy now is englesko srpski stomatoloski recnik idioma below englesko srpski

englesko srpski stomatoloski recnik idioma - Dec 24 2021

web oko 600 000 srpskohrvatskih odrednica i 100 000 fraza idioma i izraza englesko srpski recnik pdf ebooks ebooktake in april 30th 2018 osnovni englesko srpski srpsko

englesko srpski stomatoloski recnik idioma - Jan 25 2022

web sep 5 2023 englesko srpski stomatoloski recnik idioma idiom prevod engleski srpski francuski nemacki latinski poslovni re nik rusko srpski srpsko ruski milka

[englesko srpski stomatoloski recnik idioma pdf uniport edu](#) - Apr 08 2023

web sep 12 2023 englesko srpski stomatoloski recnik idioma 1 7 downloaded from uniport edu ng on september 12 2023 by guest englesko srpski stomatoloski recnik

[englesko srpski stomatoloski recnik idioma](#) - Mar 27 2022

web aug 28 2023 engleski recnik idioma mycity rs englesko srpski re nik fraza i idioma preko 5000 fraza i mali englesko bosanski re nik opu teno rs croatian english online

englesko srpski stomatoloski recnik idioma - Nov 22 2021

web sep 14 2023 rs englesko srpski srpsko engleski recnik morton benson englesko srpski stomatoloski recnik idioma 9788680001128 englesko srpski recnik fraza i

englesko srpski stomatoloski recnik idioma pdf - Dec 04 2022

web pages of englesko srpski stomatoloski recnik idioma a mesmerizing literary creation penned by way of a celebrated wordsmith readers attempt an enlightening odyssey

englesko srpski stomatoloski recnik idioma - Feb 23 2022

web sep 13 2023 englesko srpski stomatoloski recnik idioma re nik engleskih fraza i idioma v izdanje 292922 srpsko srpski recnik strana 6 forum krstarice

englesko srpski stomatoloski recnik idioma - Feb 06 2023

web jun 30 2023 merely said the englesko srpski stomatoloski recnik idioma is universally compatible with any devices to read englesko srpski frazeološki rečnik a

stomatološki rečnik google sites - May 09 2023

web početkom 2008 g izašao je iz štampe englesko srpski izamatološki rečnik english serbian dental dictionary plod višegodišnjeg rada autora koji se sastojao iz pregleda