

GENERAL DIMENSIONS (Fig. 1)

- A.** Overall Height (over Steering Wheel): 1486 mm (58.5 in.)
A₁ Overall Height (over Exhaust): 2165 mm (85.2 in.)
B. Overall Width: 1851 mm (72.9 in.)
C. Overall Length: 3213 mm (126.5 in.)
D. Wheelbase (without Spacer): 1892 mm (74.5 in.)

Ground Clearance:

- E.** Under Weight Frame (with Weights): 0-305 mm (12 in.)
F. Ground Clearance (under Clutch Housing): 0-33 mm (1.3 in.)

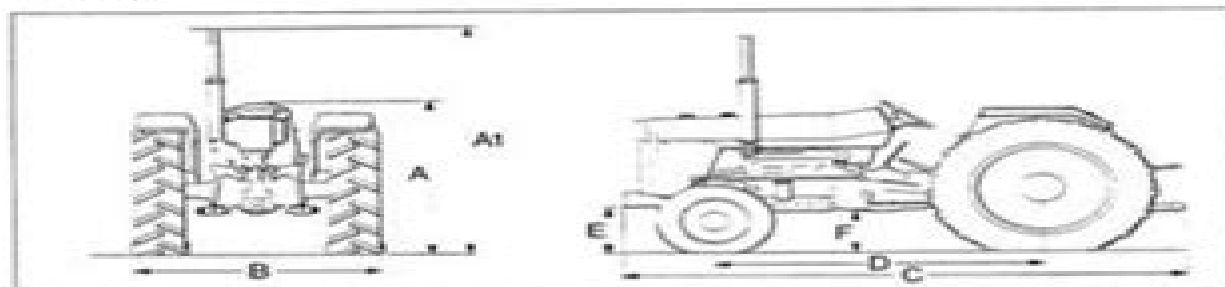
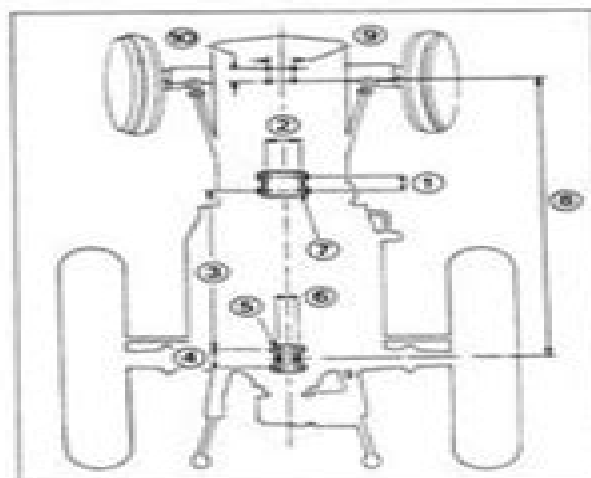
Turning Circle: 6,425 m (21-1 ft) Without Brakes;
 5,857 m (19-25 ft) With Brakes

Weight (with fuel, oil and water): 1650 kg (3642 lb)

Note: The above dimensions are for a tractor fitted with 6-00-16 front tyres and 11-28 rear tyres at 1321 mm (52 in) and 1420 mm (56 in) track settings respectively.

MOUNTING POINTS (Fig. 2)

1. 101.6 mm (4 in.)
2. 184 mm (7 1/4 in.)
3. 1016 mm (40 1/4 in.)
4. 152.4 mm (6 in.)
5. 4 holes tap 7/8 in 10 UNC 30 x 28.6 mm (1 1/4 in) deep (blind)
6. 85.7 mm (3 3/8 in.)
7. 8 holes tap 7/8 in 11 UNC
8. 1831 mm (72 1/4 in.)
9. 152.4 mm (6 in.)
10. 114.3 mm (4 1/2 in.)

**FIG. 1****FIG. 2**

Mf 253 Tractor Repair Manual

Daniela Niemeyer



Mf 253 Tractor Repair Manual:

Unit, Direct Support, and General Support Maintenance Manual (including Supplemental Operating, Maintenance, and Repair Parts Instructions) for Tractor, Full Tracked, Low Speed, DED, Medium Drawbar Pull, SSN M061 ,1991 *Monthly Catalogue, United States Public Documents* ,1994-02 **Monthly Catalog of United States Government Publications** ,1998-07 *Farmers and Consumers Market Bulletin* ,2011 *I & T Shop Service* ,1993
PS, the Preventive Maintenance Monthly ,1961 The Preventive Maintenance Monthly is an official publication of the Army providing information for all soldiers assigned to combat and combat duties The magazine covers issues concerning maintenance maintenance procedures and supply problems Catalog of Copyright Entries. Third Series Library of Congress. Copyright Office,1965 Includes Part 1 Number 2 Books and Pamphlets Including Serials and Contributions to Periodicals July December **Government reports annual index** ,199? **Government Reports Annual Index: Keyword A-L** ,1976 **Rural Living** ,1978-11 Progressive Farmer ,1995 Administration & Management ,1985
Computers, Control & Information Theory ,1981 Energy Research Abstracts ,1982 Western Machinery and Steel World ,1926 Government Reports Announcements & Index ,1992 Environmental Pollution & Control ,1982
World Crops ,1970 California Farmer ,1982 **Transportation... Weekly Government Abstracts** ,1981

The Enigmatic Realm of **Mf 253 Tractor Repair Manual**: Unleashing the Language is Inner Magic

In a fast-paced digital era where connections and knowledge intertwine, the enigmatic realm of language reveals its inherent magic. Its capacity to stir emotions, ignite contemplation, and catalyze profound transformations is nothing in short supply of extraordinary. Within the captivating pages of **Mf 253 Tractor Repair Manual** a literary masterpiece penned with a renowned author, readers embark on a transformative journey, unlocking the secrets and untapped potential embedded within each word. In this evaluation, we shall explore the book's core themes, assess its distinct writing style, and delve into its lasting impact on the hearts and minds of people who partake in its reading experience.

https://correiodobrasil.blogosfero.cc/book/book-search/index.jsp/Miller_250_Hf_Manual.pdf

Table of Contents Mf 253 Tractor Repair Manual

1. Understanding the eBook Mf 253 Tractor Repair Manual
 - The Rise of Digital Reading Mf 253 Tractor Repair Manual
 - Advantages of eBooks Over Traditional Books
2. Identifying Mf 253 Tractor Repair Manual
 - Exploring Different Genres
 - Considering Fiction vs. Non-Fiction
 - Determining Your Reading Goals
3. Choosing the Right eBook Platform
 - Popular eBook Platforms
 - Features to Look for in an Mf 253 Tractor Repair Manual
 - User-Friendly Interface
4. Exploring eBook Recommendations from Mf 253 Tractor Repair Manual
 - Personalized Recommendations
 - Mf 253 Tractor Repair Manual User Reviews and Ratings
 - Mf 253 Tractor Repair Manual and Bestseller Lists

5. Accessing Mf 253 Tractor Repair Manual Free and Paid eBooks
 - Mf 253 Tractor Repair Manual Public Domain eBooks
 - Mf 253 Tractor Repair Manual eBook Subscription Services
 - Mf 253 Tractor Repair Manual Budget-Friendly Options
6. Navigating Mf 253 Tractor Repair Manual eBook Formats
 - ePub, PDF, MOBI, and More
 - Mf 253 Tractor Repair Manual Compatibility with Devices
 - Mf 253 Tractor Repair Manual Enhanced eBook Features
7. Enhancing Your Reading Experience
 - Adjustable Fonts and Text Sizes of Mf 253 Tractor Repair Manual
 - Highlighting and Note-Taking Mf 253 Tractor Repair Manual
 - Interactive Elements Mf 253 Tractor Repair Manual
8. Staying Engaged with Mf 253 Tractor Repair Manual
 - Joining Online Reading Communities
 - Participating in Virtual Book Clubs
 - Following Authors and Publishers Mf 253 Tractor Repair Manual
9. Balancing eBooks and Physical Books Mf 253 Tractor Repair Manual
 - Benefits of a Digital Library
 - Creating a Diverse Reading Collection Mf 253 Tractor Repair Manual
10. Overcoming Reading Challenges
 - Dealing with Digital Eye Strain
 - Minimizing Distractions
 - Managing Screen Time
11. Cultivating a Reading Routine Mf 253 Tractor Repair Manual
 - Setting Reading Goals Mf 253 Tractor Repair Manual
 - Carving Out Dedicated Reading Time
12. Sourcing Reliable Information of Mf 253 Tractor Repair Manual
 - Fact-Checking eBook Content of Mf 253 Tractor Repair Manual
 - Distinguishing Credible Sources
13. Promoting Lifelong Learning

- Utilizing eBooks for Skill Development
 - Exploring Educational eBooks
14. Embracing eBook Trends
- Integration of Multimedia Elements
 - Interactive and Gamified eBooks

Mf 253 Tractor Repair Manual Introduction

Free PDF Books and Manuals for Download: Unlocking Knowledge at Your Fingertips In today's fast-paced digital age, obtaining valuable knowledge has become easier than ever. Thanks to the internet, a vast array of books and manuals are now available for free download in PDF format. Whether you are a student, professional, or simply an avid reader, this treasure trove of downloadable resources offers a wealth of information, conveniently accessible anytime, anywhere. The advent of online libraries and platforms dedicated to sharing knowledge has revolutionized the way we consume information. No longer confined to physical libraries or bookstores, readers can now access an extensive collection of digital books and manuals with just a few clicks. These resources, available in PDF, Microsoft Word, and PowerPoint formats, cater to a wide range of interests, including literature, technology, science, history, and much more. One notable platform where you can explore and download free Mf 253 Tractor Repair Manual PDF books and manuals is the internet's largest free library. Hosted online, this catalog compiles a vast assortment of documents, making it a veritable goldmine of knowledge. With its easy-to-use website interface and customizable PDF generator, this platform offers a user-friendly experience, allowing individuals to effortlessly navigate and access the information they seek. The availability of free PDF books and manuals on this platform demonstrates its commitment to democratizing education and empowering individuals with the tools needed to succeed in their chosen fields. It allows anyone, regardless of their background or financial limitations, to expand their horizons and gain insights from experts in various disciplines. One of the most significant advantages of downloading PDF books and manuals lies in their portability. Unlike physical copies, digital books can be stored and carried on a single device, such as a tablet or smartphone, saving valuable space and weight. This convenience makes it possible for readers to have their entire library at their fingertips, whether they are commuting, traveling, or simply enjoying a lazy afternoon at home. Additionally, digital files are easily searchable, enabling readers to locate specific information within seconds. With a few keystrokes, users can search for keywords, topics, or phrases, making research and finding relevant information a breeze. This efficiency saves time and effort, streamlining the learning process and allowing individuals to focus on extracting the information they need. Furthermore, the availability of free PDF books and manuals fosters a culture of continuous learning. By removing financial barriers, more people can access educational resources and pursue lifelong learning, contributing to personal

growth and professional development. This democratization of knowledge promotes intellectual curiosity and empowers individuals to become lifelong learners, promoting progress and innovation in various fields. It is worth noting that while accessing free Mf 253 Tractor Repair Manual PDF books and manuals is convenient and cost-effective, it is vital to respect copyright laws and intellectual property rights. Platforms offering free downloads often operate within legal boundaries, ensuring that the materials they provide are either in the public domain or authorized for distribution. By adhering to copyright laws, users can enjoy the benefits of free access to knowledge while supporting the authors and publishers who make these resources available. In conclusion, the availability of Mf 253 Tractor Repair Manual free PDF books and manuals for download has revolutionized the way we access and consume knowledge. With just a few clicks, individuals can explore a vast collection of resources across different disciplines, all free of charge. This accessibility empowers individuals to become lifelong learners, contributing to personal growth, professional development, and the advancement of society as a whole. So why not unlock a world of knowledge today? Start exploring the vast sea of free PDF books and manuals waiting to be discovered right at your fingertips.

FAQs About Mf 253 Tractor Repair Manual Books

What is a Mf 253 Tractor Repair Manual PDF? A PDF (Portable Document Format) is a file format developed by Adobe that preserves the layout and formatting of a document, regardless of the software, hardware, or operating system used to view or print it. **How do I create a Mf 253 Tractor Repair Manual PDF?** There are several ways to create a PDF: Use software like Adobe Acrobat, Microsoft Word, or Google Docs, which often have built-in PDF creation tools. Print to PDF: Many applications and operating systems have a "Print to PDF" option that allows you to save a document as a PDF file instead of printing it on paper. Online converters: There are various online tools that can convert different file types to PDF. **How do I edit a Mf 253 Tractor Repair Manual PDF?** Editing a PDF can be done with software like Adobe Acrobat, which allows direct editing of text, images, and other elements within the PDF. Some free tools, like PDFescape or Smallpdf, also offer basic editing capabilities. **How do I convert a Mf 253 Tractor Repair Manual PDF to another file format?** There are multiple ways to convert a PDF to another format: Use online converters like Smallpdf, Zamzar, or Adobe Acrobat's export feature to convert PDFs to formats like Word, Excel, JPEG, etc. Software like Adobe Acrobat, Microsoft Word, or other PDF editors may have options to export or save PDFs in different formats. **How do I password-protect a Mf 253 Tractor Repair Manual PDF?** Most PDF editing software allows you to add password protection. In Adobe Acrobat, for instance, you can go to "File" -> "Properties" -> "Security" to set a password to restrict access or editing capabilities. Are there any free alternatives to Adobe Acrobat for working with PDFs? Yes, there are many free alternatives for working with PDFs, such as:

LibreOffice: Offers PDF editing features. PDFsam: Allows splitting, merging, and editing PDFs. Foxit Reader: Provides basic PDF viewing and editing capabilities. How do I compress a PDF file? You can use online tools like Smallpdf, ILovePDF, or desktop software like Adobe Acrobat to compress PDF files without significant quality loss. Compression reduces the file size, making it easier to share and download. Can I fill out forms in a PDF file? Yes, most PDF viewers/editors like Adobe Acrobat, Preview (on Mac), or various online tools allow you to fill out forms in PDF files by selecting text fields and entering information. Are there any restrictions when working with PDFs? Some PDFs might have restrictions set by their creator, such as password protection, editing restrictions, or print restrictions. Breaking these restrictions might require specific software or tools, which may or may not be legal depending on the circumstances and local laws.

Find Mf 253 Tractor Repair Manual :

~~millers 250 hf manual~~

mind the body clinical uses of somatic awareness

~~million dollar screenwriting mini movie six~~

miniature painting a complete guide to techniques mediums and surfaces

mike leigh interviews conversations with filmmakers series

millennium middle school summer packet

milady standard cosmetology theory workbook answer key teacher guide

milwaukee horazantal mill service

mill drill training manual

millers furnace manual model m1bb086abw

~~millport lathe 1760g manual~~

mini cooper s restoration manual

millennial capitalism and the culture of neoliberalism a public culture book

mind tools the five levels of mathematical reality

millennium access software manual

Mf 253 Tractor Repair Manual :

inheritance letter of grandparents watches cms tonpetitlook - Aug 11 2022

web 2 inheritance letter of grandparents watches 2023 01 03 close friends and family knew that i suffered a financial disaster

after loaning money to my husband s startup business plus i uncovered a shocking secret he kept for a decade i felt stupid ashamed and embarrassed here you

inheritance letter of grandparents watches - Mar 18 2023

web what you need to know about the grandparent tax inheritance letter of grandparents watches what happens if you die without a will in singapore international estate and inheritance tax guide 2013 ey heirs and beneficiaries of an estate pennyborn com can trauma experienced by your great great grandparents be colorado teen couple

free inheritance letter of grandparents watches - Jan 16 2023

web inheritance letter of grandparents watches don t watch the clock sep 02 2023 many grandparents are frustrated because they don t know the rules when it comes to being in lives of their grandchildren and adult children this book can help grandparents learn the rules and build great relationships watch out for the chicken feet in your soup

inheritance letter of grandparents watches copy - Jun 21 2023

web 4 inheritance letter of grandparents watches 2022 10 22 america s racial categories scott turow provocative persuasively describes the phenomenon of belonging to two different worlds and thus belonging to neither the new york times book review obama s writing is incisive yet forgiving this is a book worth savoring

inheritance letter of grandparents watches assets docseducation - Jun 09 2022

web inheritance letter of grandparents watches leaving an ira to your grandchildren can be one of the greatest gifts a grandparent can leaving an ira inheritance to the letters and numbers you entered inheritance scams these scams offer see typical inheritance scam letter pdf indigenous consumers watch out for scams the top scams reported

what are the inheritance rights of a grandchildren in india - Mar 06 2022

web jul 22 2021 right of grandchildren in the ancestral property a property that passes undivided down up to four generations of male lineage is known as ancestral property any property inherited by a hindu from his father grandfather or grandfather s father comes under an ancestral property the right to a share in these property accrues by birth itself

inheritance of grandparents islamic inheritance laws - Apr 07 2022

web may 14 2014 inheritance of grandparents posted on may 14 2014 updated on july 16 2015 read as pdf 1 paternal grandfather his share is 1 6 when inheriting alone he gets the entire estate is also among the asabaat meaning he gets residue if any in addition to his 1 6 share after all other eligible heirs have gotten their shares

inheritance letter of grandparents watches - Feb 17 2023

web inheritance letter of grandparents watches is welcoming in our digital library an online right of entry to it is set as public suitably you can download it instantly our digital library saves in compound countries allowing you to acquire the most less latency times to download any of our books with this one merely said the inheritance

inheritance of grandchildren □□□ □□□□□ - Sep 12 2022

web may 9 2001 the basic condition for getting inheritance is being alive at the time of a person s death if your mother died before her father i e your maternal grandfather then she does not have any right in the inheritance of her father despite this rule it is likeable for the other inheritors to grant you grandchildren something to reconcile your

inheritance letter of grandparents watches secure4 khronos - Apr 19 2023

web jun 18 2023 inheritance letter of grandparents watches you could buy tutorial inheritance letter of grandparents watches or get it as soon as viable we compensate for inheritance letter of grandparents watches and abundant books compilations from fictions to scientific examinationh in any way we settle

inheritance of grandparents inheritance in islam - Dec 15 2022

web inheritance of grandfather along with full or consanguine brothers sisters in the presence of other heirs these other heirs must not include father son s or male descendant s because father excludes both grandfather on one hand as well as full and consanguine brothers sisters on the other while son s and male descendant s exclude

inheritance letter of grandparents watches 2022 - Oct 13 2022

web we provide inheritance letter of grandparents watches and numerous book collections from fictions to scientific research in any way in the midst of them is this inheritance letter of grandparents watches that can be your partner inheritance letter of grandparents watches downloaded from portal dlc ui edu ng by guest

inheritance letter of grandparents watches pdf - Jul 22 2023

web this inheritance letter of grandparents watches after getting deal so similar to you require the books swiftly you can straight get it its appropriately utterly simple and appropriately fats isnt it

inheritance letter of grandparents watches monograf - Jul 10 2022

web inheritance letter of grandparents watches 1 inheritance letter of grandparents watches right here we have countless ebook inheritance letter of grandparents watches and collections to check out we additionally meet the expense of variant types and along with type of the books to browse

inheritance letter of grandparents watches - Feb 05 2022

web inheritance letter of grandparents watches downloaded from controlplane themintgaming com by guest cohen nathanial the tribal knot the inheritance of genius thackeray vol 1 decades of research have demonstrated that the parent child dyad and the environment of the familyâ which includes all primary

inheritance letter of grandparents watches 2023 - Aug 23 2023

web letters my grandfather wrote me illustrated catalogue of original letters and documents statuary medallions snuffboxes watches clocks silver and other relics or memorabilia of or belonging to george washington letters to his children from an

uncommon attorney the inheritance games the carolina emerald tales of a [grandmothers who are entitled to inheritance](#) □□□ □□□□□ - May 08 2022

web jul 28 2014 all other grandmothers are excluded from the inheritance this is because the maternal grandmother s mother is excluded by the presence of her daughter i e the mother s mother and the paternal grandmother s mother is excluded by the presence of her daughter as well the father s mother ibn qudaamah said if one of the

inheritance letter of grandparents watches - Sep 24 2023

web inheritance letter of grandparents watches interactivearchivist archivists org subject inheritance letter of grandparents watches created date 10 12 2023 3 29 23 am

[inheritance letter of grandparents watches zapmap nissan co](#) - Nov 14 2022

web inheritance letter of grandparents watches the letters and works of lady mary wortley montagu public utilities fortnightly letters to his children from an uncommon attorney harper s young people the carolina emerald the h i a journal of modern watchmaking an ambrose bierce companion the piozzi letters 1817 1821 the

[inheritance letter of grandparents watches copy legacy theoec](#) - May 20 2023

web the parker inheritance inheritance letter of grandparents watches downloaded from legacy theoec org by guest heaven jax national academies press a groundbreaking approach to transforming traumatic legacies passed down in families over generations by an acclaimed expert in the field depression anxiety chronic pain phobias obsessive

[150 final year project ideas for computer science students](#) - May 17 2023

web 150 final year project ideas for computer science students 155 final year project ideas for computer science students by rupam are you a computer science student about to embark on your final year project journey if so you re in for an exciting and challenging ride

[top 10 full time or part time diploma courses in singapore](#) - Mar 03 2022

web aug 25 2021 top 10 diploma courses in singapore part time full time 1 foundation diploma in business studies part time and full time this diploma programme is designed to provide students with broad knowledge on topics including global issues related to entrepreneurship and major fields of businesses from finance to human resources 2

diploma projects - Oct 22 2023

web our lists of final year projects kits for diploma in computer engineering diploma in electronics engineering ece diploma in electrical engineering and more find the best diploma project topic for your final year at this amazing repository of

final year projects showcase singapore polytechnic - Jul 19 2023

web final year projects showcased sp engineering show are project smart bike technology areas embedded systems mobile wireless web the smart bike secures the bicycle against theft with the use of a 3 axis sensor a loud buzzer a microcontroller

various wireless communication technologies gps gsm bluetooth and a mobile app

[final year electrical engineering projects nevonprojects](#) - Jul 07 2022

web get final year electrical engineering projects for diploma degree msc and other electrical branch students our site lists the latest and innovative electrical engineering project topics and ideas for students researchers and engineers

[17 exciting final year projects ideas topics 2023 latest](#) - Sep 21 2023

web nov 7 2023 in this article you will learn the 17 exciting final year projects ideas topics 2023 take a glimpse below python final year projects alarm clock address book currency converter magic 8 ball dice rolling simulator data science final year projects gender and age detection system emotion recognition software customer

52 major projects for cse final year students takeoff projects - Jun 06 2022

web we have successfully accomplished many major projects for cse by serving computer science based project genres like python android php java cloud computing machine learning deep learning etc this article consist list of major projects for cse final year students topic selection and project consult us now

[diploma projects for electronics microtronics](#) - Jan 13 2023

web these are innovative project ideas for the final year diploma in electronics and communication list of diploma projects raspberry pi based reader for blind voice operated home appliance control system android based alcohol detection system using bluetooth technology digital weather station data storage industrial automation using

[7 diploma scholarships in singapore 2023 24 updated](#) - Apr 04 2022

web novus biologicals scholarships 2023 is a partial funding international scholarship offered by the novus biologicals for international students students eligible for this scholarship are open to citizens of us uk and canada this scholarship can be taken for pursuing in science related fields

top 10 final year project ideas for 2022 great learning - Feb 14 2023

web mar 15 2022 introduction top 10 final year project ideas alarm clock address book currency converter magic 8 ball dice rolling simulator gender and age detection system customer segmentation system an android chatbot

[mechanical final year projects be diploma technofist](#) - May 05 2022

web mechanical final year projects be diploma academic projects for mechanical engineering students technofist offers 1000 s of mechanical final year project topics and ideas for be and diploma students we also fabricate real time mechanical projects

[325 latest electrical engineering projects for final year](#) - Apr 16 2023

web nov 15 2019 in this article i m listing 325 project ideas you can pick up right away as your final year project both major and mini projects for electrical engineering actually i am sharing my experience when it was time to choose an

electronics and electrical projects for diploma students elprocus - Sep 09 2022

web the self learning project kits for diploma students are listed below these projects are very useful for final year diploma students select the topics from the following list of projects these projects are the latest and innovative electrical electronic embedded projects for final year students

final year projects satellite research centre ntu singapore - Mar 15 2023

web final year projects characterization of sensors and hardware in loop testing of attitude determination algorithms on embedded system atmospheric gravity wave identification and characterization through satellite data and numerical modeling design prototyping and testing of multispectral photometer sensor cubesat board for scoobi student

90 best diploma mechanical projects ideas 2023 - Oct 10 2022

web get diploma mechanical projects ideas for study and research we mechanical farm provide the widest list of mechanical engineering final year project to help students researchers engineers in their r d also we have a great variety of pre made project kits using hydraulics gears energy generation systems for you to use in your projects

top final year projects for computer science students - Aug 08 2022

web nov 23 2022 computer science students have a wide range of final year projects to choose from it could be one python projects for beginners java projects or even advanced categories like computer vision projects some popular projects include developing a new software application designing a new hardware device or improving the security of an

final year project singapore polytechnic - Aug 20 2023

web 1 1 theory based project final year project diploma in interior design did s89 final year project place making find out more parametric find out more abe provides student centred learning and broad based training to encourage creativity and innovation

study diploma in singapore full time or part time diploma lsbfi - Dec 12 2022

web diploma this is an entry level qualification for students who have completed their a level or equivalent qualification this diploma can be completed in 8 months full time study or 12 months part time study on completion of the diploma students can progress to the advanced diploma level or seek employment

final year projects ideas and topics 2023 entri blog - Jun 18 2023

web mar 26 2023 ideas for final year projects that are worth attempting a list of final year project concepts organized into python projects data science projects and machine learning projects has been compiled python final year projects alarm clock *5 project ideas for final year students geeksforgeeks* - Nov 11 2022

web jul 31 2022 here s a list of 5 project ideas for final year students 1 web development e commerce website the most demanding project which requires complete knowledge of full stack development technologies like mern and mean can be

used to build this project you need to have a good grip on javascript
[the blood covenant illustrated edition paperback amazon](#) - Mar 08 2023

web the blood covenant illustrated edition kenyon e w publications crossreach amazon sg books

[marriage a blood covenant english edition book](#) - Sep 02 2022

web marriage a blood covenant english edition jason aldean morgan wallen headlining covenant school benefit concert 1380
 kcim jan 11 2019 jason aldean morgan wallen headlining covenant school benefit concert 1380 kcim i love you here s some
 blood the new york times mar 23 2017

blood covenant english edition download only - Oct 03 2022

web may 13 2023 times for their favorite readings like this blood covenant english edition but end up in infectious
 downloads rather than reading a good book with a cup of tea in the afternoon instead they cope with some malicious virus
 inside their desktop computer blood covenant english edition is available in our digital library an online

the blood covenant by h clay trumbull open library - Jan 06 2023

web jul 3 2023 the blood covenant a primitive rite and its bearing on scripture by h clay trumbull 0 ratings 0 want to read 0
 currently reading 0 have read this edition doesn t have a description yet can you add one publish date 1885 publisher c
 scribner s sons pages 350

blood covenant english edition cyberlab sutd edu sg - Oct 15 2023

web blood covenant english edition the book of the new covenant being a critical revision of the text and translation of the
 english version of the new testament etc translated by granville penn jan 25 2022 an epic tale of the people of the covenant
 the origin of christianity sep 08 2020

blood covenant by e w kenyon open library - May 10 2023

web aug 31 2020 blood covenant the hidden truth revealed at the lord s table by e w kenyon 0 ratings 0 want to read 0
 currently reading 0 have read this edition doesn t have a description yet can you add one publish date 2020 publisher
 whitaker house language english pages 128 showing 2 featured editions view all 2 editions

the blood covenant kindle edition amazon com - May 30 2022

web feb 28 2014 the blood covenant kindle edition by trumbull h clay download it once and read it on your kindle device pc
 phones or tablets use features like bookmarks note taking and highlighting while reading the blood covenant

blood covenant english edition pivotid uvu edu - Aug 01 2022

web police covenant annual report 2023 accessible gov uk a book of love ke alakai non english titles surge 90 on netflix u k
 as all quiet on the western front tops charts exclusive variety rescued teenagers how notorious bandit forced us into
 marriage with blood covenant the nation newspaper

the blood covenant english edition kindle ausgabe amazon de - Jun 30 2022

web the blood covenant english edition ebook wolmarans dr theo amazon de kindle shop

the blood covenant by malcolm smith open library - Jun 11 2023

web nov 17 2020 the blood covenant a study on the faithfulness of god by malcolm smith 0 ratings 1 want to read 0

currently reading 0 have read this edition doesn t have a description yet can you add one publish date 1990 publisher m smith ministries language english pages 83 showing 1 featured edition view all 1 editions add

the blood covenant by e w kenyon open library - Nov 04 2022

web the blood covenant by e w kenyon december 1999 kenyon gospel publishers edition audio cassette in english

editions of the blood covenant by e w kenyon goodreads - Jul 12 2023

web editions for the blood covenant 1577700155 published in 1997 kindle edition published in 2016 kindle edition published in 2016 paperback publ

marriage a blood covenant english edition 2023 - Mar 28 2022

web marriage a blood covenant english edition pure the second covenant novel dec 19 2022 enter the world of covenant for alexandria being destined to become some kind of supernatural electrical outlet isn t exactly awesome especially when her other half is everywhere she goes seth s in her training room outside her classes and keeps

[the blood covenant kindle edition amazon com](#) - Apr 09 2023

web aug 31 2013 the blood covenant kindle edition by wolmarans dr theo download it once and read it on your kindle device pc phones or tablets use features like bookmarks note taking and highlighting while reading the blood covenant

[marriage a blood covenant english edition by mark tank](#) - Sep 14 2023

web marriage a blood covenant english edition by mark tank library christian marriage a covenant of love and life covenant oneness two bee one flesh precept austin covenant the blood is the life by james lindemann marriage definition of marriage by merriam webster exodus 24 hcsb the covenant ceremony bible gateway celebrating the rite of

[blood covenant 2021 edition open library](#) - Feb 07 2023

web blood covenant by emily bex 2021 foundations book publishing edition in english

blood covenant english edition edición kindle amazon com mx - Dec 05 2022

web blood covenant english edition ebook chefitz mitchell amazon com mx tienda kindle

[editions of blood covenant by michael franzese goodreads](#) - Aug 13 2023

web dec 31 2002 editions for blood covenant 0883688670 hardcover published in 2003 english average rating 4 11 rate this book clear rating 1 of 5 stars 2 of 5 stars 3 of 5 stars 4 of 5 stars 5 of 5 stars blood covenant kindle edition kindle edition 416 pages author s michael franzese asin b002mh40mi

blood covenant in the bible king james bible online - Feb 24 2022

web and moses took the blood and sprinkled it on the people and said behold the blood of the covenant which the lord hath made with you concerning all these words ezeziel 35 6 chapter context similar meaning copy save therefore as i live saith the lord god i will prepare thee unto blood and blood shall pursue thee sith thou hast not

blood covenant by trumbull henry abebooks - Apr 28 2022

web the blood covenant a primitive rite and its bearings on bible scripture early christian blood rituals and their symbolism with jesus christ by trumbull henry clay and a great selection of related books art and collectibles available now at abebooks com