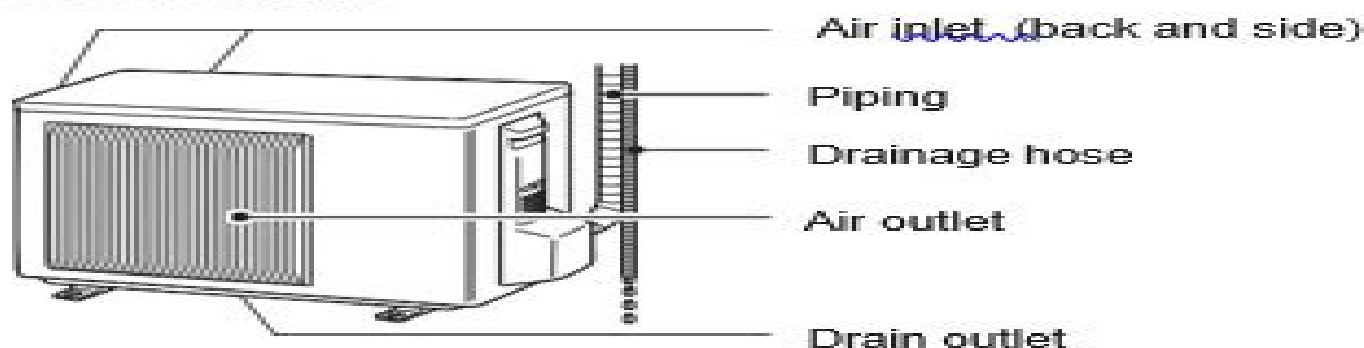


Outdoor unit



Outdoor units may be different in appearance.

Mitsubishi Air Conditioning Units Manual

**United States. Army Air Forces.
Matériel Command**



Mitsubishi Air Conditioning Units Manual:

Federal Register ,2012-03 *Engine Code Manual* Chilton Automotive Books,The Nichols/Chilton,Chilton,1995 The complete manual for understanding engine codes troubleshooting basic maintenance and more Catalog of Aeronautical and Allied Technical Documents United States. Army Air Forces. Matériel Command,1946 **Domestic Microgeneration** Iain Staffell,Daniel J.L. Brett,Nigel P. Brandon,Adam D. Hawkes,2015-06-19 Microgeneration producing energy for the home in the home is a substantial improvement over the current centralised and detached energy model employed the world over Domestic Microgeneration is the first in depth reference work for this exciting and emerging field of energy generation It provides detailed reviews of ten state of the art technologies including solar PV and thermal micro CHP and heat pumps and considers them within the wider context of the home in which they are installed and the way that they are operated Alongside the many successes this book highlights the common pitfalls that beset the industry It offers best practice guidance on how they can be avoided by considering the complex linkages between technology user installer and government This interdisciplinary work draws together the social economic political and environmental aspects of this very diverse energy genre into a single must have reference for academics and students of sustainability and energy related subjects industry professionals policy makers and the growing number of energy literate householders who are looking for ways to minimise their environmental footprint and their energy bills with microgeneration **Temperature and Humidity Independent Control (THIC) of Air-conditioning System** Xiaohua Liu,Yi Jiang,Tao Zhang,2014-01-16 Temperature and Humidity Independent Control THIC of Air conditioning System focuses on temperature and humidity independent control THIC systems which represents a new concept and new approach for indoor environmental control This book presents the main components of the THIC systems including dehumidification devices high temperature cooling devices and indoor terminal devices Other relevant issues such as operation and control strategy and case studies are also included This book is intended for air conditioning system designers and engineers as well as researchers working with indoor environments Xiaohua Liu is an associate professor at the Building Energy Research Center Tsinghua University China Yi Jiang is a member of the Chinese Academy of Engineering the director of the Building Energy Research Center Tsinghua University China and the director of the China USA Joint Research Center on Clean Energy Tao Zhang is a Ph D candidate at the Building Energy Research Center Tsinghua University China *Autocar* ,2004 Official Gazette of the United States Patent and Trademark Office United States. Patent and Trademark Office,2002 Catalog of Copyright Entries. Third Series Library of Congress. Copyright Office,1978 **Code of Federal Regulations** ,2010 Special edition of the Federal Register containing a codification of documents of general applicability and future effect with ancillaries **Code of Federal Regulations, Title 14, Aeronautics and Space** ,2011-04-27 **Code of Federal Regulations, Title 14, Aeronautics and Space, PT. 60-109, Revised as of January 1, 2010** Office of the Federal Register (U S),2010-05 The Code of Federal

Regulations is a codification of the general and permanent rules published in the Federal Register by the Executive departments and agencies of the United States Federal Government

Popular Mechanics ,1986-08 Popular Mechanics inspires instructs and influences readers to help them master the modern world Whether it s practical DIY home improvement tips gadgets and digital technology information on the newest cars or the latest breakthroughs in science PM is the ultimate guide to our high tech lifestyle

American Light Trucks and Utility Vehicles, 1967-1989 J. “Kelly” Flory, Jr.,2019-10-31 The truck s role in American society changed dramatically from the 1960s through the 1980s with the rise of off roaders the van craze of the 1970s and minivan revolution of the 1980s the popularization of the SUV as family car and the diversification of the pickup truck into multiple forms and sizes This comprehensive reference book follows the form of the author s popular volumes on American cars For each year it provides an industry overview and for each manufacturer an update on new models and other news followed by a wealth of data available powertrains popular options paint colors and more Finally each truck is detailed fully with specifications and measurements prices production figures standard equipment and more

Black Enterprise ,1991-11 BLACK ENTERPRISE is the ultimate source for wealth creation for African American professionals entrepreneurs and corporate executives Every month BLACK ENTERPRISE delivers timely useful information on careers small business and personal finance

Popular Mechanics ,1999-09 Popular Mechanics inspires instructs and influences readers to help them master the modern world Whether it s practical DIY home improvement tips gadgets and digital technology information on the newest cars or the latest breakthroughs in science PM is the ultimate guide to our high tech lifestyle

Subaru Impreza Brian Long,2006 Perceived as a replacement for the long running Leone the Impreza quickly gained a great reputation through Subaru s successful WRC program This book covers the full story of the Impreza from concept through to the current production car looking at the rally machines along the way and illustrated throughout with contemporary material Now with over 400 mainly color pictures and significant additional text this is a fantastic warts and all account of an amazing car

Popular Mechanics ,1992-11 Popular Mechanics inspires instructs and influences readers to help them master the modern world Whether it s practical DIY home improvement tips gadgets and digital technology information on the newest cars or the latest breakthroughs in science PM is the ultimate guide to our high tech lifestyle

Old-House Journal ,2003-07 Old House Journal is the original magazine devoted to restoring and preserving old houses For more than 35 years our mission has been to help old house owners repair restore update and decorate buildings of every age and architectural style Each issue explores hands on restoration techniques practical architectural guidelines historical overviews and homeowner stories all in a trusted authoritative voice

Kiplinger's Personal Finance ,1981-06 The most trustworthy source of information available today on savings and investments taxes money management home ownership and many other personal finance topics

Title 14 Aeronautics and Space Parts 60 to 109 (Revised as of January 1, 2014) Office of The Federal Register, Enhanced by IntraWEB, LLC,2014-01-01 The

Code of Federal Regulations Title 14 contains the codified Federal laws and regulations that are in effect as of the date of the publication pertaining to aeronautics air transportation aviation including large and small aircraft such as commercial airplanes helicopters balloons and gliders and space exploration including areas overseen by the FAA and NASA

Mitsubishi Air Conditioning Units Manual Book Review: Unveiling the Power of Words

In a global driven by information and connectivity, the ability of words has be evident than ever. They have the capability to inspire, provoke, and ignite change. Such could be the essence of the book **Mitsubishi Air Conditioning Units Manual**, a literary masterpiece that delves deep in to the significance of words and their effect on our lives. Written by a renowned author, this captivating work takes readers on a transformative journey, unraveling the secrets and potential behind every word. In this review, we shall explore the book is key themes, examine its writing style, and analyze its overall affect readers.

https://correiodobrasil.blogosfero.cc/results/uploaded-files/index.jsp/monde_atlas_civilisations_reedition_octobre.pdf

Table of Contents Mitsubishi Air Conditioning Units Manual

1. Understanding the eBook Mitsubishi Air Conditioning Units Manual
 - The Rise of Digital Reading Mitsubishi Air Conditioning Units Manual
 - Advantages of eBooks Over Traditional Books
2. Identifying Mitsubishi Air Conditioning Units Manual
 - Exploring Different Genres
 - Considering Fiction vs. Non-Fiction
 - Determining Your Reading Goals
3. Choosing the Right eBook Platform
 - Popular eBook Platforms
 - Features to Look for in an Mitsubishi Air Conditioning Units Manual
 - User-Friendly Interface
4. Exploring eBook Recommendations from Mitsubishi Air Conditioning Units Manual
 - Personalized Recommendations
 - Mitsubishi Air Conditioning Units Manual User Reviews and Ratings
 - Mitsubishi Air Conditioning Units Manual and Bestseller Lists
5. Accessing Mitsubishi Air Conditioning Units Manual Free and Paid eBooks

- Mitsubishi Air Conditioning Units Manual Public Domain eBooks
 - Mitsubishi Air Conditioning Units Manual eBook Subscription Services
 - Mitsubishi Air Conditioning Units Manual Budget-Friendly Options
6. Navigating Mitsubishi Air Conditioning Units Manual eBook Formats
 - ePub, PDF, MOBI, and More
 - Mitsubishi Air Conditioning Units Manual Compatibility with Devices
 - Mitsubishi Air Conditioning Units Manual Enhanced eBook Features
 7. Enhancing Your Reading Experience
 - Adjustable Fonts and Text Sizes of Mitsubishi Air Conditioning Units Manual
 - Highlighting and Note-Taking Mitsubishi Air Conditioning Units Manual
 - Interactive Elements Mitsubishi Air Conditioning Units Manual
 8. Staying Engaged with Mitsubishi Air Conditioning Units Manual
 - Joining Online Reading Communities
 - Participating in Virtual Book Clubs
 - Following Authors and Publishers Mitsubishi Air Conditioning Units Manual
 9. Balancing eBooks and Physical Books Mitsubishi Air Conditioning Units Manual
 - Benefits of a Digital Library
 - Creating a Diverse Reading Collection Mitsubishi Air Conditioning Units Manual
 10. Overcoming Reading Challenges
 - Dealing with Digital Eye Strain
 - Minimizing Distractions
 - Managing Screen Time
 11. Cultivating a Reading Routine Mitsubishi Air Conditioning Units Manual
 - Setting Reading Goals Mitsubishi Air Conditioning Units Manual
 - Carving Out Dedicated Reading Time
 12. Sourcing Reliable Information of Mitsubishi Air Conditioning Units Manual
 - Fact-Checking eBook Content of Mitsubishi Air Conditioning Units Manual
 - Distinguishing Credible Sources
 13. Promoting Lifelong Learning
 - Utilizing eBooks for Skill Development

- Exploring Educational eBooks
14. Embracing eBook Trends
- Integration of Multimedia Elements
 - Interactive and Gamified eBooks

Mitsubishi Air Conditioning Units Manual Introduction

Free PDF Books and Manuals for Download: Unlocking Knowledge at Your Fingertips In today's fast-paced digital age, obtaining valuable knowledge has become easier than ever. Thanks to the internet, a vast array of books and manuals are now available for free download in PDF format. Whether you are a student, professional, or simply an avid reader, this treasure trove of downloadable resources offers a wealth of information, conveniently accessible anytime, anywhere. The advent of online libraries and platforms dedicated to sharing knowledge has revolutionized the way we consume information. No longer confined to physical libraries or bookstores, readers can now access an extensive collection of digital books and manuals with just a few clicks. These resources, available in PDF, Microsoft Word, and PowerPoint formats, cater to a wide range of interests, including literature, technology, science, history, and much more. One notable platform where you can explore and download free Mitsubishi Air Conditioning Units Manual PDF books and manuals is the internet's largest free library. Hosted online, this catalog compiles a vast assortment of documents, making it a veritable goldmine of knowledge. With its easy-to-use website interface and customizable PDF generator, this platform offers a user-friendly experience, allowing individuals to effortlessly navigate and access the information they seek. The availability of free PDF books and manuals on this platform demonstrates its commitment to democratizing education and empowering individuals with the tools needed to succeed in their chosen fields. It allows anyone, regardless of their background or financial limitations, to expand their horizons and gain insights from experts in various disciplines. One of the most significant advantages of downloading PDF books and manuals lies in their portability. Unlike physical copies, digital books can be stored and carried on a single device, such as a tablet or smartphone, saving valuable space and weight. This convenience makes it possible for readers to have their entire library at their fingertips, whether they are commuting, traveling, or simply enjoying a lazy afternoon at home. Additionally, digital files are easily searchable, enabling readers to locate specific information within seconds. With a few keystrokes, users can search for keywords, topics, or phrases, making research and finding relevant information a breeze. This efficiency saves time and effort, streamlining the learning process and allowing individuals to focus on extracting the information they need. Furthermore, the availability of free PDF books and manuals fosters a culture of continuous learning. By removing financial barriers, more people can access educational resources and pursue lifelong learning, contributing to personal growth and professional development. This democratization of knowledge promotes

intellectual curiosity and empowers individuals to become lifelong learners, promoting progress and innovation in various fields. It is worth noting that while accessing free Mitsubishi Air Conditioning Units Manual PDF books and manuals is convenient and cost-effective, it is vital to respect copyright laws and intellectual property rights. Platforms offering free downloads often operate within legal boundaries, ensuring that the materials they provide are either in the public domain or authorized for distribution. By adhering to copyright laws, users can enjoy the benefits of free access to knowledge while supporting the authors and publishers who make these resources available. In conclusion, the availability of Mitsubishi Air Conditioning Units Manual free PDF books and manuals for download has revolutionized the way we access and consume knowledge. With just a few clicks, individuals can explore a vast collection of resources across different disciplines, all free of charge. This accessibility empowers individuals to become lifelong learners, contributing to personal growth, professional development, and the advancement of society as a whole. So why not unlock a world of knowledge today? Start exploring the vast sea of free PDF books and manuals waiting to be discovered right at your fingertips.

FAQs About Mitsubishi Air Conditioning Units Manual Books

What is a Mitsubishi Air Conditioning Units Manual PDF? A PDF (Portable Document Format) is a file format developed by Adobe that preserves the layout and formatting of a document, regardless of the software, hardware, or operating system used to view or print it. **How do I create a Mitsubishi Air Conditioning Units Manual PDF?** There are several ways to create a PDF: Use software like Adobe Acrobat, Microsoft Word, or Google Docs, which often have built-in PDF creation tools. Print to PDF: Many applications and operating systems have a "Print to PDF" option that allows you to save a document as a PDF file instead of printing it on paper. Online converters: There are various online tools that can convert different file types to PDF. **How do I edit a Mitsubishi Air Conditioning Units Manual PDF?** Editing a PDF can be done with software like Adobe Acrobat, which allows direct editing of text, images, and other elements within the PDF. Some free tools, like PDFescape or Smallpdf, also offer basic editing capabilities. **How do I convert a Mitsubishi Air Conditioning Units Manual PDF to another file format?** There are multiple ways to convert a PDF to another format: Use online converters like Smallpdf, Zamzar, or Adobe Acrobats export feature to convert PDFs to formats like Word, Excel, JPEG, etc. Software like Adobe Acrobat, Microsoft Word, or other PDF editors may have options to export or save PDFs in different formats. **How do I password-protect a Mitsubishi Air Conditioning Units Manual PDF?** Most PDF editing software allows you to add password protection. In Adobe Acrobat, for instance, you can go to "File" -> "Properties" -> "Security" to set a password to restrict access or editing capabilities. Are there any free alternatives to Adobe Acrobat for working with PDFs? Yes, there are many free alternatives for working with PDFs, such as: LibreOffice: Offers PDF editing features. PDFsam: Allows splitting,

merging, and editing PDFs. Foxit Reader: Provides basic PDF viewing and editing capabilities. How do I compress a PDF file? You can use online tools like Smallpdf, ILovePDF, or desktop software like Adobe Acrobat to compress PDF files without significant quality loss. Compression reduces the file size, making it easier to share and download. Can I fill out forms in a PDF file? Yes, most PDF viewers/editors like Adobe Acrobat, Preview (on Mac), or various online tools allow you to fill out forms in PDF files by selecting text fields and entering information. Are there any restrictions when working with PDFs? Some PDFs might have restrictions set by their creator, such as password protection, editing restrictions, or print restrictions. Breaking these restrictions might require specific software or tools, which may or may not be legal depending on the circumstances and local laws.

Find Mitsubishi Air Conditioning Units Manual :

monde atlas civilisations reedition octobre

[monkeys and apes coloring book dover nature coloring book](#)

moderne webanwendungen mit aspnet mvc und javascript

[money and manifesting](#)

[momo little devil sammelband 03](#)

[moffett forklift owners manual](#)

money banking and the foreign exchange market in emerging economies

modern greek guide

[monarchische herrschaftsformen vormoderne transkultureller perspektive](#)

molecular imaging fret microscopy and spectroscopy methods in physiology series

[monetary integration in the european union the european union series](#)

monks and mystics chronicles of the medieval church history lives series

monday october 29 1979

modern language review 1914 vol

[molecular genetics of cancer molecular genetics of cancer](#)

Mitsubishi Air Conditioning Units Manual :

the official pokémon website pokemon com - Dec 30 2022

web nov 6 2023 expansion sets and decks theme selection set history of son goku theme selection set history of vegeta

special anniversary box 2021 expansion set
ex crystal guardians preconstructed theme deck box of 8 - Nov 16 2021

ex crystal guardians serebii net pokémon card database - Aug 06 2023

web mar 11 2023 theme decks earth shower green cyclone storm surge the ex crystal guardians set is the fourteenth third generation set this set continued on with the

pokémon tcg sm guardians rising rising steel sun theme - Feb 17 2022

web this website is not produced by endorsed by supported by or affiliated with the pokémon company pokémon nintendo game freak creatures or wizards of the coast card

theme decks sun moon guardians rising pokemon com - Apr 21 2022

web product is brand new factory sealed minor imperfections in shrink wrap and product packaging may occur and does not qualify for a replacement any issues related to

ex crystal guardians earth shower theme deck cardmarket - Mar 01 2023

web the official pokémon website pokemon com pokemon com

ex crystal guardians tcg bulbapedia the - Jul 05 2023

web pokemon card database developed by alan site help the literal and graphical information presented on this site about pokemon including card images and card text pokemon

ex crystal guardians pokemon troll and toad - Oct 28 2022

web ex crystal guardians takes you to distant shores where more new pokemon delta species pokemon ex and pokemon live among astonishing crystals that can change

ex crystal guardians storm surge theme deck pokemon - Jan 31 2023

web aug 30 2006 can someone post me here some contains in new starter decks of crystal guardians are inthere exes thanks a lot ok what s cards are in blastoise

crystal guardians theme decks pokébeach com forums - Nov 28 2022

web geek out and get the best value on pokemon preconstructed theme decks pokemon ex crystal guardians theme deck

[crystal guardians deck pokemoncard](#) - May 03 2023

web products pokémon theme decks ex crystal guardians earth shower theme deck ex crystal guardians earth shower theme deck theme decks report a problem

theme deck tcg bulbapedia the community driven - Apr 02 2023

web theme deck barcode 820650103889 isbn 1933743204 description ex crystal guardians storm surge theme deck pokemon

is a theme deckcard from the

[pokémon pokémon tcg tcg ex ex crystal crystal guardians](#) - Jul 25 2022

web may 2 2016 the sky guardian theme deck from the fates collide expansion of the pokémon trading card game

predominantly focuses on fire type and fairy type

[sky guardian tcg bulbapedia the community driven](#) - May 23 2022

web pokemon crystal guardians price guide tcgplayer the tcgplayer price guide tool shows you the value of a card based on the most reliable pricing information available

[pokemon ex crystal guardians theme deck green cyclone](#) - Sep 26 2022

web 73 celio s network 74 cessation crystal complete pokémon tcg ex crystal guardians card list title ex14 cardlist indd

created date 9 7 2006 1 53 26 pm

[the secrets behind how pokémon cards are made the guardian](#) - Jan 19 2022

web theme deck box description ex crystal guardians preconstructed theme deck box of 8 decks pokemon is a theme deck boxcard from the pokemon sealed product

[storm surge tcg bulbapedia the community driven](#) - Oct 08 2023

web may 14 2022 the storm surge theme deck from the ex crystal guardians expansion of the pokémon trading card game predominantly focuses on water type and

[pokemon ex crystal guardians storm surge theme deck toy](#) - Aug 26 2022

web ex crystal guardians earth shower theme deck ex crystal guardians pokémon the online marketplace where any private and shop can buy and sell magic the

[ex crystal guardians earth shower theme deck cardtrader](#) - Jun 23 2022

web may 5 2017 hidden moon theme deck hurtling across the sky on purple wings lunala leads a fiery crew of pokémon keep your pokémon evolving and bide your time until

let s open ex crystal guardians earth shower - Jun 04 2023

web sep 17 2023 a theme deck previously known as a preconstructed theme deck is a playing deck of pokémon trading card game cards sold pre packaged alongside

[pokemon ex crystal guardians theme deck collector s cache](#) - Oct 16 2021

pokemon crystal guardians price guide tcgplayer - Mar 21 2022

web nov 1 2023 illustrators work is front and centre on pokémon cards but behind the scenes a lot more hard work goes into keeping competitive play balanced work that

green cyclone tcg bulbapedia the community driven - Sep 07 2023

web may 14 2022 the green cyclone theme deck from the ex crystal guardians expansion of the pokémon trading card game predominantly focuses on grass type pokémon

set crystal guardians pkmncards - Dec 18 2021

web store hours due to covid19 we currently do not have set retail store hours please call for our current retail store hours 913 338 2273 thank you

bouldertraining mehr kraft bessere technik amazon ae - Apr 07 2023

web buy bouldertraining mehr kraft bessere technik starker kopf by online on amazon ae at best prices fast and free shipping free returns cash on delivery available on eligible purchase

amazon de kundenrezensionen bouldertraining mehr kraft bessere - Aug 31 2022

web finde hilfreiche kundenrezensionen und rezensionsbewertungen für bouldertraining mehr kraft bessere technik starker kopf auf amazon de lese ehrliche und unvoreingenommene rezensionen von unseren nutzern

bouldertraining die tipps und tricks der profis outdoor - Mar 06 2023

web jan 16 2012 dazu kommt dass hartes bouldern technisch äußerst anspruchsvoll sein kann und man die techniken wie hooks sprünge dynamik am besten an der boulderwand lernt aber auch kraftausdauer trainieren die profis bevorzugt an der wand 4 mal 4 boulderzirkel kreiseln boulder spulen sind dabei die mittel der wahl

bouldertraining mehr kraft bessere technik abebooks - Dec 03 2022

web weil neben starken fingern auch ein ruhiger kopf und gute technik einen erfolgreichen boulderer ausmachen werden diese aspekte ebenfalls behandelt unsicherheit und ineffiziente bewegungsmuster können deshalb mit hilfe des buches genauso überwunden werden wie physische schwachstellen

bouldertraining ralf winkler kletterretter - Jul 10 2023

web als einmal lesen und weglegen lektüre sollte bouldertraining mehr kraft bessere technik starker kopf allerdings nicht angesehen werden das buch ist als trainingsratgeber angelegt auf den jederzeit zurückgegriffen werden kann wenn es darum geht die nächste schwachstelle zu beseitigen oder ein weiteres projekt abzuschließen

boulder training stärker bouldern plus Übungen outdoor - Aug 11 2023

web may 30 2022 zum bouldern braucht man kraft hier erklären wir bouldertraining sowie worauf man achten muss plus die besten boulder Übungen sarah burmester 30 05 2022 foto ralph stöhr in diesem artikel bouldertraining trainingsreize setzen und superkompensation

bouldertraining mehr kraft bessere technik amazon co uk - Feb 05 2023

web buy bouldertraining mehr kraft bessere technik starker kopf by winkler ralf isbn 9781977713285 from amazon s book

store everyday low prices and free delivery on eligible orders

[bouldertraining mehr kraft bessere technik starker kopf by ralf](#) - Mar 26 2022

web neben starken fingern auch ein ruhiger kopf und gute technik einen erfolgreichen boulderer ausmachen werden diese aspekte ebenfalls behandelt unsicherheit und ineffiziente bewegungsmuster können deshalb mit hilfe des buches genauso überwunden may 17th 2020 bouldertraining mehr kraft bessere technik starker kopf winkler

[bouldertraining das workout speziell zum bouldern](#) - Jan 04 2023

web da gibt es die kraft im allgemeinen die fingerkraft im speziellen balance beweglichkeit koordination taktik sturzangst und und und bouldertraining workout für maximale boulderergebnisse wir möchten euch hier einige methoden vorstellen die ihr in euer bouldertraining aufnehmen könnt

bouldertraining mehr kraft bessere technik starker kopf - Sep 12 2023

web bouldertraining ist ein umfassender guide für bessere leistungen beim bouldern bist du seit einigen monaten in der boulderhalle aktiv und willst schnelle fortschritte machen oder trainierst schon seit jahren kommst aber nicht mehr voran können die im buch aufbereiteten informationen dir helfen deine ziele zu erreichen

bouldertraining mehr kraft bessere technik amazon ca - Jul 30 2022

web bouldertraining mehr kraft bessere technik starker kopf winkler ralf 9781977713285 books amazon ca

[bouldertraining 4 maximalkraft durchs bouldern extrem youtube](#) - May 28 2022

web bouldertraining bouldern extreme stark werden boulder workout grundlagen zum kraftaufbau und klettertraining du suchst ein kletter training workout zum

bouldertraining mehr kraft bessere technik amazon singapore - Jun 28 2022

web bouldertraining mehr kraft bessere technik starker kopf german edition winkler ralf amazon sg books

[9781977713285 bouldertraining mehr kraft bessere technik](#) - Nov 02 2022

web bouldertraining mehr kraft bessere technik starker kopf finden sie alle bücher von winkler ralf bei der büchersuchmaschine eurobuch de können sie antiquarische und neubücher vergleichen und sofort zum bestpreis bestellen 9781977713285 bouldertraining ist ein umfassender guide für bessere leistungen

[bouldertraining mehr kraft bessere technik starker kopf by ralf](#) - Apr 26 2022

web jun 8 2023 bouldertraining mehr kraft bessere technik starker kopf photos an bouldertraining mehr kraft bessere technik starker kopf athletiktraining fürs klettern und bouldern über 80 übungen für schulter core hüfte und sprunggelenk kletterretter handcreme für kletterer und bouldere vergleichen bouldertraining mehr kraft bessere technik

[bouldern lernen bouldertraining fürs klettern mit chalkbag und](#) - May 08 2023

web bouldertraining mehr kraft bessere technik starker kopf mit meinem buch bouldern lernen begleite ich dich auf dem weg

zum starken boulderer vom einstieg mit den basics und grundlegenden fragen über die richtige technik bis hin zum professionellen training für körper und geist mit anspruchsvollen Übungen

bouldertraining mehr kraft bessere technik starker kopf - Oct 01 2022

web bouldertraining mehr kraft bessere technik starker kopf finden sie alle bücher von winkler ralf bei der büchersuchmaschine eurobuch com können sie antiquarische und neubücher vergleichen und sofort zum bestpreis bestellen 9781977713285

bouldertraining mehr kraft bessere technik starker kopf - Feb 22 2022

web schneller lesen bouldertraining mehr kraft bessere technik starker kopf warum ist lesen gut bouldertraining mehr kraft bessere tech

bouldertraining grundkurs bouldern - Jun 09 2023

web in bouldertraining mehr kraft bessere technik starker kopf stelle ich dir deshalb drei wege vor um diese zu erkennen und erkläre dir wie du auf basis dieses wissens einen individuellen trainingsplan erstellst der dir zuverlässiger leistungszuwächse verschafft als es bei standardisierten plänen aus dem internet der fall ist

bouldertraining mehr kraft bessere technik starker kopf by ralf - Jan 24 2022

web bouldertraining mehr kraft bessere technik starker kopf by ralf winkler übungen klettern de kraftsteigerung so wirst du beim training schnell stärker bouldertraining das 700 klimmzüge system des boulder ralf

bsbhrm506 assessment 3 v3 0 docx course hero - Dec 07 2022

web assessment task 3 induction project you must manage the induction process and implement improvements to the induction procedure assessment task 4 written

bsbhrm506 assessment 1 pdf recruitment scribd - Mar 10 2023

web there are two outcomes of assessments s satisfactory and ns not satisfactory requires more training and experience once the student has satisfactorily completed

bsbhrm506 manage recruitment selection advise - Feb 26 2022

web bsbhrm506 assignment answers the code for managing recruitment selection and induction processes is a single course unit this course unit deals with the essential

bsbhrm 506 assessment task 2 assessment task 2 prepare - Jun 13 2023

web assessment task 2 prepare human resources requirements briefing reports human resources briefing report grow management consultants 1 introduction human

bsbhrm506 assessment answers from our experts - Jan 28 2022

web bsbhrm506 assessment answers get bsbhrm506 assessment answers service to meet the high expectations of your

professors hire our experts for top quality academic

[bbhhrm506 assessment answers manage recruitment](#) - Sep 04 2022

web doc preview pages identified q as solutions available lloyds international college bsbhrm bsbhrm 506 privatedinosaur481
11 22 2021 view full document students

[bsbhrm506 assessment answers total assignment help](#) - Dec 27 2021

web oct 30 2019 acquire hd quality research work with 100 plagiarism free content assessment task 1 develop recruitment
selection and induction documents project

[how to write your bsbhrm506 assignment answers](#) - Jan 08 2023

web feb 15 2019 bsbhrm506 assessment 1 answers bsbhrm506 assessment 2 answers bsbhrm506 assessment 3 answers
since the 3 assignments we just

about this resource amazon web services - Jun 01 2022

web bsb50215 diploma of business bsbhrm506 manage recruitment selection and induction processes performance
objectives to provide an opportunity to determine future

bsbhrm506 assessment task 2 docx course hero - Mar 30 2022

web nov 2 2018 bsbhrm506 manage recruitment selection advice candidates management assessment answer assessment
task the assessment tasks for

bsbhrm506 sample answer docx do not copy exactly as i - Apr 11 2023

web apr 11 2018 answers should be provided on a separate sheet of paper with the assessment task number clearly
indicated answers must be word processed what do

bsbhrm506a assessment 2 pdf recruitment - Oct 05 2022

web jan 9 2023 bsbhrm506 assessment answers will help you understand some of the managerial things in order to know
the selection and recruitment process of the business

[assessment task 1 bsbhrm506 docx course hero](#) - Aug 03 2022

web oct 29 2019 assessment task 1 develop recruitment selection and induction documents project about your assessments
bsbhrm506 manage recruitment

[training gov au bsbhrm506a manage recruitment](#) - Nov 06 2022

web a range of assessment methods should be used to assess practical skills and knowledge the following examples are
appropriate for this unit assessment of written reports on

[tag bsbhrm506 assessment task 2 answers get 24 7](#) - Nov 25 2021

[bsbhrm506 solved assessment 1 pdf recruitment](#) - Aug 15 2023

web the assessment tasks for bsbhrm506 manage recruitment selection and induction processes are included in this student assessment tasks booklet and outlined in the

bsbhrm506 assessment 2 pdf recruitment - Feb 09 2023

web this part of the assessment requires you to develop a short briefing report for the principal consultant that addresses purpose of the report an analysis of strategic objectives and

bsbhrm506 assessment 2 docx the management - Apr 30 2022

web solutions available australian pacific college human reso 506

bsbhrm506 assessment 3 pdf recruitment employment - May 12 2023

web assessment appeals process bsbhrm506 student assessment pack v2 0 april 2020 page 2 of 11 if you feel that you have been unfairly treated during your assessment and

bsbhrm506 manage recruitment selection and induction - Jul 02 2022

web this final assessment is for the unit bsbhrm506 manage recruitment selection and induction processes release 1 an assessor will review the work you complete and

bsbhrm506 student assessment pdf recruitment human - Jul 14 2023

web the assessment tasks for bsbhrm506 manage recruitment selection and induction processes are included in this student assessment tasks booklet and outlined in the