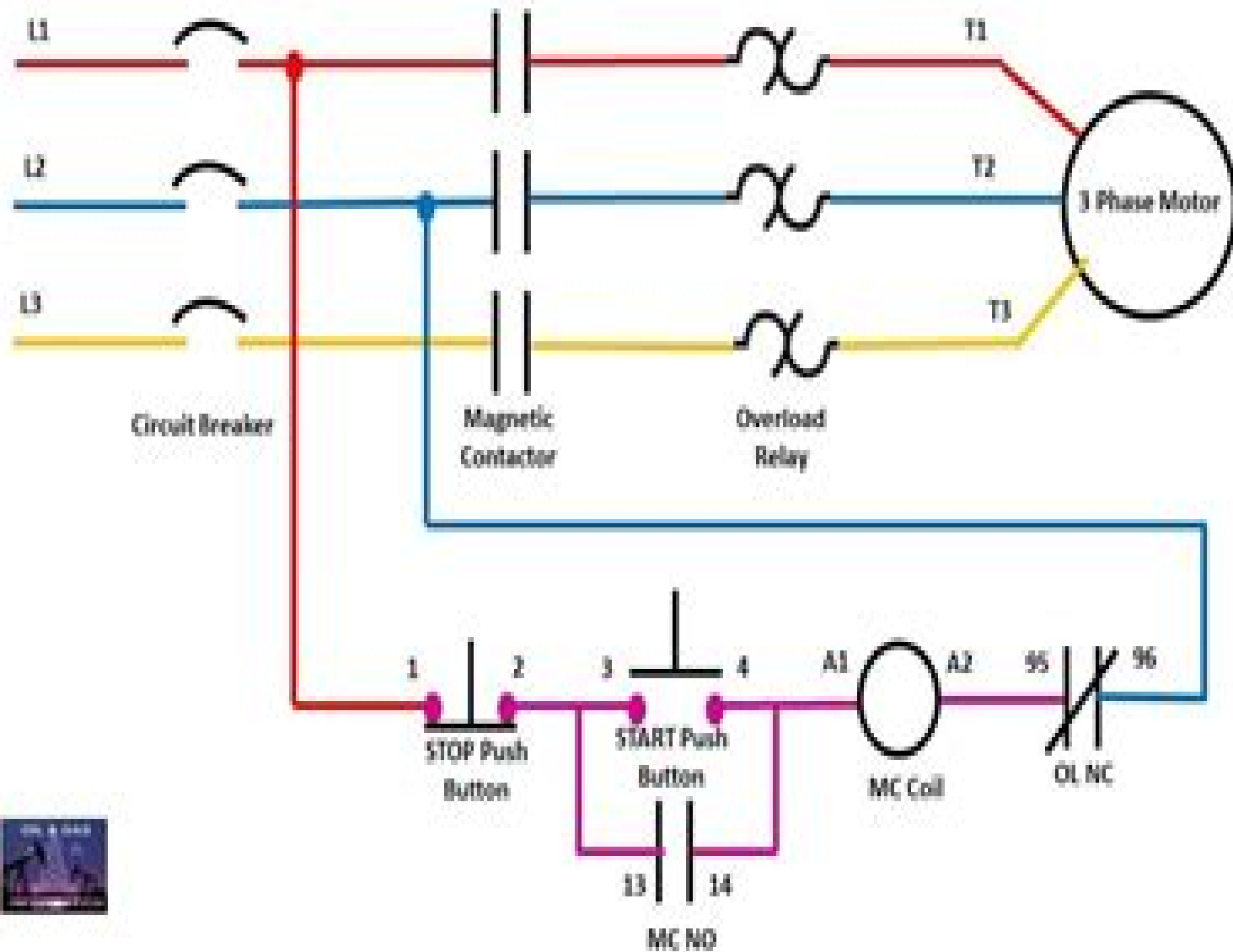


# 3 Phase Motor Control Circuit Diagram

Design By Saqib Khan | Oil and Gas Information



# Motor Control Unit Circuit Diagram

**Joacim Rocklöv**



## **Motor Control Unit Circuit Diagram:**

**Fundamentals of Automotive Technology** CDX Automotive,2013 Fundamentals of Automotive Technology Principles and Practice covers crucial material for career and technical education secondary post secondary and community college students and provides both rationales and step by step instructions for virtually every non diagnosis NATEF task Each section provides a comprehensive overview of a key topic area with real life problem scenarios that encourage students to develop connections between different skill and knowledge components Customer service safety and math science and literary principles are demonstrated throughout the text to build student skill levels Chapters are linked via cross reference tools that support skill retention critical thinking and problem solving Students are regularly reminded that people skills are as important as technical skills in customer service fields **Field and Depot Maintenance Manual** ,1992 *Mechanic Motor Vehicle (Theory) - II* Mr. Rohit Manglik,2024-05-18 EduGorilla Publication is a trusted name in the education sector committed to empowering learners with high quality study materials and resources Specializing in competitive exams and academic support EduGorilla provides comprehensive and well structured content tailored to meet the needs of students across various streams and levels Helena Valley Pumping Plant and Tunnel ,1961 Technical Manual United States. War Department,1945 *The Proceedings of the 17th Annual Conference of China Electrotechnical Society* Qingxin Yang,Jian Li,Kaigui Xie,Jianlin Hu,2023-03-28 This book gathers outstanding papers presented at the 17th Annual Conference of China Electrotechnical Society organized by China Electrotechnical Society CES held in Beijing China from September 17 to 18 2022 It covers topics such as electrical technology power systems electromagnetic emission technology and electrical equipment It introduces the innovative solutions that combine ideas from multiple disciplines The book is very much helpful and useful for the researchers engineers practitioners research students and interested readers Official Gazette of the United States Patent and Trademark Office ,2001 State-of-the-art technology and applications in crop phenomics, volume II Wanneng Yang,John Doonan,Xinyu Guo,Xiaohui Yuan,Feng Ling,2023-06-06 **Planning and Installing Solar Thermal Systems** Deutsche Gesellschaft Fur Sonnenenergie Dgs,2013-09-13 Solar thermal systems available today offer efficiency and reliability They can be applied in different conditions to meet space and water heating requirements in the residential commercial and industrial building sectors The potential for this technology and the associated environmental benefits are significant This book offers clear guidance on planning and installing a solar thermal system crucial to the successful uptake of this technology All major topics for successful project implementation are included Beginning with resource assessment and an outline of core components this guide details solar thermal system design installation operation and maintenance for single households large systems swimming pool heaters solar air and solar cooling applications Details on how to market solar thermal technologies a review of relevant simulation tools and data on selected regional national and international renewable energy programmes are also provided In short the book offers comprehensive guidance for professionals who wish

to install solar thermal technology and will be a cherished resource for architects and engineers alike who are working on new projects electricians roofers and other installers craftsmen undertaking vocational training and anyone with a specialized and practical interest in this field Published with DGS *Recent Trends and Advances in Artificial Intelligence and Internet of Things* Valentina E. Balas,Raghvendra Kumar,Rajshree Srivastava,2019-11-19 This book covers all the emerging trends in artificial intelligence AI and the Internet of Things IoT The Internet of Things is a term that has been introduced in recent years to define devices that are able to connect and transfer data to other devices via the Internet While IoT and sensors have the ability to harness large volumes of data AI can learn patterns in the data and quickly extract insights in order to automate tasks for a variety of business benefits Machine learning an AI technology brings the ability to automatically identify patterns and detect anomalies in the data that smart sensors and devices generate and it can have significant advantages over traditional business intelligence tools for analyzing IoT data including being able to make operational predictions up to 20 times earlier and with greater accuracy than threshold based monitoring systems Further other AI technologies such as speech recognition and computer vision can help extract insights from data that used to require human review The powerful combination of AI and IoT technology is helping to avoid unplanned downtime increase operating efficiency enable new products and services and enhance risk management *French Dictionary of Information Technology* Terry Pyper,2020-08-26 Given the recent advances in telecommunications and the fact that the French lead the field in many aspects of information technology this will be a valuable tool for students translators and interpreters The author has himself worked for a number of years as a technical translator and the dictionary reflects his knowledge and practical experience 30 000 entries in each language cover terminology used in telecommunications electronics and computer science and developments in related disciplines such as the design and manufacture of printed circuits and components installation testing maintenance and software programming **Emerging Trends in Intelligent and Interactive Systems and Applications** Madjid Tavana,Nadia Nedjah,Reda Alhajj,2020-12-17 This book reports on the proceeding of the 5th International Conference on Intelligent Interactive Systems and Applications IISA 2020 held in Shanghai China on September 25 27 2020 The IISA proceedings with the latest scientific findings and methods for solving intriguing problems are a reference for state of the art works on intelligent and interactive systems This book covers nine interesting and current topics on different systems orientations including Analytical Systems Database Management Systems Electronics Systems Energy Systems Intelligent Systems Network Systems Optimization Systems and Pattern Recognition Systems and Applications The chapters included in this book cover significant recent developments in the field both in terms of theoretical foundations and their practical application An important characteristic of the works included here is the novelty of the solution approaches to the most interesting applications of intelligent and interactive systems *Emerging Technologies in Data Mining and Information Security* Ajith Abraham,Paramartha Dutta,Jyotsna Kumar Mandal,Abhishek

Bhattacharya, Soumi Dutta, 2018-09-01 The book features research papers presented at the International Conference on Emerging Technologies in Data Mining and Information Security IEMIS 2018 held at the University of Engineering Management Kolkata India on February 23 25 2018 It comprises high quality research by academics and industrial experts in the field of computing and communication including full length papers research in progress papers case studies related to all the areas of data mining machine learning IoT and information security Foss Aqueduct United States. Bureau of Reclamation, 1965 **Central Valley Project, West San Joaquin Division, San Luis Unit, California: San Luis Dam and pumping-generating plant, and O'Neill Dam and pumping plant: design** United States. Bureau of Reclamation, 1974 New York Review of the Telegraph and Telephone and Electrical Journal , 1906 *Automobile Electrical and Electronic Systems* Tom Denton, 2007-06-01 Understanding vehicle electrical and electronic systems is core to the work of every motor vehicle mechanic and technician This classic text ensures that students and practicing engineers alike keep abreast of advancing technology within the framework of the latest FE course requirements The new edition includes updated and new material throughout covering recent developments such as microelectronic systems testing equipment engine management systems and car entertainment and comfort systems New self assessment material includes multiple choice questions on each of the key topics covered With over 600 clear diagrams and figures the new edition will continue to be the book of choice for many students taking IMI technical certificates and NVQ level qualifications C G courses HNC D courses and their international equivalents and is also ideal for use as a reference book by service department personnel , **Automation** , 1954 Central Valley Project, West San Joaquin Division, San Luis Unit, California United States. Bureau of Reclamation, 1974

Yeah, reviewing a ebook **Motor Control Unit Circuit Diagram** could be credited with your near associates listings. This is just one of the solutions for you to be successful. As understood, achievement does not recommend that you have extraordinary points.

Comprehending as capably as bargain even more than additional will have the funds for each success. next to, the message as capably as keenness of this Motor Control Unit Circuit Diagram can be taken as with ease as picked to act.

<https://correiodobrasil.blogosfero.cc/files/scholarship/index.jsp/montana%204540%20tractor%20repair%20manual.pdf>

## **Table of Contents Motor Control Unit Circuit Diagram**

1. Understanding the eBook Motor Control Unit Circuit Diagram
  - The Rise of Digital Reading Motor Control Unit Circuit Diagram
  - Advantages of eBooks Over Traditional Books
2. Identifying Motor Control Unit Circuit Diagram
  - Exploring Different Genres
  - Considering Fiction vs. Non-Fiction
  - Determining Your Reading Goals
3. Choosing the Right eBook Platform
  - Popular eBook Platforms
  - Features to Look for in an Motor Control Unit Circuit Diagram
  - User-Friendly Interface
4. Exploring eBook Recommendations from Motor Control Unit Circuit Diagram
  - Personalized Recommendations
  - Motor Control Unit Circuit Diagram User Reviews and Ratings
  - Motor Control Unit Circuit Diagram and Bestseller Lists
5. Accessing Motor Control Unit Circuit Diagram Free and Paid eBooks
  - Motor Control Unit Circuit Diagram Public Domain eBooks

- Motor Control Unit Circuit Diagram eBook Subscription Services
- Motor Control Unit Circuit Diagram Budget-Friendly Options
- 6. Navigating Motor Control Unit Circuit Diagram eBook Formats
  - ePub, PDF, MOBI, and More
  - Motor Control Unit Circuit Diagram Compatibility with Devices
  - Motor Control Unit Circuit Diagram Enhanced eBook Features
- 7. Enhancing Your Reading Experience
  - Adjustable Fonts and Text Sizes of Motor Control Unit Circuit Diagram
  - Highlighting and Note-Taking Motor Control Unit Circuit Diagram
  - Interactive Elements Motor Control Unit Circuit Diagram
- 8. Staying Engaged with Motor Control Unit Circuit Diagram
  - Joining Online Reading Communities
  - Participating in Virtual Book Clubs
  - Following Authors and Publishers Motor Control Unit Circuit Diagram
- 9. Balancing eBooks and Physical Books Motor Control Unit Circuit Diagram
  - Benefits of a Digital Library
  - Creating a Diverse Reading Collection Motor Control Unit Circuit Diagram
- 10. Overcoming Reading Challenges
  - Dealing with Digital Eye Strain
  - Minimizing Distractions
  - Managing Screen Time
- 11. Cultivating a Reading Routine Motor Control Unit Circuit Diagram
  - Setting Reading Goals Motor Control Unit Circuit Diagram
  - Carving Out Dedicated Reading Time
- 12. Sourcing Reliable Information of Motor Control Unit Circuit Diagram
  - Fact-Checking eBook Content of Motor Control Unit Circuit Diagram
  - Distinguishing Credible Sources
- 13. Promoting Lifelong Learning
  - Utilizing eBooks for Skill Development
  - Exploring Educational eBooks

## 14. Embracing eBook Trends

- Integration of Multimedia Elements
- Interactive and Gamified eBooks

### **Motor Control Unit Circuit Diagram Introduction**

In today's digital age, the availability of Motor Control Unit Circuit Diagram books and manuals for download has revolutionized the way we access information. Gone are the days of physically flipping through pages and carrying heavy textbooks or manuals. With just a few clicks, we can now access a wealth of knowledge from the comfort of our own homes or on the go. This article will explore the advantages of Motor Control Unit Circuit Diagram books and manuals for download, along with some popular platforms that offer these resources. One of the significant advantages of Motor Control Unit Circuit Diagram books and manuals for download is the cost-saving aspect. Traditional books and manuals can be costly, especially if you need to purchase several of them for educational or professional purposes. By accessing Motor Control Unit Circuit Diagram versions, you eliminate the need to spend money on physical copies. This not only saves you money but also reduces the environmental impact associated with book production and transportation. Furthermore, Motor Control Unit Circuit Diagram books and manuals for download are incredibly convenient. With just a computer or smartphone and an internet connection, you can access a vast library of resources on any subject imaginable. Whether you're a student looking for textbooks, a professional seeking industry-specific manuals, or someone interested in self-improvement, these digital resources provide an efficient and accessible means of acquiring knowledge. Moreover, PDF books and manuals offer a range of benefits compared to other digital formats. PDF files are designed to retain their formatting regardless of the device used to open them. This ensures that the content appears exactly as intended by the author, with no loss of formatting or missing graphics. Additionally, PDF files can be easily annotated, bookmarked, and searched for specific terms, making them highly practical for studying or referencing. When it comes to accessing Motor Control Unit Circuit Diagram books and manuals, several platforms offer an extensive collection of resources. One such platform is Project Gutenberg, a nonprofit organization that provides over 60,000 free eBooks. These books are primarily in the public domain, meaning they can be freely distributed and downloaded. Project Gutenberg offers a wide range of classic literature, making it an excellent resource for literature enthusiasts. Another popular platform for Motor Control Unit Circuit Diagram books and manuals is Open Library. Open Library is an initiative of the Internet Archive, a non-profit organization dedicated to digitizing cultural artifacts and making them accessible to the public. Open Library hosts millions of books, including both public domain works and contemporary titles. It also allows users to borrow digital copies of certain books for a limited period, similar to a library lending system. Additionally, many universities and educational institutions have their own digital libraries that provide free



access to PDF books and manuals. These libraries often offer academic texts, research papers, and technical manuals, making them invaluable resources for students and researchers. Some notable examples include MIT OpenCourseWare, which offers free access to course materials from the Massachusetts Institute of Technology, and the Digital Public Library of America, which provides a vast collection of digitized books and historical documents. In conclusion, Motor Control Unit Circuit Diagram books and manuals for download have transformed the way we access information. They provide a cost-effective and convenient means of acquiring knowledge, offering the ability to access a vast library of resources at our fingertips. With platforms like Project Gutenberg, Open Library, and various digital libraries offered by educational institutions, we have access to an ever-expanding collection of books and manuals. Whether for educational, professional, or personal purposes, these digital resources serve as valuable tools for continuous learning and self-improvement. So why not take advantage of the vast world of Motor Control Unit Circuit Diagram books and manuals for download and embark on your journey of knowledge?

### **FAQs About Motor Control Unit Circuit Diagram Books**

1. Where can I buy Motor Control Unit Circuit Diagram books? Bookstores: Physical bookstores like Barnes & Noble, Waterstones, and independent local stores. Online Retailers: Amazon, Book Depository, and various online bookstores offer a wide range of books in physical and digital formats.
2. What are the different book formats available? Hardcover: Sturdy and durable, usually more expensive. Paperback: Cheaper, lighter, and more portable than hardcovers. E-books: Digital books available for e-readers like Kindle or software like Apple Books, Kindle, and Google Play Books.
3. How do I choose a Motor Control Unit Circuit Diagram book to read? Genres: Consider the genre you enjoy (fiction, non-fiction, mystery, sci-fi, etc.). Recommendations: Ask friends, join book clubs, or explore online reviews and recommendations. Author: If you like a particular author, you might enjoy more of their work.
4. How do I take care of Motor Control Unit Circuit Diagram books? Storage: Keep them away from direct sunlight and in a dry environment. Handling: Avoid folding pages, use bookmarks, and handle them with clean hands. Cleaning: Gently dust the covers and pages occasionally.
5. Can I borrow books without buying them? Public Libraries: Local libraries offer a wide range of books for borrowing. Book Swaps: Community book exchanges or online platforms where people exchange books.
6. How can I track my reading progress or manage my book collection? Book Tracking Apps: Goodreads, LibraryThing,

and Book Catalogue are popular apps for tracking your reading progress and managing book collections. Spreadsheets: You can create your own spreadsheet to track books read, ratings, and other details.

7. What are Motor Control Unit Circuit Diagram audiobooks, and where can I find them? Audiobooks: Audio recordings of books, perfect for listening while commuting or multitasking. Platforms: Audible, LibriVox, and Google Play Books offer a wide selection of audiobooks.
8. How do I support authors or the book industry? Buy Books: Purchase books from authors or independent bookstores. Reviews: Leave reviews on platforms like Goodreads or Amazon. Promotion: Share your favorite books on social media or recommend them to friends.
9. Are there book clubs or reading communities I can join? Local Clubs: Check for local book clubs in libraries or community centers. Online Communities: Platforms like Goodreads have virtual book clubs and discussion groups.
10. Can I read Motor Control Unit Circuit Diagram books for free? Public Domain Books: Many classic books are available for free as they're in the public domain. Free E-books: Some websites offer free e-books legally, like Project Gutenberg or Open Library.

## Find Motor Control Unit Circuit Diagram :

**montana 4540 tractor repair manual**

*moses and hatshepsut*

**more dirty looks gender pornography and power television media & cultural studies**

*monsieur nicolas abenteuer lande liebe ebook*

*monte carlo methods for electromagnetics by matthew no sadiku 2009-04-09*

*mori seiki sl 1 lathe parts list manual*

**mosby s nursing video skills**

*moonshine in a mason jar poems by jan graham*

*mooney m20j part manual*

**morgan le fay shapeshifter arthurian and courtly cultures**

*morgan rosen katz microeconomics*

**monster high ghoul spirit a monster high doodle book**

**moral compass the samuel beasley trilogy book one**

**mosaik die digedags 1 223 komplett**

## moonlight sonata easy version

### Motor Control Unit Circuit Diagram :

*the colorado kid amazon com* - May 01 2023

web jan 22 2008 the colorado kid is the initial moniker given to a middle aged man who turned up dead on the beach of moose lookit island off the maine coast back in 1980 just another john doe to the local cops he would never have been identified without the help of the two old men running the weekly islander they did more investigating than

**the great stephen king reread the colorado kid tor com** - Feb 15 2022

web jul 19 2017 the great stephen king reread the colorado kid the tiniest stephen king book both in page count and substance the colorado kid came along after king disgorged three of his massive dark tower

**the colorado kid wikiwand** - Dec 28 2022

web the colorado kid is a mystery novel by american writer stephen king published by the hard case crime imprint in 2005 the book was initially issued in one paperback only edition by the specialty crime and mystery publishing house king s next novel for hard case crime was joyland which was published in june 2013 hard case crime reissued the

**let s talk about stephen king s the colorado kid david odle** - Mar 19 2022

web aug 27 2021 let s dig into the colorado kid by stephen king i love stephen king so imagine my surprise when i learned a book existed by the king that i had not read a book written fifteen years ago not only that but one i d never even heard of i m referring to the colorado kid so let s talk about it i rate this f word a 19 out of a possible 25

*the colorado kid by stephen king paperback barnes noble* - Feb 27 2023

web may 7 2019 overview stephen king s bestselling unsolved mystery the colorado kid inspiration for the tv series haven returns to bookstores for the first time in 10 years in an all new illustrated edition on an island off the coast of maine a man is found dead there s no identification on the body

*the colorado kid stephen king wiki fandom* - Jun 02 2023

web the colorado kid is the 53rd book published by stephen king it was his 42nd novel and the 36th under his own name the book was released by hard case crime on 4 october 2005 the colorado kid and cycle of the werewolf are the only 2 stephen king novels to be published in paperback once

**the colorado kid plot summary books tldr** - Aug 24 2022

web the colorado kid by stephen king opening in medias res as the news staff of the weekly islander pays for lunch at a restaurant editor dave bowie and founder vince teague test young intern stephanie mccann s powers of deduction

*the colorado kid wikipedia* - Oct 06 2023

web the colorado kid is a mystery novel by american writer stephen king published by the hard case crime imprint in 2005 the book was initially issued in one paperback only edition by the specialty crime and mystery publishing house

*book review the colorado kid by stephen king flickering myth* - Jul 23 2022

web jul 1 2019 the colorado kid is one of king s shortest stories he s ever written at 180 pages less if you exclude the new forward from hard case crime publisher charles ar dai the book is a fairly easy

the colorado kid hard case crime 013 i amazon com - Jan 29 2023

web may 7 2019 stephen king s bestselling unsolved mystery the colorado kid inspiration for the tv series haven returns to bookstores for the first time in 10 years in an all new illustrated edition on an island off the coast of maine a man is found dead there s no identification on the body

*colorado kid 1937 imdb* - May 21 2022

web colorado kid directed by sam newfield with bob steele marion weldon karl hackett ernie adams when hines kills the colonel for his money the colorado kid is arrested and then found guilty of the murder bibben beaks him out of jail and later identifies some of the bills spent by hines to have been part of the money stolen from the colonel

the colorado kid film wikipedia - Nov 26 2022

web the colorado kid is a 1937 american western film directed by sam newfield and written by charles f royal the film stars bob steele marion weldon karl hackett ernie adams ted adams and frank larue the film was released

**the colorado kid stephen king google books** - Sep 24 2022

web oct 4 2005 the colorado kid stephen king simon and schuster oct 4 2005 fiction 184 pages on an island off the coast of maine a man is found dead there s no identification on the body only the dogged work of a pair of local newspapermen and a graduate student in forensics turns up any clues but that s just the beginning of the

**adapting stephen king s the colorado kid 2010 syfy series** - Oct 26 2022

web jul 13 2022 in his pockets were discovered a russian coin and a pack of cigarettes identified as being from colorado via an out of state tax stamp hence why he was given the nickname the colorado kid

the true story behind the colorado kid angie s diary - Jul 03 2023

web dec 2 2021 may 10 2012 colorado kid the book that caused the biggest controversy was the colorado kid mainly because from the master of carrie christine the true story behind the colorado kid i dare say many of

colorado kid 1937 full cast crew imdb - Jun 21 2022

web colorado kid 1937 cast and crew credits including actors actresses directors writers and more menu movies release calendar top 250 movies most popular movies browse movies by genre top box office showtimes tickets

**stephen king the colorado kid** - Aug 04 2023

web from the flap the world s best selling novelist is back with an all new investigation into the unknown on an island off the coast of maine a man is found dead there s no identification on the body

[the colorado kid by stephen king goodreads](#) - Sep 05 2023

web oct 4 2005 49 692 ratings 4 298 reviews on an island off the coast of maine a man is found dead there s no identification on the body only the dogged work of a pair of local newspapermen and a graduate student in forensics turns up any clues but that s just the beginning of the mystery

[book review stephen king s the colorado kid the novel that](#) - Apr 19 2022

web may 27 2019 the colorado kid is a different type of tale kicking aside all reader expectations no matter what expectation you have coming into the story it s full of stephen king s maine the local oddballs are few here but we get plenty of their anachronisms their dialects and colloquialisms from storytellers dave and vince

[the colorado kid illustrated edition by stephen king goodreads](#) - Mar 31 2023

web may 7 2019 the colorado kid is different it s not your typical 300 400 page long novel that delves deep into the mind of each character that ties up the loose ends usually and that offers a satisfying even if it s sad ending this book was definitely slow at first

[ac milan wikipeidi](#) - Aug 06 2023

web associazione calcio milan İtalyanca telaffuz 'assotʃat'tsjo:ne 'kaltʃo 'mi:lan ya da yaygın kullanılan ismiyle ac milan veya milan milano lombardiya da kurulan serie a da mücadele eden İtalyan profesyonel futbol takımıdır

**milan ayrıntılı kadro 23 24 transfermarkt** - Jul 05 2023

web diese seite enthält die kompakte kader Übersicht vom verein milan in der saison güncel sezonun toplam istatistiği milan ayrıntılı kadro 23 24 transfermarkt haberler

**ac milan news latest and real time updates** - Jan 31 2023

web stay up to date with news from the ac milan world all training sessions matches interviews and much more live ac milan together with its protagonists

**milan haberleri transfer ve son dakika bein sports** - May 03 2023

web milan ile ilgili son dakika haberleri ve transfer gelişmelerinin yanı sıra özel röportajlar ve istatistikler bein sports da

[milan futbol takımı 2023 2024 mackolik com](#) - Apr 02 2023

web milan fikstürü iddaa maçları sonuçları milan maç istatistikleri milan futbolcu kadrosu milan haberleri milan transfer haberleri

**milan kulüp profili transfermarkt** - Oct 08 2023

web kulüp bilgileri milan serie a güncel kadro ve piyasa değerleri transferler söylentiler oyuncu istatistikleri fikstür haberler

*ac milan club profile transfermarkt - Dec 30 2022*

web ac milan udinese calcio all information about ac milan serie a current squad with market values transfers rumours player stats fixtures news

milan fikstürü ve milan maç sonuçları sporx - Jun 04 2023

web milan fikstürü ve milan maç sonuçları milan takımının maç fikstürüne ve maç sonuçlarına ulaşabileceğiniz ve avrupadaki tüm maç bilgilerinin yer aldığı sayfamız

**milan puan durumu maç sonuçları kadro ve fikstür sporzip - Mar 01 2023**

web ac milan 2023 2024 sezonu puan durumu maç sonuçları fikstür a takım ve altyapı kadrosu

*ac milan official website - Sep 07 2023*

web oct 21 2023 visit the ac milan official website all the latest news on the team and club info on matches tickets and official stores

largo winch diptyque tome 8 amazon singapore - Oct 15 2023

web largo winch diptyque tome 8 les trois yeux des gardiens du tao la voie et la vertu amazon sg books

*bande dessinée largo winch la tête dans les étoiles les - Oct 03 2022*

web nov 16 2023 bande dessinée largo winch la tête dans les étoiles les intérêts sous terre publié le 16 11 2023 à 7h30 le nouveau tome des aventures du milliardaire aventurier clôt un chapitre

*dupuis van hamme jean largo winch diptyques tome 8 - Feb 07 2023*

web dupuis van hamme jean largo winch diptyques tome 8 largo winch diptyques tomes 15 16 buy online now at letzshop in stock at the store in luxembourg city order online

**largo winch diptyques tome 1 diptyque largo winch 1 10 by - Mar 28 2022**

web diptyques tome 3 diptyque largo winch 3 10 sur votre liseuse où que vous soyez furet du nord lisez largo winch

diptyques tome 8 diptyque largo winch 8 10 de jean van hamme disponible chez rakuten kobo pékin ministère de l administration générale de l aviation civile la division aéronautique du groupe w représentée pa

**diptyques tome 8 diptyque largo winch 8 10 goodreads - Aug 13 2023**

web largo winch diptyques tome 8 diptyque largo winch 8 10 jean van hamme francq illustrator 5 00 1

**largo winch diptyques tome 8 amazon com au - Jul 12 2023**

web largo winch diptyques tome 8 largo winch diptyques tomes 15 16 van hamme jean on amazon com au free shipping on eligible orders largo winch diptyques tome 8 largo winch diptyques tomes 15 16

largo winch diptyques tome 8 diptyque largo winch 8 10 by - Apr 28 2022

web largo winch diptyques tome 8 diptyque largo winch 8 10 by van hamme jean francq largo winch diptyques tome 8

diptyque largo winch 8 10 by van hamme jean francq largo winch page 2 bd classique livre bd fnac largo winch diptyque tome 8 les trois yeux des largo winch diptyque tome 10 bdfugue largo winch

bande dessinée largo winch connaît enfin ses origines - Feb 24 2022

web 23 hours ago une apparition du jeune largo le lecteur fidèle de largo winch trouve son compte avec son lot de révélations sur les jeunes années du héros il apprend au passage qu'il est né en 1990

largo winch diptyques tome 8 largo winch diptyques - May 10 2023

web oct 5 2018 amazon com largo winch diptyques tome 8 largo winch diptyques tomes 15 16 9791034730254 van hamme jean francq books

*largo winch diptyques tome 8 largo winch amazon ae* - Mar 08 2023

web buy largo winch diptyques tome 8 largo winch diptyques tomes 15 16 by online on amazon ae at best prices fast and free shipping free returns cash on delivery available on eligible purchase

**largo winch diptyques tome 8 largo winch amazon de** - Jun 11 2023

web largo winch diptyques tome 8 largo winch diptyques tomes 15 16 francq philippe van hamme jean amazon de books

largo winch comic book tv tropes - Sep 02 2022

web bad luck comes and goes it must be overcome but i will never never sit at the side of the road showing my wounds and shouting it's destiny largo winch is a belgian comic book series by philippe francq and jean van hamme and published by dupuis the initial albums are actually adaptations of novels that van hamme wrote back in the 70s

**largo winch diptyques old mediatoon foreign rights** - Dec 05 2022

web on the occasion of the 20th anniversary of largo winch the cult series by francq and van hamme dupuis published this limited edition of 8 two volume albums

**largo winch diptyques old** - Jan 06 2023

web on the occasion of the 20th anniversary of largo winch the cult series by francq and van hamme dupuis published this limited edition of 8 two volume albums largo winch 20 ans diptyque tome 8 8 largo winch 20 ans diptyque tome 7 8 largo winch 20 ans diptyque tome 6 8 largo winch 20 ans diptyque tome 5 8

**largo winch diptyques tome 8 diptyque largo winch book** - May 30 2022

web winch diptyques tome 8 diptyque largo winch is simple in our digital library an online entry to it is set as public suitably you can download it instantly our digital library saves in multiple countries allowing you to acquire the most less latency period to download any of our books afterward this one

largo winch diptyques 8 tomes 15 16 bedetheque - Sep 14 2023

web nov 27 2010 la réédition des aventures de largo winch en diptyques gold collector prend fin avec ce huitième tome des

vingt ans de la série de francq et van hamme engagé à vie par un serment auquel il avait dû consentir pour sauver son ami simon largo croit l heure venue de payer sa dette aux triades qui l avaient aidé à prendre d assaut la

[largo winch diptyque 8 9782800147611 amazon com au](#) - Apr 09 2023

web largo winch diptyque 8 on amazon com au free shipping on eligible orders largo winch diptyque 8

**category largo winch wikimedia commons** - Aug 01 2022

web media in category largo winch the following 18 files are in this category out of 18 total belgique louvain la neuve place des sciences largo winch 02 jpg 3 676 2 476 5 53 mb

**largo winch wikipedia** - Nov 04 2022

web largo winch is a belgian comic book series by philippe francq and jean van hamme published by dupuis it started as a series of novels by van hamme in the late 1970s but stopped due to a lack of success and the huge amount of work van hamme had in the meantime with his comic books e g thorgal

**largo winch diptyques tome 3 largo winch diptyques** - Jun 30 2022

web sans famille ni attaches contestataire séducteur vagabond iconoclaste et bagarreur il se retrouve à vingt six ans à la tête d un empire de dix milliards de dollars découvrez largo winch le milliardaire en jeans accrochez vous