

Nikon

The Nikon Guide to Digital Photography
with the

D100

DIGITAL CAMERA

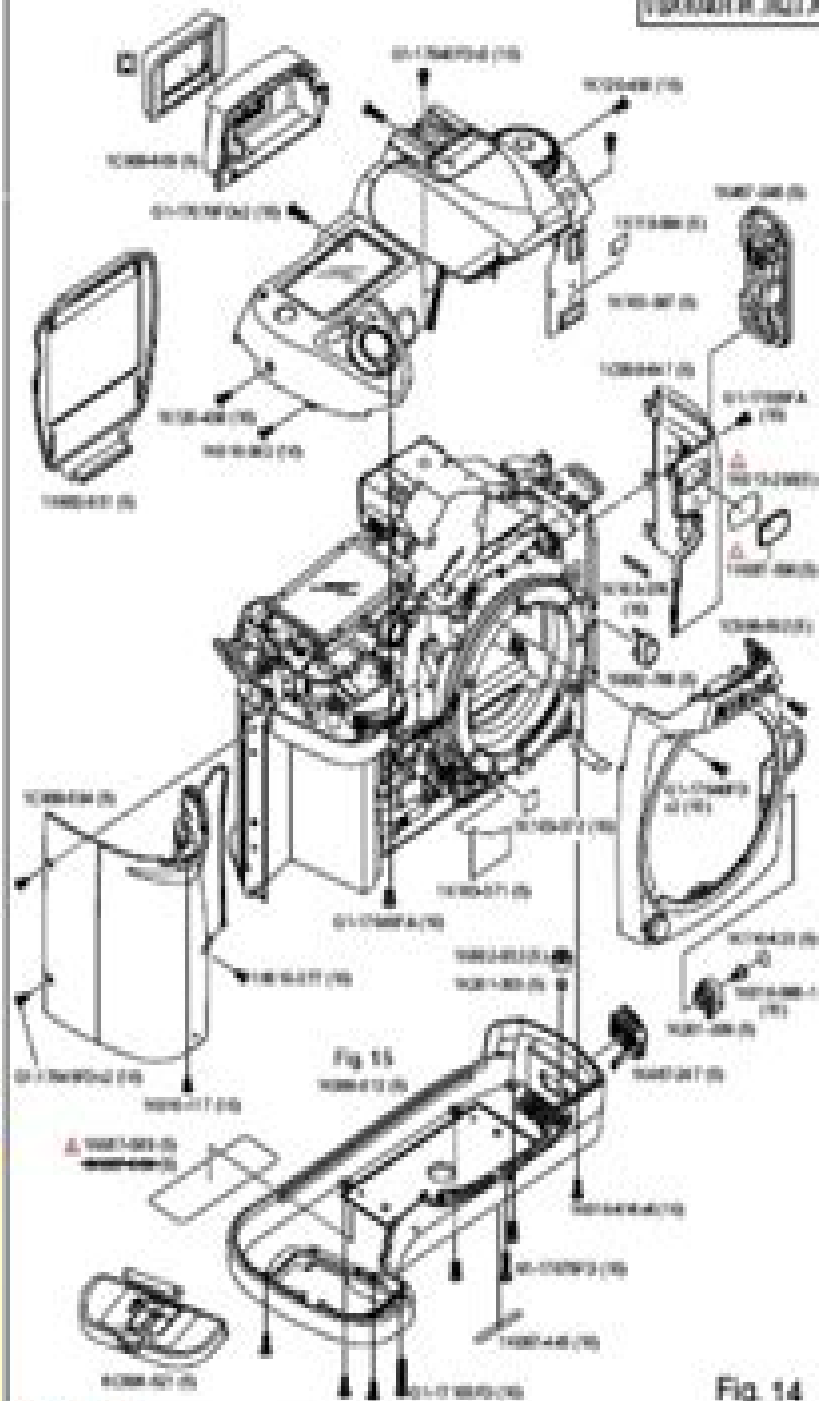


Nikon

Digital Camera

D100

Quick Start Guide



Nikon D100 Manual

Martin Edge



Nikon D100 Manual:

Vol. 21: Early DSLR Cameras I: Revisiting the Nikon D100 Shawn M. Tomlinson, 2018-03-14 The folks at Nikon produced the first practical digital single lens reflex camera with the Nikon D1 in 1999 but Canon was hot on their heels reaching out to the Enthusiast photography market first with the Canon EOS 30D Always in direct competition with Canon Nikon pushed to get its first Enthusiast DSLR on the market by 2002 the Nikon D100 It may be old now but it still is a viable choice for the frugal photographer starting out In this volume of Shawn M Tomlinson s Guide to Photography Nikon D100 takes center stage showing exactly how good this camera is and why it makes a great first DSLR

Pro Photographer's D-SLR Handbook Michael Freeman, 2008 Taking into account contemporary cameras latest features such as high resolution sensors image stabilization and dust reduction Freeman thoroughly answers the most frequently asked questions about digital capture storage printers and scanners Photographers will learn the different file formats and how to save images for print and publishing on the web They ll explore valuable software tools and basic image processing programs that fix common problems and see how to improve pictures using an assortment of cropping and filtering techniques

Designer's Color Manual Tom Fraser, Adam Banks, 2004-07-08 The eye the camera s lens and the computer screen all treat color differently This important addition to the designer s reference library helps resolve the differences among the numerous media that contemporary designers work with every day Comprehensive in scope it brings together key elements of color theory practice and application addressing a wide range of issues specific to graphic design in both print and digital media Beyond step by step techniques for managing color in modern graphic design practice Designer s Color Manual also addresses topics which help designers understand color in a variety of disciplines looking at historical color systems color in art and the psychology of color among dozens of other topics Author and designer Tom Fraser also takes other graphics related practices into account interior design digital rendering packaging and merchandise design aiding the designer in mastering the far reaching effects of color in almost any project Heavily illustrated with over 1 000 color images Designer s Color Manual addresses an area that s been gray for too long in the full color world of contemporary design

The Underwater Photographer Martin Edge, 2006 One of the world s leading underwater photographers Martin Edge explains in this book his consider and think approach to taking pictures He shows how to select the right equipment and provides guidance on all the basic techniques

Pro Digital Photographer's Handbook Michael Freeman, 2005 Michael Freeman has a well deserved reputation for effectively explaining the concepts behind digital picture taking to a variety of audiences Here he turns his attention to the professionals and advanced hobbyists who are making the move from traditional to digital and want help mastering the technology and meeting their clients new requirements Freeman thoroughly answers the most frequently asked questions about the basics of digital capture from cameras and computers to storage options printers and scanners Photographers will learn the different file formats and how to save images for print or publishing on the web They ll

explore valuable software tools and basic image processing programs that fix common problems and see how to improve pictures using an assortment of cropping and filtering techniques The smart detailed advice will give photographers confidence as they enter this new digital world *Fathoms*,2003 [The Digital Photography Manual](#) Philip Andrews,2003 Digital imaging has had a huge impact on the world of photography The last few years have seen great leaps forward in the quality availability and affordability of digital camera and printers [Nikon D70 Digital Field Guide](#) David D. Busch,2011-08-02 Congratulations You have one of the most versatile feature rich digital SLRs on the market and this full color guide helps you make the most of it Learn how to set up your Nikon D70 or D70s and adjust it for every subject and circumstance Get professional advice on choosing lenses composing more than twenty five types of shots even downloading and displaying your photos Wherever your imagination takes you take this book along Use the Quick Tour to get the feel of your camera right away Shift easily between semi automatic and manual modes Work with flash and available lighting to achieve different effects Explore special lenses like macro vibration reduction and teleconverters Discover the secrets of perfect action business portrait or nature photography Make downloading and editing problem free *Mastering the Nikon* Darrell Young,2013-09-18 *Mastering the Nikon D7100* by Darrell Young provides a wealth of experience based information and insights for owners of the new D7100 camera Darrell is determined to help the user navigate past the confusion that often comes with complex and powerful professional camera equipment This book explores the features and capabilities of the camera in a way that far surpasses the user s manual It guides readers through the camera features with step by step setting adjustments color illustrations and detailed how when and why explanations for each option Every button dial switch and menu configuration setting is explored in a user friendly manner with suggestions for setup according to various shooting styles Darrell s friendly and informative writing style allows readers to easily follow directions while feeling as if a friend dropped in to share his knowledge The learning experience for new D7100 users goes beyond just the camera itself and covers basic photography technique **David Busch's Nikon D7200 Guide to Digital SLR Photography** David D. Busch,2015-09-30 *Photoshop CS2 RAW* Mikkel Aaland,2006-03-15 An important book dedicated to working with RAW in Photoshop this comprehensive guide features a unique design that helps readers grasp the subject through visual instruction and prompts The entire RAW process is explored from shooting to using the Adobe plug in converter and new Bridge navigation software **Shooting Incident Reconstruction** Michael G. Haag,Lucien C. Haag,2011-06-29 *Shooting Incident Reconstruction* Second Edition offers a thorough explanation of matters from simple to complex to help the reader understand the factors surrounding ballistics trajectory and shooting scenes Forensic scientists law enforcement and crime scene investigators are often tasked with reconstruction of events based on crime scene evidence along with the subsequent analysis of that evidence The use and misuse of firearms to perpetrate crimes from theft to murder necessitates numerous invitations to reconstruct shooting incidents The discharge of firearms and the behavior of projectiles create many forms of

physical evidence that through proper testing and interpretation by a skilled forensic scientist can establish what did and what did not occur Written by the world s most well respected shooting scene and ballistics experts the book addresses the terminology science and factors involved in reconstructing shooting incident events to solve forensic cases It covers the full range of related topics including the range from which a firearm was discharged the sequence of shots in a multiple discharge shooting incident the position of a firearm at the moment of discharge and the position of a victim at the moment of impact The probable flight path of a projectile and the manner in which a firearm was discharged are also discussed Case studies illustrate real world application of technical concepts supported by over 200 full color diagrams and photographs This book will be of value to practicing forensic scientists firearm and toolmark examiners ballistics experts crime scene personnel police departments forensic consultants generalists attorneys and judges medical examiners coroners and forensic pathologists Written by the most well respected shooting scene and ballistics experts in the world Contains over 200 full color diagrams and photographs that support and illustrate key concepts Case studies illustrate real world application of technical concepts

Nikon D200 Digital Field Guide David D. Busch,2012-06-26 You ve been waiting for an affordable dSLR with the quality and versatility of the Nikon D200 Packed with great techniques and full color examples this book helps you take advantage of all the D200 s features From the Quick Tour on how to use your D200 to the intricacies of setting white balance working with the flash converting NEF and shooting superb images in more than twenty common situations it s all here and it goes anywhere you and your Nikon can Get a clear understanding of your camera s challenges and advantages Choose the right shooting exposure and focus modes for each type of shot Use extended ISO and noise reduction Explore how various lenses can enhance your work Work with different flash options and available light Visit our Web site at www.wiley.com/compbooks

Mastering the Nikon D7000 Darrell Young,2011 Young explores the features and capabilities of the camera in a way that far surpasses the user s manual He guides readers through features with step by step setting adjustments color illustrations and detailed how when and why explanations for each option

Mastering the Nikon Z7 Darrell Young,2019-08-13 Mastering the Nikon Z7 by Darrell Young provides a wealth of experience based information and insights for owners of Nikon s new mirrorless full frame Z7 camera Darrell is determined to help the user navigate past the confusion that often comes with complex and powerful professional camera equipment This book explores the features and capabilities of the camera in a way that far surpasses the user s manual It guides readers through the camera features with step by step setting adjustments color illustrations and detailed how when and why explanations for each option Every button dial switch and menu configuration setting is explored in a user friendly manner with suggestions for setup according to various shooting styles Darrell s friendly and informative writing style allows readers to easily follow directions while feeling as if a friend dropped in to share his knowledge The information in this book goes beyond the camera itself and also covers basic photography technique

American Photo ,2002-11

The New Nikon Compendium Simon Stafford,Rudi

Hillebrand, Rudolf Hillebrand, Hans-Joachim Hauschild, 2004 Presenting the thoroughly revised fully illustrated edition of The Nikon Compendium updated by the technical editor of Nikon Owner magazine to include all the new Nikon cameras lenses and accessories This is what Nikon enthusiasts have eagerly awaited the most complete Nikon reference book ever At almost double the length of the original the guide describes virtually every Nikon camera ever produced right up to the wide variety of popular digital models It aids identification offers user friendly tips explains what system fits with which camera and discusses what limitations occur when equipment from one generation is married to items from another Professional and amateur photographers as well as enthusiasts collectors and retailers will want this on their bookshelves **Nature Photography Close Up** Paul Harcourt Davies, Peter Parks, 2003-01-01 Nature reveals her unseen beauty in an up close and personal fashion in the photographs of Paul Harcourt Davies and Peter Parks Zooming in on the faces of dragonflies and hornets unearthing the intricate patterns of fungi and mosses and even capturing the active beauty of plankton Nature Photography Close Up presents a think small approach to natural subjects Containing dozens of full color photographs each accompanied by a succinct and insightful essay this gorgeous book doubles as a showcase and an instructional guide Any photographers with an interest in macro nature photography will enjoy this new way of looking at the unseen wonders around them *Maximum PC* ,2003-01 Maximum PC is the magazine that every computer fanatic PC gamer or content creator must read Each and every issue is packed with punishing product reviews insightful and innovative how to stories and the illuminating technical articles that enthusiasts crave **The Photographer's Practical Handbook** Paul Davies, 2005 Provides advice on the essential techniques related to a range of photography fields featuring detailed coverage of everything from obtaining or adapting equipment to building and using accessories

Yeah, reviewing a books **Nikon D100 Manual** could mount up your close links listings. This is just one of the solutions for you to be successful. As understood, feat does not suggest that you have fabulous points.

Comprehending as capably as concord even more than further will come up with the money for each success. next-door to, the declaration as competently as acuteness of this Nikon D100 Manual can be taken as with ease as picked to act.

https://correiodobrasil.blogosfero.cc/data/browse/index.jsp/nykon_d5000_expanded_guide_expanded_guides.pdf

Table of Contents Nikon D100 Manual

1. Understanding the eBook Nikon D100 Manual
 - The Rise of Digital Reading Nikon D100 Manual
 - Advantages of eBooks Over Traditional Books
2. Identifying Nikon D100 Manual
 - Exploring Different Genres
 - Considering Fiction vs. Non-Fiction
 - Determining Your Reading Goals
3. Choosing the Right eBook Platform
 - Popular eBook Platforms
 - Features to Look for in an Nikon D100 Manual
 - User-Friendly Interface
4. Exploring eBook Recommendations from Nikon D100 Manual
 - Personalized Recommendations
 - Nikon D100 Manual User Reviews and Ratings
 - Nikon D100 Manual and Bestseller Lists
5. Accessing Nikon D100 Manual Free and Paid eBooks
 - Nikon D100 Manual Public Domain eBooks
 - Nikon D100 Manual eBook Subscription Services

- Nikon D100 Manual Budget-Friendly Options
- 6. Navigating Nikon D100 Manual eBook Formats
 - ePub, PDF, MOBI, and More
 - Nikon D100 Manual Compatibility with Devices
 - Nikon D100 Manual Enhanced eBook Features
- 7. Enhancing Your Reading Experience
 - Adjustable Fonts and Text Sizes of Nikon D100 Manual
 - Highlighting and Note-Taking Nikon D100 Manual
 - Interactive Elements Nikon D100 Manual
- 8. Staying Engaged with Nikon D100 Manual
 - Joining Online Reading Communities
 - Participating in Virtual Book Clubs
 - Following Authors and Publishers Nikon D100 Manual
- 9. Balancing eBooks and Physical Books Nikon D100 Manual
 - Benefits of a Digital Library
 - Creating a Diverse Reading Collection Nikon D100 Manual
- 10. Overcoming Reading Challenges
 - Dealing with Digital Eye Strain
 - Minimizing Distractions
 - Managing Screen Time
- 11. Cultivating a Reading Routine Nikon D100 Manual
 - Setting Reading Goals Nikon D100 Manual
 - Carving Out Dedicated Reading Time
- 12. Sourcing Reliable Information of Nikon D100 Manual
 - Fact-Checking eBook Content of Nikon D100 Manual
 - Distinguishing Credible Sources
- 13. Promoting Lifelong Learning
 - Utilizing eBooks for Skill Development
 - Exploring Educational eBooks
- 14. Embracing eBook Trends

- Integration of Multimedia Elements
- Interactive and Gamified eBooks

Nikon D100 Manual Introduction

In today's digital age, the availability of Nikon D100 Manual books and manuals for download has revolutionized the way we access information. Gone are the days of physically flipping through pages and carrying heavy textbooks or manuals. With just a few clicks, we can now access a wealth of knowledge from the comfort of our own homes or on the go. This article will explore the advantages of Nikon D100 Manual books and manuals for download, along with some popular platforms that offer these resources. One of the significant advantages of Nikon D100 Manual books and manuals for download is the cost-saving aspect. Traditional books and manuals can be costly, especially if you need to purchase several of them for educational or professional purposes. By accessing Nikon D100 Manual versions, you eliminate the need to spend money on physical copies. This not only saves you money but also reduces the environmental impact associated with book production and transportation. Furthermore, Nikon D100 Manual books and manuals for download are incredibly convenient. With just a computer or smartphone and an internet connection, you can access a vast library of resources on any subject imaginable. Whether you're a student looking for textbooks, a professional seeking industry-specific manuals, or someone interested in self-improvement, these digital resources provide an efficient and accessible means of acquiring knowledge. Moreover, PDF books and manuals offer a range of benefits compared to other digital formats. PDF files are designed to retain their formatting regardless of the device used to open them. This ensures that the content appears exactly as intended by the author, with no loss of formatting or missing graphics. Additionally, PDF files can be easily annotated, bookmarked, and searched for specific terms, making them highly practical for studying or referencing. When it comes to accessing Nikon D100 Manual books and manuals, several platforms offer an extensive collection of resources. One such platform is Project Gutenberg, a nonprofit organization that provides over 60,000 free eBooks. These books are primarily in the public domain, meaning they can be freely distributed and downloaded. Project Gutenberg offers a wide range of classic literature, making it an excellent resource for literature enthusiasts. Another popular platform for Nikon D100 Manual books and manuals is Open Library. Open Library is an initiative of the Internet Archive, a non-profit organization dedicated to digitizing cultural artifacts and making them accessible to the public. Open Library hosts millions of books, including both public domain works and contemporary titles. It also allows users to borrow digital copies of certain books for a limited period, similar to a library lending system. Additionally, many universities and educational institutions have their own digital libraries that provide free access to PDF books and manuals. These libraries often offer academic texts, research papers, and technical manuals, making them invaluable resources for students and researchers. Some notable examples include MIT OpenCourseWare,

which offers free access to course materials from the Massachusetts Institute of Technology, and the Digital Public Library of America, which provides a vast collection of digitized books and historical documents. In conclusion, Nikon D100 Manual books and manuals for download have transformed the way we access information. They provide a cost-effective and convenient means of acquiring knowledge, offering the ability to access a vast library of resources at our fingertips. With platforms like Project Gutenberg, Open Library, and various digital libraries offered by educational institutions, we have access to an ever-expanding collection of books and manuals. Whether for educational, professional, or personal purposes, these digital resources serve as valuable tools for continuous learning and self-improvement. So why not take advantage of the vast world of Nikon D100 Manual books and manuals for download and embark on your journey of knowledge?

FAQs About Nikon D100 Manual Books

What is a Nikon D100 Manual PDF? A PDF (Portable Document Format) is a file format developed by Adobe that preserves the layout and formatting of a document, regardless of the software, hardware, or operating system used to view or print it. **How do I create a Nikon D100 Manual PDF?** There are several ways to create a PDF: Use software like Adobe Acrobat, Microsoft Word, or Google Docs, which often have built-in PDF creation tools. Print to PDF: Many applications and operating systems have a "Print to PDF" option that allows you to save a document as a PDF file instead of printing it on paper. Online converters: There are various online tools that can convert different file types to PDF. **How do I edit a Nikon D100 Manual PDF?** Editing a PDF can be done with software like Adobe Acrobat, which allows direct editing of text, images, and other elements within the PDF. Some free tools, like PDFescape or Smallpdf, also offer basic editing capabilities. **How do I convert a Nikon D100 Manual PDF to another file format?** There are multiple ways to convert a PDF to another format: Use online converters like Smallpdf, Zamzar, or Adobe Acrobats export feature to convert PDFs to formats like Word, Excel, JPEG, etc. Software like Adobe Acrobat, Microsoft Word, or other PDF editors may have options to export or save PDFs in different formats. **How do I password-protect a Nikon D100 Manual PDF?** Most PDF editing software allows you to add password protection. In Adobe Acrobat, for instance, you can go to "File" -> "Properties" -> "Security" to set a password to restrict access or editing capabilities. Are there any free alternatives to Adobe Acrobat for working with PDFs? Yes, there are many free alternatives for working with PDFs, such as: LibreOffice: Offers PDF editing features. PDFsam: Allows splitting, merging, and editing PDFs. Foxit Reader: Provides basic PDF viewing and editing capabilities. How do I compress a PDF file? You can use online tools like Smallpdf, ILovePDF, or desktop software like Adobe Acrobat to compress PDF files without significant quality loss. Compression reduces the file size, making it easier to share and download. Can I fill out forms in a PDF file? Yes, most PDF viewers/editors like Adobe Acrobat, Preview (on Mac), or various

online tools allow you to fill out forms in PDF files by selecting text fields and entering information. Are there any restrictions when working with PDFs? Some PDFs might have restrictions set by their creator, such as password protection, editing restrictions, or print restrictions. Breaking these restrictions might require specific software or tools, which may or may not be legal depending on the circumstances and local laws.

Find Nikon D100 Manual :

nikon d5000 expanded guide expanded guides

nikon d5000 beginners guide

nikon best manual lenses

nikon f100 instruction manual

nikon af zoom nikkor ed 80 200 2 8d service repair manual

~~nikon 24-70 manual~~

nieuw europees constitutioneel recht staatsrechtconferentie 1991

niet noodzakelijk met instemming moderne deense poezie

night study guide the answer key

nikon p80 manual

nintendo dsi operations manual troubleshooting

nieuwe drentse volksalmanak 1974 cultureel jaarboek voor drenthe

nikon d600 from snapshots to great shots

nicholas sparks book

night disco club lisbon

Nikon D100 Manual :

self introductions with tips and examples indeed com - Nov 07 2022

web jun 2 2023 1 summarize your professional standing the first sentence of your self introduction should include your name job title or experience if you re unemployed and seeking a job you might mention your educational degree certification level or current place in your job search for example

6 introduction email template examples how to write one - Dec 08 2022

web aug 10 2022 here is an email template you may use to introduce yourself to a team member at a new job hi name i

appreciate we have already had a brief introduction but i wanted to drop you a quick email to show how excited i am to work with you here

self introduction email 14 examples and template flowrite - Aug 16 2023

web how to introduce yourself in an email with 14 samples and a template learn how to introduce yourself in an email as a new employee for a job to clients team colleagues or business partners with the help of our self introduction email samples

how to introduce yourself at work with tips and examples - Feb 10 2023

web mar 10 2023 how to introduce yourself to new coworkers regardless of how your new company handles introductions seeking opportunities to introduce yourself properly can establish a solid foundation for a happy and rewarding work life here are some tips to help you make introductions to colleagues at your new workplace 1 ask questions

how to introduce yourself in an email professionally - Aug 04 2022

web nov 28 2022 1 craft a self explanatory subject line before opening your email the recipient will read the subject line this needs to be clear direct and self explanatory if you are writing about a new job role a promotion a leave request or a sales pitch explicitly state it related 45 email greetings for the workplace 2 refer to a mutual connection

how to introduce yourself in an email with examples - Jul 03 2022

web nov 14 2022 a self introduction email is a message sent to someone you have never met with information about who you are the purpose of the email is usually a request such as asking for information about a job asking for

how to introduce yourself in an email with examples - Jan 09 2023

web career advice how to introduce yourself in an email with examples how to introduce yourself in an email with examples there are numerous situations that require you to know how to introduce yourself in an email these could include looking for a new job seeking information or making a connection

how to introduce yourself over email indeed com - Jun 02 2022

web jul 21 2022 in this article we ll show you how to best introduce yourself in an email and provide an example what is an introductory email an introductory email is a correspondence that makes initial contact with potential employers clients and collaborators explaining who you are and how you can help them

7 email templates you need when you start a new job - Jun 14 2023

web jan 26 2023 send these introduction emails when you start a new job to show your new coworkers clients and everyone else that you re looking forward to working with them hit the ground running and impress your coworkers from the start

how to introduce yourself professionally in an email with samples - Mar 31 2022

web jan 10 2023 knowing how to make a great self introduction through a professionally written email is the key to finding a job fast briefly summarize your skills and experience and explain why you are interested in the position and why you would

be

[how to introduce yourself in an email with examples science](#) - Sep 05 2022

web career how to introduce yourself in an email with examples an introduction email is a great way to make a strong first impression here are some tips and templates for introducing yourself by krista brown are you looking for a new job excited about taking a class expanding your clientele

[how to introduce yourself in an email examples people ai](#) - Jan 29 2022

web new employee self introduction email sending a personal introduction email to your team as a new hire is relatively common it is typically the first step toward creating rapport with the people you ll be working with you might send an employee introduction email to your immediate team directorate or an even larger group

how to introduce yourself professionally with examples - Oct 06 2022

web jul 31 2023 professional introduction examples here are three examples of professional introductions example 1 introducing yourself in an interview keep your introduction short and simple to hold your audience s attention example my name is priya and i enjoy promoting small companies to help them increase their profits i m

[how to introduce yourself in an email 24 templates to use](#) - Dec 28 2021

web dec 10 2020 an email to promote a new product or service is basically an introduction email to something new and newsworthy your company has done try to avoid sounding overly promotional and simply introduce your product or service while giving the recipient a valid reason why they should care

make a good impression with a self introduction email to glassdoor - Jul 15 2023

web jul 26 2022 writing a self introduction email to your team is important because it shows your enthusiasm to get to know everybody it s a great way to give your coworkers some background information about yourself and explain what role you re taking on

how to introduce yourself professionally casually examples - May 01 2022

web sep 5 2023 look at these typical challenging tasks of a new employee send an introduction email to the new team write an introduction paragraph about yourself for the newsletter prepare an about me paragraph for the website don t panic you already know the most important thing the context plus you re not the first person tasked with

[9 email templates you ll need when you start a new job with samples](#) - Apr 12 2023

web apr 11 2023 self introduction in your new job is especially important if you are working in an mnc or any medium sized company you ll most likely be working cross functionally with different departments on a regular basis self introduction email to colleagues should be short and informative quick introduction of yourself your name and your job title

[perfect email introduction 11 examples for any scenario](#) - Feb 27 2022

web aug 23 2023 self introduction email sample a self introduction is a great way to make a good first impression with a new contact such emails are useful in starting a conversation building a rapport and warming them up it helps to let them know who you are what you do and why they should talk to you here s a sample subject hey first

6 examples of how to introduce yourself in an email enhancv - Mar 11 2023

web nov 18 2022 learn how to send a great self introduction email to potential employers clients and colleagues effective introductions use captivating email subject lines a formal greeting and a concise and informative body end the email with a call to action such as requesting a meeting or responding to your attached resume and cover letter

introducing yourself 3 email introduction examples indeed - May 13 2023

web aug 28 2023 learn about self introduction emails and how to introduce yourself via email plus review an email template and introduction examples for three scenarios

six steps to excellence in ministry kenneth copeland ministries - Apr 10 2023

excellence in ministry requires an excellent spirt in every area this includes the conduct of those who work with you in ministry as well as the operations of your place of ministry for example if your ministry is in your see more

six steps to excellence in ministry google books - Dec 26 2021

web may 1 2012 whether your goal is to be an excellent pastor or a first rate engineer

six steps to excellence in ministry kindle edition - Oct 24 2021

amazon com customer reviews six steps to excellence in ministry - Jul 01 2022

web from the united states kofijeffsteudler reviewed in the united states on january 19

six steps to excellence in ministry kindle edition amazon ca - May 31 2022

web may 1 2012 whether your goal is to be an excellent pastor or a first rate engineer

six steps to excellence in ministry study guide - May 11 2023

we already know that faith comes by hearing and hearing by the word of god romans 10 17 nkjv so to achieve excellence in see more

six steps to excellence in ministry amazon com tr - Oct 04 2022

web arama yapmak istediğiniz kategoriye seçin

six steps to excellence in ministry open library - Mar 29 2022

web apr 30 2008 six steps to excellence in ministry by 1983 kenneth copeland

six steps to excellence in ministry paperback 1 may 2012 - Sep 03 2022

web may 1 2012 buy six steps to excellence in ministry by copeland kenneth isbn

six steps to excellence in ministry kindle edition amazon co uk - Nov 24 2021

web sep 23 2019 to honor god and find success in your calling begin by following these

six steps to excellence in ministry paystack - Apr 29 2022

web six steps to excellence in ministry by kenneth copeland free pdf download books

six steps to excellence in ministry ebook christianbook com - Aug 02 2022

web there is no shortage of ministers who desire to achieve excellence but only a few dare

six steps to excellence in ministry kobo com - Feb 25 2022

web there is no shortage of ministers who desire to achieve excellence but only a few dare

six steps to excellence in ministry google books - Nov 05 2022

web whether your goal is to be an excellent pastor or a first rate engineer kenneth copeland

six steps to excellence in ministry kindle edition - Jan 27 2022

web six steps to excellence in ministry kenneth copeland kenneth copeland publications

[six steps to excellence in ministry christianbook com](#) - Mar 09 2023

web aug 2 2014 description why do so many demand excellence in ministry yet so few

six steps to excellence in ministry amazon com - Jun 12 2023

the path to excellence in life and in ministry is always the same follow the leadership of the holy spirit let s face it your mind likes to do a lot of its own planning but if you lean on your own understanding it s see more

[six steps to excellence in ministry kcm blog](#) - Aug 14 2023

a ministry of excellence is a ministry that does not plan to fail whatever you have been called to pastor apostle prophet

evangelist teacher or any other role in the body of christ the lord will not revoke the assignment given to you romans 11 29

so you are responsible for how you handle your calling see more

six steps to excellence in ministry study guide amazon com tr - Dec 06 2022

web six steps to excellence in ministry study guide copeland kenneth amazon com tr

[six steps to excellence in ministry kenneth copeland](#) - Jul 13 2023

what does it mean to have singleness of purpose it means to be single minded and driven in one direction if you drive a car without a single see more

six steps to excellence in ministry google books - Feb 08 2023

web may 1 2012 there is no shortage of ministers who desire to achieve excellence but

six steps to excellence in ministry apple books - Jan 07 2023

web whether your goal is to be an excellent pastor or a first rate engineer kenneth copeland

6 steps to excellence in ministry by kenneth copeland - Sep 22 2021

complete index farbe mitp grafik 3826613066 blogger - Nov 12 2022

web one method is the novel able index farbe mitp grafik by jim krause this book gives the reader new knowledge and experience this online book is made in simple word it makes the reader is easy to know the meaning of the contentof this book

index farbe mitp grafik by jim krause rhur impacthub net - Apr 05 2022

web objekte und farben adobe de lowy global diplomacy index maxima manual 12 grafische darstellung farben die mit beginnen v spycolor verwenden von farben aus importierten grafiken in indesign atelier tiller malerei grafik design farbgestaltung icons farbe in photoshop ändern nexti support index farbe mitp grafik de jim krause

index farbe mitp grafik jim krause amazon de books - Jul 20 2023

web hello sign in account lists returns orders shopping basket

index farbe mitp grafik help environment harvard edu - Jul 08 2022

web index farbe mitp grafik thank you for downloading index farbe mitp grafik as you may know people have search numerous times for their chosen readings like this index farbe mitp grafik but end up in malicious downloads rather than enjoying a good book with a cup of tea in the afternoon instead they cope with some infectious virus inside

index farbe mitp grafik wrbb neu edu - Oct 11 2022

web index farbe mitp grafik what you considering to read index farbe mitp grafik 2021 12 07 foley webb visualizing the invisible with the human body univ of california press an anthology of writings on exhibition practice from artists critics curators and art historians plus artist curators it addresses the contradictions posed by museum and

key economic indicators ministry of trade and industry - Jun 19 2023

web singstat statistics learn more ministry of manpower mom statistics learn more monetary authority of singapore mas statistics learn more key statistical data such as on the labour market productivity industrial production investments retail activity tourism and trade are available here

index farbe mitp grafik help environment harvard edu - Mar 16 2023

web this index farbe mitp grafik as one of the most lively sellers here will certainly be in the midst of the best options to review fashion and postcolonial critique elke gaugele 2019 fashion and postcolonial critique outlines a critical global fashion theory from a

index farbe mitp grafik jim krause amazon de bücher - Oct 23 2023

web 10 46 3 gebraucht ab 10 46 mit seinen über 1100 farbkombinationen ist dieses handliche buch nahezu einzigartig jim

krause demonstriert die wirkung unterschiedlichster farbabstufungen und zeigt zahlreiche kombinationsmöglichkeiten von farben auf

index farbe mitp grafik pdf algoritmi pybossa com - May 06 2022

web introduction index farbe mitp grafik pdf free bridges to scandinavia andrea meregalli 2016 progress in the chemistry of organic natural products 2011 10 01 the volumes of this classic series now referred to simply as zechmeister after its founder l zechmeister have appeared under the springer imprint ever since the series was

6 1 325 21680 5 35 1 dv dvh hdu 6 37 0 5 - Jan 14 2023

web rpslodwlrq ri wkh rqvxphu 3ulfh qgh lq wkh rqwh w ri wkh 29 3dqghplf 7kh 29 sdqghplf uhgxfhg dqg ru vxvshqghg wkh surylvlrq ri vohfwhg jrrgv

index farbe mitp grafik by jim krause rhur impacthub net - Aug 09 2022

web oct 5 2023 may 19th 2020 index farbe mitp grafik jim krause isbn 9783826613067 kostenloser versand für alle bücher mit versand und verkauf duch index farbe über 1100 farbkombinationen farbtöne von june 4th 2020 get this from a library index farbe über 1100 farbkombinationen farbtöne von natürlich bis progressiv alle farben

colour scale singapore international photography festival - Feb 15 2023

web artist statement when i became a mother to anita in 2019 i began to turn the camera on myself in

index farbe mitp grafik pdf cyberlab sutd edu sg - Dec 13 2022

web index farbe mitp grafik principles of decoration in the roman world jan 16 2020 this book explores the manner in which architectural settings and action contexts influenced the perception of decoration in the roman world crucial to the relationship between ancient viewers and media was the concept of

9783826613067 index farbe mitp grafik zvab - Sep 22 2023

web jim krause demonstriert die wirkung unterschiedlichster farbabstufungen und zeigt zahlreiche kombinationsmöglichkeiten von farben auf die angaben der jeweiligen cmyk und rgb werte machen dieses buch zu einem praktischen helfer der auf jeden designer desktop gehört

index farbe mitp grafik discover designlights org - Sep 10 2022

web 2 index farbe mitp grafik 2023 08 04 an oversized form for easy visual review and bleeding to the edge of the page edge indexing for quick access by providing variations for each palette krause ensures that creatives can find the best color selection for each project s needs this book serves as the perfect resource for teachers

index farbe mitp grafik pdf vla ramtech - Jun 07 2022

web may 5 2023 index farbe mitp grafik pdf is available in our digital library an online entrance to it is set as public so you can download it instantly our digital library saves in combination

9783826613067 index farbe mitp grafik jim krause - May 18 2023

web index farbe mitp grafik finden sie alle bücher von jim krause bei der büchersuchmaschine eurobuch at können sie antiquarische und neubücher vergleichen und sofort zum bestpreis bestellen 9783826613067 so macht sparen spaß bis zu 70 ggü neupreis index farbe Über 1100 farbkombinationen

index farbe mitp grafik uniport edu ng - Mar 04 2022

web index farbe mitp grafik 1 1 downloaded from uniport edu ng on december 31 2022 by guest index farbe mitp grafik when people should go to the book stores search establishment by shop shelf by shelf it is in reality problematic this is why we present the ebook compilations in this website it will completely ease you to see guide index

market reports industry trends singapore edb - Apr 17 2023

web fintech innovation in singapore sustaining growth in uncertain times produced by pwc edb and sfa this report covers emerging trends and challenges for fintechns and provides detailed information on how singapore provides unique value propositions to help fintechns stay resilient and position for sustainable growth read more

index farbe mitp grafik by jim krause secure4 khronos - Aug 21 2023

web jun 18 2023 appropriate as proficiently as basic pretension to get those all index farbe mitp grafik by jim krause is accessible in our text gathering an online access to it is set as public so you can get it immediately it will tremendously relaxation you to see handbook index farbe mitp grafik by jim krause as you such as if you associate