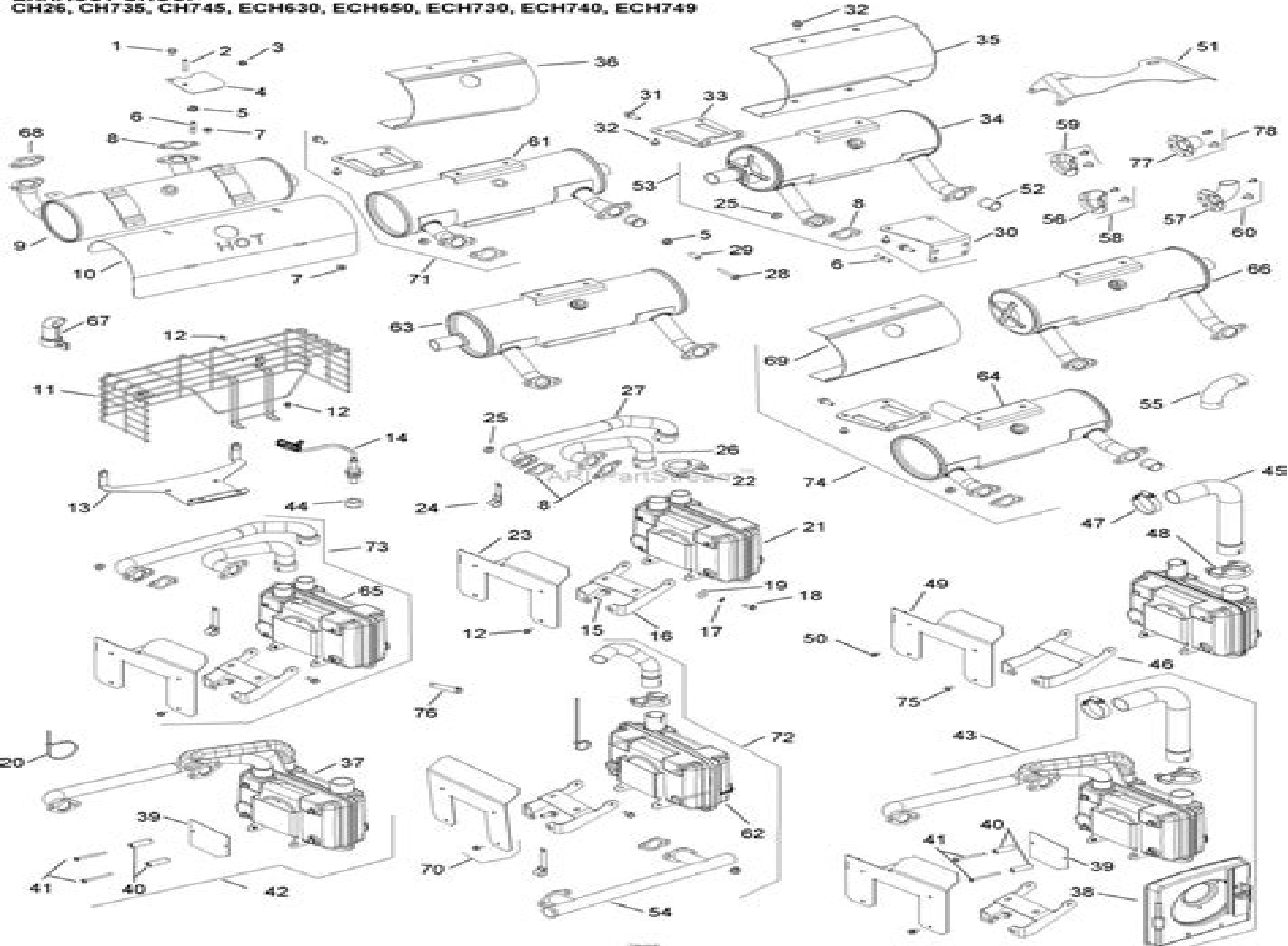


**EXHAUST GROUP
CH26, CH735, CH745, ECH630, ECH650, ECH730, ECH740, ECH749**



ILLUSTRATIONS ARE REPRESENTATIVE AND ARE NOT INTENDED TO SHOW ALL DETAILS FOR EACH COMPONENT

Parts Manual Vermeer 504 Super F

A Loxley



Parts Manual Vermeer 504 Super F:

Farmers and Consumers Market Bulletin ,2008 Wallaces Farmer ,1980 **Prairie Farmer** ,1986 *The Prairie Farmer* ,1959 *Union Agriculturist and Western Prairie Farmer* ,1987 Master Parts Manual Tecumseh Products Company. Engine and Gear Service Division,1982 Master Replacement Parts Service Manual Auto Parts Company,1922
Motor's Flat Rate and Parts Manual. 41st Edition L. C. Forier (ed),1969 *Service Manual and Spare Parts List* Electrolux Group,1948 **Seeburg Model 220 and 222 of 1959 Service and Parts Manual** Seeburg Company Staff,1984-03-01 **Motor's Flat Rate and Parts Manual** Harold Frederick Blanchard,1954

Decoding **Parts Manual Vermeer 504 Super F**: Revealing the Captivating Potential of Verbal Expression

In an era characterized by interconnectedness and an insatiable thirst for knowledge, the captivating potential of verbal expression has emerged as a formidable force. Its power to evoke sentiments, stimulate introspection, and incite profound transformations is genuinely awe-inspiring. Within the pages of "**Parts Manual Vermeer 504 Super F**," a mesmerizing literary creation penned by a celebrated wordsmith, readers embark on an enlightening odyssey, unraveling the intricate significance of language and its enduring impact on our lives. In this appraisal, we shall explore the book's central themes, evaluate its distinctive writing style, and gauge its pervasive influence on the hearts and minds of its readership.

https://correiodobrasil.blogosfero.cc/About/virtual-library/index.jsp/Oppenheim_And_Schafer_Solutions_Manual.pdf

Table of Contents Parts Manual Vermeer 504 Super F

1. Understanding the eBook Parts Manual Vermeer 504 Super F
 - The Rise of Digital Reading Parts Manual Vermeer 504 Super F
 - Advantages of eBooks Over Traditional Books
2. Identifying Parts Manual Vermeer 504 Super F
 - Exploring Different Genres
 - Considering Fiction vs. Non-Fiction
 - Determining Your Reading Goals
3. Choosing the Right eBook Platform
 - Popular eBook Platforms
 - Features to Look for in an Parts Manual Vermeer 504 Super F
 - User-Friendly Interface
4. Exploring eBook Recommendations from Parts Manual Vermeer 504 Super F
 - Personalized Recommendations
 - Parts Manual Vermeer 504 Super F User Reviews and Ratings
 - Parts Manual Vermeer 504 Super F and Bestseller Lists

5. Accessing Parts Manual Vermeer 504 Super F Free and Paid eBooks
 - Parts Manual Vermeer 504 Super F Public Domain eBooks
 - Parts Manual Vermeer 504 Super F eBook Subscription Services
 - Parts Manual Vermeer 504 Super F Budget-Friendly Options
6. Navigating Parts Manual Vermeer 504 Super F eBook Formats
 - ePub, PDF, MOBI, and More
 - Parts Manual Vermeer 504 Super F Compatibility with Devices
 - Parts Manual Vermeer 504 Super F Enhanced eBook Features
7. Enhancing Your Reading Experience
 - Adjustable Fonts and Text Sizes of Parts Manual Vermeer 504 Super F
 - Highlighting and Note-Taking Parts Manual Vermeer 504 Super F
 - Interactive Elements Parts Manual Vermeer 504 Super F
8. Staying Engaged with Parts Manual Vermeer 504 Super F
 - Joining Online Reading Communities
 - Participating in Virtual Book Clubs
 - Following Authors and Publishers Parts Manual Vermeer 504 Super F
9. Balancing eBooks and Physical Books Parts Manual Vermeer 504 Super F
 - Benefits of a Digital Library
 - Creating a Diverse Reading Collection Parts Manual Vermeer 504 Super F
10. Overcoming Reading Challenges
 - Dealing with Digital Eye Strain
 - Minimizing Distractions
 - Managing Screen Time
11. Cultivating a Reading Routine Parts Manual Vermeer 504 Super F
 - Setting Reading Goals Parts Manual Vermeer 504 Super F
 - Carving Out Dedicated Reading Time
12. Sourcing Reliable Information of Parts Manual Vermeer 504 Super F
 - Fact-Checking eBook Content of Parts Manual Vermeer 504 Super F
 - Distinguishing Credible Sources
13. Promoting Lifelong Learning

- Utilizing eBooks for Skill Development
 - Exploring Educational eBooks
14. Embracing eBook Trends
- Integration of Multimedia Elements
 - Interactive and Gamified eBooks

Parts Manual Vermeer 504 Super F Introduction

Parts Manual Vermeer 504 Super F Offers over 60,000 free eBooks, including many classics that are in the public domain. Open Library: Provides access to over 1 million free eBooks, including classic literature and contemporary works. Parts Manual Vermeer 504 Super F Offers a vast collection of books, some of which are available for free as PDF downloads, particularly older books in the public domain. Parts Manual Vermeer 504 Super F : This website hosts a vast collection of scientific articles, books, and textbooks. While it operates in a legal gray area due to copyright issues, its a popular resource for finding various publications. Internet Archive for Parts Manual Vermeer 504 Super F : Has an extensive collection of digital content, including books, articles, videos, and more. It has a massive library of free downloadable books. Free-eBooks Parts Manual Vermeer 504 Super F Offers a diverse range of free eBooks across various genres. Parts Manual Vermeer 504 Super F Focuses mainly on educational books, textbooks, and business books. It offers free PDF downloads for educational purposes. Parts Manual Vermeer 504 Super F Provides a large selection of free eBooks in different genres, which are available for download in various formats, including PDF. Finding specific Parts Manual Vermeer 504 Super F, especially related to Parts Manual Vermeer 504 Super F, might be challenging as theyre often artistic creations rather than practical blueprints. However, you can explore the following steps to search for or create your own Online Searches: Look for websites, forums, or blogs dedicated to Parts Manual Vermeer 504 Super F, Sometimes enthusiasts share their designs or concepts in PDF format. Books and Magazines Some Parts Manual Vermeer 504 Super F books or magazines might include. Look for these in online stores or libraries. Remember that while Parts Manual Vermeer 504 Super F, sharing copyrighted material without permission is not legal. Always ensure youre either creating your own or obtaining them from legitimate sources that allow sharing and downloading. Library Check if your local library offers eBook lending services. Many libraries have digital catalogs where you can borrow Parts Manual Vermeer 504 Super F eBooks for free, including popular titles. Online Retailers: Websites like Amazon, Google Books, or Apple Books often sell eBooks. Sometimes, authors or publishers offer promotions or free periods for certain books. Authors Website Occasionally, authors provide excerpts or short stories for free on their websites. While this might not be the Parts Manual Vermeer 504 Super F full book , it can give you a taste of the authors writing style. Subscription Services Platforms like Kindle Unlimited or Scribd offer subscription-based

access to a wide range of Parts Manual Vermeer 504 Super F eBooks, including some popular titles.

FAQs About Parts Manual Vermeer 504 Super F Books

What is a Parts Manual Vermeer 504 Super F PDF? A PDF (Portable Document Format) is a file format developed by Adobe that preserves the layout and formatting of a document, regardless of the software, hardware, or operating system used to view or print it. **How do I create a Parts Manual Vermeer 504 Super F PDF?** There are several ways to create a PDF: Use software like Adobe Acrobat, Microsoft Word, or Google Docs, which often have built-in PDF creation tools. Print to PDF: Many applications and operating systems have a "Print to PDF" option that allows you to save a document as a PDF file instead of printing it on paper. Online converters: There are various online tools that can convert different file types to PDF. **How do I edit a Parts Manual Vermeer 504 Super F PDF?** Editing a PDF can be done with software like Adobe Acrobat, which allows direct editing of text, images, and other elements within the PDF. Some free tools, like PDFescape or Smallpdf, also offer basic editing capabilities. **How do I convert a Parts Manual Vermeer 504 Super F PDF to another file format?** There are multiple ways to convert a PDF to another format: Use online converters like Smallpdf, Zamzar, or Adobe Acrobats export feature to convert PDFs to formats like Word, Excel, JPEG, etc. Software like Adobe Acrobat, Microsoft Word, or other PDF editors may have options to export or save PDFs in different formats. **How do I password-protect a Parts Manual Vermeer 504 Super F PDF?** Most PDF editing software allows you to add password protection. In Adobe Acrobat, for instance, you can go to "File" -> "Properties" -> "Security" to set a password to restrict access or editing capabilities. Are there any free alternatives to Adobe Acrobat for working with PDFs? Yes, there are many free alternatives for working with PDFs, such as: LibreOffice: Offers PDF editing features. PDFsam: Allows splitting, merging, and editing PDFs. Foxit Reader: Provides basic PDF viewing and editing capabilities. How do I compress a PDF file? You can use online tools like Smallpdf, ILovePDF, or desktop software like Adobe Acrobat to compress PDF files without significant quality loss. Compression reduces the file size, making it easier to share and download. Can I fill out forms in a PDF file? Yes, most PDF viewers/editors like Adobe Acrobat, Preview (on Mac), or various online tools allow you to fill out forms in PDF files by selecting text fields and entering information. Are there any restrictions when working with PDFs? Some PDFs might have restrictions set by their creator, such as password protection, editing restrictions, or print restrictions. Breaking these restrictions might require specific software or tools, which may or may not be legal depending on the circumstances and local laws.

Find Parts Manual Vermeer 504 Super F :

oppenheim and schaffer solutions manual

operational manual for sokkia power set

operator manual mph bee iii radar

operating manual averta alarm system

opnametechniek wenk hobbygidsen 306 fotografie 2

operators manual massey ferguson 492

operational manual for restaurant

opel vectra c repair manual 2003

opinion writing graphic organizer

operations research taha solutions manual 9th edition

operations management heizer render 10th edition solutions manual

operators manual for jcb 160 skid steer

opposing viewpoints in american history from colonial time to reconstruction

operation manual for volvo 290

optical constants of crystalline and amorphous semiconductors numerical data and graphical information

Parts Manual Vermeer 504 Super F :

9783863515225 gegen drachen reden eines freibürgers - Jul 04 2023

web gegen drachen reden eines freibürgers finden sie alle bücher von lodemann jürgen bei der büchersuchmaschine

eurobuch de können sie antiquarische und neubücher

[gegen drachen reden eines freibürgers by jürgen lodemann](#) - Dec 17 2021

web gegen drachen reden eines freibürgers by jürgen lodemann gegen drachen reden eines freibürgers by jürgen lodemann

full text of caspar bruschius ein beitr zur

amazon co uk customer reviews gegen drachen reden eines - Nov 27 2022

web find helpful customer reviews and review ratings for gegen drachen reden eines freibürgers german edition at amazon com read honest and unbiased product

9783863515225 gegen drachen reden eines freibürgers - Oct 27 2022

web gegen drachen reden eines freibürgers u kunt hier alle boeken van lodemann jürgen opzoeken bij euro boek nl kunt u

antiquarische und neue boeken vergelijken en direct

gegen drachen reden eines freiburgers 2023 - Jun 03 2023

web gegen drachen reden eines freiburgers is available in our digital library an online access to it is set as public so you can download it instantly our digital library saves in

gegen drachen reden eines freibürgers trotz alledem - Aug 05 2023

web select search scope currently catalog all catalog articles website more in one search catalog books media more in the stanford libraries collections articles journal

reden gegen den krieg drewermann eugen amazon de bücher - Mar 20 2022

web reden gegen den krieg taschenbuch 1 januar 2002 von eugen drewermann autor 5 0 5 0 von 5 stern 1

sternebewertung alle formate und editionen anzeigen ein

wider denunziatorische kommunikation volksfront statt querfront - Feb 16 2022

web einer umfrage unter teilnehmenden an friedens antifaschistischen oder aktionen der linken zum kern des kapitalismus auch nicht eine mehrheit prompt und unbeirrt

drewermann rede gegen krieg freiburg schwarzwald de - Jan 18 2022

web jun 2 2022 eugen drewermann hat in seiner rede gegen den krieg den ukrainekrieg scharf verurteilt eine große redeyoutu be 0yumurioy für die man sich die

gegen drachen reden eines freibürgers jürgen lodemann - Jan 30 2023

web gegen drachen reden eines freibürgers jürgen lodemann von lodemann jürgen verfasser materialtyp computerdatei sprache deutsch verlag tübingen klöpfer

gegen drachen reden eines freibürgers by jürgen lodemann - Sep 25 2022

web geschichte particip app ch digital resources find digital datasheets resources 6edcfef gegen drachen reden eines freiburgers online fipps 09 2017 by fipps freiburg issuu

gegen drachen reden eines freibürgers by jürgen lodemann - Jun 22 2022

web petrus und die kirche als pdf 903 kb pdf freiburger wochenbericht de l basler straße 88 l 6edcfef gegen drachen reden eines freiburgers online full text of caspar bruschius ein

gegen drachen reden eines freiburgers wrbb neu edu - May 22 2022

web comprehending as competently as concurrence even more than further will manage to pay for each success neighboring to the pronouncement as competently as perception of

details zu gegen drachen reden eines freibürgers - Dec 29 2022

web gegen gier und schwindel bei stuttgart 21 gegen den neu alten nationalwahn gegen folgenreiches versagen von

germanisten geologen atom experten und

gegen drachen reden eines freibürgers hardcover - Apr 01 2023

web gegen drachen reden eines freibürgers on amazon com au free shipping on eligible orders gegen drachen reden eines freibürgers

gegen drachen reden eines freibürgers google books - Oct 07 2023

web feb 20 2017 klöpfer meyer verlag feb 20 2017 literary collections 288 pages das feurige drachenbuch sammelt unter der parole von 1848 trotz alledem herzhaft kämpferische reden von jürgen

gegen drachen reden eines freibürgers gebundene ausgabe - Sep 06 2023

web gegen drachen reden eines freibürgers lodemann jürgen isbn 9783863515225 kostenloser versand für alle bücher mit versand und verkauf duch amazon

gegen drachen reden eines freibürgers hardcover abebooks - May 02 2023

web gegen drachen reden eines freibürgers by lodemann jürgen isbn 10 3863515226 isbn 13 9783863515225 kloepfer und meyer 2017 hardcover

gegen drachen reden eines freibürgers jürgen lodemann - Feb 28 2023

web gegen gier und schwindel bei stuttgart 21 gegen den neu alten nationalwahn gegen folgenreiches versagen von germanisten geologen atom experten und

gegen drachen reden eines freibürgers 2022 - Jul 24 2022

web gegen drachen reden eines freibürgers getting the books gegen drachen reden eines freibürgers now is not type of inspiring means you could not unaided going

gegen drachen reden eines freibürgers forum consigncloud - Apr 20 2022

web gegen drachen reden eines freibürgers downloaded from forum consigncloud com by guest sage jamari religious individualisation bloomsbury publishing gulp gulp gulp

gegen drachen reden eines freibürgers weft tamu - Aug 25 2022

web it will unconditionally ease you to see guide gegen drachen reden eines freibürgers as you such as by searching the title publisher or authors of guide you in point of fact

i giganti della montagna con espansione online annotato - Sep 04 2022

web i giganti della montagna con espansione online annotato italian edition ebook pirandello luigi amazon es tienda kindle

i giganti della montagna con espansione online an pdf - Feb 26 2022

web i giganti della montagna con espansione online an pirandellian studies luigi pirandello who s who in contemporary world theatre alferi ibsen pirandello mimesis desire and the novel lezioni di drammaturgia luigi pirandello i giganti della montagna

incontri con gli allievi registi dell'accademia nazionale d'arte drammatica

i giganti della montagna con espansione online annotato - Apr 11 2023

web abebooks.com i giganti della montagna con espansione online annotato 9788867581672 and a great selection of similar new used and collectible books available now at great prices

i giganti della montagna con espansione online annotato - Feb 09 2023

web i giganti della montagna con espansione online annotato ebook pirandello luigi amazon.it kindle store

i giganti della montagna film 1989 mymovies.it - Apr 30 2022

web i giganti della montagna un film di mauro bolognini con irene papas flavio bucci commedia italia 1989

pdf epub i giganti della montagna con espansione gratis - Aug 15 2023

web dettagli e book i giganti della montagna con espansione online annotato autore s luigi pirandello titolo i giganti della montagna con espansione online annotato valutazione 4.7 su 5 stelle 30 voti isbn 10 8867581678 isbn 13 9788867581672

lingua italiano formato ebook pdf epub kindle audio html e mobi

amazon ae customer reviews i giganti della montagna con espansione - Jun 01 2022

web find helpful customer reviews and review ratings for i giganti della montagna con espansione online annotato at amazon ae read honest and unbiased product reviews from our users

i giganti della montagna con espansione online pocketbok - Aug 03 2022

web i giganti della montagna con espansione online pirandello luigi amazon se böcker

i giganti della montagna con espansione online luigi pirandello - Mar 10 2023

web acquista online il libro i giganti della montagna con espansione online di luigi pirandello in offerta a prezzi imbattibili su mondadori store

i giganti della montagna con espansione online annotato - Jul 14 2023

web scopri i giganti della montagna con espansione online annotato di pirandello luigi spedizione gratuita per i clienti prime e per ordini a partire da 29 spediti da amazon

i giganti della montagna con espansione online an pdf - Jan 28 2022

web 2 i giganti della montagna con espansione online an 2021 10 13 giangrande dall'atmosfera brechtiana della nuova colonia alla materia religiosa di lazzaro fino all'incompiuto i giganti della montagna le opere raccolte in questo volume la cosiddetta trilogia del mito concludono la parabola artistica e ideologica di luigi pirandello tra le

i giganti della montagna con espansione online an pdf - Jun 13 2023

web lezioni di drammaturgia luigi pirandello i giganti della montagna incontri con gli allievi registi dell'accademia nazionale d'arte drammatica silvio d'amico quando si è qualcuno la favola del figlio cambiato i giganti della montagna who's who in

contemporary world theatre gian francesco malipiero 1882 1973 i giganti della
[i giganti della montagna con espansione online luigi pirandello](#) - Nov 06 2022

web i giganti della montagna con espansione online è un libro di pirandello luigi pubblicato da edimedia firenze isbn
9788867581672

[i giganti della montagna spotify](#) - Dec 27 2021

web listen to i giganti della montagna on spotify artist 4 monthly listeners

i giganti della montagna con espansione online annotato - Jan 08 2023

web mar 16 2019 con espansione online annotato italian edition kindle edition by pirandello luigi download it once and read
it on your kindle device pc phones or tablets use features like bookmarks note taking and highlighting while reading i

i giganti della montagna con espansione online annotato - May 12 2023

web i giganti della montagna con espansione online annotato miękka oprawa 19 marca 2019 wydanie włoski luigi pirandello
autor liczba ocen 24 zobacz wszystkie formaty i wydania oprawa miękka 301 95 zł 1 nowe od 301 95 zł edizione integrale con
introduzione biobibliografica e espansione online

[i giganti della montagna con espansione online annotato](#) - Oct 05 2022

web i giganti della montagna con espansione online annotato pirandello luigi isbn 9788867581672 kostenloser versand für
alle bücher mit versand und verkauf duch amazon

[i giganti della montagna con espansione online annotato](#) - Dec 07 2022

web i giganti della montagna con espansione online annotato pirandello luigi amazon com au books

i giganti della montagna con espansione online annotato - Jul 02 2022

web i giganti della montagna con espansione online annotato pirandello luigi amazon es libros

[i giganti raiplay](#) - Mar 30 2022

web i giganti 2015 italia il racconto delle regioni italiane e delle loro eccellenze imprenditoriali storiche e culturali iniziando
dai giganti verdi gli alberi monumentali d italia testimoni dei territori delle tradizioni e delle bellezze artistiche del bel paese

how to make a face mask without a sewing machine - Jun 04 2023

web the first method is the easiest and fastest way to make a face mask no sewing required but if you re looking to make a
sturdier face mask method 2 or 3 is the way to go

how to make an effective face mask u s news us news health - Dec 18 2021

how to make a face mask creative bloq - Jan 19 2022

step by step guide to making your own face mask bbc news - Apr 02 2023

web apr 4 2020 still if you want to make a mask here are simple step by step instructions from the centers for disease control and prevention on how to do just that whether or

how to make a no sew coronavirus face mask with fabric - Feb 17 2022

12 homemade face mask recipes how to make a - Jan 31 2023

web apr 9 2020 the internet is abuzz with do it yourself diy face mask tutorials and many good samaritans are making masks en masse to help slow the spread of covid 19 a

step by step guide how to diy a cloth face mask airtasker - Sep 26 2022

web jun 25 2021 the first two methods how to make a bandana style face mask and how to make a face mask using a t shirt are super easy and require no sewing at all we ve

how to make a mask out of fabric diy face mask instructions - Jul 05 2023

web may 6 2020 it s now recommended that all americans wear face coverings while in public with guidance from an expert we rounded up everything to make your own as well as

how to make a face mask with fabric with or without sewing - Nov 28 2022

web apr 28 2020 aleksandr zubkov getty images there are different types of protective face masks some are plain like surgical masks some have built in filtration and some are

[how to make a mask with pictures wikihow](#) - Aug 06 2023

web apr 3 2020 how to make a face mask using materials at home pick from 3 options of face mask patterns including a no sew diy face mask and more homemade face mask

everything you need to make your own face mask cnn - Oct 28 2022

web mar 31 2020 there are two types of face masks that can help cut your odds of getting coronavirus n95 masks which are tight fitting and medical grade and then surgical

[14 best diy hair masks of 2022 good housekeeping](#) - Nov 16 2021

how you can make a face mask from home aarp - Jun 23 2022

web jan 13 2021 while medical face masks and respirators are prioritised for health and care workers you might want to try making your own face covering here s our guide to

how to make your own face mask for coronavirus protection - May 23 2022

[how to make a diy face mask for coronavirus time](#) - Apr 21 2022

[how to make a diy face mask family handyman](#) - Dec 30 2022

web apr 9 2020 instructions step 1 sew the two main rectangle pieces together with the right sides of the fabric the side you want to see facing each other sew almost all the way

[9 diy face mask recipes to make your skin glow self](#) - Sep 07 2023

web jan 13 2021 no sewing necessary let s start with a simple one the government advises washing your hands thoroughly or using hand sanitiser before putting on and after taking

how to make your own face mask whether or not you know how - Jul 25 2022

web nov 30 2022 the avocado in the mask adds instant nourishment ingredients 1 cup rice 2 cups water 1 2 avocado directions soak the rice in water then use a sieve to

how to make masks easy new way to make a mask for - Oct 08 2023

web jan 22 2012 this book teaches new techniques that anyone can use to create fabulous masks easily and quickly make one of the 12 popular mask styles in the book following the detailed instructions and over 300 step by step photos or use these easy new

[how to make a face mask covid 19 face mask cdc face](#) - Mar 21 2022

step by step guide to making your own face mask bbc news - Oct 16 2021

3 ways to make your own cdc approved protective - May 03 2023

web may 20 2020 do homemade cloth face coverings work a person can try wearing a cloth face covering if they are taking care of someone who may have covid 19 the cdc

[how to make a cdc approved face mask for](#) - Mar 01 2023

web may 14 2020 health how to sew a quick and easy cloth face mask with medical grade masks in short supply try making a diy alternative by tanya bricking leach aarp en

[how to make face masks for coronavirus covid 19 medical](#) - Aug 26 2022

web apr 28 2020 learn how to make your face mask as safe and effective as possible from u s news and world report the cdc says any mask is better than nothing follow