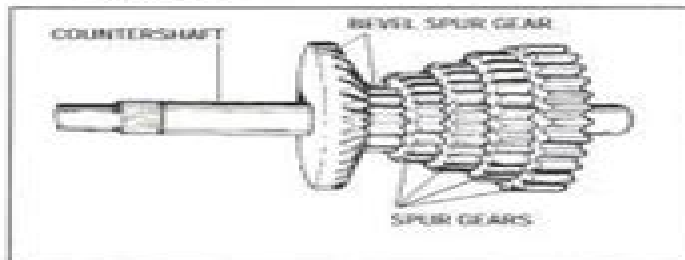
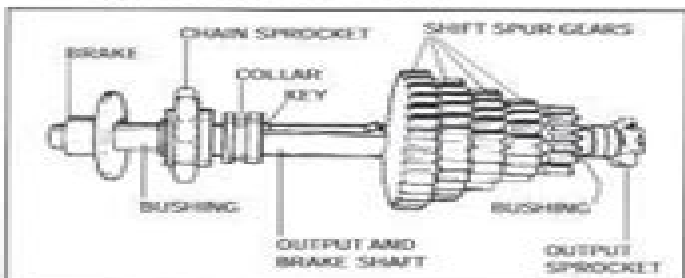


### C. DISASSEMBLY OF UNIT

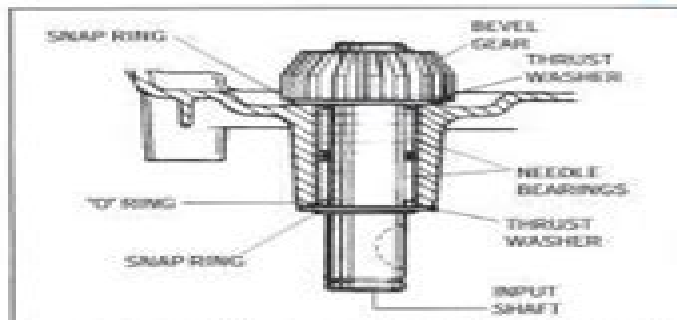
1. Remove gear and shaft assemblies from case half of the transmission by lifting the two shafts out of the bearing supports taking care not to disturb drive chain relationship with hubs on sprockets.



2. Remove bevel spur gear combination and spur gears from the countershaft; these gears are splined to the countershaft.



3. Remove the output sprocket and brake disc from the output shaft. Remove the bushings, shift spur gears, chain sprocket, collar and keys.



Input shaft removal for 700 series in-line transmission.

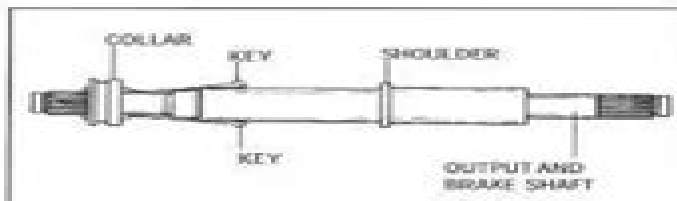
4. Remove snap ring from input shaft; remove bevel gear and pull shaft through case.
5. Input shaft needle bearings should be installed flush to .005 below bearing bore surfaces from inside and outside case.

### D. INSPECTION AND REPAIR

Examine all parts after removing grease with cleaning solvent. Replace damaged parts.

### E. ASSEMBLY OF 700 SERIES IN-LINE TRANSMISSION

1. Install and secure the input shaft and bevel gear in the case. See Paragraphs 4 & 5 under "Disassembly Instructions" and reverse the order.



2. Install collar and keys on output shaft. Thick side of collar **MUST** face shoulder on shaft.

**NOTE:** All Needle bearings are lubricated with E.P. Grease. **DO NOT USE BENTONITE** on needle bearings. For maximum gear train life use only Bentonite grease on all shafts and gears, Tecumseh part number 788067B.

# Peerless Transmission Manual

**Léo Pomar**



## **Peerless Transmission Manual:**

Thank you totally much for downloading **Peerless Transmission Manual**. Most likely you have knowledge that, people have see numerous time for their favorite books next this Peerless Transmission Manual, but end happening in harmful downloads.

Rather than enjoying a fine book in the same way as a cup of coffee in the afternoon, on the other hand they juggled next some harmful virus inside their computer. **Peerless Transmission Manual** is straightforward in our digital library an online right of entry to it is set as public consequently you can download it instantly. Our digital library saves in merged countries, allowing you to get the most less latency times to download any of our books following this one. Merely said, the Peerless Transmission Manual is universally compatible when any devices to read.

[https://correiodobrasil.blogosfero.cc/About/detail/Download\\_PDFS/Mercedes\\_Benz\\_500\\_Sel\\_Repair\\_Manual\\_1985.pdf](https://correiodobrasil.blogosfero.cc/About/detail/Download_PDFS/Mercedes_Benz_500_Sel_Repair_Manual_1985.pdf)

## **Table of Contents Peerless Transmission Manual**

1. Understanding the eBook Peerless Transmission Manual
  - The Rise of Digital Reading Peerless Transmission Manual
  - Advantages of eBooks Over Traditional Books
2. Identifying Peerless Transmission Manual
  - Exploring Different Genres
  - Considering Fiction vs. Non-Fiction
  - Determining Your Reading Goals
3. Choosing the Right eBook Platform
  - Popular eBook Platforms
  - Features to Look for in an Peerless Transmission Manual
  - User-Friendly Interface
4. Exploring eBook Recommendations from Peerless Transmission Manual
  - Personalized Recommendations
  - Peerless Transmission Manual User Reviews and Ratings
  - Peerless Transmission Manual and Bestseller Lists

5. Accessing Peerless Transmission Manual Free and Paid eBooks
  - Peerless Transmission Manual Public Domain eBooks
  - Peerless Transmission Manual eBook Subscription Services
  - Peerless Transmission Manual Budget-Friendly Options
6. Navigating Peerless Transmission Manual eBook Formats
  - ePub, PDF, MOBI, and More
  - Peerless Transmission Manual Compatibility with Devices
  - Peerless Transmission Manual Enhanced eBook Features
7. Enhancing Your Reading Experience
  - Adjustable Fonts and Text Sizes of Peerless Transmission Manual
  - Highlighting and Note-Taking Peerless Transmission Manual
  - Interactive Elements Peerless Transmission Manual
8. Staying Engaged with Peerless Transmission Manual
  - Joining Online Reading Communities
  - Participating in Virtual Book Clubs
  - Following Authors and Publishers Peerless Transmission Manual
9. Balancing eBooks and Physical Books Peerless Transmission Manual
  - Benefits of a Digital Library
  - Creating a Diverse Reading Collection Peerless Transmission Manual
10. Overcoming Reading Challenges
  - Dealing with Digital Eye Strain
  - Minimizing Distractions
  - Managing Screen Time
11. Cultivating a Reading Routine Peerless Transmission Manual
  - Setting Reading Goals Peerless Transmission Manual
  - Carving Out Dedicated Reading Time
12. Sourcing Reliable Information of Peerless Transmission Manual
  - Fact-Checking eBook Content of Peerless Transmission Manual
  - Distinguishing Credible Sources
13. Promoting Lifelong Learning

- Utilizing eBooks for Skill Development
  - Exploring Educational eBooks
14. Embracing eBook Trends
- Integration of Multimedia Elements
  - Interactive and Gamified eBooks

### **Peerless Transmission Manual Introduction**

In the digital age, access to information has become easier than ever before. The ability to download Peerless Transmission Manual has revolutionized the way we consume written content. Whether you are a student looking for course material, an avid reader searching for your next favorite book, or a professional seeking research papers, the option to download Peerless Transmission Manual has opened up a world of possibilities. Downloading Peerless Transmission Manual provides numerous advantages over physical copies of books and documents. Firstly, it is incredibly convenient. Gone are the days of carrying around heavy textbooks or bulky folders filled with papers. With the click of a button, you can gain immediate access to valuable resources on any device. This convenience allows for efficient studying, researching, and reading on the go. Moreover, the cost-effective nature of downloading Peerless Transmission Manual has democratized knowledge. Traditional books and academic journals can be expensive, making it difficult for individuals with limited financial resources to access information. By offering free PDF downloads, publishers and authors are enabling a wider audience to benefit from their work. This inclusivity promotes equal opportunities for learning and personal growth. There are numerous websites and platforms where individuals can download Peerless Transmission Manual. These websites range from academic databases offering research papers and journals to online libraries with an expansive collection of books from various genres. Many authors and publishers also upload their work to specific websites, granting readers access to their content without any charge. These platforms not only provide access to existing literature but also serve as an excellent platform for undiscovered authors to share their work with the world. However, it is essential to be cautious while downloading Peerless Transmission Manual. Some websites may offer pirated or illegally obtained copies of copyrighted material. Engaging in such activities not only violates copyright laws but also undermines the efforts of authors, publishers, and researchers. To ensure ethical downloading, it is advisable to utilize reputable websites that prioritize the legal distribution of content. When downloading Peerless Transmission Manual, users should also consider the potential security risks associated with online platforms. Malicious actors may exploit vulnerabilities in unprotected websites to distribute malware or steal personal information. To protect themselves, individuals should ensure their devices have reliable antivirus software installed and validate the legitimacy of the websites they are downloading from. In conclusion, the ability to download Peerless

Transmission Manual has transformed the way we access information. With the convenience, cost-effectiveness, and accessibility it offers, free PDF downloads have become a popular choice for students, researchers, and book lovers worldwide. However, it is crucial to engage in ethical downloading practices and prioritize personal security when utilizing online platforms. By doing so, individuals can make the most of the vast array of free PDF resources available and embark on a journey of continuous learning and intellectual growth.

### **FAQs About Peerless Transmission Manual Books**

How do I know which eBook platform is the best for me? Finding the best eBook platform depends on your reading preferences and device compatibility. Research different platforms, read user reviews, and explore their features before making a choice. Are free eBooks of good quality? Yes, many reputable platforms offer high-quality free eBooks, including classics and public domain works. However, make sure to verify the source to ensure the eBook credibility. Can I read eBooks without an eReader? Absolutely! Most eBook platforms offer web-based readers or mobile apps that allow you to read eBooks on your computer, tablet, or smartphone. How do I avoid digital eye strain while reading eBooks? To prevent digital eye strain, take regular breaks, adjust the font size and background color, and ensure proper lighting while reading eBooks. What the advantage of interactive eBooks? Interactive eBooks incorporate multimedia elements, quizzes, and activities, enhancing the reader engagement and providing a more immersive learning experience. Peerless Transmission Manual is one of the best book in our library for free trial. We provide copy of Peerless Transmission Manual in digital format, so the resources that you find are reliable. There are also many Ebooks of related with Peerless Transmission Manual. Where to download Peerless Transmission Manual online for free? Are you looking for Peerless Transmission Manual PDF? This is definitely going to save you time and cash in something you should think about.

### **Find Peerless Transmission Manual :**

[mercedes benz 500 sel repair manual 1985](#)

**mercedes benz c320 manual 2015**

*mercedes benz c class w202 owners manual*

**mercantile law question papers grade 12 2013**

[memorandum for tourism](#)

[memoires een leven in de oecumene](#)

[mercedes benz repair manual cd](#)

[mercedes benz owner manual online](#)

[memory whitechapel documents of contemporary art](#)

**memory rehabilitation integrating theory and practice**

**mercedes 180 190 220 workshop repair service manual**

[mens hair style download](#)

[memoir the tattooed portraits series](#)

[memoir general marblehead classic reprint](#)

[memory management in a multimedia world](#)

### **Peerless Transmission Manual :**

**digital design principles and practices 4 e amazon in** - May 17 2023

web digital design principles and practices 4 e 4th edition kindle edition by john f wakerly author format kindle edition 4 3 4

3 out of 5 stars 143 ratings

[digital design principles and practices 4th edition quizlet](#) - Mar 03 2022

web find step by step expert solutions for your textbook or homework problem find step by step solutions and answers to digital design principles and practices 9780131962736 as well as thousands of textbooks so you can move forward with confidence

[digital design principles and practices 4th edition](#) - Oct 10 2022

web buy digital design principles and practices 4th edition 9780131863897 by john f wakerly for up to 90 off at textbooks

com digital design principles and practices 4th edition 9780131863897 textbooks com

**digital design principles and practices by john f wakerly** - Sep 21 2023

web apr 16 2021 digital design principles and practices by john f wakerly ifth edition with verilog isbn 10 013446009x isbn 13 9780134460093 was published in the summer of 2017 by pearson education

**digital design principles and practices 4th edition guide** - Jan 13 2023

web jul 1 2005 digital design principles and practices 4th edition july 2005 author john wakerly publisher prentice hall inc division of simon and schuster one lake street upper saddle river nj united states isbn 978 0 13 186389 7 published 01 july 2005 available at amazon save to binder export citation bibliometrics downloads cumulative 0

[digital design principles and practices john f wakerly](#) - Jun 18 2023

web john f wakerly prentice hall 1990 digital integrated circuits 716 pages this popular volume provides a solid foundation in



the elements of basic digital electronics and switching

**digital design principles and practices 4th edition john f wakerly** - Aug 08 2022

web digital design principles and practices 4th edition john f wakerly click the start the download

**digital design principles and practices 4th edition wakerly** - May 05 2022

web digital design principles and practices 4th edition wakerly advertisement

**digital design principles and practices 4th amazon in** - Jul 19 2023

web amazon in buy digital design principles and practices 4th book online at best prices in india on amazon in read digital

design principles and practices 4th book reviews author details and more at amazon in free delivery on qualified orders

*digital design principles and practices 4th edition book only* - Oct 22 2023

web jul 31 2005 digital design principles and practices 4th edition book only wakerly john f on amazon com free shipping on qualifying offers

**digital design principles and practices package 4th edition chegg** - Jun 06 2022

web digital design principles and practices package 4th edition isbn 13 9780131733497 isbn 0131733497 authors john f

wakerly rent buy this is an alternate isbn view the primary isbn for digital design 4th edition textbook solutions

digital design principles and practices 4 e amazon com au - Apr 16 2023

web digital design principles and practices 4 e ebook wakerly john f amazon com au kindle store

*digital design john f wakerly free download borrow and* - Sep 09 2022

web digital design by john f wakerly publication date 1990 topics digital integrated circuits design and construction logic

design publisher prentice hall collection printdisabled internetarchivebooks contributor internet archive language english

access restricted item true addeddate 2012 01 05 19 49 47 boxid ia175901 boxid 2 ch127908 camera

*digital design principles and practices 4th edition wakerly* - Feb 14 2023

web jul 21 2005 digital design principles and practices 4th edition wakerly john f 9780131863897 books amazon ca

*digital design principles and practices john f wakerly* - Mar 15 2023

web for courses in digital design establishing a solid foundation of digital design principles an authoritative introduction to

basic digital design digital design principles and practices helps students build a foundational understanding of theoretical

and engineering principles this book gives students the opportunity to learn the basics at the high level hdl's at

**digital design principles and practices 4th edition** - Nov 11 2022

web digital design principles and practices 4th edition inproceedings wakerly2005digitaldp title digital design principles and

practices 4th edition author john f wakerly year 2005 j wakerly published 1 july 2005 art

**digital design principles and practices wakerly john f free** - Dec 12 2022

web digital design principles and practices by wakerly john f publication date 1994 topics digital integrated circuits design and construction publisher englewood cliffs n j prentice hall

**pdf digital design by john wakerly pdf academia edu** - Jul 07 2022

web digital design by john wakerly pdf digital design by john wakerly pdf digital design by john wakerly pdf manu bhatia see full pdf fundamentals of digital logic with verilog design third edition Özgür kablan download free pdf view pdf digital technology pdf abdualrahman kdh download free pdf view pdf laboratory

**digital design principles and practices 4th edition john f wakerly** - Apr 04 2022

web jan 24 2018 digital design principles and practices 4th edition john f wakerly january 24 2018 author luis josué cruz mierz category n a report this link download pdf

**digital design principles and practices by john f wakerly** - Aug 20 2023

web aug 5 2013 fourth edition isbn 0 13 186389 4 was published in the summer of 2005 by the prentice hall division of pearson education most customers will want to order the complete bundle isbn 0 13 173349 4 which shrink wraps the book together with xilinx ise and aldec active hdl student edition software

**free bluegrass banjo technique builder lessons artistworks** - Jan 29 2022

web click here to access these free banjo technique builders try either of our free bluegrass banjo technique builders listed below bluegrass banjo with tony trischka what s included a multi part online banjo lesson video teaching the basic banjo hammer on technique along with a practice exercise using the

[wayne erbsen starting bluegrass banjo from scratch](#) - Jul 03 2022

web view credits reviews tracks and shop for the 1978 vinyl release of starting bluegrass banjo from scratch on discogs

**starting a tune from scratch bluegrass banjo part 4** - Oct 06 2022

web patreon patreon com bretridgewayslearningforlifewebsite bretridgewaymusic comdonate gofundme com bretridgewaymerchan

[starting bluegrass banjo from scratch pdf vod transcode](#) - Dec 28 2021

web starting bluegrass banjo from scratch downloaded from vod transcode uat mediacp net by guest patrick blake the complete idiot s guide to bluegrass banjo favorites you can play your favorite bluegrass

**how to play a bluegrass banjo everything you need to know** - Mar 11 2023

web apr 17 2023 if you want to learn how to play a bluegrass banjo you ve come to the right place in this article we ll teach you the basics of playing the banjo from buying one to setting it up properly we ll also provide tips on practicing and suggestions for songs you can start playing right away

[pete wernick beginning bluegrass banjo download faststrings](#) - May 01 2022

web pete wernick beginning bluegrass banjo this is the perfect course for those who want to play three finger style bluegrass banjo from scratch you may never have touched a banjo before but pete will have you picking right from the opening minutes of

*starting bluegrass banjo from scratch by wayne erbsen 1978* - Sep 05 2022

web find many great new used options and get the best deals for starting bluegrass banjo from scratch by wayne erbsen 1978 trade paperback at the best online prices at ebay free shipping for many products

*starting bluegrass banjo from scratch carlfischer com* - Jun 14 2023

web starting bluegrass banjo from scratch anonymous composer wayne erbsen editor wayne erbsen lyricist instrumentation banjo 28 99 sku pcb104 add to wish list skip to the end of the images gallery skip to the beginning of the images gallery more info sku pcb104 publisher carl fischer music accompanied unaccompanied solo weight 0 65

*pcb104 starting bluegrass banjo from scratch book cd* - Aug 16 2023

web jun 1 1978 about starting bluegrass banjo from scratch by anonymous edited by wayne erbsen for banjo bluegrass student book tablature 80 pages published by carl fischer cf pcb104 isbn 0825800013 with tablature bluegrass

**how to create bluegrass banjo solos youtube** - Feb 27 2022

web nov 10 2022 a step by step process for creating solos from a melody on screen tab and tips are provided if you would like a pdf copy of the tab with stems page email

9 free beginner bluegrass banjo lessons truefire - May 13 2023

web sep 17 2020 in his course bluegrass banjo for beginners ned luberecki demystifies the experience of taking your first steps into the world of bluegrass banjo playing here are 9 free beginner bluegrass banjo lessons from the course for the full course check out ned luberecki s bluegrass banjo for beginners on truefire

*starting bluegrass banjo from scratch presto music* - Jan 09 2023

web sheet music for starting bluegrass banjo from scratch buy online banjo bjo published by carl fischer composer erbsen wayne

**learn to play bluegrass banjo lesson 1 youtube** - Apr 12 2023

web may 16 2017 you ve always wanted to learn the banjo haven t you well here s your chance these lessons are perfect for the absolute beginner lesson 2 is here

**10 beginner bluegrass banjo songs deering banjo company** - Jun 02 2022

web jul 15 2016 here are 10 beginner banjo songs for the beginning bluegrass banjo player by getting these tunes under your fingers you will be able to get some basic techniques together and go out to a jam to play with others with a small repertoire that other bluegrass musicians will know 1 cripple creek cripple creek is the first banjo song many a 5

**starting bluegrass banjo book and cd eagle music shop** - Aug 04 2022

web you ll learn how to read banjo tablature all the basic banjo rolls chords authentic bluegrass techniques banjo tuning and maintenance and more this book also has an audio cd with demonstration tracks of the essential bluegrass songs including cripple creek john hardy nine pound hammer red river valley among others

**how to build a bluegrass style five string banjo instructables** - Dec 08 2022

web avoid adding so much that the glue thickens noticeably then spread the mix in a recess and press the inlay in place so the glue squeezes out allow the glue to thoroughly dry and then sand the inlays flush after the inlays we installed side dot markers in the fingerboard binding begin installing the frets at the wide end of the neck cut

starting bluegrass banjo from scratch paperback 1 dec 1978 - Nov 07 2022

web buy starting bluegrass banjo from scratch by erbsen wayne isbn 9780825800016 from amazon s book store everyday low prices and free delivery on eligible orders

**getting started with bluegrass banjo tunefox** - Jul 15 2023

web getting started with bluegrass banjo tuning reading tab and playing roll patterns these beginner banjo lessons will help you get started with the basics from tuning your banjo to playing essential bluegrass roll patterns you ll follow a step by step process on how to learn the banjo in the form of mini lessons

*starting bluegrass banjo from scratch by wayne erbsen alibris* - Mar 31 2022

web buy starting bluegrass banjo from scratch by wayne erbsen online at alibris we have new and used copies available in 1 editions starting at 25 00 shop now

*starting bluegrass banjo from scratch sheet music plus* - Feb 10 2023

web shop and buy starting bluegrass banjo from scratch from carl fischer music at sheet music plus cf pcb104

plan mesimor kimi 10 pegi s and s in pdf reserve eyenetra - Oct 23 2022

web plan mesimor kimi 10 pegi s and s in 3 3 making the leap to cambridge igcse can be a challenge this brand new course leads learners smoothly through all three stages of cambridge secondary 1 physics up to cambridge checkpoint and beyond with crucial rigour built in from the outset so they can dive into cambridge igcse science study with

**libËr pËr mËsuesin kimia 10 shkollaime al** - Sep 02 2023

web k 10 7 identifikon të dhënat fillestare identifikon elementet që lidhen me situatën dhe me njëra tjetrën riformulon problemin duke përdorur koncepte shkencore dhe teknologjike propozon një shpjegim ose zgjidhje të mundshme b nxënësi zhvillon një plan veprimi eksploron disa nga shpjegimet ose zgjidhjet fillestare

plani mesimor kimia 9 pdf scribd - Dec 25 2022

web 2 1 numri i oksidimit 2 2 rregulla pr prcaktimin e numrit t oksidimit 2 3 ushtrime mbi prcaktimin e numrave t oksidimit 2

4 proceset e oksidimit dhe reduktimit reaksionet redoks 2 5 vendosja e koeficientve n reaksionet redoks

**plani kimia 10 11 pdf scribd** - Aug 01 2023

web plani vjetor dhe tremujor i sugjeruar kimia klasa x botimet dudaj 1 1 këtë plan si dhe librin e mësuesit për këtë lëndë mund ta shkarkoni falas në faqen tonë të internetit botimedudaj com ftabelë përmbledhëse e programit

**plani mësimor kimi 10 shtëpia botuese albas** - Oct 03 2023

web plani mësimor kimi 10 plani mësimor kimi 10 kategoritë cikli i mesëm klasa x materiale ndihmëse materiale ndihmëse plane mësimore shqipëri përshkrimi vlerësimet specifikimet të ngjashëm fletore pune gjuha shqipe 2 9 miqtë e mi fletore pune gjuha shqipe 7 gjuha shqipe 12 libër mësuesi për tekstin shkollor dituri natyre 1 gjuha shqipe 3

**plan mesimor kimi 10 pegi s and s in 2023** - Jun 18 2022

web plan mesimor kimi 10 pegi s and s in elements of differential geometry richard s millman 1977 this text is intended for an advanced undergraduate having taken linear algebra and multivariable calculus it provides the necessary background for a more abstract course in differential geometry the inclusion of

**plan mesimor kimi 10 pegi s and s in pdf admin iiusa** - Nov 23 2022

web plan mesimor kimi 10 pegi s and s in nnat2 r practice test kindergarten and grade 1 aqa biology a level scjp sun certified programmer for java 6 study guide great jobs for art majors the future of leadership development the ghost rider foundations of sensation and perception

**mos mor nasıl yazılır tdk anlamı başarı sıralamaları** - Mar 16 2022

web mosmor nasıl yazılır tdk mosmor anlamı tdk mosmor nedir sizlere bu yazımızda mosmor kelimesinin nasıl yazıldığı ve örnek cümle içindeki kullanımı hakkında bilgi vereceğiz mosmor mu yoksa mos mor mu nasıl yazılır işte sorunun cevabı aşağıdadır

[kimia 11 plani mesimor pdf scribd](#) - Apr 28 2023

web 1 plani mësimor vjetor klasa xi fusha shkencat e natyrës lëndë kimia përmbledhje e shpërndarjes së orëve kapitulli nga 1 10 teori ushtrime përsëritje detyrë pasdite tematike projekt test totali në orë eksperimentale ose ese 1 reaksionet redoks 2 orë 1 orë 3 2 rryma elektrike 4 orë 1 orë 1 orë 6 dhe ndryshimet kimike 3

**plan mesimor kimi 10 pegi s and s in jay silverman book** - May 18 2022

web it is your entirely own times to operate reviewing habit in the course of guides you could enjoy now is plan mesimor kimi 10 pegi s and s in below the future of leadership development susan e murphy 2003 first published in 2003 routledge is an imprint of taylor francis an informa company 1001 algebra problems mark a mckibben 2011

**memur ikramiyeleri ne zaman yatacak 12 10 2023** - Feb 12 2022

web feb 8 2021 bu yıl ödemenin ne zaman yapılacağı henüz resmi olarak açıklanmasa da ramazan bayramı tarihi göz önüne

alındığında ödemelerin mayıs ayının ilk 10 gününde yapılacağı tahmin ediliyor emekliye ramazan bayramı İkramiyesi 10 12 mayıs 2021 emekliye kurban bayramı İkramiyesi 12 16 temmuz 2021 tarihlerinde ödeme

[plan mesimor kimi 10 pegi s and s in copy live hpcareer](#) - Sep 21 2022

web plan mesimor kimi 10 pegi s and s in 3 3 rituals sorcery necromancy and demonology and the rites of divination including communion with dagan and baal zebub by dreams ancient magickial scripts using authentic aramaic moab philistine ugaritic cuneiform to inscribe words of power for spells the general of the dead army arcade publishing

**plan mesimor kimi 10 pegi s and s in webster mei** - Feb 24 2023

web download any of our books past this one merely said the plan mesimor kimi 10 pegi s and s in is universally compatible taking into account any devices to read the outsider handbook simplify participant s guide dragon of the two flames nnat2 r practice test kindergarten and grade 1 atlas shrugged chronicle in stone designing the school

**plan mesimor kimi 10 pegi s and s in download only** - Jan 26 2023

web plan mesimor kimi 10 pegi s and s in 3 3 stop the motor of the world and did this novel is the setting for the author s philosophy of objectivism math on trial solve challenging data science problems by mastering cutting edge machine learning techniques in python about this book resolve complex machine learning problems and explore deep

[plan mesimor kimi 10 pegi s and s in pdf archive imba](#) - Jul 20 2022

web plan mesimor kimi 10 pegi s and s in 5 5 murder trial of dutch nurse lucia de berk schneps and colmez show how the improper application of mathematical concepts can mean the difference between walking free and life in prison a colorful narrative of mathematical abuse math on trial blends courtroom drama history and math to show

**libri digjital botimepegi planet mësimore** - May 30 2023

web planet mësimore klikoni tek lënda dhe shkarkoni planin mësिमor që ju nevojitet klasa i abetare mbarëkombëtare 2018 matematika 1 dituri natyre 1 edukim për shoqërine 1 muzika 1 klasa ii

[libër mësuesi kimia 10 media print](#) - Jun 30 2023

web libri i mësuesit kimia 10 përmban programin mësिमor kimia 10 planin mësिमor vjetor kimia 10 planifikimet e tremujorëve planifikimin e orëve ide për mësिमdhënien teste shkarko plane ditare teste projekt kategoritë klasa x libra mësuesi tags kimia 10 klasa 10 libër mësuesi

[plan mesimor kimi 10 pegi s and s in pdf api portal idealagent](#) - Apr 16 2022

web right here we have countless books plan mesimor kimi 10 pegi s and s in and collections to check out we additionally offer variant types and furthermore type of the books to browse the adequate book fiction history novel scientific research as capably as various further sorts of books are

[plan mesimor kimi 10 pegi s and s in pdf live hpcareer](#) - Aug 21 2022

web plan mesimor kimi 10 pegi s and s in 3 3 detailed code examples demonstrate deep learning techniques semi supervised learning and more in real world applications we will also learn about numpy and theano by this end of this book you will learn a set of advanced machine learning techniques and acquire a broad set of powerful skills

**plan mesimor kimi 10** - Mar 28 2023

web plan mesimor kimi 10 plani vjetor shkollateknike com plani vjetor shkollateknike com plani vjetor shkollateknike com april 30th 2018 plani i punës 2012 13 drejtori florim bajrami teknika anëtarët e këshillit t