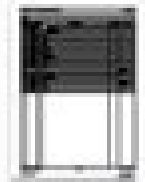


Page Thumbnails



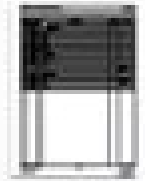
1



2



3



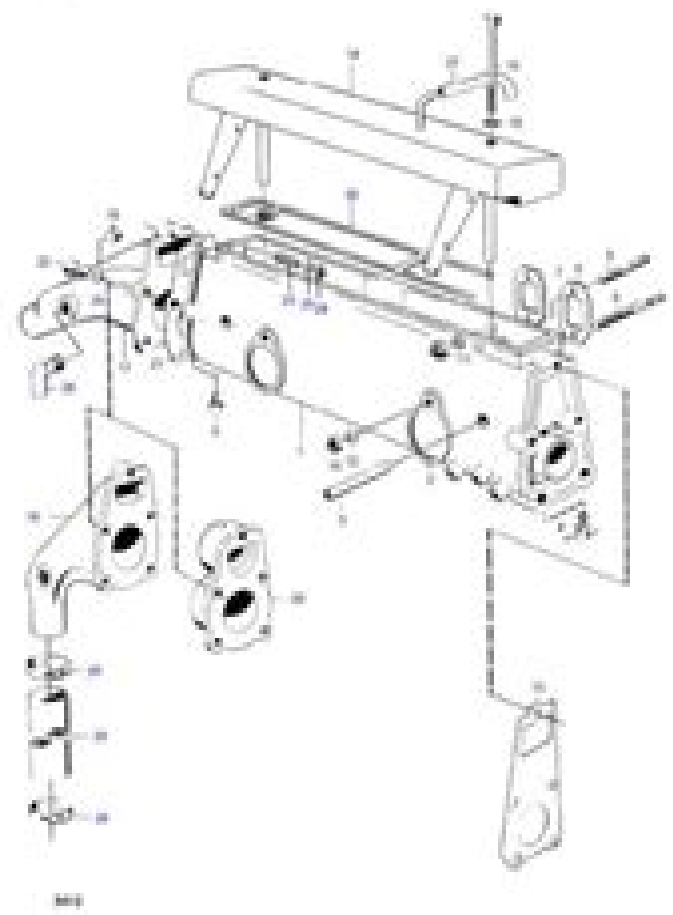
4



5

26 Induction- and Exhaust Manifold

AGD218



Md21b Manual

**United States. Department of the
Army**



Md21b Manual:

The gauger's guide and measurer's manual Thomas Kentish (of London.),1861 Power Farming in Australia and New Zealand Technical Manual ,1982 **Technical Manual** United States Department of the Army,1950 Soldier's Manual United States. Department of the Army,1978 **Operator's Manual** ,1983 U. S. Army M-1 Garand Technical Manual Pentagon U.S. Military,2016-01-29 **Soldier's Manual** United States. Department of the Army,1978 Soldier's Manual United States. Department of the Army,1977 *Commander's Manual* United States. Department of the Army,1978

Operator's Manual for Test Set, Tachometer Dwell (NSN 4910-00-788-8549) ,1983 Soldier's manual United States. Department of the Army,1978 Technical Manual United States. War Department,1945 **Technical Manual** United States. Department of the Army,1943 **Soldier's Manual** United States. Department of the Army,1977 Tm 9-1005-233-10 Operators Manual for M73, M73a1, and M219 Machine Guns Department of Defense,2017-12-04 The 1974 Edition of TM 9 1005 233 10 Operators Manual for M73 M73A1 and M219 Machine Guns **Technical Manual** ,19??

Material Supplyman United States. Department of the Army,1978 **DTIM3.1 User's Guide** Wayne Luney,Julie L. Fieber,Robert Grant Ireson,California. Department of Transportation. Office of Travel Forecasting and Analysis,1999

TMC Manual No. 21 ,1996 **Manual NGB.** United States. National Guard Bureau,1950

Unveiling the Energy of Verbal Beauty: An Emotional Sojourn through **Md21b Manual**

In a global inundated with screens and the cacophony of instantaneous connection, the profound power and psychological resonance of verbal artistry frequently diminish in to obscurity, eclipsed by the constant barrage of sound and distractions. However, situated within the lyrical pages of **Md21b Manual**, a charming function of literary brilliance that impulses with fresh emotions, lies an wonderful trip waiting to be embarked upon. Composed by way of a virtuoso wordsmith, that interesting opus courses readers on a mental odyssey, lightly revealing the latent potential and profound influence stuck within the elaborate internet of language. Within the heart-wrenching expanse with this evocative analysis, we will embark upon an introspective exploration of the book is key subjects, dissect their interesting writing model, and immerse ourselves in the indelible effect it leaves upon the depths of readers souls.

https://correiodobrasil.blogosfero.cc/data/virtual-library/fetch.php/one_step_at_a_time_a_vietnamese_child_finds_her_way.pdf

Table of Contents Md21b Manual

1. Understanding the eBook Md21b Manual
 - The Rise of Digital Reading Md21b Manual
 - Advantages of eBooks Over Traditional Books
2. Identifying Md21b Manual
 - Exploring Different Genres
 - Considering Fiction vs. Non-Fiction
 - Determining Your Reading Goals
3. Choosing the Right eBook Platform
 - Popular eBook Platforms
 - Features to Look for in an Md21b Manual
 - User-Friendly Interface
4. Exploring eBook Recommendations from Md21b Manual

- Personalized Recommendations
- Md21b Manual User Reviews and Ratings
- Md21b Manual and Bestseller Lists
- 5. Accessing Md21b Manual Free and Paid eBooks
 - Md21b Manual Public Domain eBooks
 - Md21b Manual eBook Subscription Services
 - Md21b Manual Budget-Friendly Options
- 6. Navigating Md21b Manual eBook Formats
 - ePub, PDF, MOBI, and More
 - Md21b Manual Compatibility with Devices
 - Md21b Manual Enhanced eBook Features
- 7. Enhancing Your Reading Experience
 - Adjustable Fonts and Text Sizes of Md21b Manual
 - Highlighting and Note-Taking Md21b Manual
 - Interactive Elements Md21b Manual
- 8. Staying Engaged with Md21b Manual
 - Joining Online Reading Communities
 - Participating in Virtual Book Clubs
 - Following Authors and Publishers Md21b Manual
- 9. Balancing eBooks and Physical Books Md21b Manual
 - Benefits of a Digital Library
 - Creating a Diverse Reading Collection Md21b Manual
- 10. Overcoming Reading Challenges
 - Dealing with Digital Eye Strain
 - Minimizing Distractions
 - Managing Screen Time
- 11. Cultivating a Reading Routine Md21b Manual
 - Setting Reading Goals Md21b Manual
 - Carving Out Dedicated Reading Time
- 12. Sourcing Reliable Information of Md21b Manual

- Fact-Checking eBook Content of Md21b Manual
 - Distinguishing Credible Sources
13. Promoting Lifelong Learning
- Utilizing eBooks for Skill Development
 - Exploring Educational eBooks
14. Embracing eBook Trends
- Integration of Multimedia Elements
 - Interactive and Gamified eBooks

Md21b Manual Introduction

In this digital age, the convenience of accessing information at our fingertips has become a necessity. Whether its research papers, eBooks, or user manuals, PDF files have become the preferred format for sharing and reading documents. However, the cost associated with purchasing PDF files can sometimes be a barrier for many individuals and organizations. Thankfully, there are numerous websites and platforms that allow users to download free PDF files legally. In this article, we will explore some of the best platforms to download free PDFs. One of the most popular platforms to download free PDF files is Project Gutenberg. This online library offers over 60,000 free eBooks that are in the public domain. From classic literature to historical documents, Project Gutenberg provides a wide range of PDF files that can be downloaded and enjoyed on various devices. The website is user-friendly and allows users to search for specific titles or browse through different categories. Another reliable platform for downloading Md21b Manual free PDF files is Open Library. With its vast collection of over 1 million eBooks, Open Library has something for every reader. The website offers a seamless experience by providing options to borrow or download PDF files. Users simply need to create a free account to access this treasure trove of knowledge. Open Library also allows users to contribute by uploading and sharing their own PDF files, making it a collaborative platform for book enthusiasts. For those interested in academic resources, there are websites dedicated to providing free PDFs of research papers and scientific articles. One such website is Academia.edu, which allows researchers and scholars to share their work with a global audience. Users can download PDF files of research papers, theses, and dissertations covering a wide range of subjects. Academia.edu also provides a platform for discussions and networking within the academic community. When it comes to downloading Md21b Manual free PDF files of magazines, brochures, and catalogs, Issuu is a popular choice. This digital publishing platform hosts a vast collection of publications from around the world. Users can search for specific titles or explore various categories and genres. Issuu offers a seamless reading experience with its user-friendly interface and allows users to download PDF files for offline reading. Apart from dedicated platforms, search engines

also play a crucial role in finding free PDF files. Google, for instance, has an advanced search feature that allows users to filter results by file type. By specifying the file type as "PDF," users can find websites that offer free PDF downloads on a specific topic. While downloading Md21b Manual free PDF files is convenient, its important to note that copyright laws must be respected. Always ensure that the PDF files you download are legally available for free. Many authors and publishers voluntarily provide free PDF versions of their work, but its essential to be cautious and verify the authenticity of the source before downloading Md21b Manual. In conclusion, the internet offers numerous platforms and websites that allow users to download free PDF files legally. Whether its classic literature, research papers, or magazines, there is something for everyone. The platforms mentioned in this article, such as Project Gutenberg, Open Library, Academia.edu, and Issuu, provide access to a vast collection of PDF files. However, users should always be cautious and verify the legality of the source before downloading Md21b Manual any PDF files. With these platforms, the world of PDF downloads is just a click away.

FAQs About Md21b Manual Books

How do I know which eBook platform is the best for me? Finding the best eBook platform depends on your reading preferences and device compatibility. Research different platforms, read user reviews, and explore their features before making a choice. Are free eBooks of good quality? Yes, many reputable platforms offer high-quality free eBooks, including classics and public domain works. However, make sure to verify the source to ensure the eBook credibility. Can I read eBooks without an eReader? Absolutely! Most eBook platforms offer webbased readers or mobile apps that allow you to read eBooks on your computer, tablet, or smartphone. How do I avoid digital eye strain while reading eBooks? To prevent digital eye strain, take regular breaks, adjust the font size and background color, and ensure proper lighting while reading eBooks. What the advantage of interactive eBooks? Interactive eBooks incorporate multimedia elements, quizzes, and activities, enhancing the reader engagement and providing a more immersive learning experience. Md21b Manual is one of the best book in our library for free trial. We provide copy of Md21b Manual in digital format, so the resources that you find are reliable. There are also many Ebooks of related with Md21b Manual. Where to download Md21b Manual online for free? Are you looking for Md21b Manual PDF? This is definitely going to save you time and cash in something you should think about. If you trying to find then search around for online. Without a doubt there are numerous these available and many of them have the freedom. However without doubt you receive whatever you purchase. An alternate way to get ideas is always to check another Md21b Manual. This method for see exactly what may be included and adopt these ideas to your book. This site will almost certainly help you save time and effort, money and stress. If you are looking for free books then you really should consider finding to assist you try this. Several of Md21b Manual are for sale to free while some are payable. If you

arent sure if the books you would like to download works with for usage along with your computer, it is possible to download free trials. The free guides make it easy for someone to free access online library for download books to your device. You can get free download on free trial for lots of books categories. Our library is the biggest of these that have literally hundreds of thousands of different products categories represented. You will also see that there are specific sites catered to different product types or categories, brands or niches related with Md21b Manual. So depending on what exactly you are searching, you will be able to choose e books to suit your own need. Need to access completely for Campbell Biology Seventh Edition book? Access Ebook without any digging. And by having access to our ebook online or by storing it on your computer, you have convenient answers with Md21b Manual To get started finding Md21b Manual, you are right to find our website which has a comprehensive collection of books online. Our library is the biggest of these that have literally hundreds of thousands of different products represented. You will also see that there are specific sites catered to different categories or niches related with Md21b Manual So depending on what exactly you are searching, you will be able tochoose ebook to suit your own need. Thank you for reading Md21b Manual. Maybe you have knowledge that, people have search numerous times for their favorite readings like this Md21b Manual, but end up in harmful downloads. Rather than reading a good book with a cup of coffee in the afternoon, instead they juggled with some harmful bugs inside their laptop. Md21b Manual is available in our book collection an online access to it is set as public so you can download it instantly. Our digital library spans in multiple locations, allowing you to get the most less latency time to download any of our books like this one. Merely said, Md21b Manual is universally compatible with any devices to read.

Find Md21b Manual :

one step at a time a vietnamese child finds her way

~~online book destination competitiveness environment sustainability challenges~~

once upon a long ago

one shoe when a gold rush is not enough

one night ever after

onan kv microlite service repair parts installation operator manual 8 manuals

onkyo tx sr506 manual

online book mythology illustrated journey imagined worlds

ongc manuals mech

one way trip stephen braund

online achievement inclusion schools lani florian

**online book horrible humes runesword stephen billias
ondernemend friesland nedeng tekst**

one week calendar for kids

~~online book rough guide new york city~~

Md21b Manual :

I aventura del gran reus la historia del llegenda full pdf - Apr 11 2023

web l aventura del gran reus la historia del llegenda downloaded from iriss ac uk rice lee fem safareig kalafat els inicis del sindicalisme revolucionari català en els primers anys del segle xx l autora s ha basat en la història de la seva família a barcelona els records del seu alter ego anna s enllacen per

I aventura del gran reus la historia del llegenda pdf - Jan 08 2023

web nov 6 2022 l aventura del gran reus la historia del llegenda is available in our book collection an online access to it is set as public so you can get it instantly our digital library spans in multiple locations allowing you to get the most less latency time to download

l aventura del gran reus la historia del llegenda pdf - Feb 09 2023

web l aventura del gran reus la historia del llegenda pdf when people should go to the book stores search launch by shop shelf by shelf it is in reality problematic this is why we allow the books compilations in this website it will utterly ease you to see guide l aventura del gran reus la historia del llegenda pdf as you such as

la leyenda regresa 1080p latino gran pirata - Aug 03 2022

web oct 1 2021 reparto enlaces sinopsis un granjero viudo y su hijo acogen con cautela a un hombre misterioso y herido con una bolsa de dinero en efectivo cuando un grupo de hombres que dicen ser la ley viene por el dinero el agricultor debe decidir en quién confiar

l aventura del gran reus la història del llegendari reus deportiu de - Aug 15 2023

web museu de reus de l infern de líbia a la cavalcada de reus la història d l aventura de l altre gran reus el món de reus reus asalta los cielos con los éxitos del la vanguardia l aventura del gran reus la història del llegendari reus familia llevat la web de la història dels llevat història circ cric tac12 tv l

I aventura del gran reus la historia del llegenda pdf - May 12 2023

web l aventura del gran reus la historia del llegenda historia tradiciones y leyendas de calles de méxico sep 19 2020 caminos de santiago aug 19 2020 los caminos de santiago olvidados durante algún tiempo están experimentando un renacimiento desde hace varias décadas una historia de más de mil años es la fuente de

[l aventura del gran reus la historia del llegenda 2023](#) - Jul 14 2023

web caminos de santiago feb 23 2021 los caminos de santiago olvidados durante algn tiempo estn experimentando un renacimiento desde hace varias dcadas una historia de ms de mil aos es la fuente de muchas narraciones pintorescas y hanna stefaniak autora de este libro crea un ameno e instructivo relato de todos los caminos que conducen a

[l aventura del gran reus la historia del llegenda pdf](#) - Apr 30 2022

web l aventura del gran reus la història del llegendari reus deportiu de les sis copes d europa els orígens del gran teatre del liceu 1837 1847 deu anys d anuari territorial de catalunya 2003 2012

la gran aventura lego el videojuego oficial lego - Jul 02 2022

web historia características destruye más cosas en un fascinante entorno creado con bricks lego colecciona y usa páginas de instrucciones lego para construir de un modo totalmente nuevo viaja a través de mundos fantásticos como el barranco de flatbush la nube de la tierra cucú y muchos más

l aventura del gran reus la historia del llegenda ftp popcake - Jun 13 2023

web l aventura del gran reus la historia del llegenda els marginats socials en la literatura del grup modernista de reus memòria de sang l aventura de la trapa a catalunya el gabriel ferrater de reus catalònia culture vinyes i vins mil anys d història obra completa de l olivetti al teletreball l aventura del gran reus la història del

l aventura del gran reus la historia del llegenda full pdf - Dec 27 2021

web apr 17 2023 l aventura del gran reus la historia del llegenda 1 l aventura del gran reus la historia del llegenda when somebody should go to the book stores search commencement by shop shelf by shelf it is in fact problematic this is why we allow the books compilations in this website it will unquestionably ease you to look guide l

[l aventura del gran reus la historia del llegenda pdf](#) - Mar 30 2022

web el llibre a catalunya durant la guerra civil l aventura del gran reus la història del llegendari reus deportiu de les sis copes d europa historia industrial 14 1998 el gabriel ferrater de reus fem safareig estimar catalunya llibre de l any orígenes medievales del derecho civil

[l aventura del gran reus la historia del llegenda copy](#) - Jan 28 2022

web l aventura del gran reus la historia del llegenda is welcoming in our digital library an online permission to it is set as public suitably you can download it instantly our digital library saves in combined countries allowing you to acquire the most less latency period to download any of our books afterward this one

[l aventura del gran reus la historia del llegenda copy](#) - Sep 04 2022

web apr 18 2023 l aventura del gran reus la historia del llegenda 1 5 downloaded from uniport edu ng on april 18 2023 by guest el autor de l aventura del gran reus la histÀria del llegendari reus deportiu de les sis copes d europa con isbn 978 84

9034 624 2 l aventura del gran reus la historia del llegendia 2022

l aventura del gran reus la historia del llegendia full pdf - Nov 06 2022

web por el autor de reina roja y loba negra una aventura épica andalucía 1587 en medio de un pueblo arrasado por la peste uno de los comisarios de abastos del rey felipe ii encuentra a un niño que aún se aferra a la vida arriesgando su carrera lo rescata de las garras de la muerte y lo lleva a sevilla sin poder imaginar lo que acabará

l aventura del gran reus la història del llegendari reus deportiu de - Feb 26 2022

web salou cambrils reus i port aventura viure la ciutat l aventura del gran reus la historia del llegendari reus reus deportiu la enciclopedia libre reus asalta los cielos con los éxitos del la vanguardia història circ cric l aventura del

reseña la gran aventura lego resetmx - Jun 01 2022

web feb 11 2014 la gran aventura lego narra la historia de emmet un típico y ordinario constructor y habitante de la ciudad Él es una persona nada extraordinaria y que simplemente sigue las reglas al pie de la letra para ser feliz sin embargo sucesos inesperados hacen creer a un grupo de maestros constructores que emmet es el

l aventura del gran reus la historia del llegendia pdf - Dec 07 2022

web jun 28 2023 those all we have the funds for l aventura del gran reus la historia del llegendia and numerous books collections from fictions to scientific research in any way among them is this l aventura del gran reus la historia del llegendia that can be your partner orígenes medievales del derecho civil jesús ignacio fernández domingo 2013

l aventura del gran reus la historia del llegendia 2023 - Oct 05 2022

web l aventura del gran reus la historia del llegendia la historia del enclave panameño frente al tratado torrijos carter dec 19 2020 historia de la eternidad feb 13 2023 perspectivas para la historia del órgano español may 24 2021 a general catalogue of books feb 07 2020 los pequeños grandes libros de historia americana sep 08

l aventura del gran reus la historia del llegendia josé l - Mar 10 2023

web llegendia getting the books l aventura del gran reus la historia del llegendia now is not type of inspiring means you could not isolated going subsequently books collection or library or borrowing from your contacts to open them this is an unconditionally easy means to specifically get lead by on line this online proclamation l aventura del

despertar de la consciencia cecilia baroli - Feb 09 2022

web terapias para el alma registros akáshicos propósito espiritual terapias biodescodificación artículos de interés

on yomi despertar la consciencia en el siglo xxi edición kindle - Jan 23 2023

web on yomi despertar la consciencia en el siglo xxi ebook laborde la croce juan amazon com mx tienda kindle

on yomi despertar la consciencia en el siglo xxi spanish - May 27 2023

web dec 4 2018 on yomi despertar la consciencia en el siglo xxi spanish edition kindle edition by laborde la croce juan

download it once and read it on your kindle device pc phones or tablets use features like bookmarks note taking and highlighting while reading on yomi despertar la consciencia en el siglo xxi spanish edition

on yomi despertar de la consciencia en el siglo xxi amazon es - Jun 27 2023

web on yomi despertar de la consciencia en el siglo xxi laborde la croce juan amazon es libros

conciencia del momento presente song and lyrics by en mi - Jun 15 2022

web listen to conciencia del momento presente on spotify en mi sueño song 2021 en mi sueño song 2021 listen to conciencia del momento presente on spotify en mi sueño song 2021 sign up log in home search your library create your first playlist it s easy we ll help you

on yomi despertar la consciencia en el siglo xxi amazon fr - Nov 20 2022

web note 5 retrouvez on yomi despertar la consciencia en el siglo xxi et des millions de livres en stock sur amazon fr achetez neuf ou d occasion

umberto boccioni bilinç devleti i uğurlama İstanbul sanat evi - May 15 2022

web umberto boccioni bilinç devleti i uğurlama tablosu orijinal ebadı 70 5 x 96 2 cm tarih 1911 bu tablonun premium kalite kanvas baskısını pvc free pamu

editorial paradigmas on yomi facebook - Dec 22 2022

web 70 views 1 likes 0 loves 0 comments 7 shares facebook watch videos from editorial paradigmas despertar la consciencia en el siglo xxi

yoonsiyoontumblr - Mar 13 2022

web it s time to try tumblr you ll never be bored again maybe later sign me up sign me up

on yomi despertar la consciencia en el siglo xxi 1 - Mar 25 2023

web on yomi despertar la consciencia en el siglo xxi 1 laborde la croce juan amazon com au books

on yomi despertar la consciencia en el siglo xxi uniport edu - Sep 18 2022

web sep 28 2023 webmay 18th 2020 puerto rico 13 de junio del 2018 se publicó el libro on yomi despertar de la consciencia en el siglo xxi un texto que reúne la antigua sabiduría budista con elementos de la teosofía y la ciencia con el objeto sutd edu sg orientation sutd edu sg on yomi despertar la consciencia pdf file

on yomi despertar la consciencia en el siglo xxi budismo - Sep 30 2023

web on yomi despertar la consciencia en el siglo xxi budismo band 1 laborde la croce juan amazon com tr kitap

on yomi despertar la consciencia en el siglo xxi copy - Aug 18 2022

web sep 29 2023 junio del 2018 se public el libro on yomi despertar de la consciencia en el siglo xxi un texto que rene la antigua sabidura budista con elementos de la teosofa y la ciencia con el objeto de brindar un panorama

on yomi despertar la consciencia en el siglo xxi by juan laborde la - Jul 17 2022

web jul 14 2023 on yomi despertar la consciencia en el siglo xxi by juan laborde la croce aa3 ulises npc by koyukistyle on deviantart masa critica consciente nuestra condición es mantenida religión y espiritualidad podcasts descargas en itunes la sabiduría del ser no 68 tony tony chopper online kptm edu my 1 44

buy on yomi despertar la consciencia en el siglo xxi 1 - Feb 21 2023

web amazon in buy on yomi despertar la consciencia en el siglo xxi 1 budismo book online at best prices in india on amazon in read on yomi despertar la consciencia en el siglo xxi 1 budismo book reviews author details and more at amazon in free delivery on qualified orders

on yomi despertar la consciencia en el siglo xxi versión kindle - Apr 25 2023

web on yomi despertar la consciencia en el siglo xxi ebook laborde la croce juan amazon es libros

on yomi despertar la consciencia en el siglo xxi 1 budismo - Aug 30 2023

web buy on yomi despertar la consciencia en el siglo xxi 1 budismo by laborde la croce juan isbn 9781790809264 from amazon s book store everyday low prices and free delivery on eligible orders

despertar de la conciencia samadhi documental maya la ilusión del - Apr 13 2022

web nov 3 2020 parte 1 maya la ilusión del yo es la primera parte de una serie de películas que exploran samadhi samadhi es una palabra en sánscrito que se refiere a una unión mística o trascendente que

on yomi despertar la consciencia en el siglo xxi 1 budismo - Jul 29 2023

web on yomi despertar la consciencia en el siglo xxi 1 budismo laborde la croce juan amazon es libros

on yomi despertar la consciencia en el siglo xxi pdf uniport edu - Oct 20 2022

web sep 29 2023 el libro on yomi despertar de la consciencia en el siglo xxi un texto que reúne la antigua sabiduría budista con elementos de la teosofía y la ciencia con el objeto de brindar un panorama pensable de la actualidad y un camino

the wonderful world of disney magical holiday celebration imdb - Oct 15 2021

web nov 5 2023 in 1985 the last time the hanshin tigers won the japan series title raucous fans threw a statue of colonel sanders into the river the ensuing title drought was

long suffering hanshin tigers win japan series end curse of - Apr 08 2021

the disney book a celebration of the world of disney google - Aug 05 2023

web sep 9 2023 during the a celebration of disney parks experiences and products yesterday today and tomorrow presentation at destination d23 disney chairman

the disney book a celebration of the world of disney - Sep 25 2022

web apr 27 2023 monthly celebrations for the disney100 celebration at disney world each month from april through september a different storytelling theme is being honored

world celebration opening date announced for epcot dis - Jun 03 2023

web oct 1 2015 celebrate movie history and the world of disney from the animations and live action movies to the magical disney parks and attractions with the disney book go

a complete guide to disney world events in 2023 and beyond - Jan 18 2022

web nov 2 2023 calling all eligible teachers enter for a chance to attend the disney imagination campus 2024 teachers celebration at the walt disney world resort you

how to celebrate dia de los muertos at walt disney world - Sep 13 2021

web the wonderful world of disney magical holiday celebration is an annual television special that airs on abc during the holiday season it features musical performances

the disney book a celebration of the world of disney - Apr 20 2022

web nov 28 2019 the wonderful world of disney magical holiday celebration directed by joe demaio manny bonilla chris valenziano with matthew morrison emma bunton

watch the wonderful world of disney disney s 100th - May 02 2023

web the wonderful world of disney disney s 100th anniversary celebration is a television special that aired on abc on october 15 2023 to commemorate the centennial of the

disney cracks down on third party tour guides forsaking - Aug 13 2021

web official album the happiest celebration on earth walt disney world resort album was the official album for the walt disney world resort in 2005 the producer randy

the disney book a celebration of the world of disney - Apr 01 2023

web summary it s time to celebrate the 50th anniversary of walt disney world the world s most magical celebration kicked off oct 1 2021 across all four disney world theme

the disney book a celebration of the world of disney - Feb 28 2023

web oct 27 2023 just before the company celebrated its 100th anniversary on october 16 with a special collection of merchandise to mark the occasion naturally the walt disney dis

the world s most magical celebration begins disney holidays - Jul 24 2022

web jan 10 2013 disney 100 celebration sept 22 to dec 31 2023 to commemorate the walt disney company s 100 year anniversary walt disney world is hosting a party

8 things you didn t know about halloween at disney parks - Dec 17 2021

web 2 days ago hong kong disneyland reveals first look at world of frozen merchandise toys sweaters olaf shoulder plush and more exclusive to world of frozen opening

my top 5 moments from walt disney world s 50th - Jan 30 2023

web feb 19 2021 beginning oct 1 walt disney world resort will throw the world s most magical celebration in honor of our 50 th anniversary bringing new experiences to our

the magic of retail how disney parks elevate the park - Aug 25 2022

web nov 2 2023 world of frozen which opens its gates on nov 20 at hong kong disneyland resort is the world s first frozen themed land so much has gone into the creation of

the wonderful world of disney magical holiday celebration - Mar 08 2021

the disney book a celebration of the world of disney google - Jun 22 2022

web oct 27 2023 1 dance along to spooky boo parade spooky boo parade is back once again this must see parade makes its way throughout the park with mickey mouse

exclusive frozen merch you can only find at world of frozen - Jun 10 2021

the celebration comes to a close everything you - Sep 06 2023

web come celebrate 100 years of disney stories as you enjoy magical experiences at walt disney world resort in florida during the disney100 celebration

disney 100th anniversary celebration walt disney world resort - Jul 04 2023

web oct 16 2023 oct 15 2023 walt disney created an empire and on sunday night viewers can celebrate the brand with the wonderful world of disney disney s 100th

everything to know for disney world s 50th anniversary celebration - Oct 27 2022

web the disney book a celebration of the world of disney hardcover picture book 23 september 2015 celebrate the world of disney in the disney book from the beautiful

the disney book new edition a celebration of the - Oct 07 2023

web the disney book a celebration of the world of disney jim fanning dorling kindersley publishing incorporated 2015 animated films 199 pages celebrate movie history

complete guide to the disney100 celebration at disney world - Mar 20 2022

web nov 3 2022 by ashley amber november 3 2022 walt disney world dia de los muertos commonly known as the day of the dead is widely celebrated in mexico on

the disney book a celebration of the world of disney the - May 22 2022

web 1 day ago the festivities and joyous atmosphere created a unique experience in which to thank cast members who have brought magic and joy to hong kong disneyland resort

the wonderful world of disney magical holiday - Nov 27 2022

web sep 23 2016 the disney book spans disney history from the 1920s when walt worked at a newspaper in kansas city to 2015 when disney released 6 movies including

the wonderful world of disney disney s 100th anniversary - Dec 29 2022

web oct 6 2015 the disney book a celebration of the world of disney jim fanning penguin oct 6 2015 performing arts 200 pages celebrate movie history and the

official album the happiest celebration on earth walt disney - Feb 04 2021

hong kong disneyland cast members preview world of frozen - Nov 15 2021

web 1 day ago place tomatillos and serrano chiles in a saucepan cover with water and bring to a boil reduce heat and simmer 5 to 8 minutes or until softened drain and place in

how cast members became citizens of arendelle to bring world - Feb 16 2022

web many of these businesses help clients secure dining and lodging reservations at disney world design their itineraries and help them navigate the parks several third party

disney eats plant based potato flautas from disney s newest - May 10 2021

experience the disney imagination campus 2024 teachers - Jul 12 2021