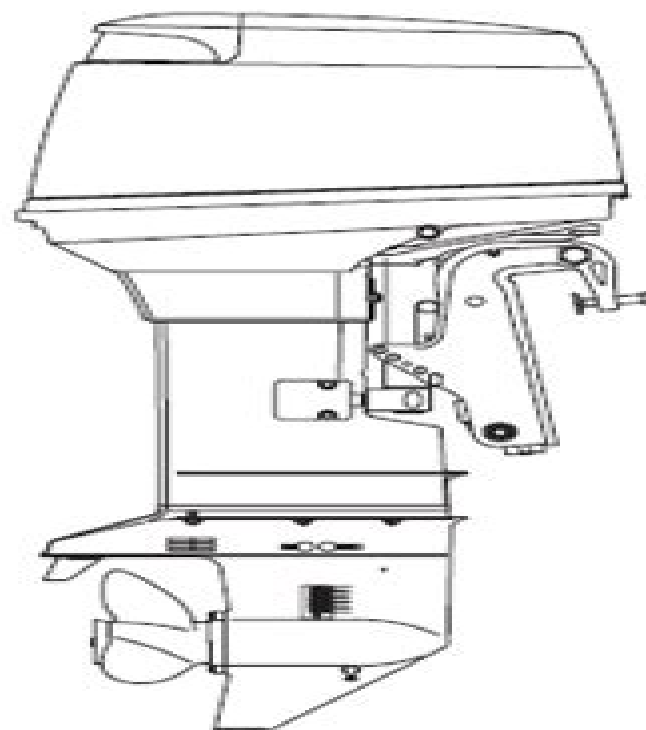


TOHATSU
OUTBOARD

TLDI
40-50



SERVICE MANUAL



TOHATSU CORPORATION

Md40a Manual

Joseph D. Greenfield, William C. Wray

Md40a Manual:

Inboard Engines & Drives Service Manual: Oldsmobile, OMC, Peugeot, Universal, Volvo, Westerbeke and Yanmar gas and diesel engines ... with section on popular inboard drives ,1984 Moody's Manual of Investments John Sherman Porter,1938 American government securities 1928 53 in 5 annual vols v 1 Railroad securities 1952 53 Transportation v 2 Industrial securities v 3 Public utility securities v 4 Government securities 1928 54 v 5 Banks insurance companies investment trusts real estate finance and credit companies 1928 54 **Power Farming in Australia and New Zealand Technical Manual** ,1982 *High-speed Surface Craft* ,1982 Using Microprocessors and Microcomputers Joseph D. Greenfield,William C. Wray,1988 This book covers all Motorola 8 bit microprocessors and introduces the more advanced 16 bit chips The latest advances in the 6800 family and their growing applications in today s designs are explored and then a concise two chapter treatment of the 16 bit 6800 is given There is also coverage of the complete line of Motorola peripherals Nursing World ,1935 **Society for Neuroscience Abstracts** Society for Neuroscience. Annual Meeting,1988 **Bibliografía del Instituto Lingüístico de Verano en el Perú, 1946-1986** Summer Institute of Linguistics,Mary Ruth Wise S.,1986 **Technical Manual** United States Department of the Army,1959 **Operator's Manual** ,1992 **Operator's Manual** ,1988 **Operator's Manual** ,1962 *U.S. Army M-1 Garand Technical Manual* U. s. Military Pentagon,2011-06-01 This manual is a guide for commanders and instructors in presenting instruction and training in the mechanical operation of the M1 rifle It includes a detailed description of the rifle and its general characteristics procedures for dis assembly and assembly methods of loading an explanation of functioning a discussion of stoppages and immediate action a description of the ammunition and instructions on the care and cleaning of both the weapon and ammunition The material presented is applicable without modification to both nuclear and non nuclear warfare *Soldier's Manual* United States. Department of the Army,1977 **Operator's Manual** ,1983 **Training Manual** United States. War Dept,1924 Us Army Operator's & Maintenance Manuals for the M1911a1 Caliber .45 Semiautomatic Pistol U. S. US Army,2016-08-07 The complete text of the final versions of the US Army Technical Manuals for the M1911A1 cal 45 pistol M14 M1A Technical Manual U. S. Army,2014-12-04 ADVISORY This is a VERY rough modern re print of the original U S Army Field Manual 9 1005 223 10 The images presented are very clean however this modern re print is formatted 8 5x11 0 All images are clean however original manuscript WILL NOT BE CENTERED on each page All attempts to bring original Field Manual information from 1972 into modern new printing has been made Sincerely Lorenzo Del Toro Retired Editor TM-9-1005-224-10 Operator's Manual for Machine Gun, 7.62mm, M60 W/E, and M60d W/E Department of Department of Defense,2017-11-30 The 1998 TM 9 1005 224 10 Operator s Manual for the M60 an M60D 7 62 Machine Gun *TM 9-1005-223-10 Operator's Manual for Rifle, 7.62mm, M14, W/E and M14a1, W/E* Department of Department of Defense,2017-11-30 The 1972 Operator s Manual for the 7 62mm M14 and M14A1 W E Rifle

Whispering the Strategies of Language: An Emotional Quest through **Md40a Manual**

In a digitally-driven world where monitors reign great and quick conversation drowns out the subtleties of language, the profound techniques and emotional nuances hidden within words frequently go unheard. However, located within the pages of **Md40a Manual** a interesting literary prize pulsating with raw feelings, lies an exceptional quest waiting to be undertaken. Penned by a skilled wordsmith, that charming opus invites visitors on an introspective trip, softly unraveling the veiled truths and profound influence resonating within the material of every word. Within the mental depths with this poignant review, we can embark upon a honest exploration of the book is primary styles, dissect its charming publishing fashion, and fail to the effective resonance it evokes strong within the recesses of readers hearts.

<https://correiodobrasil.blogosfero.cc/files/scholarship/index.jsp/msce%20exams%202014%20time%20table.pdf>

Table of Contents Md40a Manual

1. Understanding the eBook Md40a Manual
 - The Rise of Digital Reading Md40a Manual
 - Advantages of eBooks Over Traditional Books
2. Identifying Md40a Manual
 - Exploring Different Genres
 - Considering Fiction vs. Non-Fiction
 - Determining Your Reading Goals
3. Choosing the Right eBook Platform
 - Popular eBook Platforms
 - Features to Look for in an Md40a Manual
 - User-Friendly Interface
4. Exploring eBook Recommendations from Md40a Manual
 - Personalized Recommendations
 - Md40a Manual User Reviews and Ratings

- Md40a Manual and Bestseller Lists
- 5. Accessing Md40a Manual Free and Paid eBooks
 - Md40a Manual Public Domain eBooks
 - Md40a Manual eBook Subscription Services
 - Md40a Manual Budget-Friendly Options
- 6. Navigating Md40a Manual eBook Formats
 - ePub, PDF, MOBI, and More
 - Md40a Manual Compatibility with Devices
 - Md40a Manual Enhanced eBook Features
- 7. Enhancing Your Reading Experience
 - Adjustable Fonts and Text Sizes of Md40a Manual
 - Highlighting and Note-Taking Md40a Manual
 - Interactive Elements Md40a Manual
- 8. Staying Engaged with Md40a Manual
 - Joining Online Reading Communities
 - Participating in Virtual Book Clubs
 - Following Authors and Publishers Md40a Manual
- 9. Balancing eBooks and Physical Books Md40a Manual
 - Benefits of a Digital Library
 - Creating a Diverse Reading Collection Md40a Manual
- 10. Overcoming Reading Challenges
 - Dealing with Digital Eye Strain
 - Minimizing Distractions
 - Managing Screen Time
- 11. Cultivating a Reading Routine Md40a Manual
 - Setting Reading Goals Md40a Manual
 - Carving Out Dedicated Reading Time
- 12. Sourcing Reliable Information of Md40a Manual
 - Fact-Checking eBook Content of Md40a Manual
 - Distinguishing Credible Sources

13. Promoting Lifelong Learning
 - Utilizing eBooks for Skill Development
 - Exploring Educational eBooks
14. Embracing eBook Trends
 - Integration of Multimedia Elements
 - Interactive and Gamified eBooks

Md40a Manual Introduction

In this digital age, the convenience of accessing information at our fingertips has become a necessity. Whether its research papers, eBooks, or user manuals, PDF files have become the preferred format for sharing and reading documents. However, the cost associated with purchasing PDF files can sometimes be a barrier for many individuals and organizations. Thankfully, there are numerous websites and platforms that allow users to download free PDF files legally. In this article, we will explore some of the best platforms to download free PDFs. One of the most popular platforms to download free PDF files is Project Gutenberg. This online library offers over 60,000 free eBooks that are in the public domain. From classic literature to historical documents, Project Gutenberg provides a wide range of PDF files that can be downloaded and enjoyed on various devices. The website is user-friendly and allows users to search for specific titles or browse through different categories. Another reliable platform for downloading Md40a Manual free PDF files is Open Library. With its vast collection of over 1 million eBooks, Open Library has something for every reader. The website offers a seamless experience by providing options to borrow or download PDF files. Users simply need to create a free account to access this treasure trove of knowledge. Open Library also allows users to contribute by uploading and sharing their own PDF files, making it a collaborative platform for book enthusiasts. For those interested in academic resources, there are websites dedicated to providing free PDFs of research papers and scientific articles. One such website is Academia.edu, which allows researchers and scholars to share their work with a global audience. Users can download PDF files of research papers, theses, and dissertations covering a wide range of subjects. Academia.edu also provides a platform for discussions and networking within the academic community. When it comes to downloading Md40a Manual free PDF files of magazines, brochures, and catalogs, Issuu is a popular choice. This digital publishing platform hosts a vast collection of publications from around the world. Users can search for specific titles or explore various categories and genres. Issuu offers a seamless reading experience with its user-friendly interface and allows users to download PDF files for offline reading. Apart from dedicated platforms, search engines also play a crucial role in finding free PDF files. Google, for instance, has an advanced search feature that allows users to filter results by file type. By specifying the file type as "PDF," users can find websites that offer free PDF downloads on a

specific topic. While downloading Md40a Manual free PDF files is convenient, its important to note that copyright laws must be respected. Always ensure that the PDF files you download are legally available for free. Many authors and publishers voluntarily provide free PDF versions of their work, but its essential to be cautious and verify the authenticity of the source before downloading Md40a Manual. In conclusion, the internet offers numerous platforms and websites that allow users to download free PDF files legally. Whether its classic literature, research papers, or magazines, there is something for everyone. The platforms mentioned in this article, such as Project Gutenberg, Open Library, Academia.edu, and Issuu, provide access to a vast collection of PDF files. However, users should always be cautious and verify the legality of the source before downloading Md40a Manual any PDF files. With these platforms, the world of PDF downloads is just a click away.

FAQs About Md40a Manual Books

How do I know which eBook platform is the best for me? Finding the best eBook platform depends on your reading preferences and device compatibility. Research different platforms, read user reviews, and explore their features before making a choice. Are free eBooks of good quality? Yes, many reputable platforms offer high-quality free eBooks, including classics and public domain works. However, make sure to verify the source to ensure the eBook credibility. Can I read eBooks without an eReader? Absolutely! Most eBook platforms offer web-based readers or mobile apps that allow you to read eBooks on your computer, tablet, or smartphone. How do I avoid digital eye strain while reading eBooks? To prevent digital eye strain, take regular breaks, adjust the font size and background color, and ensure proper lighting while reading eBooks. What the advantage of interactive eBooks? Interactive eBooks incorporate multimedia elements, quizzes, and activities, enhancing the reader engagement and providing a more immersive learning experience. Md40a Manual is one of the best book in our library for free trial. We provide copy of Md40a Manual in digital format, so the resources that you find are reliable. There are also many Ebooks of related with Md40a Manual. Where to download Md40a Manual online for free? Are you looking for Md40a Manual PDF? This is definitely going to save you time and cash in something you should think about.

Find Md40a Manual :

[*msce exams 2014 time table*](#)

[movie discussion guide university of kentucky](#)

[*mtd pro manual*](#)

[mouvement d paule p le mouill](#)

[msc milling machine manual](#)
[multi channel pwm software pic](#)
[mrs eddy her life her work and her place in history](#)
[ms6669 engine manual](#)
[mtd products manuals](#)
[mr monk goes to the firehouse](#)
[moving historydancing cultures a dance history reader](#)
[mountfield mowers sv150 manual](#)
multilith 1250 service manual
[mtd yard bug owners manual](#)
[ms intercom systems install manual](#)

Md40a Manual :

wavelets and image compression github pages - Sep 26 2022

web in case of lossy compression quantization is done to reduce precision of the values of wavelet transform coefficients so that fewer bits are needed to code the image for example if the transform coefficients are 64 bit floating point numbers while a compression of the order of 8 bits per pixel is required then quantization is necessary

image compression using discrete wavelet transform dwt matlab code - May 23 2022

web jun 21 2018 image compression using wavelet transform 1 wavelet decomposition2 selecting level dependent thersholding 3 compression

github thanif jpeg compression in matlab jpeg compression using - Oct 28 2022

web the steps included in the compression phase are as follows color transform range mapping patch generation dct quantization zigzag encoding huffman encoding the steps included in the decompression phase are as follows huffman decoding zigzag decoding inverse quantization inverse dct

matlab compressive sensing and haar wavelet stack overflow - Feb 17 2022

web mar 21 2015 i want to use cs to reconstruct an image from fewer samples i use gaussian random matrix as measurement matrix my problem is with psi matrix which i want to be haar wavelet coefficients but i don t know how to define it i have used dct and fourier basis and it worked well here is my code with fourier basis

image compression haar wavelet transform by digital - Jul 25 2022

web aug 4 2019 matlab program image compression using haar transformation algorithm clc close all clear all warning off

bs 4 block size im name cameraman1.jpg delta 0 01 in double imread

wavelet transforms in matlab matlab simulink mathworks - Mar 01 2023

web learn how to apply wavelet transforms to do signal and image analysis resources include videos examples and documentation covering wavelet transforms wavelet analysis and wavelet denoising

[ahestevencz icdwt image compression using wavelet transform github](#) - Jan 31 2023

web image compression using wavelet transform icdwt is a matlab gui tool which compresses bmp images using the discrete wavelet transform dwt and compares the results with several compression techniques like jpg and

[wavelet compression for images matlab simulink](#) - Aug 06 2023

web wavelet compression for images in wavelet data compression we addressed the aspects specifically related to compression using wavelets however in addition to the algorithms related to wavelets like dwt and idwt it is necessary to use other ingredients concerning the quantization mode and the coding type in order to deal with true

image compression and wavelets examples in matlab youtube - Apr 02 2023

web jun 15 2020 this video shows how to compress images with wavelets code in matlab book website databookuw.com book pdf databookuw.com databook pdfthese

a lossless image compression algorithm using wavelets and - Apr 21 2022

web feb 26 2019 in this paper a new lossless image compression algorithm is proposed which uses both wavelet and fractional transforms for image compression

pdf image compression using wavelet transform researchgate - Jun 23 2022

web dec 31 2012 image compression using wavelet transform authors dr nidhal m alshareefi university of babylon abstract and figures there are a number of problems to be solved in image compression to make

[image compression github topics github](#) - Dec 30 2022

web feb 21 2018 implemented haar wavelets and lifting scheme for image compression and denoising along with gaussian and laplacian pyramids image compression laplacian pyramid denoising image blending gaussian pyramid haar wavelets

lifting scheme updated on jan 26 2021

wavelet application to image and data compression - Nov 28 2022

web feb 2 2022 in this chapter we discuss wavelet based application to image and data compression need for compression its principles and classes of compression and various algorithm of image compression this chapter gives a recipe for selecting one of the popular image compression algorithms based on wavelet jpeg dct vq and

image coding using wavelet transform ieee journals - Mar 21 2022

web image coding using wavelet transform abstract a scheme for image compression that takes into account psychovisual

features both in the space and frequency domains is proposed this method involves two steps

image compression using wavelets file exchange matlab - Oct 08 2023

web oct 18 2005 image compression using wavelets version 1 0 0 0 1 31 kb by s thayammal subburaj compression using wavelet transform which give better reconstruction 3 8 20 20 8k downloads updated 18 oct 2005

image compression using wavelet file exchange matlab - Jul 05 2023

web jun 30 2008 1 reading an image of either gray scale or rgb image 2 converting the image into grayscale if the image is rgb 3 decomposition of images using wavelets for the level n 4 selecting and assigning a wavelet for compression 5 generating threshold coefficients using birge massart strategy 6 performing the image compression using

a dwt based lossless gray image compression file exchange matlab - May 03 2023

web feb 28 2015 in this code a new hybrid technique using the discrete wavelet transform dwt is presented we show evaluation using the power signal to noise ratio psnr as a measure of quality we show that dwt with threshold quantization and combination of rle and huffman as coding stage provides a better performance than jpeg in terms

[image compression using wavelet matlab stack overflow](#) - Jun 04 2023

web jan 25 2013 my opinion the problem with scaling the images you can divide resulted images by suitable number or use imagesc desire image subplot 1 3 2 imshow compressed image 156 title compressed image subplot 1 3 3 imagesc re ima title reconstructed image

true compression of images using wavelets matlab wcompress - Sep 07 2023

web image compression using basic parameters this example shows how to compress and uncompress the jpeg image arms jpg use the spatial orientation tree wavelet stw compression method and save the compressed image to a file wcompress c arms jpg comp arms wtc stw

wavelet github topics github - Aug 26 2022

web aug 20 2019 mawady colorsymdetect star 15 code issues pull requests wavelet based reflection symmetry detection via textural and color histograms iccv 2017 computer vision detection histogram aesthetics pattern recognition geometry processing wavelet image analysis symmetry gabor updated on nov 16 2021 matlab prateekgv

guide gers gascoigne 2018 2019 petit futa c book - Oct 06 2023

web guide gers gascoigne 2018 2019 petit futa c tropical africa tony binns 2002 09 10 tropical africa is a complex and dynamic region occupying a marginal position in the world economic system the region has seemingly insurmountable problems this book breaks through the complexities with a straightforward and systematic text supported by concise

guide gers gascoigne 2018 2019 petit futa c toyin falola full pdf - Sep 05 2023

web it is your completely own times to undertaking reviewing habit in the course of guides you could enjoy now is guide gers

gascogne 2018 2019 petit futa c below agricultural improvement walter e

guide gers gascogne 2018 2019 petit futa c download only - Sep 24 2022

web guide gers gascogne 2018 2019 petit futa c downloaded from protese odontocompany com by guest patel marsh material histories of time springer many modern french speakers have come to know about the basques through jacques allieres s concise reliable book which we now publish in english for the first time

guide gers gascogne 2018 2019 petit futa c 2023 - Aug 24 2022

web guide gers gascogne 2018 2019 petit futa c when somebody should go to the book stores search foundation by shop shelf by shelf it is in reality problematic this is why we present the book compilations in this website it will completely ease you to see guide guide gers gascogne 2018 2019 petit futa c as you such as

guide gers gascogne 2018 2019 petit futa c pdf - Jul 23 2022

web guide gers gascogne 2018 2019 petit futa c 3 3 most comprehensive guide to myanmar is perfect for both exploring top sights and taking roads less travelled looking for more extensive coverage check out lonely planetsoutheast asia on a shoestring guide about lonely planet lonely planet is a leading travel media company and the world s

guide gers gascogne 2018 2019 petit futa c 2023 - Nov 26 2022

web guide gers gascogne 2018 2019 petit futa c competition law of the european union aug 05 2022 this new sixth edition of a major work by the well known competition law team at van bael bellis in brussels brings the book up to date to take account of the many developments in

guide gers gascogne 2018 2019 petit futa c pdf - Mar 31 2023

web 2 guide gers gascogne 2018 2019 petit futa c 2022 12 25 a philosophy of new media that defines the digitalimage as the process by which the body filters information tocreate images an accursed race wiley blackwell

guide gers gascogne 2018 2019 petit futa c - Jun 02 2023

web books with this one merely said the guide gers gascogne 2018 2019 petit futa c is universally compatible subsequent to any devices to read manual of diagnostic ultrasound world health organization 1995 a didactic illustrated guide to the use of ultrasound as a diagnostic tool in clinical practice

guide gers gascogne 2022 petit futé guides de voyage - Dec 28 2022

web jun 1 2022 guide gers gascogne 2022 petit futé guide gers gascogne 2022 petit futé découvrir la france autrement jouir d un patrimoine culturel naturel et gastronomique d une infinie richesse tels sont l

gers gascogne 2017 2018 petit futa c guides depar basil - Apr 19 2022

web gers gascogne 2017 2018 petit futa c guides depar recognizing the way ways to get this books gers gascogne 2017 2018 petit futa c guides depar is additionally useful you have remained in right site to start getting this info acquire the gers

gascogne 2017 2018 petit futa c guides depar associate that we have the funds for here and check
guide gers gascogne 2018 2019 petit futa c pdf book - Oct 26 2022

web may 19 2023 this guide gers gascogne 2018 2019 petit futa c pdf as one of the most in force sellers here will totally be along with the best options to review guide gers gascogne 2018 2019 petit futa c copy web gers gascogne 2018 2019 petit futé hachette pratique the biogeography of the australian north

guide gers gascogne 2018 2019 petit futé by petit futé - May 21 2022

web guide gers gascogne 2018 2019 petit futé by petit futé author laurenz schierokauer from mail nocodeapi com subject guide gers gascogne 2018 2019 petit futé by petit futé keywords futé futé petit gers by 2019 gascogne petit 2018 guide created date 4 28 2023 7 05 23 am

guide gers gascogne 2018 2019 petit futa c - Jul 03 2023

web guide gers gascogne 2018 2019 petit futa c omb no edited by kane brewer the language question under napoleon hachette pratique un guide sélectif et collégial 35 000 vins goûtés à l aveugle par 1 500 dégustateurs professionnels 8 000 vins retenus notés de 1 à 3 étoiles avec indications de garde plus de 500 coups de

gers gascogne 2017 2018 petit futa c guides depar pdf - Mar 19 2022

web may 28 2023 gers gascogne 2017 2018 petit futa c guides depar 3 8 downloaded from uniport edu ng on may 28 2023 by guest clinical aspects of sleep and sleep disturbance terrence l riley 2016 06 06 clinical aspects of sleep and sleep disturbance montessori madness trevor eissler 2009 we know we need to improve our traditional school system

gers gascogne 2017 2018 petit futa c guides depar 2022 - Jun 21 2022

web 2 gers gascogne 2017 2018 petit futa c guides depar 2019 05 30 cet ebook est une version numérique du guide papier sans interactivité additionnelle partez à la découverte du pays portes de gascogne un patrimoine et un environnement exceptionnel une gastronomie incontournable et des villes charmantes fleurance lecture l isle

guide gers gascogne 2018 2019 petit futa c mail lafamigliawv - Aug 04 2023

web guide gers gascogne 2018 2019 petit futa c downloaded from mail lafamigliawv com by guest mills deandre guide hachette des vins 2019 newnes the neu med project is part of the horizon 2020 programme in the erc

le gers version futé sud ouest - Jan 29 2023

web jun 15 2013 le guide petit futé gers gascogne 2013 est disponible en librairie pour répondre à ces attentes 1 après quelque temps de sommeil c est la deuxième année que l édition renommée gers

guide gers gascogne 2018 2019 petit futa c uniport edu - Feb 15 2022

web aug 8 2023 guide gers gascogne 2018 2019 petit futa c recognizing the artifice ways to get this ebook guide gers gascogne 2018 2019 petit futa c is additionally useful you have remained in right site to start getting this info acquire the

guide gers gascogne 2018 2019 petit futa c member that we have the funds for here and check out the link

guide gers gascogne 2018 2019 petit futa c full pdf - Feb 27 2023

web guide du routard midi toulousain pyrénées gascogne 2019 explanatory report on protocol no 7 to the convention for the protection of human rights and fundamental freedoms markets for water

guide gers gascogne 2018 2019 petit futé by petit futé - May 01 2023

web guide gers gascogne 2018 2019 petit futé by petit futé laougu domaine publicaciones facebook april 24th 2020 bernède 32 5 km d aire sur adour 30 km de mont de marsan 45 km de pau 55 km de tarbes 80 km d auch 19 20

de que color es un beso rocio bonilla casa del - Jun 14 2023

web de que color es un beso rocio bonilla algar 9788498457841 12 escribe tu opinión infantil infantil 3 a 4 años Álbumes ilustrados sinopsis de de que color es un beso a mónica le encanta pintar mil cosas de colores mariquitas rojas cielos azules plátanos amarillos pero nunca ha pintado un beso de qué color será

de qué color es un beso youtube - Feb 27 2022

web vídeo cuento para soñar con el cole de los besos que según el día pueden ser multicolores

de qué color es un beso 77 Álbumes ilustrados - Sep 17 2023

web disfruta de miles de audiolibros y podcasts originales de qué color es un beso 77 Álbumes ilustrados bonilla raya rocio bonilla raya rocio amazon es libros

reseña de qué color es un beso apegoyliteratura - Aug 04 2022

web con minimoni iremos a la búsqueda de un color adecuado para representar algo intangible como un beso a lo largo del cuento se va asociando cada color a una emoción a un estado de ánimo lo podría pintar rojo como la salsa de mis espaguetis definitivamente no

de qué color es un beso rocio bonilla - Oct 06 2022

web un beso de rocio bonilla es una experiencia única una mezcla de colores emociones y sentimientos que te harán vibrar descubre el color del amor con su mágico toque

de qué color es un beso Álbumes ilustrados band 77 - Jun 02 2022

web de qué color es un beso Álbumes ilustrados band 77 bonilla raya rocio amazon com tr kitap

de qué color es un beso Álbumes ilustrados librotea - Mar 11 2023

web a mónica le encanta pintar mil cosas de colores mariquitas rojas cielos azules plátanos amarillos pero nunca ha pintado un beso de qué color será rojo como una deliciosa salsa de tomate no porque también es el

de qué color es un beso Álbumes ilustrados rocio bonilla - May 13 2023

web de qué color es un beso Álbumes ilustrados rocio bonilla amazon es libros saltar al contenido principal es hola elige tu

dirección libros selecciona el departamento que quieras buscar buscar amazon es

de qué color es un beso Álbumes ilustrados band 26 amazon de - Jan 09 2023

web may 5 2018 de qué color es un beso Álbumes ilustrados band 26 rocio bonilla amazon de books

de qué color es un beso 77 Álbumes ilustrados tapa dura - Apr 12 2023

web de qué color es un beso 77 Álbumes ilustrados de bonilla raya rocio en iberlibro com isbn 10 8491421653 isbn 13 9788491421658 algar editorial 2018 tapa dura

amazon es opiniones de clientes de qué color es un beso 77 - Dec 08 2022

web vea reseñas y calificaciones de reseñas que otros clientes han escrito de de qué color es un beso 77 Álbumes ilustrados en amazon com lea reseñas de productos sinceras e imparciales de nuestros usuarios

de qué color es un beso Álbumes ilustrados band 26 amazon de - Nov 07 2022

web de qué color es un beso Álbumes ilustrados band 26 rocio bonilla isbn 9788498457841 kostenloser versand für alle bücher mit versand und verkauf duch amazon de qué color es un beso Álbumes ilustrados band 26 rocio bonilla amazon de bücher zum hauptinhalt wechseln de hallo lieferadresse wählen alle

amazon com customer reviews de qué color es un beso - Sep 05 2022

web find helpful customer reviews and review ratings for de qué color es un beso at amazon com read honest and unbiased product reviews from our users

de qué color es un beso Álbumes ilustrados rocio bonilla - Feb 10 2023

web sinopsis sobre este título a mónica le encanta pintar mil cosas de colores mariquitas rojas cielos azules plátanos amarillos pero nunca ha pintado un beso de qué color será rojo como una deliciosa salsa de tomate no porque también es el color de cuando estás enfadado

de que color es un beso Álbumes ilustrados amazon com tr - Mar 31 2022

web de que color es un beso Álbumes ilustrados bonilla rocio amazon com tr kitap

de qué color es un beso algar editorial - Aug 16 2023

web imposible porque es el color de las verduras y no le gusta comérselas cómo podría averiguar de qué color es un beso descúbrelo con minimoni mientras aprendes los colores los animales y muchas cosas más también disponible en vasco isbn 9788491420606 y en gallego isbn 9788491420590 sin duda de qué color es

de qué color es un beso Álbumes ilustrados - Oct 18 2023

web de qué color es un beso Álbumes ilustrados rocio bonilla amazon es libros libros infantil aprendizaje temprano nuevo 16 11 precio recomendado 16 95 ahorra 0 84 5 los precios incluyen iva entrega por 3 50 entre el 11 12 de septiembre ver detalles elige tu dirección envío en 2 a 3 días cantidad

de qué color es un beso hardcover february 1 2018 - Jul 15 2023

web feb 1 2018 amazon com de qué color es un beso 9788491421658 bonilla raya rocío bonilla raya rocío books

de qué color es un beso literatil - May 01 2022

web mar 30 2016 rocío bonilla de qué color es un beso algar 2015 conocemos a rocío por cara de pájaro y la montaña más alta de libros además de la entrevista que le hicimos aquí no podíamos esperar menos de ella que derrocha creatividad y talento que algo como este nuevo álbum ilustrado íntegramente realizado por ella sólo con las

de qué color es un beso Álbumes ilustrados hardcover - Jul 03 2022

web de qué color es un beso Álbumes ilustrados hardcover rocío bonilla 4 12 durchschnittliche bewertung 629 bewertungen bei goodreads hardcover isbn 10 849845784x isbn 13 9788498457841 verlag algar editorial 2015 alle exemplare der ausgabe mit dieser isbn anzeigen inhaltsangabe Über diesen titel Über diese