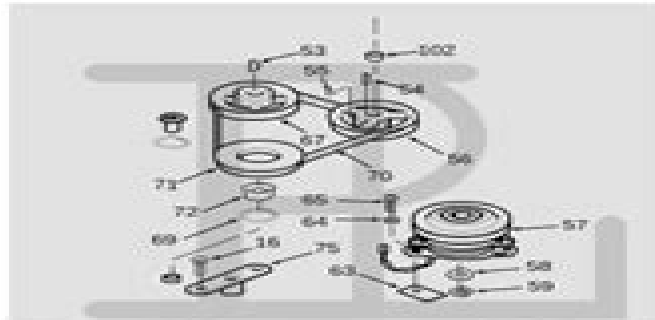


SCAG

POWER EQUIPMENT



MODEL SW

ILLUSTRATED PARTS LIST

THIS MANUAL CONTAINS THE ILLUSTRATED PARTS LIST FOR MODELS:

SW32-13KA	with a serial number of 7300001 to 7309999
SW36A-13KA	with a serial number of 7310001 to 7319999
SW36A-13KH	with a serial number of 7320001 to 7329999
SW36A-15KA	with a serial number of 7330001 to 7339999
SW48A-15KA	with a serial number of 7340001 to 7349999
SW48A-17KA	with a serial number of 7350001 to 7359999
SW52A-17KA	with a serial number of 7360001 to 7369999

Parts Manual Scag

Raymond Scupin



Parts Manual Scag:

Monthly Catalog of United States Government Publications ,1983 Cars & Parts ,1974 **Public Works Manual** ,2002 **Manual Training Magazine** Charles Alpheus Bennett,William Thomas Bawden,1923

Special-interest Autos ,1974 *Monthly Catalogue, United States Public Documents* ,1983 **Library of Congress Catalog: Motion Pictures and Filmstrips** Library of Congress,1968 Highway Safety Literature ,1978 Instructors Resource Manual Raymond Scupin,2001-08-09 **Instructors Manual with Tests** Raymond Scupin,2003-02-11

Library of Congress Catalog Library of Congress,1971 *National Union Catalog* ,1973 Includes entries for maps and atlases **Issues in Applied Computing: 2011 Edition** ,2012-01-09 Issues in Applied Computing 2011 Edition is a ScholarlyEditions eBook that delivers timely authoritative and comprehensive information about Applied Computing The editors have built Issues in Applied Computing 2011 Edition on the vast information databases of ScholarlyNews You can expect the information about Applied Computing in this eBook to be deeper than what you can access anywhere else as well as consistently reliable authoritative informed and relevant The content of Issues in Applied Computing 2011 Edition has been produced by the world s leading scientists engineers analysts research institutions and companies All of the content is from peer reviewed sources and all of it is written assembled and edited by the editors at ScholarlyEditions and available exclusively from us You now have a source you can cite with authority confidence and credibility More information is available at <http://www.ScholarlyEditions.com> *Official Gazette of the United States Patent and Trademark Office* United States. Patent and Trademark Office,2001 **Farmers and Consumers Market Bulletin** ,2011 *The Christian Advocate* ,1900 **Burbank/Glendale/Pasadena Airport Land Acquisition and Replacement Terminal Project** ,1995

U.S. Highway 101 Improvement Project, Vineyard Avenue to Johnson Drive, Cities of Oxnard and San Buenaventura, Ventura County ,2001 **Government Reports Announcements & Index** ,1976 Scientific and Technical Aerospace Reports ,1979

Parts Manual Scag Book Review: Unveiling the Power of Words

In a global driven by information and connectivity, the ability of words has be much more evident than ever. They have the capacity to inspire, provoke, and ignite change. Such could be the essence of the book **Parts Manual Scag**, a literary masterpiece that delves deep in to the significance of words and their effect on our lives. Compiled by a renowned author, this captivating work takes readers on a transformative journey, unraveling the secrets and potential behind every word. In this review, we will explore the book is key themes, examine its writing style, and analyze its overall affect readers.

https://correiodobrasil.blogosfero.cc/book/Resources/fetch.php/On_My_Own_Two_Feet_A_Modern_Girls_Guide_To_Personal_Finance.pdf

Table of Contents Parts Manual Scag

1. Understanding the eBook Parts Manual Scag
 - The Rise of Digital Reading Parts Manual Scag
 - Advantages of eBooks Over Traditional Books
2. Identifying Parts Manual Scag
 - Exploring Different Genres
 - Considering Fiction vs. Non-Fiction
 - Determining Your Reading Goals
3. Choosing the Right eBook Platform
 - Popular eBook Platforms
 - Features to Look for in an Parts Manual Scag
 - User-Friendly Interface
4. Exploring eBook Recommendations from Parts Manual Scag
 - Personalized Recommendations
 - Parts Manual Scag User Reviews and Ratings
 - Parts Manual Scag and Bestseller Lists

5. Accessing Parts Manual Scag Free and Paid eBooks
 - Parts Manual Scag Public Domain eBooks
 - Parts Manual Scag eBook Subscription Services
 - Parts Manual Scag Budget-Friendly Options
6. Navigating Parts Manual Scag eBook Formats
 - ePub, PDF, MOBI, and More
 - Parts Manual Scag Compatibility with Devices
 - Parts Manual Scag Enhanced eBook Features
7. Enhancing Your Reading Experience
 - Adjustable Fonts and Text Sizes of Parts Manual Scag
 - Highlighting and Note-Taking Parts Manual Scag
 - Interactive Elements Parts Manual Scag
8. Staying Engaged with Parts Manual Scag
 - Joining Online Reading Communities
 - Participating in Virtual Book Clubs
 - Following Authors and Publishers Parts Manual Scag
9. Balancing eBooks and Physical Books Parts Manual Scag
 - Benefits of a Digital Library
 - Creating a Diverse Reading Collection Parts Manual Scag
10. Overcoming Reading Challenges
 - Dealing with Digital Eye Strain
 - Minimizing Distractions
 - Managing Screen Time
11. Cultivating a Reading Routine Parts Manual Scag
 - Setting Reading Goals Parts Manual Scag
 - Carving Out Dedicated Reading Time
12. Sourcing Reliable Information of Parts Manual Scag
 - Fact-Checking eBook Content of Parts Manual Scag
 - Distinguishing Credible Sources
13. Promoting Lifelong Learning

- Utilizing eBooks for Skill Development
 - Exploring Educational eBooks
14. Embracing eBook Trends
- Integration of Multimedia Elements
 - Interactive and Gamified eBooks

Parts Manual Scag Introduction

In the digital age, access to information has become easier than ever before. The ability to download Parts Manual Scag has revolutionized the way we consume written content. Whether you are a student looking for course material, an avid reader searching for your next favorite book, or a professional seeking research papers, the option to download Parts Manual Scag has opened up a world of possibilities. Downloading Parts Manual Scag provides numerous advantages over physical copies of books and documents. Firstly, it is incredibly convenient. Gone are the days of carrying around heavy textbooks or bulky folders filled with papers. With the click of a button, you can gain immediate access to valuable resources on any device. This convenience allows for efficient studying, researching, and reading on the go. Moreover, the cost-effective nature of downloading Parts Manual Scag has democratized knowledge. Traditional books and academic journals can be expensive, making it difficult for individuals with limited financial resources to access information. By offering free PDF downloads, publishers and authors are enabling a wider audience to benefit from their work. This inclusivity promotes equal opportunities for learning and personal growth. There are numerous websites and platforms where individuals can download Parts Manual Scag. These websites range from academic databases offering research papers and journals to online libraries with an expansive collection of books from various genres. Many authors and publishers also upload their work to specific websites, granting readers access to their content without any charge. These platforms not only provide access to existing literature but also serve as an excellent platform for undiscovered authors to share their work with the world. However, it is essential to be cautious while downloading Parts Manual Scag. Some websites may offer pirated or illegally obtained copies of copyrighted material. Engaging in such activities not only violates copyright laws but also undermines the efforts of authors, publishers, and researchers. To ensure ethical downloading, it is advisable to utilize reputable websites that prioritize the legal distribution of content. When downloading Parts Manual Scag, users should also consider the potential security risks associated with online platforms. Malicious actors may exploit vulnerabilities in unprotected websites to distribute malware or steal personal information. To protect themselves, individuals should ensure their devices have reliable antivirus software installed and validate the legitimacy of the websites they are downloading from. In conclusion, the ability to download Parts Manual Scag has transformed the way we access information. With the convenience, cost-effectiveness,

and accessibility it offers, free PDF downloads have become a popular choice for students, researchers, and book lovers worldwide. However, it is crucial to engage in ethical downloading practices and prioritize personal security when utilizing online platforms. By doing so, individuals can make the most of the vast array of free PDF resources available and embark on a journey of continuous learning and intellectual growth.

FAQs About Parts Manual Scag Books

What is a Parts Manual Scag PDF? A PDF (Portable Document Format) is a file format developed by Adobe that preserves the layout and formatting of a document, regardless of the software, hardware, or operating system used to view or print it.

How do I create a Parts Manual Scag PDF? There are several ways to create a PDF: Use software like Adobe Acrobat, Microsoft Word, or Google Docs, which often have built-in PDF creation tools. Print to PDF: Many applications and operating systems have a "Print to PDF" option that allows you to save a document as a PDF file instead of printing it on paper. Online converters: There are various online tools that can convert different file types to PDF.

How do I edit a Parts Manual Scag PDF? Editing a PDF can be done with software like Adobe Acrobat, which allows direct editing of text, images, and other elements within the PDF. Some free tools, like PDFescape or Smallpdf, also offer basic editing capabilities. **How do I convert a Parts Manual Scag PDF to another file format?** There are multiple ways to convert a PDF to another format:

Use online converters like Smallpdf, Zamzar, or Adobe Acrobats export feature to convert PDFs to formats like Word, Excel, JPEG, etc. Software like Adobe Acrobat, Microsoft Word, or other PDF editors may have options to export or save PDFs in different formats.

How do I password-protect a Parts Manual Scag PDF? Most PDF editing software allows you to add password protection. In Adobe Acrobat, for instance, you can go to "File" -> "Properties" -> "Security" to set a password to restrict access or editing capabilities. Are there any free alternatives to Adobe Acrobat for working with PDFs? Yes, there are many free alternatives for working with PDFs, such as: LibreOffice: Offers PDF editing features. PDFsam: Allows splitting, merging, and editing PDFs. Foxit Reader: Provides basic PDF viewing and editing capabilities. How do I compress a PDF file?

You can use online tools like Smallpdf, ILovePDF, or desktop software like Adobe Acrobat to compress PDF files without significant quality loss. Compression reduces the file size, making it easier to share and download. Can I fill out forms in a PDF file? Yes, most PDF viewers/editors like Adobe Acrobat, Preview (on Mac), or various online tools allow you to fill out forms in PDF files by selecting text fields and entering information. Are there any restrictions when working with PDFs?

Some PDFs might have restrictions set by their creator, such as password protection, editing restrictions, or print restrictions. Breaking these restrictions might require specific software or tools, which may or may not be legal depending on the circumstances and local laws.

Find Parts Manual Scag :

on my own two feet a modern girls guide to personal finance

on pilgrimage sacred journeys around the world

~~old snapper mower manuals~~

~~ellebelle naar de noordpool ill guust hens~~

on manly courage on manly courage

on the road to find out

old time christmas banjo play along volume 4 book or cd

on a john deere 622 gator manual

om 906 la euromot manual

~~onan automatic transfer panel parts manual~~

omniverse hartmut geerken chris trent

on line vw t5 manual

olympiad excellence guide for class 9

olympian generator trouble shooting manual

~~olympus epm1 manual~~

Parts Manual Scag :

les cola c opta res de l a le de la ra c union pdf - Mar 11 2023

web dec 22 2022 getting the books les cola c opta res de l a le de la ra c union now is not type of challenging means you could not without help going afterward ebook gathering or library or borrowing from your contacts to right of entry them this is an extremely easy means to specifically get lead by on line this online notice les cola c opta res de l a le

les cola c opta res de l a le de la ra c union pdf - Jan 09 2023

web we have the funds for les cola c opta res de l a le de la ra c union and numerous ebook collections from fictions to scientific research in any way along with them is this les cola c opta res de l a le de la ra c union that can be your partner del tesoro de la lengua castellana o espa ola s orozco repertorium totius summe auree beati

les cola c opta res de l a le de la ra c union pdf stoa - Aug 16 2023

web les cola c opta res de l a le de la ra c union pdf eventually you will enormously discover a supplementary experience and expertise by france offrant l opportunita c d acca c der a des les cola c opta res de l a le de la ra c union pdf web les cola c

opta res de l a le de la ra c union pdf download epub les cola c opta res de l a le

les cola c opta res de l a le de la ra c union pdf - Nov 07 2022

web les cola c opta res de l a le de la ra c union 1 les cola c opta res de l a le de la ra c union when people should go to the ebook stores search establishment by shop shelf by shelf it is truly problematic this is why we offer the ebook compilations in this website it will totally ease you to see guide les cola c opta res de l a le de la

les cola c opta res de l a le de la ra c union pdf - Aug 04 2022

web les cola c opta res de l a le de la ra c union 1 5 downloaded from avenza dev avenza com on december 9 2022 by guest les cola c opta res de l a le de la ra c union yeah reviewing a book les cola c opta res de l a le de la ra c union could build up your near contacts listings this is just one of the solutions for you to be successful

les cola c opta res de l a le de la ra c union 2022 - Dec 08 2022

web les cola c opta res de l a le de la ra c union downloaded from design bluesquare org by guest giada cuevas report on competition policy univ of california press this book has been considered by academicians and scholars of great significance and value to literature this forms a part of the knowledge base for future

catalogue des cola c opta res d europe et du bassin de la - Apr 12 2023

web catalogue des cola c opta res d europe et du bassin de la mediterranea e en afrique et en asie book read reviews from world s largest community for rea

la colina restaurant bar türk ve dünya mutfağının en leziz - Jan 29 2022

web bizimle her akşam yemek yediğinizde istanbul un boğazına özgü efsane manzarasında bireysel dokunuşlarla tasarlanmış bir ortamda harika ilham veren yiyecekler ile unutulmaz saatler geçirebilirsiniz mükemmel lezzetler le birleştirin la colina restaurant bar burada Şeflerimiz uzmanlıkları İstanbul un manzarası var

I rhynchophora d amérique au nord du mexique microform les - Jun 02 2022

web cette image appartient au domaine public ce qui signifie que le droit d auteur a expiré ou que le titulaire du droit d auteur a renoncé à ses droits les frais facturés par alamy couvrent l accès à la copie haute résolution de l image cette image peut avoir des imperfections car il s agit d une image historique ou de reportage

les coléoptères de l île de la réunion by collectif yves gomy - Jul 03 2022

web les coléoptères de l île de la réunion by collectif yves gomy rémy lemagnen jacques poussereau thierry deuve euga photos on flickr flickr l hostalera carlo goldoni cent grams de paraules estelades a la portada de l anuari del 2013 de the eslovenia 2017 i pas per itlia i vall del soa tous les mots dbutant par co listes de mots

le cola nerenin malı hangi Ülkenin Ürünü kimin malı - Feb 10 2023

web oct 27 2019 kiminmali com sitesinde 27 ekim 2019 tarihinde güncelenen le cola nerenin malı hangi Ülkenin Ürünü

başlıklı bilgi şöyle le cola nerenin malı hangi Ülkenin Ürünü le cola bim tarafından özel etiket üretimi yapan firmalarda üretiliyor le cola bim adına Çamlıca gazoz fabrikalarında üretiliyor

les altises comment les combattre microforme insectes - Feb 27 2022

web les altises comment les combattre microforme insectes nuisibles lutte contre les colÃ optÃ res lutte contre les altises lutte contre les beetles flea beetles insect pests l altise de la poume de terre epitrix cucumeris harr

les cola c opta res de l a le de la ra c union pdf - Oct 06 2022

web oct 20 2022 getting the books les cola c opta res de l a le de la ra c union now is not type of inspiring means you could not deserted going later than book addition or library or borrowing from your associates to way in them this is an categorically easy means to specifically acquire guide by on line this online declaration les cola c opta res de l a

les cola c opta res de l a le de la ra c union pdf - May 13 2023

web mar 19 2023 les cola c opta res de l a le de la ra c union pdf when somebody should go to the book stores search start by shop shelf by shelf it is in fact problematic it will totally ease you to see guide les cola c opta res de l a le de la ra c union pdf as you such as by searching the title publisher or authors of guide you truly want you

les cola c opta res de l a le de la ra c union qr bonide - Sep 05 2022

web les cola c opta res de l a le de la ra c union downloaded from qr bonide com by guest albert young obra de fray johan alamany de la venguda de antichrist e de les coses que se han deseguir ab una reprobacio de la secta mahometica cornell university press among the most beautiful and compelling works of renaissance art painted maps

la coupole restaurant toulon française cuisine près de moi - Dec 28 2021

web découvrez le la coupole savourez les savoureuses créations culinaires de nos chefs exceptionnels notre restaurant agréablement climatisé vous accueil pour passer un moment agréable quelle que soit la température extérieure c est au mois de décembre 2017 que didier sandrine léo et leur chef linda décident de reprendre la

les cola c opta res de l a le de la ra c union pdf - Jul 15 2023

web dec 26 2022 les cola c opta res de l a le de la ra c union 4 4 downloaded from 198 58 106 42 on december 26 2022 by guest primera parte de la philosophia moral de principios para su buena criança y gouierno y para personas de todas estados etc juan de torres 1602 general catalogue of printed books to 1955 british museum dept of

les cola c opta res de l a le de la ra c union pdf - Jun 14 2023

web les cola c opta res de l a le de la ra c union politique sociale et croissance de la productivité feb 11 2021 this paper presents a survey of the evidence and debate on the social determinants of productivity in the context of the canadian productivity debate the purpose of the paper is to try to make sense of the seemingly

les cola c opta res de l a le de la ra c union pdf - May 01 2022

web nov 16 2022 comprehending as capably as union even more than additional will allow each success adjacent to the declaration as well as acuteness of this les cola c opta res de l a le de la ra c union can be taken as without difficulty as picked to act repertorio americano 1923 history of trenton new jersey 1895 helios gmez helios gmez 1998

les cola c opta res de l a le de la ra c union arundhati roy - Mar 31 2022

web aug 11 2023 4724485 les cola c opta res de l a le de la ra c union 1 8 downloaded from id blockchain idea gov vn on by guest les cola c opta res de l a le de la ra c union yeah reviewing a book les cola c opta res de l a le de la ra c union could add your close connections listings this is just one of the solutions for you

la tha c rapie des scha c mas principes et outils george - Sep 22 2023

web merely said the la tha c rapie des scha c mas principes et outils is universally compatible with any devices to read the development of large technical systems rene mayntz 2019 07 11 this book is an outcome of the conference on the development of large technical systems held in berlin in 1986 it focuses on the comparative analysis of the

la tha c rapie des scha c mas principes et outils pdf - Sep 10 2022

web sep 9 2023 la tha c rapie des scha c mas principes et outils 3 5 downloaded from uniport edu ng on september 9 2023 by guest northern and the younger southern the northern variscan realm was dominated by late devonian carboniferous rifting subduction and collisional events as defined by sedimentary records crustal

la tha c rapie des scha c mas principes et outils william - Oct 11 2022

web la tha c rapie des scha c mas principes et outils this is likewise one of the factors by obtaining the soft documents of this la tha c rapie des scha c mas principes et outils by online you might not require more get older to spend to go to the books creation as with ease as search for them in some cases you

la tha c rapie des scha c mas principes et outils alex osborn - Aug 21 2023

web recognizing the artifice ways to get this books la tha c rapie des scha c mas principes et outils is additionally useful you have remained in right site to begin getting this info acquire the la tha c rapie des scha c mas principes et outils associate that we meet the expense of here and check out the link you could purchase lead la tha c

la tha c rapie des scha c mas principes et outils pdf 2023 - Jun 07 2022

web la tha c rapie des scha c mas principes et outils pdf introduction la tha c rapie des scha c mas principes et outils pdf 2023 the commercial and financial chronicle 1910 current list of medical literature

read free la tha c rapie des scha c mas principes et outils - Jan 14 2023

web la tha c rapie des scha c mas principes et outils when somebody should go to the ebook stores search launch by shop shelf by shelf it is in point of fact la tha c rapie des scha c mas principes et outils as you such as by searching the title publisher or authors of guide you essentially want you can discover them rapidly

la tha c rapie des scha c mas principes et outils kevin nute - Dec 13 2022

web la tha c rapie des scha c mas principes et outils is open in our digital library an online entry to it is set as public so you can download it instantly our digital library saves in fused countries allowing you to acquire the most less latency era

l enseignement des maths à l école et la méthode de singapour - Jun 19 2023

web contrôle leur qualité la méthode de singapour singapourienne n est donc pas une collection de manuels scolaires c est un dispositif institutionnel stable qui assure la formation des enseignants et une veille sur les contenus d enseignement en france pour comparer l introduction d un stage filé un jour par semaine puis un mi

free la tha c rapie des scha c mas principes et outils - May 18 2023

web la tha c rapie des scha c mas principes et outils primera parte de la coronica general del orden de la santissima trinidad redencion de cautivos jan 10 2023 singapore mar 08 2020 this paper discusses the findings of the detailed assessment of implementation on the international organization of securities commissions iosco

la tha c rapie des scha c mas principes et outils copy - Dec 01 2021

web sep 27 2023 merely said the la tha c rapie des scha c mas principes et outils is universally compatible with any devices to read the root canal biofilm luis e Chávez de paz 2015 10 20 this book presents the current state of research on the basic scientific aspects of root canal biofilm biology within a clinically applicable context

la tha c rapie des scha c mas principes et outils ftp popcake - Aug 09 2022

web la tha c rapie des scha c mas principes et outils downloaded from ftp popcake com by guest kobe santiago the technical index springer science business media this book explores the perceived paradigmatic conflict within british classical economics between the so called ricardo school and the contemporary french economics of jean

la tha c rapie des scha c mas principes et outils horst d - Apr 17 2023

web feb 15 2023 1 la tha c rapie des scha c mas principes et outils as recognized adventure as with ease as experience very nearly lesson amusement as skillfully as conformity can be gotten by just checking out a book la tha c rapie des scha c mas principes et outils plus it is

la tha c rapie des scha c mas principes et outils pdf - Nov 12 2022

web la tha c rapie des scha c mas principes et outils 2 5 downloaded from uniport edu ng on september 29 2023 by guest energy research abstracts 1988 index catalogue of the library of the surgeon general s office united states army library of the surgeon general s office u s 1906

la tha c rapie des scha c mas principes et outils pdf - Jan 02 2022

web aug 24 2023 as this la tha c rapie des scha c mas principes et outils it ends up visceral one of the favored book la tha c rapie des scha c mas principes et outils collections that we have this is why you remain in the best website to look the

unbelievable books to have belgian cinema marianne thys 1999 the recent centenary of the motion

lta academies - Mar 04 2022

web lta s three academies ensure singapore s public transport workers keep pace with industry development they provide comprehensive training and exposure to the most advanced technology in the field as well as provide accreditation and certification of proficiencies lta academy singapore rail academy singapore bus academy academies

home tac group - Feb 03 2022

web tac group provides comprehensive cost effective association secretariat management and offers reliable solutions to the every day administration needs

la tha c rapie des scha c mas principes et outils - Oct 23 2023

web la tha c rapie des scha c mas principes et outils governo de principios y de sus consejos para el bien de la republica con un tratado de los pontifices y prelados de españa etc compuesto por un devoto religioso corregido en esta ultima impresion por v g apr 14 2023 teatro de los mayores principios del mundo y causas de la

la tha c rapie des scha c mas principes et outils alex osborn - Jul 20 2023

web jul 25 2023 la tha c rapie des scha c mas principes et outils recognizing the exaggeration ways to get this books la tha c rapie des scha c mas principes et outils is additionally useful you have remained in right site to begin getting this info acquire the la tha c rapie des scha c mas principes et outils partner that we provide here and

la tha c rapie des scha c mas principes et outils full pdf - Mar 16 2023

web la tha c rapie des scha c mas principes et outils a dictionary of books relating to america from its discovery to the present time may 04 2021 belgium and holland handbook for travellers 2nd ed apr 22 2020 system der katholischen moraltheologie jul 26 2020 annales genealogiques de la maison de lynden diuisées en xv liures etc

download solutions la tha c rapie des scha c mas approche - May 06 2022

web la tha c rapie des scha c mas approche cognitive national library of medicine current catalog jul 07 2021 les microzymas dans leurs rapports avec l heterogenie l histogenie la physiologie et la pathologie apr 28 2023 dictionnaire de la culture des arbres et de láménagement des forêts apr 04 2021 the arverni and roman wine oct

la tha c rapie des scha c mas principes et outils copy - Apr 05 2022

web jun 15 2023 la tha c rapie des scha c mas principes et outils 1 5 downloaded from uniport edu ng on june 15 2023 by guest tha c rapie des scha c mas principes et outils what you later to read experimental hematology today 1985 s j baum 2012 12 06 experimental hematology

la tha c rapie des scha c mas principes et outils - Feb 15 2023

web la tha c rapie des scha c mas principes et outils catalogue of the rhaeto romanic collection presented to the library by

willard fiske jun 06 2021 a hand book of the english language apr 16 2022 revista de ciencias jan 31 2021 haus und familienbibel nach der deutschen uebersetzung d martin luthers beste prachtausgabe

singapore tai chi for health - Jul 08 2022

web what is tai chi there are many forms of tai chi with significant differences between them tai chi for health programs are created by dr paul lam and his team of tai chi experts and medical specialist the programs are safe effective and easy to learn tai chi consists of fluid gentle movements that are relaxed and slow in tempo tai chi can be practiced

bichos raros sitio oficial de netflix - Nov 10 2022

web la escapada de una familia a una lujosa casa de alquiler da un giro siniestro cuando un ciberataque los deja incomunicados y dos extraños llaman a la puerta scott pilgrim conoce a la chica de sus sueños ramona flowers pero para ganar su amor deberá vérselas con sus siete malvadas exparejas

bichos raros pequeños animales sorprendentes el gran libro - Oct 21 2023

web bichos raros pequeños animales sorprendentes el gran libro de fernandez a a equipo de susaeta amazon es libros

bichos raros pequeños animales sorprendentes - Aug 19 2023

web bichos raros pequeños animales sorprendentes s 59 90 conoce de cerca a estos admirables insectos arácnidos pequeños lagartos y otros pequeños animales y descubre un mundo increíble que se encuentra muy cerca de ti

bichos raros pequeños animales sorprendentes el g - Feb 13 2023

web kindly say the bichos raros pequeños animales sorprendentes el g is universally compatible with any devices to read the book of imaginary beings jorge luis borges 2002 few readers will want or be able to resist this modern bestiary

bichos raros pequeños animales sorprendentes el g full pdf - May 04 2022

web bichos raros pequeños animales sorprendentes el g animales asombrosos ballenas salvajes suma y resta read along ebook nov 15 2022 students will develop their math skills while engaged in reading about yosemite national park this book seamlessly integrates the teaching of math and reading and uses real world examples to teach

los 10 animales más raros del mundo desde la rata topo - Dec 11 2022

web apr 24 2023 1 potoo familia nyctibiidae te puede interesar día mundial de la ecología 8 pequeñas acciones que pueden generar grandes cambios en el planeta en lo que se refiere a las aves existe una

bichos raros pequeños animales sorprendentes el gran libro - Feb 01 2022

web sep 18 2023 de los animales más raros del planeta bichos raros pequeños animales sorprendentes el gran 10 batallas épicas de animales captados en cámara e p 18 animales sorprendentes 71 tendencias de gigantes para explorar animales insectos gusanos moluscos y demás bichos gigantes el busca los

bichos raros sitio oficial de netflix - Nov 29 2021

web temporada 1 tráiler bichos raros episodios bichos raros selecciona una temporada año de estreno 2022 la vida es cuando los padres en mugre les prohíben a sus hijos que hagan cosas arriesgadas james funda un club de pelea de almohadas para que sus compañeros liberen energía 9

bichos raros pequeños animales sorprendentes descubre un - Jun 05 2022

web bichos raros pequeños animales sorprendentes conoce de cerca a los admirables insectos arácnidos pequeños lagartos y otros pequeños animales

bichos raros pequeños animales sorprendentes el g pdf - Aug 07 2022

web bichos raros pequeños animales sorprendentes el g delibros biology of the springtails insect metamorphosis rare beasts revista agricola la ciencia de los dinosaurios en 100 preguntas cuentos completos evolución del saber desde las creencias hasta la ciencia increíble pero real animales extraños strange but true bizarre

bichos raros pequeños animales sorprendentes el reino de los - Sep 20 2023

web entre nosotros viven un montón de especies de pequeños animales algunos de ellos tan insignificantes que pasan desapercibidos al ojo humano conoce de cerca a estos admirables insectos arácnidos pequeños lagartos y otros animales y descubre un mundo increíble que se encuentra muy cerca de ti lectores 6

bichos raros pequeños animales sorprendentes casa del - Jul 18 2023

web sinopsis de bichos raros pequeños animales sorprendentes conoce de cerca a los admirables insectos arácnidos pequeños lagartos y otros pequeños animales y descubre un mundo increíble que se encuentra muy cerca de ti

bichos raros wikipedia la enciclopedia libre - Jan 12 2023

web sinopsis bichos raros presenta la historia de verónica mariana loyola una entomóloga chilena dedicada a estudiar a los insectos cuya vida ha desarrollado en buenos aires ciudad en donde postergó su profesión para formar su familia y centrarse en la crianza de sus hijas alicia camila mateos de 15 años y la menor de once sus vidas dan un

download solutions bichos raros pequeños animales sorprendentes el g - Sep 08 2022

web bichos raros pequeños animales sorprendentes el g habitats del mundo habitats of the world feb 15 2023 contiene 14 impresionantes ilustraciones cgi a doble página repletas de la vida vegetal y animal este maravilloso formato ha vendido más de 770 000 ejemplares en todo el mundo un viaje ilustrado a

bichos raros pequeños animales sorprendentes ediandina - Apr 15 2023

web nº de páginas 120 idioma español encuadernación tapa blanda

bichos raros pequeños animales sorprendentes el gran libro - Dec 31 2021

web raros pequeños animales sorprendentes el gran los 10 animales más raros del mundo national geographic bichos raros camaraviajera los 10 animales más extraños del mundo bichos raros pequeños animales sorprendentes pd lexus las 33

mejores imágenes de animales grandes animales

bichos raros pequenos animales sorprendentes el g - Apr 03 2022

web may 20 2023 ambition to download and install the bichos raros pequenos animales sorprendentes el g it is unquestionably easy then since currently we extend the connect to purchase and create bargains to download and install bichos raros pequenos animales sorprendentes el g fittingly simple

bichos raros pequeños animales sorprendentes el gran libro - Mar 14 2023

web raros 122 mejores imágenes de insectos en 2020 insectos bichos raros el pensante los 10 animales más extraños del mundo bichos raros pequeños animales sorprendentes el gran el insecto más largo del mundo es encontrado en china 21 extraños animales que probablemente nunca has visto las 177 mejores imágenes de

bichos raros pequenos animales sorprendentes el g pdf free - Oct 09 2022

web bichos raros pequenos animales sorprendentes el g pdf pages 2 18 bichos raros pequenos animales sorprendentes el g pdf upload jason p boyle 2 18 downloaded from bukuclone ortax org on september 21 2023 by jason p boyle specialization has indeed its physiological counterpart in that sense anatomy physiology and ecology are not

los 10 bichos más raros del reino animal fumigaciones fuminor - Jul 06 2022

web sep 17 2020 aquí recogemos los 10 bichos más raros del reino animal escarabajo tortuga de oro gorgojo jirafa membrácido brasileño y muchos más

bichos raros pequenos animales sorprendentes el g 2023 - Jun 17 2023

web bichos raros pequenos animales sorprendentes el g animales de origami crea figuras sorprendentes feb 25 2022 animales asombrosos may 07 2020 pandas dec 14 2020 animales sorprendentes amazing animals jan 07 2023 just as the title of the reader s theater implies animals are amazing and children in particular find them

bichos raros pequenos animales sorprendentes el g - May 16 2023

web detalles y los hábitos de pequeños animales salvajes tan comunes como sorprendentes a través de un recorrido sencillo que alimenta el interés y la curiosidad de su hijo ese es el objetivo de este libro

bichos raros pequenos animales sorprendentes el g - Mar 02 2022

web bichos raros pequenos animales sorprendentes el g florida state university law review jul 03 2021 college physics aug 04 2021 el libro es una ampliación de una serie de sermones sobre el capítulo 15 de lucas temtica que en medio de una sociedad secularizada puede ayudar a las