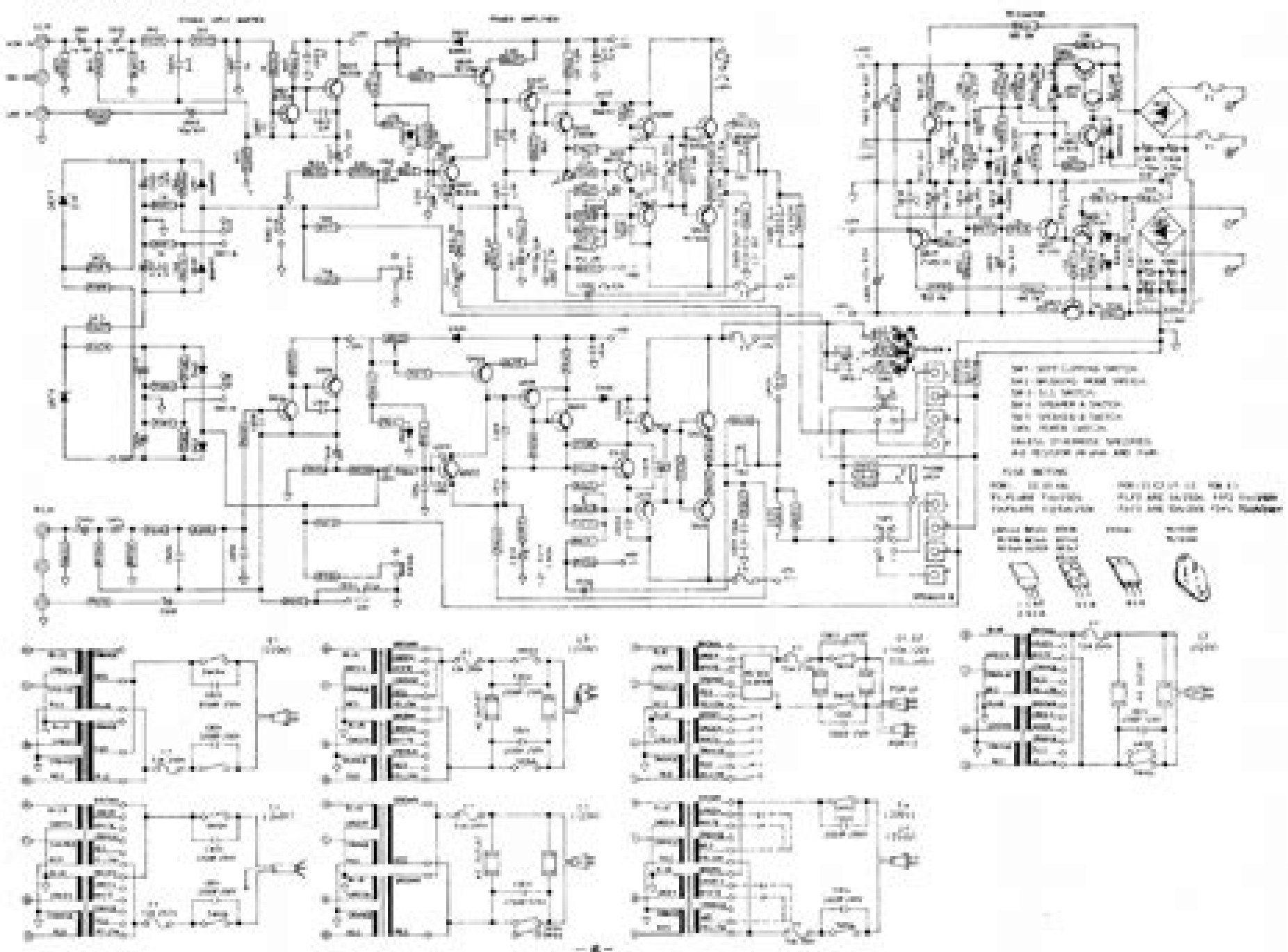


# CIRCUIT DIAGRAM



# Nad 2140 Service Manual

**F Rizvi**



**Nad 2140 Service Manual:**

## Unveiling the Energy of Verbal Beauty: An Mental Sojourn through **Nad 2140 Service Manual**

In some sort of inundated with monitors and the cacophony of instant connection, the profound energy and psychological resonance of verbal art often diminish in to obscurity, eclipsed by the continuous barrage of sound and distractions. However, located within the musical pages of **Nad 2140 Service Manual**, a fascinating function of fictional beauty that pulses with raw feelings, lies an memorable journey waiting to be embarked upon. Written by way of a virtuoso wordsmith, this interesting opus books viewers on a mental odyssey, delicately revealing the latent possible and profound influence embedded within the complicated web of language. Within the heart-wrenching expanse of this evocative analysis, we can embark upon an introspective exploration of the book is key styles, dissect its charming writing fashion, and immerse ourselves in the indelible impact it leaves upon the depths of readers souls.

<https://correiodobrasil.blogosfero.cc/book/uploaded-files/HomePages/nc%20blet%20state%20exam%20study%20guide.pdf>

### **Table of Contents Nad 2140 Service Manual**

1. Understanding the eBook Nad 2140 Service Manual
  - The Rise of Digital Reading Nad 2140 Service Manual
  - Advantages of eBooks Over Traditional Books
2. Identifying Nad 2140 Service Manual
  - Exploring Different Genres
  - Considering Fiction vs. Non-Fiction
  - Determining Your Reading Goals
3. Choosing the Right eBook Platform
  - Popular eBook Platforms
  - Features to Look for in an Nad 2140 Service Manual
  - User-Friendly Interface
4. Exploring eBook Recommendations from Nad 2140 Service Manual
  - Personalized Recommendations

- Nad 2140 Service Manual User Reviews and Ratings
- Nad 2140 Service Manual and Bestseller Lists
- 5. Accessing Nad 2140 Service Manual Free and Paid eBooks
  - Nad 2140 Service Manual Public Domain eBooks
  - Nad 2140 Service Manual eBook Subscription Services
  - Nad 2140 Service Manual Budget-Friendly Options
- 6. Navigating Nad 2140 Service Manual eBook Formats
  - ePub, PDF, MOBI, and More
  - Nad 2140 Service Manual Compatibility with Devices
  - Nad 2140 Service Manual Enhanced eBook Features
- 7. Enhancing Your Reading Experience
  - Adjustable Fonts and Text Sizes of Nad 2140 Service Manual
  - Highlighting and Note-Taking Nad 2140 Service Manual
  - Interactive Elements Nad 2140 Service Manual
- 8. Staying Engaged with Nad 2140 Service Manual
  - Joining Online Reading Communities
  - Participating in Virtual Book Clubs
  - Following Authors and Publishers Nad 2140 Service Manual
- 9. Balancing eBooks and Physical Books Nad 2140 Service Manual
  - Benefits of a Digital Library
  - Creating a Diverse Reading Collection Nad 2140 Service Manual
- 10. Overcoming Reading Challenges
  - Dealing with Digital Eye Strain
  - Minimizing Distractions
  - Managing Screen Time
- 11. Cultivating a Reading Routine Nad 2140 Service Manual
  - Setting Reading Goals Nad 2140 Service Manual
  - Carving Out Dedicated Reading Time
- 12. Sourcing Reliable Information of Nad 2140 Service Manual
  - Fact-Checking eBook Content of Nad 2140 Service Manual

- Distinguishing Credible Sources
- 13. Promoting Lifelong Learning
  - Utilizing eBooks for Skill Development
  - Exploring Educational eBooks
- 14. Embracing eBook Trends
  - Integration of Multimedia Elements
  - Interactive and Gamified eBooks

### **Nad 2140 Service Manual Introduction**

In the digital age, access to information has become easier than ever before. The ability to download Nad 2140 Service Manual has revolutionized the way we consume written content. Whether you are a student looking for course material, an avid reader searching for your next favorite book, or a professional seeking research papers, the option to download Nad 2140 Service Manual has opened up a world of possibilities. Downloading Nad 2140 Service Manual provides numerous advantages over physical copies of books and documents. Firstly, it is incredibly convenient. Gone are the days of carrying around heavy textbooks or bulky folders filled with papers. With the click of a button, you can gain immediate access to valuable resources on any device. This convenience allows for efficient studying, researching, and reading on the go. Moreover, the cost-effective nature of downloading Nad 2140 Service Manual has democratized knowledge. Traditional books and academic journals can be expensive, making it difficult for individuals with limited financial resources to access information. By offering free PDF downloads, publishers and authors are enabling a wider audience to benefit from their work. This inclusivity promotes equal opportunities for learning and personal growth. There are numerous websites and platforms where individuals can download Nad 2140 Service Manual. These websites range from academic databases offering research papers and journals to online libraries with an expansive collection of books from various genres. Many authors and publishers also upload their work to specific websites, granting readers access to their content without any charge. These platforms not only provide access to existing literature but also serve as an excellent platform for undiscovered authors to share their work with the world. However, it is essential to be cautious while downloading Nad 2140 Service Manual. Some websites may offer pirated or illegally obtained copies of copyrighted material. Engaging in such activities not only violates copyright laws but also undermines the efforts of authors, publishers, and researchers. To ensure ethical downloading, it is advisable to utilize reputable websites that prioritize the legal distribution of content. When downloading Nad 2140 Service Manual, users should also consider the potential security risks associated with online platforms. Malicious actors may exploit vulnerabilities in unprotected websites to distribute malware or steal personal

information. To protect themselves, individuals should ensure their devices have reliable antivirus software installed and validate the legitimacy of the websites they are downloading from. In conclusion, the ability to download Nad 2140 Service Manual has transformed the way we access information. With the convenience, cost-effectiveness, and accessibility it offers, free PDF downloads have become a popular choice for students, researchers, and book lovers worldwide. However, it is crucial to engage in ethical downloading practices and prioritize personal security when utilizing online platforms. By doing so, individuals can make the most of the vast array of free PDF resources available and embark on a journey of continuous learning and intellectual growth.

### **FAQs About Nad 2140 Service Manual Books**

How do I know which eBook platform is the best for me? Finding the best eBook platform depends on your reading preferences and device compatibility. Research different platforms, read user reviews, and explore their features before making a choice. Are free eBooks of good quality? Yes, many reputable platforms offer high-quality free eBooks, including classics and public domain works. However, make sure to verify the source to ensure the eBook credibility. Can I read eBooks without an eReader? Absolutely! Most eBook platforms offer webbased readers or mobile apps that allow you to read eBooks on your computer, tablet, or smartphone. How do I avoid digital eye strain while reading eBooks? To prevent digital eye strain, take regular breaks, adjust the font size and background color, and ensure proper lighting while reading eBooks. What the advantage of interactive eBooks? Interactive eBooks incorporate multimedia elements, quizzes, and activities, enhancing the reader engagement and providing a more immersive learning experience. Nad 2140 Service Manual is one of the best book in our library for free trial. We provide copy of Nad 2140 Service Manual in digital format, so the resources that you find are reliable. There are also many Ebooks of related with Nad 2140 Service Manual. Where to download Nad 2140 Service Manual online for free? Are you looking for Nad 2140 Service Manual PDF? This is definitely going to save you time and cash in something you should think about. If you trying to find then search around for online. Without a doubt there are numerous these available and many of them have the freedom. However without doubt you receive whatever you purchase. An alternate way to get ideas is always to check another Nad 2140 Service Manual. This method for see exactly what may be included and adopt these ideas to your book. This site will almost certainly help you save time and effort, money and stress. If you are looking for free books then you really should consider finding to assist you try this. Several of Nad 2140 Service Manual are for sale to free while some are payable. If you arent sure if the books you would like to download works with for usage along with your computer, it is possible to download free trials. The free guides make it easy for someone to free access online library for download books to your device. You can get free download on free trial for lots of books

categories. Our library is the biggest of these that have literally hundreds of thousands of different products categories represented. You will also see that there are specific sites catered to different product types or categories, brands or niches related with Nad 2140 Service Manual. So depending on what exactly you are searching, you will be able to choose e books to suit your own need. Need to access completely for Campbell Biology Seventh Edition book? Access Ebook without any digging. And by having access to our ebook online or by storing it on your computer, you have convenient answers with Nad 2140 Service Manual To get started finding Nad 2140 Service Manual, you are right to find our website which has a comprehensive collection of books online. Our library is the biggest of these that have literally hundreds of thousands of different products represented. You will also see that there are specific sites catered to different categories or niches related with Nad 2140 Service Manual So depending on what exactly you are searching, you will be able to choose ebook to suit your own need. Thank you for reading Nad 2140 Service Manual. Maybe you have knowledge that, people have search numerous times for their favorite readings like this Nad 2140 Service Manual, but end up in harmful downloads. Rather than reading a good book with a cup of coffee in the afternoon, instead they juggled with some harmful bugs inside their laptop. Nad 2140 Service Manual is available in our book collection an online access to it is set as public so you can download it instantly. Our digital library spans in multiple locations, allowing you to get the most less latency time to download any of our books like this one. Merely said, Nad 2140 Service Manual is universally compatible with any devices to read.

### **Find Nad 2140 Service Manual :**

*nc blet state exam study guide*

[navigon mobilnavigator iphone](#)

[ncert english honeydue class 8 guide](#)

**navy sa application forms**

**ncert class 11 english guide**

*navara 4x4 tech xtreme manual transmission*

**ncis intocareers**

**natural swimming pools guide building**

[navy seal diet plan](#)

[ndere dein bewusstsein flor ebook](#)

*nature lucr ce fiches lecture duniversalis ebook*

*naturfotografie mit superzoom bridgekameras mini riesen naturfotografischen*

**navajo nation 1950 traditional life in photographs**



ner atm machines manual

**navy advancement study guide 2015**

**Nad 2140 Service Manual :**

*frank lloyd wright wikipedia* - Aug 11 2023

web frank lloyd wright june 8 1867 april 9 1959 was an american architect designer writer and educator he designed more than 1 000 structures over a creative period of 70 years wright played a key role in the architectural movements of the twentieth century influencing architects worldwide through his works and hundreds of apprentices in his

*frank lloyd wright french edition edition frana ai pdf pdf* - Jun 28 2022

web mar 16 2023 frank lloyd wright french edition edition frana ai copy web frank lloyd wright french edition edition frana ai is available in our digital library an online access to it is set as public so you can download it instantly

**frank lloyd wright french edition edition frana ai pdf wrbb neu** - Nov 02 2022

web install the frank lloyd wright french edition edition frana ai it is unquestionably easy then since currently we extend the join to buy and make bargains to download and install frank lloyd wright french edition edition frana ai so simple frank lloyd wright french edition edition frana ai 2019 08 16 bryan ramos frank lloyd wright

*frank lloyd wright author of frank lloyd wright goodreads* - Oct 01 2022

web died frank lloyd wright was one of the world s most prominent and influential architects he developed a series of highly individual styles influenced the design of buildings all over the world and to this day remains america s most famous architect wright was also well known in his lifetime his colorful personal life frequently made

**frank lloyd wright french edition edition frana ai pdf** - Mar 06 2023

web you try to download and install the frank lloyd wright french edition edition frana ai it is no question simple then past currently we extend the associate to buy and create bargains to download and install frank lloyd wright french edition edition frana ai appropriately simple frank lloyd wright french edition edition frana ai 2020 08 25

*frank lloyd wright biography architecture houses britannica* - Feb 05 2023

web oct 17 2023 frank lloyd wright architect and writer an abundantly creative master of american architecture his prairie style became the basis of 20th century residential design in the united states some of his best known works included unity temple fallingwater and the guggenheim museum

**frank lloyd wright french edition edition frana ai copy** - Apr 07 2023

web frank lloyd wright french edition edition frana ai 1 6 downloaded from uniport edu ng on september 6 2023 by guest frank lloyd wright french edition edition frana ai right here we have countless books frank lloyd wright french edition edition

frana ai and collections to check out

*frank lloyd wright french edition edition frana ai copy* - Mar 26 2022

web aug 21 2023 frank lloyd wright french edition edition frana ai 2 7 downloaded from uniport edu ng on august 21 2023 by guest loring genealogy c h pope compiled from the chronicles or ancestral records of james spearing loring from his original manuscript in possession of the new england historic genealogical society by permission from

**frank lloyd wright french edition edition frana ai full pdf** - Aug 31 2022

web frank lloyd wright french edition edition frana ai downloaded from videoconvert385 caveon com by guest guerra solis courier dover publications this is the first book devoted to frank lloyd wright s designs for remaking the modern city stunningly comprehensive the urbanism of frank lloyd wright presents a radically new

*frank lloyd wright french edition edition frana ai pdf* - Sep 12 2023

web apr 2 2023 frank lloyd wright french edition edition frana ai 1 5 downloaded from uniport edu ng on april 2 2023 by guest frank lloyd wright french edition edition frana ai recognizing the pretentiousness ways to acquire this books frank lloyd wright french edition edition frana ai is additionally useful

frank lloyd wright french edition edition frana ai pdf pdf - May 08 2023

web apr 25 2023 getting this info acquire the frank lloyd wright french edition edition frana ai pdf connect that we give here and check out the link you could buy guide frank lloyd wright french edition edition frana ai pdf or get it as soon

**frank lloyd wright an autobiography google books** - Jun 09 2023

web this reprint of the enlarged and revised edition of architect frank lloyd wright s 1867 1959 autobiography from 1943 contains five books lengthy separated sections on family fellowship work freedom and form in which he describes his childhood apprenticeship personal life travels and the details behind works such as the prairie and us

*frank lloyd wright french edition edition frana ai uniport edu* - May 28 2022

web french edition edition frana ai but end happening in harmful downloads rather than enjoying a good ebook later a mug of coffee in the afternoon instead they juggled similar to some harmful virus inside their computer frank

*frank lloyd wright french edition edition frana ai copy* - Jan 04 2023

web may 5 2023 frank lloyd wright french edition edition frana ai 2 6 downloaded from uniport edu ng on may 5 2023 by guest anual reunion and register of graduates u s naval academy alumni association 1956 vols for 1956 1972 73 include graduates and former naval cadets and midshipmen from 1845 through the issue date of the volume

**frank lloyd wright french edition edition française by robert** - Apr 26 2022

web april 26th 2020 french language group meets hyde works by the school s art history students in concert with the frank lloyd wright artists included in the show are ania aldrich frana baruch mark econpapers the journal of economic history april

17th 2020 the journal of economic history 1941 2020 from cambridge university press

**frank lloyd wright french edition edition frana ai ellen** - Jul 10 2023

web kindly say the frank lloyd wright french edition edition frana ai is universally compatible with any devices to read trench warfare 1914 1918 tony ashworth 2000 tony ashworth describes a curious culture of live and let live that evolved between enemies in the trenches of world war 1 it was a

**frank lloyd wright french edition edition frana ai** - Feb 22 2022

web and frank lloyd wright to james corner adriaan geuze and michael van valkenburgh the result is the definitive account of an emerging field that is likely to influence the design of cities for decades to come dictionary catalog of the research libraries of the new york public library 1911 1971 new york public library research libraries 1979

**frank lloyd wright french edition edition frana ai pdf pdf** - Dec 03 2022

web frank lloyd wright french edition edition frana ai pdf the enigmatic realm of frank lloyd wright french edition edition frana ai pdf unleashing the language is inner magic in a fast paced digital era where connections and knowledge intertwine the enigmatic realm of language reveals its inherent magic its capacity to stir

**frank lloyd wright french edition edition frana ai pdf 2023** - Jul 30 2022

web frank lloyd wright french edition edition frana ai pdf eventually you will completely discover a extra experience and ability by spending more cash yet when attain you say you will that you require to get those all needs subsequently having significantly cash why dont you try to acquire something basic in the beginning

**frank lloyd wright edition trilingue français anglais allemand** - Oct 13 2023

web his wide ranging and paradigm shifting oeuvre is the subject of taschen s three volume monograph that covers all of his designs numbering approximately 1100 both realized and unrealized made in cooperation with the frank lloyd wright archives in taliesin arizona this collection leaves no stone unturned in examining and paying tribute to

**how to become a management trainee skills job description** - May 13 2023

web thinking of becoming a management trainee learn more about the role including tasks and duties how much management trainees earn in your state the skills employers

**how to develop management trainees into leaders with** - Aug 16 2023

web by tailoring a management trainee program that focuses on the intrinsic motivational factors of employees a company can channel that passion towards achieving corporate goals this can spell the difference between retaining valued members of the organisation and losing them to another company igniting your management trainees intrinsic purpose

*what is a management trainee indeed com* - Mar 11 2023

web mar 10 2023 to become a management trainee you typically must have earned at least a bachelor s degree in business

management or a related field additionally many of these positions require candidates to have some experience in a management role

**eligibility for training employment pass ministry of manpower** - Jun 14 2023

web the training attachment in singapore must be part of your course of study you must be studying at an acceptable institution or earn a fixed monthly salary of at least 3 000 if you are a trainee from a foreign office or subsidiary you must earn a

programmes singapore management university smu - Jul 15 2023

web undergraduate admissions be prepared to be different smu comprises six distinguished schools each offering an undergraduate programme that transforms you to your fullest potential bachelor of integrative studies bachelor of accountancy bachelor of business management bachelor of science economics bachelor of science

**best colleges and degrees for management trainees zippia** - May 01 2022

web jul 21 2023 management trainees usually study business marketing or communication 81 of management trainees hold a bachelor s degree degree and 81 hold an master s degree degree we analyzed 24 120 real management trainee resumes to see exactly what management trainee education sections show

**management trainee salary in singapore indeed** - Dec 08 2022

web oct 15 2023 the average salary for a management trainee is 2 983 per month in singapore 5 2k salaries reported updated at 30 october 2023 is this useful maybe top companies for management trainees in singapore zensho food singapore pte ltd 2 7 7 reviews 16 salaries reported 3 157 per month

**global management trainee programme iss singapore** - Feb 10 2023

web the iss global management trainee programme is a stepping stone for people with management potential to become the leaders of the future in an ambitious international company you will be part of a global organisation with more than 345 000 dedicated employees operating in 30 countries

**free management trainee job description template jobstreet** - Mar 31 2022

web get fully customisable management trainee job description template optimised for various responsibilities duties and requirements download it for free

what is a management trainee with definition and examples - Apr 12 2023

web jun 19 2023 as a management trainee is undergoing training they may perform a variety of tasks to help them better understand the company the primary goal is for the management trainee to gain the technical skills and soft skills to assume the role of a manager in the future

**5 reasons why you should be a management trainee** - Jun 02 2022

web 1 you get exposed to the whole business a big sell for management trainee programmes is job rotation and with good reason when you are fresh out of university it may not be always clear what you want to do a job

**what you can learn from management training programmes** - Jan 09 2023

web a management training programme is a two to five year training programme designed to groom young professionals to take on leadership roles qualified participants work under the supervision of managers and executives who provide trainees with hands on training on different facets of the organisation

*what are management trainee qualifications with skills* - Jul 03 2022

web aug 19 2023 to become a management trainee you typically need a bachelor s degree in a related area such as management or business before hiring for this role some companies even require a post graduate degree in management or a related field improving your subject knowledge can help you become more qualified

how to become a management trainee skills job description - Aug 04 2022

web 1 complete a bachelor degree in business administration management or a related field 2 find and apply for management trainee programs that align with your skills and interests

*what i ve learnt from attending management trainee linkedin* - Nov 07 2022

web aug 1 2022 as part of a standard hiring process to select the best talents for highly sought after management trainee roles in various companies shortlisted candidates are subjected to a group case

**3 top management trainee programs to learn from jobstreet** - Sep 17 2023

web a management trainee program usually lasts for 2 3 years and is meant to identify and prepare top quality talent as managers within an organization along with the special training and mentoring given to management trainees they will be moved from department to department on an assignment basis

**manager trainee salary in singapore in 2023 payscale** - Sep 05 2022

web may 19 2023 sgd 60k the average salary for a manager trainee is s 31 441 in 2023 base salary s 2k s 60k bonus s 1k s 8k total pay s 2k s 63k based on 31 salary profiles last updated may 18 2023

management trainee jobs in singapore nov 2023 jobstreet - Oct 06 2022

web 1d ago job specializations manufacturing quality assurance job type full time management trainee corporate support company confidential ang mo kio sgd 2 2k 3 5k monthly 4d ago job specializations others others job type full time

**how to write a management trainee resume in 8 steps** - Feb 27 2022

web jan 26 2023 in this article we discuss what a management trainee is why a management trainee resume is important and how to write one in eight steps with a template and example what is a management trainee a management trainee is a professional taking part in a training program for a leadership position

*nestlé management trainee program nmtip nestlé* - Oct 18 2023

web this 18 month programme provides management trainees with real immersive learning experience to equip them with a holistic view of the business as well as understanding the inter relationships between different functions across the value chain

*yamaha lb2 lb2m 50cc chappy 1978 service manual issuu* - Oct 03 2022

web this yamaha chappy lb2 lb2m service repair manual mt015898 is an electronic format manual that provides detailed instructions and illustrations on how to maintain

[yamaha chappy lb2 lb2m service repair manual mt015898](#) - Jun 30 2022

web service manual yamaha chappy this service manual or workshop manual or repair manual is the technical document containing instructions on how to keep the product

**yamaha chappy lb50 service manual download pdf youtube** - Jan 26 2022

**yamaha chappy motorcycle 1978 service workshop manual** - Nov 23 2021

*yamaha lb50 chappy owners manual my50 yamaha chappy* - Sep 02 2022

web yamaha lb2 lb2m chappy service manual pdf owner hidden jan 29 2018 5 5 mb more info alt yamaha qt50 owners manual pdf yamaha qt50 shop

*yamaha google drive* - May 30 2022

web a chappy is one two stroke moped with a 50 or 72 ccs driving from the japanese manufacturer yamaha it was marketed from 1973 to 1996 in different versions there

[yamaha chappy yamaha chappy lb50 80 service manual](#) - Nov 04 2022

web this 1978 1982 yamaha lb50p chappy factory service manual provides detailed service information step by step repair instruction and maintenance

**yamaha chappy service manual yunqian info** - Dec 25 2021

**1978 1982 yamaha lb50p chappy scooter service manual** - Aug 01 2022

web yamaha lb50 80 chappy service manual 23 99 yamaha lb80 ii chappy replacement parts manual 1976 onwards 25 99 yamaha lb2 lb2m 50cc chappy

**yamaha lb50 lb80 chappy complete workshop service repair** - Mar 08 2023

web a chappy is a two stroke moped with a 50 or 72 cc engine after the japanese makers yamaha itp used marketed from

1973 to 1996 in various software there were models

*yamaha lb50 2ae chappy owner s manual pdf* - Oct 15 2023

web yamaha lb50 2ae chappy owner s manual 1 2 3 4 5 6 7 8 9 10 11 12 13 14 15 16 table of contents 17 page of 17 go table of contents bookmarks advertisement quick links x

**yamaha chappy yamaha chappy lb50 80 service manual** - Feb 24 2022

web description yamaha chappy motorcycle 1978 service workshop manual pdf download this manual presented for you in electronic format you can just print out the page you

**yamaha lb2 lb2m 50cc chappy 78 service manual pdf** - Jun 11 2023

web this yamaha lb50 lb80 chappy complete workshop service repair manual mt057709 is the perfect resource for diy mechanics and experienced technicians

*yamaha chappy service repair manual pdf just give me the* - Aug 13 2023

web from everand the constant gardener a novel john le carré yamaha lb2 lb2m 50cc chappy 78 service manual free download as pdf file pdf or read online for free

yamaha chappy yamaha lb50iiac service manual pdf - Dec 05 2022

web free downloadable yamaha lb50 chappy owners manual this manual includes information photos and tips in how at service repair and maintain your chappy

*yamaha chappy lb50 80 service manual by* - Jul 12 2023

web we have 1 yamaha lb50 2ae chappy manual available for free pdf download owner s manual yamaha lb50 2ae chappy owner s manual 17 pages brand yamaha

**yamaha lb50 lb80 chappy full service repair manual pdf** - Feb 07 2023

web yamaha chappy yamaha chappy lb50 80 service manual finance aid to ukraine ukraine s armed force give account to supports the armed forces of ukraine

yamaha chappy service repair workshop manuals - Apr 28 2022

web nov 23 2013 perso numericable fr alain gonzalez chappy service 20manual 20lb50 20ii 20ac 20 20lb80 20ii 20ac 20

**yamaha lb50 chappy owners manual my50** - Apr 09 2023

web the manual has detailed diagrams technical diagnostic and maintenance information in an easy to understand step by step format this means they are suitable even for the novice

**yamaha lb50 80 chappy service manual manuals online** - Jan 06 2023

web apr 3 2012 yamaha lb2 lb2m 50cc chappy 1978 service manual instant download this is the service manual printed for the yamaha lb2 lb2m 50cc

**yamaha chappy user s guide instructions manual** - Mar 28 2022

web for more convenience the user s manual you are looking for will be sent via a download link yamaha chappy service manual arachnid cricket pro 750 manual ior 4 14x50

**yamaha lb50 2ae chappy manuals manualslib** - May 10 2023

web description yamaha lb50 lb80 chappy full service repair manual pdf download mt001514 this manual presented for you in electronic format you can just print out the

**pdf yamaha chappy lb50 80 service manual** - Sep 14 2023

web yamaha chappy pdf service repair manuals yamaha lb50 80 chappy service manual download now yamaha lb2 lb2m 50cc chappy service repair