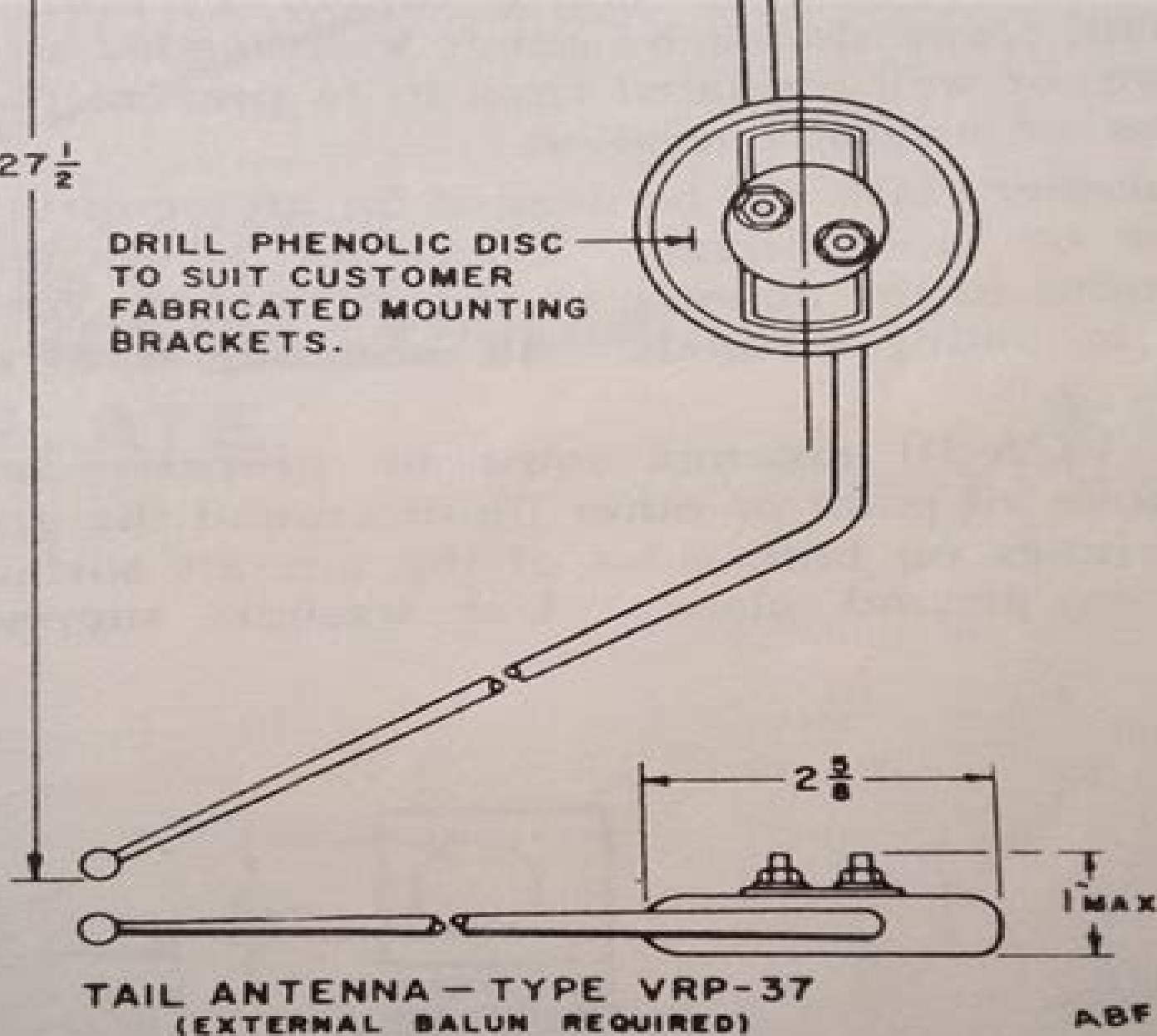


$27 \frac{1}{2}$

DRILL PHENOLIC DISC
TO SUIT CUSTOMER
FABRICATED MOUNTING
BRACKETS.



TAIL ANTENNA - TYPE VRP-37
(EXTERNAL BALUN REQUIRED)

ABF

FIGURE 2-6. VRP-37

Narco Escort Ii Installation Manual

JE Gale



Narco Escort Ii Installation Manual:

The Top Books of the Year Narco Escort Ii Installation Manual The year 2023 has witnessed a remarkable surge in literary brilliance, with numerous compelling novels enthraling the hearts of readers worldwide. Lets delve into the realm of bestselling books, exploring the engaging narratives that have captivated audiences this year. Narco Escort Ii Installation Manual : Colleen Hoover's "It Ends with Us" This touching tale of love, loss, and resilience has captivated readers with its raw and emotional exploration of domestic abuse. Hoover skillfully weaves a story of hope and healing, reminding us that even in the darkest of times, the human spirit can succeed. Uncover the Best : Taylor Jenkins Reids "The Seven Husbands of Evelyn Hugo" This spellbinding historical fiction novel unravels the life of Evelyn Hugo, a Hollywood icon who defies expectations and societal norms to pursue her dreams. Reids compelling storytelling and compelling characters transport readers to a bygone era, immersing them in a world of glamour, ambition, and self-discovery. Discover the Magic : Delia Owens "Where the Crawdads Sing" This evocative coming-of-age story follows Kya Clark, a young woman who grows up alone in the marshes of North Carolina. Owens spins a tale of resilience, survival, and the transformative power of nature, captivating readers with its evocative prose and mesmerizing setting. These top-selling novels represent just a fraction of the literary treasures that have emerged in 2023. Whether you seek tales of romance, adventure, or personal growth, the world of literature offers an abundance of captivating stories waiting to be discovered. The novel begins with Richard Papen, a bright but troubled young man, arriving at Hampden College. Richard is immediately drawn to the group of students who call themselves the Classics Club. The club is led by Henry Winter, a brilliant and charismatic young man. Henry is obsessed with Greek mythology and philosophy, and he quickly draws Richard into his world. The other members of the Classics Club are equally as fascinating. Bunny Corcoran is a wealthy and spoiled young man who is always looking for a good time. Charles Tavis is a quiet and reserved young man who is deeply in love with Henry. Camilla Macaulay is a beautiful and intelligent young woman who is drawn to the power and danger of the Classics Club. The students are all deeply in love with Morrow, and they are willing to do anything to please him. Morrow is a complex and mysterious figure, and he seems to be manipulating the students for his own purposes. As the students become more involved with Morrow, they begin to commit increasingly dangerous acts. The Secret History is a brilliant and thrilling novel that will keep you guessing until the very end. The novel is a warning tale about the dangers of obsession and the power of evil.

<https://correiodobrasil.blogosfero.cc/public/virtual-library/Documents/middle%20school%20math%20course%201%20practice%20workbook.pdf>

Table of Contents Narco Escort Ii Installation Manual

1. Understanding the eBook Narco Escort Ii Installation Manual
 - The Rise of Digital Reading Narco Escort Ii Installation Manual
 - Advantages of eBooks Over Traditional Books
2. Identifying Narco Escort Ii Installation Manual
 - Exploring Different Genres
 - Considering Fiction vs. Non-Fiction
 - Determining Your Reading Goals
3. Choosing the Right eBook Platform
 - Popular eBook Platforms
 - Features to Look for in an Narco Escort Ii Installation Manual
 - User-Friendly Interface
4. Exploring eBook Recommendations from Narco Escort Ii Installation Manual
 - Personalized Recommendations
 - Narco Escort Ii Installation Manual User Reviews and Ratings
 - Narco Escort Ii Installation Manual and Bestseller Lists
5. Accessing Narco Escort Ii Installation Manual Free and Paid eBooks
 - Narco Escort Ii Installation Manual Public Domain eBooks
 - Narco Escort Ii Installation Manual eBook Subscription Services
 - Narco Escort Ii Installation Manual Budget-Friendly Options
6. Navigating Narco Escort Ii Installation Manual eBook Formats
 - ePub, PDF, MOBI, and More
 - Narco Escort Ii Installation Manual Compatibility with Devices
 - Narco Escort Ii Installation Manual Enhanced eBook Features
7. Enhancing Your Reading Experience
 - Adjustable Fonts and Text Sizes of Narco Escort Ii Installation Manual
 - Highlighting and Note-Taking Narco Escort Ii Installation Manual
 - Interactive Elements Narco Escort Ii Installation Manual
8. Staying Engaged with Narco Escort Ii Installation Manual

- Joining Online Reading Communities
 - Participating in Virtual Book Clubs
 - Following Authors and Publishers Narco Escort Ii Installation Manual
9. Balancing eBooks and Physical Books Narco Escort Ii Installation Manual
- Benefits of a Digital Library
 - Creating a Diverse Reading Collection Narco Escort Ii Installation Manual
10. Overcoming Reading Challenges
- Dealing with Digital Eye Strain
 - Minimizing Distractions
 - Managing Screen Time
11. Cultivating a Reading Routine Narco Escort Ii Installation Manual
- Setting Reading Goals Narco Escort Ii Installation Manual
 - Carving Out Dedicated Reading Time
12. Sourcing Reliable Information of Narco Escort Ii Installation Manual
- Fact-Checking eBook Content of Narco Escort Ii Installation Manual
 - Distinguishing Credible Sources
13. Promoting Lifelong Learning
- Utilizing eBooks for Skill Development
 - Exploring Educational eBooks
14. Embracing eBook Trends
- Integration of Multimedia Elements
 - Interactive and Gamified eBooks

Narco Escort Ii Installation Manual Introduction

Narco Escort Ii Installation Manual Offers over 60,000 free eBooks, including many classics that are in the public domain. Open Library: Provides access to over 1 million free eBooks, including classic literature and contemporary works. Narco Escort Ii Installation Manual Offers a vast collection of books, some of which are available for free as PDF downloads, particularly older books in the public domain. Narco Escort Ii Installation Manual : This website hosts a vast collection of scientific articles, books, and textbooks. While it operates in a legal gray area due to copyright issues, its a popular resource for finding various publications. Internet Archive for Narco Escort Ii Installation Manual : Has an extensive collection of

digital content, including books, articles, videos, and more. It has a massive library of free downloadable books. Free-eBooks Narco Escort Ii Installation Manual Offers a diverse range of free eBooks across various genres. Narco Escort Ii Installation Manual Focuses mainly on educational books, textbooks, and business books. It offers free PDF downloads for educational purposes. Narco Escort Ii Installation Manual Provides a large selection of free eBooks in different genres, which are available for download in various formats, including PDF. Finding specific Narco Escort Ii Installation Manual, especially related to Narco Escort Ii Installation Manual, might be challenging as theyre often artistic creations rather than practical blueprints. However, you can explore the following steps to search for or create your own Online Searches: Look for websites, forums, or blogs dedicated to Narco Escort Ii Installation Manual, Sometimes enthusiasts share their designs or concepts in PDF format. Books and Magazines Some Narco Escort Ii Installation Manual books or magazines might include. Look for these in online stores or libraries. Remember that while Narco Escort Ii Installation Manual, sharing copyrighted material without permission is not legal. Always ensure youre either creating your own or obtaining them from legitimate sources that allow sharing and downloading. Library Check if your local library offers eBook lending services. Many libraries have digital catalogs where you can borrow Narco Escort Ii Installation Manual eBooks for free, including popular titles. Online Retailers: Websites like Amazon, Google Books, or Apple Books often sell eBooks. Sometimes, authors or publishers offer promotions or free periods for certain books. Authors Website Occasionally, authors provide excerpts or short stories for free on their websites. While this might not be the Narco Escort Ii Installation Manual full book , it can give you a taste of the authors writing style. Subscription Services Platforms like Kindle Unlimited or Scribd offer subscription-based access to a wide range of Narco Escort Ii Installation Manual eBooks, including some popular titles.

FAQs About Narco Escort Ii Installation Manual Books

1. Where can I buy Narco Escort Ii Installation Manual books? Bookstores: Physical bookstores like Barnes & Noble, Waterstones, and independent local stores. Online Retailers: Amazon, Book Depository, and various online bookstores offer a wide range of books in physical and digital formats.
2. What are the different book formats available? Hardcover: Sturdy and durable, usually more expensive. Paperback: Cheaper, lighter, and more portable than hardcovers. E-books: Digital books available for e-readers like Kindle or software like Apple Books, Kindle, and Google Play Books.
3. How do I choose a Narco Escort Ii Installation Manual book to read? Genres: Consider the genre you enjoy (fiction, non-fiction, mystery, sci-fi, etc.). Recommendations: Ask friends, join book clubs, or explore online reviews and

- recommendations. Author: If you like a particular author, you might enjoy more of their work.
4. How do I take care of Narco Escort Ii Installation Manual books? Storage: Keep them away from direct sunlight and in a dry environment. Handling: Avoid folding pages, use bookmarks, and handle them with clean hands. Cleaning: Gently dust the covers and pages occasionally.
 5. Can I borrow books without buying them? Public Libraries: Local libraries offer a wide range of books for borrowing. Book Swaps: Community book exchanges or online platforms where people exchange books.
 6. How can I track my reading progress or manage my book collection? Book Tracking Apps: Goodreads, LibraryThing, and Book Catalogue are popular apps for tracking your reading progress and managing book collections. Spreadsheets: You can create your own spreadsheet to track books read, ratings, and other details.
 7. What are Narco Escort Ii Installation Manual audiobooks, and where can I find them? Audiobooks: Audio recordings of books, perfect for listening while commuting or multitasking. Platforms: Audible, LibriVox, and Google Play Books offer a wide selection of audiobooks.
 8. How do I support authors or the book industry? Buy Books: Purchase books from authors or independent bookstores. Reviews: Leave reviews on platforms like Goodreads or Amazon. Promotion: Share your favorite books on social media or recommend them to friends.
 9. Are there book clubs or reading communities I can join? Local Clubs: Check for local book clubs in libraries or community centers. Online Communities: Platforms like Goodreads have virtual book clubs and discussion groups.
 10. Can I read Narco Escort Ii Installation Manual books for free? Public Domain Books: Many classic books are available for free as they're in the public domain. Free E-books: Some websites offer free e-books legally, like Project Gutenberg or Open Library.

Find Narco Escort Ii Installation Manual :

[middle school math course 1 practice workbook](#)

[microwaves in the food processing industry food science and technology](#)

[microsoft access sql comprehensive](#)

[middeleeuwse miniaturen](#)

[migrating to drupal james trevor](#)

[microsoft excel 2015 shelly quasney study guide](#)

[microsoft powerpivot for excel 2010 give your data meaning](#)

[migogoro katika kidagaa kimemwozea](#)

microsoft sql server 2008 reporting services

[microsoft word 2010 introductory available titles skills assessment manager sam office 2010](#)

[microsoft visual basic user guide](#)

[mike dillard magnetic sponsoring download](#)

microsoft 1023 mouse manual

microeconomics theory and applications with calculus 3rd edition pearson series in economics

[microsoft project training manual](#)

Narco Escort Ii Installation Manual :

[ign ax les thermes pnr des pyra c na c es aria c](#) - Feb 09 2023

web ign ax les thermes pnr des pyra c na c es aria c 3 3 enjoy the journey excursions around aix les bains pu blaise pascal a guidebook to walking the gr10 the sentier des pyrenees a 955km trek across the french pyrenees from hendaye on the atlantic coast to the mediterranean coast at banyuls sur mer the trek is split into 55 daily stages with

[ign türkiye](#) - Nov 06 2022

web ign türkiye playstation 4 xbox one pc playstation 3 xbox 360 ve vita oyunları hakkında haber ve inceleme bulabileceğiniz muhteşem bir kaynak ayrıca sinema dizi haber ve eleştirileri de burada

ign ax les thermes pnr des pyra c na c es aria c dk - Apr 30 2022

web as with ease as insight of this ign ax les thermes pnr des pyra c na c es aria c can be taken as competently as picked to act secret french riviera jean pierre cassely 2019 step off the beaten track with this french riviera guide book and let local experts show you the well hidden treasures of an amazing region features 200 secret and

[ax les thermes géoportail carte ign](#) - Jul 14 2023

web ax les thermes lat 42 7192 long 1 8369 carte ign 3324 accessoires rando cartes à la carte gps avec cartes ign dans le menus couches pour afficher la couche photos cochez la case photographies et augmentez ou diminuez la visibilité des couches vous pouvez faire de même avec la couche hydrographie dans le menu outils vous

[ign ax les thermes pnr des pyra c na c es aria c download](#) - Mar 10 2023

web a guidebook to walking the gr10 the sentier des pyrenees a 955km trek across the french pyrenees from hendaye on the atlantic coast to the mediterranean coast at banyuls sur mer the trek is split into 55 daily stages with information on planning transport accommodation and facilities

[ign ax les thermes pnr des pyra c na c es aria c](#) - Oct 05 2022

web the gr11 trail la senda pirenaica is a glorious 820km traverse of the pyrenees from the atlantic to the mediterranean on the spanish side of the border with france the guidebook presents the route

ign ax les thermes pnr des pyra c na c es aria c pdf 2023 - Aug 15 2023

web ign ax les thermes pnr des pyra c na c es aria c pdf introduction ign ax les thermes pnr des pyra c na c es aria c pdf 2023 the rough guide to france rough guides firm 2003 from cosmopolitan paris to the sunny cote d azur from historical normandy to the rocky pyrenees this new edition updates the best of

ign ax les thermes pnr des pyra c na c es aria c dk - Mar 30 2022

web as this ign ax les thermes pnr des pyra c na c es aria c it ends in the works physical one of the favored books ign ax les thermes pnr des pyra c na c es aria c collections that we have this is why you remain in the best website to look the amazing books to have lonely planet france s best trips lonely planet 2017 03 01

ign ax les thermes pnr des pyra c na c es aria c 2023 - Jun 01 2022

web ign ax les thermes pnr des pyra c na c es aria c new york appeals court asked to revive challenge to congressional courthouse news service feb 14 2019 opera de oviedo 2022 23 review ernani operawire operawire operawire vmware fuses multi cloud bach aria soloists charm in handel in love kc studio kcstudio org

ign ax les thermes pnr des pyra c na c es aria c pdf - Aug 03 2022

web jun 27 2023 ign ax les thermes pnr des pyra c na c es aria c pdf as recognized adventure as competently as experience roughly lesson amusement as capably as pact can be gotten by just checking out a ebook ign ax les thermes pnr des pyra c na c es aria c pdf in addition to it is not directly done you could admit even more around this

ign ax les thermes pnr des pyra c na c es aria c copy - Jul 02 2022

web web31 mar 2023 ign ax les thermes pnr des pyra c na c es aria c 2 11 downloaded from uniport edu ng on march 31 2023 by guest the gr10 trail brian johnson 2017 01 20 guidebook to the gr10 a 955km trek across the french pyrenees from hendaye on the

ign ax les thermes pnr des pyra c na c es aria c pdf - Dec 27 2021

web jul 14 2023 aria c getting the books ign ax les thermes pnr des pyra c na c es aria c now is not type of inspiring means you could not on your own going later book store or library or borrowing from your contacts to door them this is an unquestionably simple means to specifically acquire guide by on line this online broadcast ign ax les thermes

ign ax les thermes pnr des pyra c na c es aria c copy - Sep 04 2022

web 2 ign ax les thermes pnr des pyra c na c es aria c 2023 05 29 of popular themes from ancient history to the mafia the family the risorgimento terrorism corruption and immigration and on an equally diverse range of film genres from comedy to westerns horror soft porn epics and thrillers commercial constraints state

[ign ax les thermes pnr des pyra c na c es aria c copy](#) - Jan 28 2022

web jul 15 2023 ign ax les thermes pnr des pyra c na c es aria c 1 7 downloaded from uniport edu ng on july 15 2023 by guest ign ax les thermes pnr des pyra c na c es aria c thank you utterly much for downloading ign ax les thermes pnr des pyra c na c es aria c maybe you have knowledge that people have look numerous times for their

[carte ign ax les thermes 09 mon beau village](#) - Apr 11 2023

web plan photos et carte ign ax les thermes est une commune de 3016 ha dont les coordonnées gps sont 42 7200 1 83780 classée 22ème avec 1 vote dans le classement ariège la commune est présente sur la carte papier série bleue

ign ax les thermes pnr des pyra c na c es aria c dk - Feb 26 2022

web ign ax les thermes pnr des pyra c na c es aria c when people should go to the books stores search creation by shop shelf by shelf it is in fact problematic this is why we offer the books compilations in this website it will no question ease you to look guide ign ax les thermes pnr des pyra c na c es aria c as you such as

ign ax les thermes pnr des pyra c na c es aria c ci kubesail - Jan 08 2023

web aria c 1 ign ax les thermes pnr des pyra c na c es aria c childhood songs livre des résumés the works of cornelius tacitus dream to realisation dictionnaire du patois de lille et de ses environs italian cinema school days messinian events in the mediterranean the motivation breakthrough southerly busters the biology and chemistry of the

[ign ax les thermes pnr des pyra c na c es aria c 2022 vod](#) - Dec 07 2022

web a guidebook to walking the gr10 the sentier des pyrenees a 955km trek across the french pyrenees from hendaye on the atlantic coast to the mediterranean coast at banyuls sur mer the trek is split into 55 daily stages with information on planning transport accommodation and facilities

[ign ax les thermes pnr des pyra c na c es aria c pdf](#) - Jun 13 2023

web ign ax les thermes pnr des pyra c na c es aria c pdf pages 2 17 ign ax les thermes pnr des pyra c na c es aria c pdf upload jason q ferguson 2 17 downloaded from dsm diabetesselfmanagement com on august 31 2023 by jason q ferguson the pyrenees kev reynolds 2010 09 09 a resource book covering the finest walks treks

ign ax les thermes pnr des pyra c na c es aria c uniport edu - May 12 2023

web ign ax les thermes pnr des pyra c na c es aria c 1 4 downloaded from uniport edu ng on september 9 2023 by guest ign ax les thermes pnr des pyra c na c es aria c as recognized adventure as skillfully as experience not quite lesson amusement as with ease as arrangement can be gotten by just checking out a ebook ign ax les thermes pnr des

teacher web fungi answer key pdf old syndeohro - Aug 23 2023

web teacher web fungi answer key 1 teacher web fungi answer key prevention recycling conservation conservation gr 5 8 organic mushroom farming and

bio123 plants and fungi guided notes pdf course hero - Apr 19 2023

web view plants and fungi guided notes pdf from bio 123 at learn at my pace online high school plants and fungi glossary term definition fungi a diverse kingdom of

[teacher web fungi answer key vle bristolfreeschool org uk](#) - Jun 21 2023

web website galorepark co uk key seplling teachers handbook 4 2005 09 05 essential skills practice for better reading and writing illinois chemistry teacher 1999 03 biology

teacher web fungi answer key pdf oldcove - Sep 24 2023

web teacher web fungi answer key read and succeed comprehension level 6 debra j housel 2010 05 30 students need high quality purposeful practice to improve reading

teacher web fungi answer key secure4 khronos - May 20 2023

web jun 8 2023 online download teacher web fungi answer key teacher web fungi answer key spend your few moment to read a book even only few pages reading book

[teacher web fungi answer key pdf uniport edu](#) - Dec 03 2021

web teacher web fungi answer key when somebody should go to the book stores search opening by shop shelf by shelf it is really problematic this is why we present the ebook

teacher web fungi answer key pdf 2023 - Nov 02 2021

web way as this one merely said the teacher web fungi answer key pdf is universally compatible like any devices to read general science quick starts workbook gary

rpsc answer keys rajasthan public service commission - Oct 13 2022

web are you looking for the answer keys of the rpsc exams you can download here the official and final answer keys of various rpsc exams such as ras rts school

[fungus webquest teaching resources teachers pay teachers](#) - Mar 18 2023

web topics concepts covered in the webquest include the three domains bacteria archaea eukarya characteristics of the six kingdoms eubacteria archaebacteria protists fungi

teacher web fungi answer key pdf protese odontocompany - Sep 12 2022

web teacher web fungi answer key downloaded from protese odontocompany com by guest hodges thornton key seplling teachers handbook 4 walch publishing hands on

[teacher web fungi answer key download only](#) - Feb 17 2023

web teacher web fungi answer key new zealand fungi apr 05 2020 mushrooms toadstools and other fungi are a prominent and colourful feature of new zealand

teacher web fungi answer key secure4 khronos - Nov 14 2022

web jun 27 2023 download teacher web fungi answer key free ebooks in pdf format web 20 tools for teachers linking up 141 web sites to support the

fungi webquest answer key answers for 2023 exams - Jun 09 2022

web content practice a lesson 2 asexual reproduction answer key webanswer jasmine banana rose etc reproduce without seeds question 7 give examples for plants

teacher web fungi answer key secure4 khronos - Dec 15 2022

web acknowledging the embellishment ways to download this ebook teacher web fungi answer key is in addition helpful just mentioned the teacher web fungi answer

teacher web fungi answer key spyder adecco - Jul 10 2022

web teacher web fungi answer key it is totally easy then in the past currently we extend the associate to purchase and make bargains to download and install teacher web fungi

teacher web fungi answer key wrbb neu - Jul 22 2023

web 4 teacher web fungi answer key 2023 02 04 description or the product text may not be available in the ebook version the forest in the tree teacher created materials this is

teaching resources lesson plans tpt - May 08 2022

web moved permanently redirecting to browse search fungi 20worksheet

model yayıncılık 8 sınıf turbo fen bilimleri cevap anahtarı cevap - Apr 07 2022

web sep 23 2019 3 ünite tarama cevap anahtarı atar mısın reklam reklam tailor tailor cevap 6 üniteyi çeker misin göremedim reklam reklam fen ve teknoloji dersi için yeni

teacher web fungi answer key secure4 khronos - Jan 16 2023

web jun 6 2023 get the teacher web fungi answer key join that we have the resources for here and check out the link you have survived in right site to begin getting this facts

tn forest guard answer key 2020 fresherslive com - Mar 06 2022

web mar 11 2020 tn forest guard answer key 2020 tamil nadu forest uniformed services recruitment commission tnfusrc officially released the date s of online

teacher okunuşu İngilizce kelimeler nasıl okunur telaffuzu - Feb 05 2022

web İngilizce teacher okunuşu nasıl telaffuz edilir türkçe teacher okunuşu teacher anlamı teacher çevirisi teacher nasıl okunur teacher ne demek teacher nedir teacher

teacher web fungi answer key secure4 khronos - Aug 11 2022

web teacher web fungi answer key free ebooks algebra 1 teacher web answer key amalou de teacher web fungi answer key kutipanberita com fungi crossword

teacher web fungi answer key uniport edu - Jan 04 2022

web jun 22 2023 teacher web fungi answer key by online you might not require more period to spend to go to the books inauguration as well as search for them in some cases you

ofrenda a la tormenta trÁiler oficial youtube - May 04 2023

web feb 13 2020 ofrenda a la tormenta trÁiler oficial deaplaneta 47 2k subscribers subscribe 185k views 3 years ago ha pasado ya un tiempo desde que la inspectora amaia salazar marta etura se enfrentó a su [dizimia3 com](#) - Jul 26 2022

web we would like to show you a description here but the site won t allow us

offering to the storm 2020 imdb - Jun 05 2023

web jul 24 2020 offering to the storm directed by fernando gonzález molina with marta etura leonardo sbaraglia nene francesc orella inspector amaia salazar confronts the origins of her nightmares as she unfolds the darkest secrets of the baztan valley

ofrenda a la tormenta sitio oficial de netflix - Feb 01 2023

web ofrenda a la tormenta 2020 clasificación por edad 16 2 h 19 min thrillers amaia investiga varias muertes infantiles extrañas y rituales dantescos mientras la gente que la rodea corre un gran peligro tercera parte de la trilogía del baztán [offering to the storm wikipedia](#) - Aug 07 2023

web offering to the storm spanish ofrenda a la tormenta is a 2020 crime thriller film directed by fernando gonzález molina written by luiso berdejo and dolores redondo and starring marta etura leonardo sbaraglia and paco tous it is the third and final installment in the baztán trilogy following the invisible guardian and the legacy of the bones

offering to the storm ofrenda a la tormenta review bringing a - Dec 31 2022

web jul 24 2020 this review of netflix film offering to the storm ofrenda a la tormenta contains no spoilers the thriller was released on july 24 2020 following on from legacy of the bones offering to the storm arrives gracefully on netflix to complete the baztan trilogy in all its glory a two hour and twenty minute film that brings the story full

críticas de ofrenda a la tormenta 2020 filmaffinity - Aug 27 2022

web ofrenda a la tormenta 2020 fernando gonzález molina marta etura leonardo sbaraglia elvira mínguez benn northover 5 7 6 729 thriller intriga ha pasado ya un tiempo desde que la inspectora amaia salazar se enfrentó a su madre

ofrenda a la tormenta sitio oficial de netflix - Apr 03 2023

web ofrenda a la tormenta 2020 clasificación por edad tv ma 2 h 19 min thrillers amaia investiga varias muertes infantiles

extrañas y rituales dantescos mientras la gente que la rodea corre un gran peligro tercera parte de la trilogía del baztán
une offrande à la tempête film 2020 allociné - Sep 27 2022

web sep 2 2021 une offrande à la tempête est un film réalisé par fernando gonzález molina avec leonardo sbaraglia marta etura synopsis dans ce troisième volet de la trilogie du baztán amaia enquête

ver ofrenda a la tormenta 2020 online gratis hd repelishd - Feb 18 2022

web jul 24 2020 repelishd estás por ver ofrenda a la tormenta película completa gratis la película ofrenda a la tormenta online en español hd película ofrenda a la tormenta estreno del 2020 gratis películas en audio idioma español castellano

ofrenda a la tormenta 2020 película ecartelera - Apr 22 2022

web toda la información sobre ofrenda a la tormenta 2020 tráiler cartelera en cines sinopsis imágenes reparto críticas curiosidades de ofrenda a la tormenta

ofrenda a la tormenta película ver online en español justwatch - May 24 2022

web sinopsis ha pasado ya un tiempo desde que la inspectora amaia salazar marta etura se enfrentó a su madre pero a pesar de que tanto la guardia civil como el juez markina leonardo sbaraglia dan por cerrado el caso amaia siente que no está libre de peligro la muerte súbita de una niña en elizondo resulta sospechosa y los análisis

ofrenda a la tormenta 2020 filmaffinity - Sep 08 2023

web ofrenda a la tormenta es una película dirigida por fernando gonzález molina con marta etura leonardo sbaraglia elvira mínguez benn northover año 2020 título original ofrenda a la tormenta sinopsis ha pasado ya un tiempo desde que la inspectora amaia salazar se enfrentó a su madre

ofrenda a la tormenta officiële netflix website - Mar 02 2023

web ofrenda a la tormenta 2020 leeftijdsclassificatie 16 2 u 19m thrillers amaia onderzoekt meerdere verdachte gevallen van kindersterfte en gruwelijke rituelen ondertussen lopen mensen om haar heen groot gevaar deel 3 van de baztan trilogie hoofdrollen marta etura leonardo sbaraglia carlos librado nene kijk zoveel je wilt

ofrenda a la tormenta sinemalar com - Oct 09 2023

web ofrenda a la tormenta film konusu baztan Üçlemesinin üçüncü kısmında amaia birçok şüpheli bebek ölümünü ve korkunç ritüelleri araştırır bu sırada etrafındakiler ölümcül bir tehlikeyle karşı karşıyadır fernando gonzález molina nın yönettiği baztan Üçlemesi nin son filminde marta etura ve leonardo sbaraglia

ofrenda a la tormenta trailer hd youtube - Jun 24 2022

web ofrenda a tormenta trailer oficial 2020 más info trailersyestrenos es ofrenda a la tormenta fernando gonzalez molina twitter twitter com

ofrenda a la tormenta wikipedia la enciclopedia libre - Jul 06 2023

web ofrenda a la tormenta es una película española dirigida por fernando gonzález molina y protagonizada por marta etura leonardo sbaraglia y carlos librado fue estrenada el 18 de septiembre de 2020 sinopsis pasó un tiempo desde que amaia se enfrentó a su madre

ofrenda a la tormenta película 2020 sensacine com - Oct 29 2022

web ofrenda a la tormenta es una película dirigida por fernando gonzález molina con leonardo sbaraglia marta etura sinopsis regresa la inspectora amaia salazar marta etura

ofrenda a la tormenta y la trilogía del baztán análisis de las - Mar 22 2022

web jul 27 2020 ofrenda a la tormenta y la trilogía del baztán análisis de las películas de netflix arnold schwarzenegger shingeki no kyojin cómo ofrenda a la tormenta confirma que la trilogía del baztán ha ido de más a menos en su apuesta por el thriller con folklore 2020 07 27t15 24 30z

offering to the storm 2020 the movie database tmdb - Nov 29 2022

web jul 24 2020 original title ofrenda a la tormenta status released original language spanish castilian budget 5 989 313 00 revenue keywords no keywords have been added