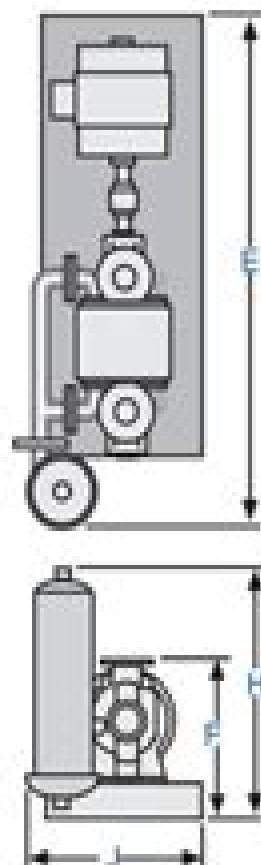


V-BELT DRIVE

With discharge manifold and one water-trap silencer

Dimensions in Inches

SERIES	E	F	H	J
CL 4000	121	56	104	121
CL 3000	101	48	104	110
CL 2000	87	40	91	95
CL 1000	76	29	60	74
CL 700	59	23	47	65
CL 400	51	19	46	56
CL 200	38	17	34	43

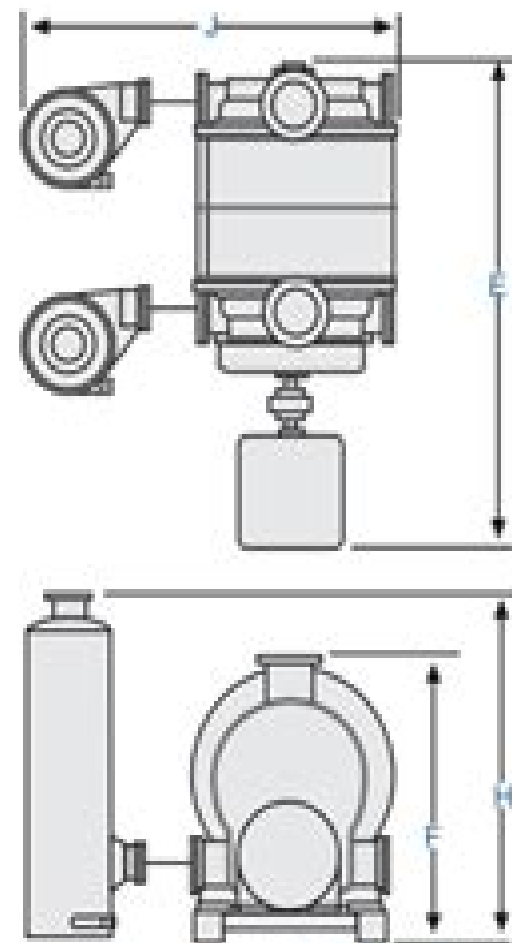


DIRECT DRIVE

With discharge manifold and one water-trap silencer

Dimensions in Inches

SERIES	E	F	H	J
CL 400	84	19	46	31
CL 200	60	17	34	22



INTEGRAL GEAR DRIVE

With two water-trap silencers

Dimensions in Inches

SERIES	E	F	H	J
CL 9000	160	92	104	114
CL 6000	138	78	91	100

Nash CI 2015 Guide

**Cecily Betz, Marilyn Krajicek, Martha
Craft-Rosenberg**

Nash CI 2015 Guide:

Guidelines for Nursing Excellence in the Care of Children, Youth, and Families Second Edition Cecily Betz, Marilyn Krajicek, Martha Craft-Rosenberg, 2017-10-28 First Edition Designated a Doody's Core Title and Winner of an AJN Book of the Year Award This distinguished title written by nationally recognized nursing experts in health care and pediatrics delivers the most current evidence based practice standards and their application These guidelines developed through systematic consensus building led by the AAN's Child Adolescent and Family Expert Panel incorporates the wisdom of 17 professional nursing and healthcare organizations regarding the core elements of pediatric nursing excellence This second edition contains substantial updates to all guidelines based on the most current research evidence and demonstrates examples of how to best apply the guidelines to nursing practice Disseminating the gold standard of care for infants children adolescents and families this text addresses access to health care genetic assessment and counseling culturally responsive care care for children and youth with disabilities and others Every chapter breaks down a guideline into its definition history and implications for clinical education policy and research in nursing practice A case study based around the analyzed guideline illustrates how the guideline should be employed in nursing practice culminates every chapter Replete with supplemental online files full of resources to apply these guidelines to nursing practice Guidelines for Nursing Excellence in the Care of Children Youth and Families represents an invaluable resource for pediatric nurses nursing students nursing educators nursing administrators pediatric and family nurse practitioners advanced practice nurses nursing clinicians in public health school nurses and nurse researchers New to the Second Edition Significant updates to all 17 guidelines based on latest research evidence Contributions by five new nursing and health care organizations A new chapter organizational framework incorporating useful pedagogical elements Examples of applications to education research policy and clinical practice A new faculty toolkit Key Features Provides current pediatric practice standards formatted and endorsed by 17 leading professional nursing and health care organizations Includes content applicable to advanced practice nurses educators researchers and consultants Includes learning objectives description of guidelines applications to practice exemplars references and websites for additional resources

Handbook of Substance Misuse and Addictions Vinood B. Patel, Victor R. Preedy, 2022-10-17 Substance misuse and addictions are a public health issue They affect the well being of each community and nation as a whole It is therefore necessary to identify educate and treat individuals who are addicted to substances Policies and procedures go hand in hand with public health education and safety The science behind the public health issues of one drug may be applicable to other drugs as well However marshalling all of the aforementioned information into a single source is somewhat difficult due to the wide array of material The Editors address this by compiling the research in this single reference work that serves as a one stop shopping approach to everything readers need to know about the scientific basis of public health and addictions and agents of misuse Apart from active agents that have a plant or chemical basis there is a

need to consider that there are other forms of addiction which may have common modes of causality or prevention These include food addiction gaming gambling and other non drug addictions These types of addiction may be related to the addiction of drugs The Handbook of Substance Misuse and Addictions From Biology to Public Health offers a holistic understanding of the relationship between public health and substance misuse The text provides a common platform upon which other forms of addiction or substance misuse can be understood and treated Addiction processes involve understanding the biological processes as well as behavior psychology sociology and public health all of which are interlinked This Handbook is a useful reference for lecturers students researchers practitioners and other professionals in public health addiction science epidemiology health education health promotion and health sciences

Handbook of Evidence-Based Inpatient Mental Health Programs for Children and Adolescents Jarrod M. Leffler, Alysha D. Thompson, Shannon W. Simmons, 2024-08-30 This book reviews the history of inpatient psychiatric hospital IPH and acute mental health services for youth In addition it highlights current IPH care models for children and adolescents demonstrating an increase in the development and implementation of evidence based informed EBI treatments in IPH and acute care settings The book offers insights into program development implementation and measurement as well as considerations for sustainability Chapters describe interventions designed to enhance the well being of youth and their families who are experiencing a range of mental health concerns The book shares practicable strategies for measuring outcomes and applying these results to meaningful clinical outcomes in IPH and acute care settings It also provides treatment referral resources and information about the process of accessing and using such services Finally the book reviews additional treatment resources that may be necessary in the continuum of mental health care for youth Key areas of coverage include Developing and constructing the physical and safety environment of an IPH unit and suicide and safety planning Setting and monitoring treatment goals and discharge criteria Equity diversity and inclusion considerations in psychiatric inpatient units Program operations and therapy on a psychiatric inpatient unit for youth diagnosed with neurodevelopmental disorders Disaster preparation and impact on inpatient psychiatric care The Handbook of Evidence Based Inpatient Mental Health Programs for Children and Adolescents is a must have resource for researchers professors and graduate students as well as clinicians therapists and other professionals in developmental clinical child developmental and school psychology social work public health child and adolescent psychiatry family studies pediatrics and all related disciplines

Roadmap for Global Sustainability – Rise of the Green Communities Salah El-Haggar, Aliaa Samaha, 2019-05-08 Progressive increases in consumer demands along with aggressive industrial consumption led the world to proximate resource depletion weather changes soil and air degradation and water quality deterioration We now know that the paradigm of production at the expense of human condition is not sustainable This book briefly explains how we reached this situation and offers suggestions as to what can be done to overcome it It invites the best entrepreneurial talent and scientific and technological know how to develop a

sustainable economy around sustainable communities services and sectors A major obstacle previously identified by involved parties was the ability of accommodating for the emerging economic growth without causing harm to the environment especially with resource depletion This book provides the solution by creating a need to bring on a new revolution that preserves the rights of next generations to live in a healthy environment This Sustainability Revolution requires the integration of economic environmental and social factor as well as the practical aspects of implementing sustainability through green activities which are discussed throughout the book In this book a globalization is proposed that encourages creativity and innovation towards sustainability With this global sustainability approach real globalization both rich and poor will benefit from the global sustainability approach This will close the gap between rich and poor Developing countries could reap the benefit of current technology without undergoing many of the growing pains associated with development of these technologies Governments are able to better work together towards common goals now that there is an advantage in cooperation an improved ability to interact and coordinate and a global awareness of issues The book presents a sustainability roadmap to bring together various concepts that have been dealt with independently by previous authors and link them to establish the fundamental practical steps The flow path and the direction for successful implementation of a sustainability roadmap are also discussed in detail in the book For the first time the authors use sustainable communities to create a better quality of life for residents while minimizing the use of the resources to meet current needs and ensure adequate resources for future generations These green communities create new industries for the local economy and improve public health which offers more hope for their citizens Sustainable transportation renewable energy recycling clean water and urban forests help to make a more livable community and help to control the global climate change They involve all citizens and incorporate local values into decision making

The Official Railway Guide ,1878 Handbook of Psychological Assessment in Primary Care Settings Mark E. Maruish,2017-04-21 The second edition Handbook of Psychological Assessment in Primary Care Settings offers an overview of the application of psychological screening and assessment instruments in primary care settings This indispensable reference addresses current psychological assessment needs and practices in primary care settings to inform psychologists behavioral health clinicians and primary care providers the clinical benefits that can result from utilizing psychological assessment and other behavioral health care services in primary care settings

The Routledge Handbook on Postsecondary Student Success Shouping Hu,Joe O'Shea,2025-09-15 The Routledge Handbook on Postsecondary Student Success offers a comprehensive and authoritative examination of student success in postsecondary education This handbook addresses critical issues in student success such as student engagement mental health and degree completion to provide valuable insights on promoting student success holistically and systematically for students from different backgrounds or in different institutional contexts It also offers a robust understanding of how to study and enhance student success by exploring the significance of data analytics and various

research methods Using evidence based insights and practical strategies and offering key concepts theories and best practices this handbook serves as a guide to promoting overall student success and closing success gaps With forty chapters authored by leading thinkers in higher education this handbook is an indispensable resource for postsecondary administrators faculty staff practitioners graduate students researchers and policymakers It informs and inspires efforts to improve student outcomes and create more supportive environments so students everywhere can succeed and flourish

High Throughput Screening Methods Joshua A Bittker,Nathan T Ross,2016-12-05 High throughput screening remains a key part of early stage drug and tool compound discovery and methods and technologies have seen many fundamental improvements and innovations over the past 20 years This comprehensive book provides a historical survey of the field up to the current state of the art In addition to the specific methods this book also considers cultural and organizational questions that represent opportunities for future success Following thought provoking foreword and introduction from Professor Stuart Schreiber and the editors chapters from leading experts across academia and industry cover initial considerations for screening methods appropriate for different goals in small molecule discovery newer technologies that provide alternative approaches to traditional miniaturization procedures and practical aspects such as cost and resourcing Within the context of their historical development authors explain common pitfalls and their solutions This book will serve as both a practical reference and a thoughtful guide to the philosophy underlying technological change in such a fast moving area for postgraduates and researchers in academia and industry particularly in the areas of chemical biology pharmacology structural biology and assay development Consolidated guidelines on HIV prevention, testing, treatment, service delivery and monitoring World Health Organization,2021-07-16 These consolidated guidelines on HIV prevention testing treatment service delivery and monitoring bring together existing and new clinical and programmatic recommendations across different ages populations and settings bringing together all relevant WHO guidance on HIV produced since 2016 It serves as an update to the previous edition of the consolidated guidelines on HIV These guidelines continue to be structured along the continuum of HIV care Information on new combination prevention approaches HIV testing ARV regimens and treatment monitoring are included There is a new chapter on advanced HIV disease that integrates updated guidance on the management of important HIV comorbidities including cryptococcal disease histoplasmosis and tuberculosis The chapter on general HIV care contains a new section on palliative care and pain management and up to date information on treatment of several neglected tropical diseases such as visceral leishmaniasis and Buruli ulcer New recommendations for screening and treating of cervical pre cancer lesions in women living with HIV are also addressed in this chapter Guidance on service delivery was expanded to help the implementation and strengthening the HIV care cascade Importantly this guidance emphasizes the need for differentiated approaches to care for people who are established on ART such as reduced frequency of clinic visits use of multi month drug dispensing and implementation of community ART distribution The adoption of these

efficiencies is essential to improve the quality of care of people receiving treatment and reduce the burden on health facilities particularly in resource limited settings [A Comprehensive Guide to Non-alcoholic Fatty Liver Disease](#) Ju-Seop

Kang,2025-08-20 The prevalence of Non alcoholic fatty liver disease NAFLD in individuals with T2DM can be as high as 70% and these patients experience a twofold increased risk of all cause mortality In patients with severe obesity the prevalence of NAFLD may rise to 90% Consequently the prevalence of NAFLD represents a significant global health burden that requires urgent clinical attention and management NAFLD is explicitly defined by the presence of excessive hepatic fat accumulation in the absence of other causative factors which include but are not limited to significant alcohol consumption viral hepatitis the use of steatogenic medications such as amiodarone or tamoxifen and concurrent liver diseases This book discusses several topics highly correlated with NAFLD including nutrition micronutrients gut microbiota diet metabolic disease pregnancy and lifestyle factors to enhance the general public s comprehensive understanding of NAFLD *Industrial*

Directory and Shippers' Guide New York Central Lines,1921 *Comprehensive Geographic Information Systems* ,2017-07-21 Geographical Information Systems Three Volume Set is a computer system used to capture store analyze and display information related to positions on the Earth s surface It has the ability to show multiple types of information on multiple geographical locations in a single map enabling users to assess patterns and relationships between different information points a crucial component for multiple aspects of modern life and industry This 3 volumes reference provides an up to date account of this growing discipline through in depth reviews authored by leading experts in the field VOLUME EDITORSThomas J CovaThe University of Utah Salt Lake City UT United StatesMing Hsiang TsouSan Diego State University San Diego CA United StatesGeorg BarethUniversity of Cologne Cologne GermanyChunqiao SongUniversity of California Los Angeles CA United StatesYan SongUniversity of North Carolina at Chapel Hill Chapel Hill NC United StatesKai CaoNational University of Singapore SingaporeElisabete A SilvaUniversity of Cambridge Cambridge United Kingdom Covers a rapidly expanding discipline providing readers with a detailed overview of all aspects of geographic information systems principles and applications Emphasizes the practical socioeconomic applications of GIS Provides readers with a reliable one stop comprehensive guide saving them time in searching for the information they need from different sources *The Official Guide of the Railways and Steam Navigation Lines of the United States, Porto Rico, Canada, Mexico and Cuba* ,1885

North Carolina Almanac and State Industrial Guide ,1954 *A Clinical Guide to Psychiatric Ethics* Laura Weiss Roberts,2016-04-19 In the video above listen to the author Dr Roberts discuss with Chief of Staff John M Oldham the challenges that medical residents face in managing their own mental health and wellbeing Professional ethics and decision making have become areas of heightened critical inquiry as well as matters of normal but challenging psychiatric practice Informed by the extensive clinical experience of the author and guest contributors *A Clinical Guide to Psychiatric Ethics* approaches the ethical aspects of mental health care both subtle and dramatic with clarity coherence and optimism This

engaging text functions as both a review and a guide to issues on the horizon as well as those encountered every day The Guide achieves these objectives by employing several strategic features Structured logically into three parts Fundamentals Caring for Special Populations and Evolving Topics the book takes the reader from the general to the specific and from the traditional to the emergent Case scenarios at the end of each chapter not only focus the individual reader on the chapter s concepts and issues but also may be used in independent study or small group discussions The text emphasizes real experience over remote theories attuning readers to clinical realities with keen sensitivity It does not offer simple answers but provides guideposts to impart information foster skill development and encourage openness collaboration and self reflection among both veteran clinicians and trainees Significant focus is given to the care of individuals from distinct populations e g children and veterans and care occurring in unique contexts e g small communities underscoring the book s broad usefulness The material is thoroughly current aided by useful lists tables and figures to enhance its accessibility A Clinical Guide to Psychiatric Ethics provides a trustworthy compass and expert companion for those traveling with their patients along the ethical frontier of mental illness

The Handbook of Health Behavior Change, Fifth Edition Marisa E. Hilliard, Kristin A. Riekert, Judith K. Ockene, Lori Pbert, 2018-04-28 This revised and updated fifth edition of the highly acclaimed gold standard textbook continues to provide a foundational review of health behavior change theories research methodologies and intervention strategies across a range of populations age groups and health conditions It examines numerous complex and often co occurring factors that can both positively and negatively influence people s ability to change behaviors to enhance their health including intrapersonal interpersonal sociocultural environmental systems and policy factors in the context of leading theoretical frameworks Beyond understanding predictors and barriers to achieving meaningful health behavior change the Handbook provides an updated review of the evidence base for novel and well supported behavioral interventions and offers recommendations for future research New content includes chapters on Sun Protection Interventions With the Family System and the Role of Technology in Behavior Change Throughout the textbook updated reviews emphasize mobile health technologies and electronic health data capture and transmission and a focus on implementation science And the fifth edition like the previous edition provides learning objectives to facilitate use by course instructors in health psychology behavioral medicine and public health The Handbook of Health Behavior Change Fifth Edition is a valuable resource for students at the graduate and advanced undergraduate level in the fields of public or population health medicine behavioral science health communications medical sociology and anthropology preventive medicine and health psychology It also is a great reference for clinical investigators behavioral and social scientists and healthcare practitioners who grapple with the challenges of supporting individuals families and systems when trying to make impactful health behavior change

NEW TO THE FIFTH EDITION Revised and updated to encompass the most current research and empirical evidence in health behavior change Includes new chapters on Sun Protection Interventions With the

Family System and the Role of Technology in Behavior Change Increased focus on innovations in technology in relation to health behavior change research and interventions KEY FEATURES The most comprehensive review of behavior change interventions Provides practical empirically based information and tools for behavior change Focuses on robust behavior theories multiple contexts of health behaviors and the role of technology in health behavior change Applicable to a wide variety of courses including public health behavior change preventive medicine and health psychology Organized to facilitate curriculum development and includes tools to assist course instructors including learning objectives for each chapter

Handbook of Arts-Based Research Patricia Leavy, 2025-01-31 Bringing together interdisciplinary leaders in methodology and arts based research ABR this comprehensive handbook explores the synergies between artistic and research practices and addresses issues in designing implementing evaluating and publishing ABR studies Coverage includes the full range of ABR genres including those based in literature such as narrative and poetic inquiry performance music dance playbuilding visual arts drawing and painting collage installation art comics and audiovisual and multimethod approaches Each genre is described in detail and brought to life with robust research examples Team approaches ethics and public scholarship are discussed as are innovative ways that ABR is used within creative arts therapies psychology education sociology health sciences business and other disciplines The companion website includes selected figures from the book in full color additional online only figures and links to online videos of performance pieces [Handbook of Cognitive Behavioral Therapy for Pediatric Medical Conditions](#) Robert D. Friedberg, Jennifer K. Paternostro, 2019-10-02 This handbook offers a comprehensive review of cognitive behavioral therapy CBT for working in integrated pediatric behavioral health care settings It provides research findings explanations of theoretical concepts and principles and descriptions of therapeutic procedures as well as case studies from across broad conceptual areas Chapters discuss the value of integrated care diversity issues ethical considerations and the necessary adaptations In addition chapters address specific types of pediatric conditions and patients such as the implementation of CBT with patients with gastrointestinal complaints enuresis encopresis cancer headaches epilepsy sleep problems diabetes and asthma The handbook concludes with important directions in research and practice including training and financial considerations Topics featured in this handbook include Emotional regulation and pediatric behavioral health problems Dialectical Behavior Therapy DBT for pediatric medical conditions Pharmacological interventions and the combined use of CBT and medication CBT in pediatric patients with chronic pain CBT for pediatric obesity CBT informed treatments and approaches for transgender and gender expansive youth Medical non compliance and non adherence associated with CBT Training issues in pediatric psychology The Handbook of Cognitive Behavioral Therapy for Pediatric Medical Conditions is an essential resource for researchers and graduate students as well as clinicians related therapists and professionals in clinical child and school psychology pediatrics social work developmental psychology behavioral therapy rehabilitation child and adolescent psychiatry nursing and special education [Cellular and Molecular](#)

Mechanisms Underlying the Pathogenesis of Hepatic Fibrosis Ralf Weiskirchen,2020-12-29 Worldwide liver fibrosis is a major cause of morbidity and mortality and is associated with a high medical and economic burden It is the common consequence of chronic liver injury due to various etiologies During fibrogenesis there is a progressive substitution of the liver parenchyma by scar tissue Recent advances in the understanding of the history of liver fibrosis have shown that the pathogenesis is driven by different cell types and a large variety of soluble mediators At present scientists working in this field aim to increase basic knowledge improve diagnostics and try to translate experimental findings into new treatment modalities This book includes 12 selected contributions from the Special Issue Cellular and Molecular Mechanisms Underlying the Pathogenesis of Hepatic Fibrosis that was published in Cells These articles summarize current perspectives and findings in hepatic fibrosis research showing how scientists try to use basic scientific research to create new therapies and diagnostics

International Handbook of Psychology Learning and Teaching Joerg Zumbach,Douglas A. Bernstein,Susanne Narciss,Giuseppina Marsico,2022-12-16 The International Handbook of Psychology Learning and Teaching is a reference work for psychology learning and teaching worldwide that takes a multi faceted approach and includes national international and intercultural perspectives Whether readers are interested in the basics of how and what to teach in training psychology teachers in taking steps to improve their own teaching or in planning or implementing research on psychology learning and teaching this handbook will provide an excellent place to start Chapters address ideas issues and innovations in the teaching of all psychology courses whether offered in psychology programs or as part of curricula in other disciplines The book also presents reviews of relevant literature and best practices related to everything from the basics of course organization to the use of teaching technology Three major sections consisting of several chapters each address Teaching Psychology in Tertiary Higher Education Psychology Learning and Teaching for All Audiences and General Educational and Instructional Approaches to Psychology Learning and Teaching

When people should go to the books stores, search creation by shop, shelf by shelf, it is in fact problematic. This is why we offer the ebook compilations in this website. It will totally ease you to see guide **Nash Cl 2015 Guide** as you such as.

By searching the title, publisher, or authors of guide you in reality want, you can discover them rapidly. In the house, workplace, or perhaps in your method can be every best place within net connections. If you strive for to download and install the Nash Cl 2015 Guide, it is categorically easy then, before currently we extend the member to purchase and make bargains to download and install Nash Cl 2015 Guide correspondingly simple!

https://correiodobrasil.blogosfero.cc/files/virtual-library/Download_PDFS/new%20men%20in%20the%20roman%20senate%20139%20bc%20ad%2014.pdf

Table of Contents Nash Cl 2015 Guide

1. Understanding the eBook Nash Cl 2015 Guide
 - The Rise of Digital Reading Nash Cl 2015 Guide
 - Advantages of eBooks Over Traditional Books
2. Identifying Nash Cl 2015 Guide
 - Exploring Different Genres
 - Considering Fiction vs. Non-Fiction
 - Determining Your Reading Goals
3. Choosing the Right eBook Platform
 - Popular eBook Platforms
 - Features to Look for in an Nash Cl 2015 Guide
 - User-Friendly Interface
4. Exploring eBook Recommendations from Nash Cl 2015 Guide
 - Personalized Recommendations
 - Nash Cl 2015 Guide User Reviews and Ratings
 - Nash Cl 2015 Guide and Bestseller Lists

5. Accessing Nash CI 2015 Guide Free and Paid eBooks
 - Nash CI 2015 Guide Public Domain eBooks
 - Nash CI 2015 Guide eBook Subscription Services
 - Nash CI 2015 Guide Budget-Friendly Options
6. Navigating Nash CI 2015 Guide eBook Formats
 - ePub, PDF, MOBI, and More
 - Nash CI 2015 Guide Compatibility with Devices
 - Nash CI 2015 Guide Enhanced eBook Features
7. Enhancing Your Reading Experience
 - Adjustable Fonts and Text Sizes of Nash CI 2015 Guide
 - Highlighting and Note-Taking Nash CI 2015 Guide
 - Interactive Elements Nash CI 2015 Guide
8. Staying Engaged with Nash CI 2015 Guide
 - Joining Online Reading Communities
 - Participating in Virtual Book Clubs
 - Following Authors and Publishers Nash CI 2015 Guide
9. Balancing eBooks and Physical Books Nash CI 2015 Guide
 - Benefits of a Digital Library
 - Creating a Diverse Reading Collection Nash CI 2015 Guide
10. Overcoming Reading Challenges
 - Dealing with Digital Eye Strain
 - Minimizing Distractions
 - Managing Screen Time
11. Cultivating a Reading Routine Nash CI 2015 Guide
 - Setting Reading Goals Nash CI 2015 Guide
 - Carving Out Dedicated Reading Time
12. Sourcing Reliable Information of Nash CI 2015 Guide
 - Fact-Checking eBook Content of Nash CI 2015 Guide
 - Distinguishing Credible Sources
13. Promoting Lifelong Learning

- Utilizing eBooks for Skill Development
 - Exploring Educational eBooks
14. Embracing eBook Trends
- Integration of Multimedia Elements
 - Interactive and Gamified eBooks

Nash CI 2015 Guide Introduction

In the digital age, access to information has become easier than ever before. The ability to download Nash CI 2015 Guide has revolutionized the way we consume written content. Whether you are a student looking for course material, an avid reader searching for your next favorite book, or a professional seeking research papers, the option to download Nash CI 2015 Guide has opened up a world of possibilities. Downloading Nash CI 2015 Guide provides numerous advantages over physical copies of books and documents. Firstly, it is incredibly convenient. Gone are the days of carrying around heavy textbooks or bulky folders filled with papers. With the click of a button, you can gain immediate access to valuable resources on any device. This convenience allows for efficient studying, researching, and reading on the go. Moreover, the cost-effective nature of downloading Nash CI 2015 Guide has democratized knowledge. Traditional books and academic journals can be expensive, making it difficult for individuals with limited financial resources to access information. By offering free PDF downloads, publishers and authors are enabling a wider audience to benefit from their work. This inclusivity promotes equal opportunities for learning and personal growth. There are numerous websites and platforms where individuals can download Nash CI 2015 Guide. These websites range from academic databases offering research papers and journals to online libraries with an expansive collection of books from various genres. Many authors and publishers also upload their work to specific websites, granting readers access to their content without any charge. These platforms not only provide access to existing literature but also serve as an excellent platform for undiscovered authors to share their work with the world. However, it is essential to be cautious while downloading Nash CI 2015 Guide. Some websites may offer pirated or illegally obtained copies of copyrighted material. Engaging in such activities not only violates copyright laws but also undermines the efforts of authors, publishers, and researchers. To ensure ethical downloading, it is advisable to utilize reputable websites that prioritize the legal distribution of content. When downloading Nash CI 2015 Guide, users should also consider the potential security risks associated with online platforms. Malicious actors may exploit vulnerabilities in unprotected websites to distribute malware or steal personal information. To protect themselves, individuals should ensure their devices have reliable antivirus software installed and validate the legitimacy of the websites they are downloading from. In conclusion, the ability to download Nash CI 2015 Guide has transformed the way we access information. With the convenience, cost-effectiveness,

and accessibility it offers, free PDF downloads have become a popular choice for students, researchers, and book lovers worldwide. However, it is crucial to engage in ethical downloading practices and prioritize personal security when utilizing online platforms. By doing so, individuals can make the most of the vast array of free PDF resources available and embark on a journey of continuous learning and intellectual growth.

FAQs About Nash CI 2015 Guide Books

What is a Nash CI 2015 Guide PDF? A PDF (Portable Document Format) is a file format developed by Adobe that preserves the layout and formatting of a document, regardless of the software, hardware, or operating system used to view or print it. **How do I create a Nash CI 2015 Guide PDF?** There are several ways to create a PDF: Use software like Adobe Acrobat, Microsoft Word, or Google Docs, which often have built-in PDF creation tools. Print to PDF: Many applications and operating systems have a "Print to PDF" option that allows you to save a document as a PDF file instead of printing it on paper. Online converters: There are various online tools that can convert different file types to PDF. **How do I edit a Nash CI 2015 Guide PDF?** Editing a PDF can be done with software like Adobe Acrobat, which allows direct editing of text, images, and other elements within the PDF. Some free tools, like PDFescape or Smallpdf, also offer basic editing capabilities. **How do I convert a Nash CI 2015 Guide PDF to another file format?** There are multiple ways to convert a PDF to another format: Use online converters like Smallpdf, Zamzar, or Adobe Acrobats export feature to convert PDFs to formats like Word, Excel, JPEG, etc. Software like Adobe Acrobat, Microsoft Word, or other PDF editors may have options to export or save PDFs in different formats. **How do I password-protect a Nash CI 2015 Guide PDF?** Most PDF editing software allows you to add password protection. In Adobe Acrobat, for instance, you can go to "File" -> "Properties" -> "Security" to set a password to restrict access or editing capabilities. Are there any free alternatives to Adobe Acrobat for working with PDFs? Yes, there are many free alternatives for working with PDFs, such as: LibreOffice: Offers PDF editing features. PDFsam: Allows splitting, merging, and editing PDFs. Foxit Reader: Provides basic PDF viewing and editing capabilities. How do I compress a PDF file? You can use online tools like Smallpdf, ILovePDF, or desktop software like Adobe Acrobat to compress PDF files without significant quality loss. Compression reduces the file size, making it easier to share and download. Can I fill out forms in a PDF file? Yes, most PDF viewers/editors like Adobe Acrobat, Preview (on Mac), or various online tools allow you to fill out forms in PDF files by selecting text fields and entering information. Are there any restrictions when working with PDFs? Some PDFs might have restrictions set by their creator, such as password protection, editing restrictions, or print restrictions. Breaking these restrictions might require specific software or tools, which may or may not be legal depending on the circumstances and local laws.

Find Nash CI 2015 Guide :

new men in the roman senate 139 bc ad 14

~~nice book eisenhowers armies american british alliance during
nfpa fire alarm system symbols~~

nice book african textiles karun thakar collection

next of kin a john cleaver novella

newborn guide new parents

new viral marketing riches with master resale rights

new science of learning cognition computers and collaboration in education

nha ehr study guide

nice book hipster pals cut outs carson dellosa publishing

~~new politics sweden lee miles~~

newest version of adobe acrobat

new orleans cemeteries life in the cities of the dead

~~newnes electronics toolkit second edition~~

~~new york city electrical code~~

Nash CI 2015 Guide :

e se non ci riesco tea libreria universitaria - Feb 16 2022

web e se non ci riesco tea di silvia serreli scrivi per primo una recensione editore giunti kids collana tea data di pubblicazione 3 settembre 2014 ean 9788809794993 isbn 8809794990 pagine 36 formato broccura argomenti temi personali e sociali autocoscienza e autostima bambini e ragazzi età consigliata 4 anni

e se non ci riesco tea silvia serreli google books - Feb 28 2023

web e se non ci riesco tea tea giunti author silvia serreli edition 3 publisher giunti kids 2014 isbn 8809794990 9788809794993 length 36 pages subjects

tea e se non ci riesco silvia serreli libro café - May 22 2022

web sep 12 2018 tea perché devo aspettare di silvia serreli giunti tea ha sei anni una famiglia che le vuole bene un gatto e tanti amici va a scuola volentieri ma non le piace la matematica preferisce andare a judo e al parco a giocare tea è una bambina dei giorni nostri allegra tenera e molto divertente

[tea e se non ci riesco youtube](#) - Sep 06 2023

web tea e se non ci riesco di s serrelli edito da giunti voce valeria tutti prima o poi pensiamo di non farcela l importante è non scoraggiarsi e creder

e se non ci riesco tea serrelli silvia amazon com tr kitap - Oct 07 2023

web arama yapmak istediğiniz kategoriye seçin

[e se non ci riesco tea serrelli silvia amazon de bücher](#) - Jul 24 2022

web e se non ci riesco tea serrelli silvia isbn 9788809794993 kostenloser versand für alle bücher mit versand und verkauf duch amazon

[tea e se non ci riesco by silvia serrelli goodreads](#) - Apr 01 2023

web sep 12 2018 e se non ci riesco by silvia serrelli goodreads jump to ratings and reviews want to read kindle 2 99 rate this book tea e se non ci riesco silvia serrelli 3 57 14 ratings2 reviews tea deve andare al mare ma non sa nuotare bene quando guarda gli altri bambini pensa che siano molto più bravi di lei non sono capace

[e se non ci riesco tea di silvia serrelli libro opinioni e prezzo](#) - Mar 20 2022

web apr 1 2017 per fortuna imparerà presto che non importa essere capaci di fare tutto ma che basta impegnarsi e provarci età di lettura da 4 anni opinioni dei lettori elenco opinioni guarda le opinioni di chi ha già letto e se non ci riesco tea di silvia serrelli e considera se è di tuo gradimento

[e se non ci riesco tea serrelli silvia amazon es libros](#) - Oct 27 2022

web molto carina la storia e viene affrontato il problema dell ansia da prestazione e dell autostima dei bambini in maniera divertente e molto propositiva super consigliato leer más

[tea e se non ci riesco youtube](#) - Apr 20 2022

web una storia della nostra amica tea sulle cose che si riescono e non si riescono a fare

e se non ci riesco tea italian edition serrelli silvia - Nov 27 2022

web sep 3 2014 e se non ci riesco tea italian edition serrelli silvia on amazon com free shipping on qualifying offers e se non ci riesco tea italian edition

[e se non ci riesco tea silvia serrelli libro mondadori store](#) - Dec 29 2022

web e se non ci riesco tea silvia serrelli pubblicato da giunti kids dai un voto prezzo online 6 90 o 3 rate da 2 30 senza interessi disponibilità immediata la disponibilità è espressa in giorni lavorativi e fa riferimento ad un singolo pezzo 14 punti carta payback prodotto acquistabile con carta del docente e 18app aggiungi al carrello

e se non ci riesco serrelli silvia amazon it libri - Jun 03 2023

web tea deve andare al mare ma non sa nuotare bene quando guarda gli altri bambini pensa che siano molto più bravi di lei

non sono capace dice quando ha paura di non riuscire a fare qualcosa per fortuna imparerà presto che non importa essere capaci di fare tutto ma che basta impegnarsi e provarci età di lettura da 4 anni

e se non ci riesco tea amazon com br - Sep 25 2022

web compre online e se non ci riesco tea de serreli silvia na amazon frete grÁtis em milhares de produtos com o amazon prime encontre diversos livros em inglÊs e outras línguas com ótimos preços

e se non ci riesco overdrive - Jan 30 2023

web aug 1 2019 la mamma vuole iscrivere tea in piscina così al mare potrà nuotare senza braccioli che vergogna però i suoi amici sono già così bravi e se lei non fosse capace 2014 giunti editore s p a

e se non ci riesco silvia serreli giunti editore - Aug 05 2023

web scopri e se non ci riesco di silvia serreli pubblicato da giunti editore consulta il catalogo ordina online o trova una copia nella libreria più vicina a te tea ha sei anni una famiglia che le vuole bene un gatto e tanti amici

tea e se non ci riesco formato kindle amazon it - Jul 04 2023

web tea deve andare al mare ma non sa nuotare bene quando guarda gli altri bambini pensa che siano molto più bravi di lei non sono capace dice quando ha paura di non riuscire a fare qualcosa

e se non ci riesco tea silvia serreli libro libreria ibs - May 02 2023

web tea non sa nuotare e non è convinta di andare al corso per paura di non riuscire grazie alle parole della mamma ne parla con i suoi amici e scopre che anche loro hanno paura di non riuscire a fare svariate cose cose che lei sa fare già davvero un bel libro che riprende azioni che bambini di 4 5 anni sanno fare o stanno imparando a fare

e se non ci riesco tea silvia serreli libro lafeltrinelli - Aug 25 2022

web e se non ci riesco tea è un libro di silvia serreli pubblicato da giunti kids nella collana tea acquista su lafeltrinelli a 5 60

tea e se non ci riesco area onlus - Jun 22 2022

web apr 18 2020 leggermente asciugato rispetto alla versione originale l ebook inclusivo di tea e se non ci riesco propone una storia lineare e abordabile nella forma come nel contenuto in cui facilmente il lettore potrà riconoscersi

map work class 10 social science □ □ □ □ *complete mapwork* - Feb 03 2022

web introduction brahmastra series up board class 10 all subjects map work class 10 social science □ □ □ □ complete mapwork geography up board exam 2022

may 2014 mapwork task grade 10 memorandum pdf trilhoscacao - Jun 19 2023

web may 2014 mapwork task grade 10 memorandum pdf is available in our digital library an online access to it is set as public so you can download it instantly our digital library spans in multiple locations allowing you to get the most less latency time to download any

[may 2014 mapwork task grade 10 memorandum pdf](#) - May 18 2023

web apr 15 2023 may 2014 mapwork task grade 10 memorandum below teaching and learning geography daniella tilbury 2002 11 01 this book provides a clear overview of current thinking on the teaching and learning of geography it is an ideal companion to all students beginning a career in teaching the subject in secondary schools the chapters

geography gr 10 mapwork task marking guidelines 17 may - Apr 17 2023

web may 17 2022 geography misc kwinkasheila 6 22 2022 view full document students also studied mopani east district geography mapwork task marking guidelines 17 may 2022 marks 60 time 1 ½ hours this marking guidelines consists of 10 pages grade 10 geography p2 september 2018 mopani east may 2022

may 2014 mapwork task grade 10 memorandum pdf - Jul 20 2023

web jun 19 2023 their favorite books in imitation of this may 2014 mapwork task grade 10 memorandum but end in the works in harmful downloads rather than enjoying a fine pdf when a cup of coffee in the afternoon otherwise they juggled similar to some harmful virus inside their computer may 2014 mapwork task grade 10 memorandum is simple in our

grade 10 geography map work worksheets learny kids - Apr 05 2022

web 1 geography mapwork notes grades 10 12 2 geography grade 10 map work 3 geography mapwork grade 10 pdf download 4 gr 10 geography paper 1 5 grade 10 geography map work question 6 geography grade 10 paper 1 map work dec exam free 7 geography gr 10 to gr 12 8 worksheets loading

geography grade 10 mapwork task 17 may 2022 docx - Mar 16 2023

web may 17 2022 geography mapwork task mopani east may 2022 nsc grade 10 question 1 multiple choice questions the questions below are based on the 1 50 000 topographical map 2827 dd ficksburg as well as the orthophoto map 2827 dd 13 ficksburg as part of the mapped area

may 2014 mapwork task grade 10 memorandum pdf - Aug 21 2023

web may 2014 mapwork task grade 10 memorandum pdf colleague that we pay for here and check out the link you could buy guide may 2014 mapwork task grade 10 memorandum pdf or acquire it as soon as feasible you could quickly download this may 2014 mapwork task grade 10 memorandum pdf after getting deal may 2014 mapwork task grade 10

geography grade 10 mapwork task 17 may 2022 studocu - Aug 09 2022

web may 17 2022 geography gr 10 mapwork task marking guidelines 17 may 2022 introduction to geographic information systems gis ggh3703 other 100 5 document please avoid plagiarism when using this assignment introduction to geographic information systems gis ggh3703 other none 4 nkosingiphile welcome ndaba

[may 2014 mapwork task grade 10 memorandum pdf bexpert udh](#) - Jul 08 2022

web 2 may 2014 mapwork task grade 10 memorandum 2022 01 20 in recent years academic advancement and access to

funds that stimulate scientific research have been conditioned by the scientific production of individual scientists as well as the production of scientific centers institutes and universities this has led to an increase in interest

may 2014 mapwork task grade 10 memorandum - Mar 04 2022

web this may 2014 mapwork task grade 10 memorandum as one of the most practicing sellers here will extremely be along with the best options to review may 2014 mapwork task grade 10 memorandum

may 2014 mapwork task grade 10 memorandum pdf - Sep 10 2022

web mar 13 2023 we offer may 2014 mapwork task grade 10 memorandum pdf and numerous book collections from fictions to scientific research in any way accompanied by them is this may 2014 mapwork task grade 10

turkey map worksheet student handouts - Dec 13 2022

web 1 what is the capital city turkey a aliaga b ankara c konya d samsun 2 which of the following bodies of water does not border turkey a black sea b mediterranean sea c persian gulf d sea of marmara 3 what turkish city was formerly known as constantinople a istanbul b malatya c trabzon d van 4

may 2014 mapwork task grade 10 memorandum pdf - Feb 15 2023

web may 24 2023 may 2014 mapwork task grade 10 memorandum 1 8 downloaded from uniport edu ng on may 24 2023 by guest may 2014 mapwork task grade 10 memorandum right here we have countless book may 2014 mapwork task grade 10 memorandum and collections to check out we additionally have enough money variant

may 2014 mapwork task grade 10 memorandum pdf uniport edu - Jan 02 2022

web may 22 2023 2014 mapwork task grade 10 memorandum can be one of the options to accompany you behind having other time it will not waste your time take me the e book will completely manner you new

may 2014 mapwork task grade 10 memorandum secure4 khronos - Nov 12 2022

web may 2014 mapwork task grade 10 memorandum geography mapwork memorandum 2014 grade 10 geography pdf mapwork task climatology and geomorphology grade 11 geography mapwork task grade 12 memorandum 14 may geography mapwork task3 grade12 2014 pdf free download here geography grade 12 map work task 3 2014

mapwork gr 10 worksheets learny kids - May 06 2022

web mapwork gr 10 worksheets total of 8 printable worksheets available for this concept worksheets are geography mapwork notes grades 10 12 grade 9 ma mapwork gr 10 worksheets learny kids

meb 2010 2014 stratejik planı memurlar net forum - Jun 07 2022

web jan 16 2010 meb 2010 2014 stratejik planı İlköğretimden ortaöğretime geçiş oranı yüzde 85 ten yüzde 95 e yükseltilecek ortaöğretime ve üniversiteye giriş sistemi okul başarısına dayalı ve eğitim programlarıyla daha uyumlu ve okul dışı öğrenmeye ihtiyaç duymayacak bir yapıya kavuşturulacak

[may 2014 mapwork task grade 10 memorandum full pdf](#) - Oct 11 2022

web may 2014 mapwork task grade 10 memorandum making the grade for primary humanities dec 14 2022 there has been a comparative lack of guidance about assessment in primary humanities or in the subjects of history and geography that are now parts of the national curriculum at primary stages this book aims to provide an

[may 2014 mapwork task grade 10 memorandum pdf](#) - Jan 14 2023

web may 28 2023 may 2014 mapwork task grade 10 memorandum pdf eventually you will unconditionally discover a other experience and achievement by spending more cash

[ich wünsche dir zuversicht schöne grüße by marjolein bastin](#) - Jan 28 2022

web may 12 2023 ich wünsche dir zuversicht schöne grüße by marjolein bastin zu deinem geburtstag gratuliere ich dir ganz herzlich ich wunsche dir den mut neue dinge anzupacken gluck und gutes gelingen fur all deine vorhaben unsere freundschaft hat schon viele feuerproben uberstanden und wir wissen dass wir uns

[ich wünsche dir zuversicht schöne grüße blogger](#) - Jul 02 2022

web ich wünsche dir zuversicht schöne grüße 4 7 buch sie können dieses e book herunterladen downloads als pdf amazon dx word txt ppt rar und zip herunterladen es gibt viele bücher auf der welt die unser wissen verbessern können

ich wunsche dir zuversicht schone grusse cornelisfr vanlanschot - Mar 10 2023

web schone grusse an enthralling opus penned by a very acclaimed wordsmith readers embark on an immersive expedition to unravel the intricate significance of language and its indelible imprint on our lives

ich wunsche dir zuversicht schone grusse download only - Feb 09 2023

web ich wünsche dir zuversicht an jedem tag dallmayr der traum vom schönen leben zeitgenossen biographieen und charakteristiken ludwig ii könig von bayern sein leben und seine zeit lucius annäus seneca des philosophen werke werke ich wunsche dir zuversicht schone grusse downloaded from retailer bonide com by guest estrella

ich wunsche dir zuversicht schone grusse pdf - Jul 14 2023

web der titel verrät es zuversicht ist das kernthema des buches doch was ist eigentlich zuversicht ist zuversicht die hoffnung dass alles besser wird ist zuversicht das vertrauen dass sich alles zum guten wendet ist zuversicht der wunsch dass sich unsere träume erfüllen vielleicht bedeutet zuversicht für jeden menschen etwas

[ich wünsche dir zuversicht schöne grüße by marjolein bastin](#) - Oct 05 2022

web aug 23 2023 june 2nd 2020 ich wünsche dir neue möglichkeiten und erfolge viel glück ich wünsche dir viele faszinierende tage im neuen jahr ich hoffe auch dass du mich nie vergisst und wir noch viele gemeinsame momente erleben zu diesem anlass danke ich dir für deine freundschaft ich hab dich lieb immer schneller dreht sich das rad der zeit das

ich wünsche dir ich wünsche dir augen die die kleinen dinge - Mar 30 2022

web gedicht zum thema wunsch ich wünsche dir augen die die kleinen dinge des alltags wahrnehmen und ins recht licht rücken ich wünsche dir ohren die die schwingungen der untertöne im gespräch mit anderen aufnehmen ich wünsche dir hände die nicht lange zögern zu helfen und gut zu sein ich wünsche dir zur rechten zeit das richtige wort

duden suchen ich wünsche dir alles gute - Jun 01 2022

web groß oder klein schreibung von du du und ihr ihr manch einer macht sich um die groß oder kleinschreibung der anredepronomen beim duzen vielleicht gar keinen kopf wer es aber doch genauer wissen möchte der kann hier etwas über die groß oder kleinschreibung von du bzw ihr erfahren anzeige werbefreiheit aktivieren

ich wÜnsche dir zuversicht schöne grüße marjolein bastin - Dec 07 2022

web ich wÜnsche dir zuversicht schöne grüße marjolein bastin bastin marjolein eur 4 35 zu verkaufen ich wünsche dir zuversicht schöne grüße marjolein bastin von bastin marjolein bastin 235019821874

ich wünsche dir zuversicht schöne grüße amazon de - Aug 15 2023

web ich wünsche dir zuversicht schöne grüße bastin marjolein isbn 9783649669036 kostenloser versand für alle bücher mit versand und verkauf duch amazon

ich wunsche dir zuversicht schone grusse test downing co - Aug 03 2022

web ich wunsche dir zuversicht schone grusse 3 3 erlernen meldet sich der 17 jährige peter staller aus altenwald im saarland freiwillig zur kaiserlichen marine nach der harten ausbildung zum matrosen wird er der sms leipzig zugeteilt und verbringt jahre auf der asiatischen see doch das flottenwettrüs ten zwischen dem kaiserreich und

ich wunsche dir zuversicht schone grusse pdf 2023 red ortax - May 12 2023

web introduction ich wunsche dir zuversicht schone grusse pdf 2023 das buch henoach andreas gottlieb hoffmann 2017 07 08 we are delighted to publish this classic book as part of our extensive classic library collection

die perfekten grußformeln für e mails für gründer de - Apr 11 2023

web aug 18 2023 verena v herwarth molland mfg schöne oder sonnige grüße das sind übliche e mail grußformeln aber was passt zum herbst und winter ein Überblick mfg viele grüße oder doch lieber beste grüße wie verabschiede ich mich in e mails am besten mehr besucher auf die website und wie werden aus besuchern käufer

ich wunsche dir zuversicht schone grusse full pdf - Nov 06 2022

web ich wünsche dir zuversicht trans ost expedition die 4 etappe der etwas andere adventskalender traumreisen für erwachsene gesammelte dramatische werke ich wunsche dir zuversicht schone grusse downloaded from database grovemade com by guest porter zayden free days for future bod books on demand diese

was ich dir wünsche ich wünsch dir ein auge die wunder zu - Feb 26 2022

web was ich dir wünsche ich wünsch dir ein auge die wunder zu sehn ein hörendes ohr um das wort zu verstehn ich wünsch

dir den mut deine meinung zu sagen den vorsatz zu leiden ohne zu klagen ich wünsch dir den blick für ein trauriges herz den wunsch zu lindern des anderen schmerz

ich wünsche dir zuversicht schöne grüße bastin marjolein - Jan 08 2023

web ich wünsche dir zuversicht schöne grüße von bastin marjolein autor en bastin marjolein auflage 1verlag jahr copenrath 2019 format einband gebundene ausgabe gröÙe 1 9 x 0 2 x 4 4 cm 20 seitensprache deutschgewicht ca 20 gisbn 364966903xean 9783649669036bestell nr 1056855bemerkungen gelesene ausgabe

ich wünsche dir zuversicht schöne grüÙe ciltli kapak - Jun 13 2023

web ich wünsche dir zuversicht schöne grüÙe bastin marjolein amazon com tr kitap

ich wunsche dir zuversicht schone grusse pdf design bluesquare - Sep 04 2022

web ich wunsche dir zuversicht schone grusse athenaeum dallmayr der traum vom schönen leben vollständiges gebeth buch für jungfrauen lucius annaus seneca des philosophen werke lucius annäus seneca des philosophen werke illustrierte novellenzeitung der legionär einsatz und showdown in china lebensfacetten werke

ich wünsche dir spruechetante de - Apr 30 2022

web ich wünsche dir dass sich nicht alles was du denkst und was du tust in der schnellebigkeit des alltags verflüchtigt sondern dass etwas von all dem bleibt und weiterwirkt über die grenzen deines lebens hinaus autor unbekannt sprüche gedichte zitate kostenlose sprüchesammlung

ich wünsche dir zuversicht schöne grüÙe by marjolein bastin - Dec 27 2021

web may 31st 2020 ich wünsche dir zu wünschen zu träumen zu hoffen und zu wagen geh mit festem schritt in die noch nicht geschauten tage beat jan ich wünsche dir ich wünsche dir sonne im herzen zuversicht wenn die tage mal düsterer sind ich wünsche dir liebe menschen an deiner seite ein licht das du in dunklen zeiten anzünden kannst psp