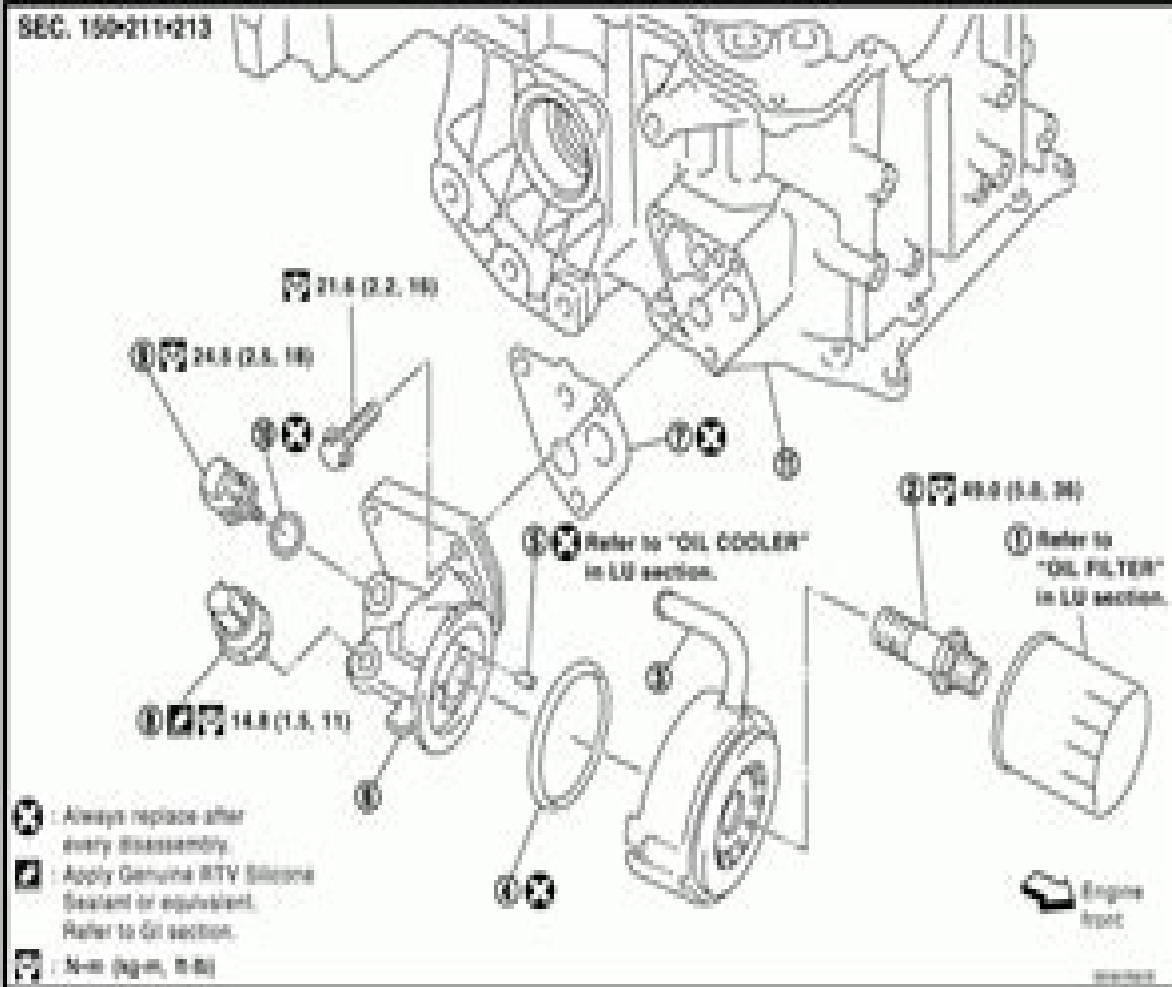


Bookmark

- QUICK REFERENCE
- Table of Contents
- V005DE
- VW45DE

Removal and Installation



Nissan Micra Owners Manual 2009

Anon



Nissan Micra Owners Manual 2009:

Mergent International Manual, 2009 *Lemon-Aid New Cars and Trucks 2010* Phil Edmonston, 2009-11-30 As U S and Canadian automakers and dealers face bankruptcy and or unprecedented downsizing Lemon Aid guides steer the confused and anxious buyer through the economic meltdown unlike any other car and truck books on the market Phil Edmonston Canada s automotive Dr Phil for more than 35 years pulls no punches This compendium of everything that s new in cars and trucks is packed with feedback from Canadian drivers insider tips internal service bulletins and confidential memos to help the consumer select what s safe reliable and fuel frugal Know all about profit margins rebates and safety defects And when things go wrong fight back Lemon Aid s complaint tactics sample letters Internet gripe sites and winning jurisprudence will get you attention and a refund *Nissan Micra Owners Workshop Manual* Colin Brown, 1986 **The Autocar**, 1987

Nissan Micra Owner's Workshop Manual Anon, 2013 *Autocar & Motor*, 1990 *Nissan Micra Service & Repair Manual* M. R. Storey, A. K. Legg, 2013 This is one in a series of manuals for car or motorcycle owners Each book provides information on routine maintenance and servicing with tasks described and photographed in a step by step sequence so that even a novice can do the work *Automotive News*, 2006 **Nissan Micra Owners Workshop Manual** M. R. Storey, 2008 Hatchback K12 Series with petrol engines inc special limited editions Does NOT cover diesel models C C Coupe Convertible or facelifted range introduced October 2007 Petrol 1 0 litre 998cc 1 2 litre 1240cc 1 4 litre 1386cc Does NOT cover 1 6 litre petrol engines **Nissan Micra (K11 Series)** A. K. Legg, 1996 Models covered Nissan Micra Hatchback including automatic transmission N CVT models and special limited editions 1 0 litre 998cc and 1 3 litre 1275 cc petrol engines *Nissan Micra (93-99) Service & Repair Manual* Andrew K. Legg, 1999 *Nissan Micra Service and Repair Manual* A. K. Legg, 2005 Hatchback K11 Series including automatic transmission N CVT models and special limited editions Does NOT cover new Micra range introduced for 2003 model year Petrol 1 0 litre 998cc 1 3 litre 1275cc 1 4 litre 1348cc

Nissan Micra Automobile Nissan Jidōsha Kabushiki Kaisha, 1985 **2009 Nissan Altima OEM Owners Manual Compatible with OEM Owners Manual, Factory Glovebox Book** Helming, 2009-10-06 **HM Nissan Micra 1983 - Jan 1993** C. Brown, 1988-11 Hatchback K10 series inc special limited editions Does NOT cover K11 series with 16 valve engines introduced January 1993 Petrol 1 0 litre 988cc 1 2 litre 1235cc 8 valve **Nissan Cherry Owners Workshop Manual** A. K. Legg, 1987 **Nissan Owners Workshop Manual** Peter G. Strasman, 1986 **Nissan Owners Workshop Manual** P. G. Strasman, 1991 *Nissan Owners Workshop Manual* P. G. Strasman, John Harold Haynes, 1987 **2009 Toyota Sienna Owner Manual Compatible with OEM Owners Manual, Factory Glovebox Book** Helming, 2009-10-16

Thank you for reading **Nissan Micra Owners Manual 2009**. As you may know, people have look numerous times for their favorite novels like this Nissan Micra Owners Manual 2009, but end up in harmful downloads. Rather than reading a good book with a cup of tea in the afternoon, instead they cope with some infectious virus inside their computer.

Nissan Micra Owners Manual 2009 is available in our book collection an online access to it is set as public so you can get it instantly.

Our book servers saves in multiple countries, allowing you to get the most less latency time to download any of our books like this one.

Merely said, the Nissan Micra Owners Manual 2009 is universally compatible with any devices to read

<https://correiodobrasil.blogosfero.cc/data/book-search/fetch.php/Nln%20Fundamentals%20Study%20Guide.pdf>

Table of Contents Nissan Micra Owners Manual 2009

1. Understanding the eBook Nissan Micra Owners Manual 2009
 - The Rise of Digital Reading Nissan Micra Owners Manual 2009
 - Advantages of eBooks Over Traditional Books
2. Identifying Nissan Micra Owners Manual 2009
 - Exploring Different Genres
 - Considering Fiction vs. Non-Fiction
 - Determining Your Reading Goals
3. Choosing the Right eBook Platform
 - Popular eBook Platforms
 - Features to Look for in an Nissan Micra Owners Manual 2009
 - User-Friendly Interface
4. Exploring eBook Recommendations from Nissan Micra Owners Manual 2009
 - Personalized Recommendations

-
- Nissan Micra Owners Manual 2009 User Reviews and Ratings
 - Nissan Micra Owners Manual 2009 and Bestseller Lists
5. Accessing Nissan Micra Owners Manual 2009 Free and Paid eBooks
 - Nissan Micra Owners Manual 2009 Public Domain eBooks
 - Nissan Micra Owners Manual 2009 eBook Subscription Services
 - Nissan Micra Owners Manual 2009 Budget-Friendly Options
 6. Navigating Nissan Micra Owners Manual 2009 eBook Formats
 - ePub, PDF, MOBI, and More
 - Nissan Micra Owners Manual 2009 Compatibility with Devices
 - Nissan Micra Owners Manual 2009 Enhanced eBook Features
 7. Enhancing Your Reading Experience
 - Adjustable Fonts and Text Sizes of Nissan Micra Owners Manual 2009
 - Highlighting and Note-Taking Nissan Micra Owners Manual 2009
 - Interactive Elements Nissan Micra Owners Manual 2009
 8. Staying Engaged with Nissan Micra Owners Manual 2009
 - Joining Online Reading Communities
 - Participating in Virtual Book Clubs
 - Following Authors and Publishers Nissan Micra Owners Manual 2009
 9. Balancing eBooks and Physical Books Nissan Micra Owners Manual 2009
 - Benefits of a Digital Library
 - Creating a Diverse Reading Collection Nissan Micra Owners Manual 2009
 10. Overcoming Reading Challenges
 - Dealing with Digital Eye Strain
 - Minimizing Distractions
 - Managing Screen Time
 11. Cultivating a Reading Routine Nissan Micra Owners Manual 2009
 - Setting Reading Goals Nissan Micra Owners Manual 2009
 - Carving Out Dedicated Reading Time
 12. Sourcing Reliable Information of Nissan Micra Owners Manual 2009
 - Fact-Checking eBook Content of Nissan Micra Owners Manual 2009

-
- Distinguishing Credible Sources
13. Promoting Lifelong Learning
 - Utilizing eBooks for Skill Development
 - Exploring Educational eBooks
 14. Embracing eBook Trends
 - Integration of Multimedia Elements
 - Interactive and Gamified eBooks

Nissan Micra Owners Manual 2009 Introduction

Nissan Micra Owners Manual 2009 Offers over 60,000 free eBooks, including many classics that are in the public domain. Open Library: Provides access to over 1 million free eBooks, including classic literature and contemporary works. Nissan Micra Owners Manual 2009 Offers a vast collection of books, some of which are available for free as PDF downloads, particularly older books in the public domain. Nissan Micra Owners Manual 2009 : This website hosts a vast collection of scientific articles, books, and textbooks. While it operates in a legal gray area due to copyright issues, its a popular resource for finding various publications. Internet Archive for Nissan Micra Owners Manual 2009 : Has an extensive collection of digital content, including books, articles, videos, and more. It has a massive library of free downloadable books. Free-eBooks Nissan Micra Owners Manual 2009 Offers a diverse range of free eBooks across various genres. Nissan Micra Owners Manual 2009 Focuses mainly on educational books, textbooks, and business books. It offers free PDF downloads for educational purposes. Nissan Micra Owners Manual 2009 Provides a large selection of free eBooks in different genres, which are available for download in various formats, including PDF. Finding specific Nissan Micra Owners Manual 2009, especially related to Nissan Micra Owners Manual 2009, might be challenging as theyre often artistic creations rather than practical blueprints. However, you can explore the following steps to search for or create your own Online Searches: Look for websites, forums, or blogs dedicated to Nissan Micra Owners Manual 2009, Sometimes enthusiasts share their designs or concepts in PDF format. Books and Magazines Some Nissan Micra Owners Manual 2009 books or magazines might include. Look for these in online stores or libraries. Remember that while Nissan Micra Owners Manual 2009, sharing copyrighted material without permission is not legal. Always ensure youre either creating your own or obtaining them from legitimate sources that allow sharing and downloading. Library Check if your local library offers eBook lending services. Many libraries have digital catalogs where you can borrow Nissan Micra Owners Manual 2009 eBooks for free, including popular titles. Online Retailers: Websites like Amazon, Google Books, or Apple Books often sell eBooks. Sometimes, authors or publishers offer promotions or free periods for certain books. Authors Website Occasionally, authors provide excerpts or short

stories for free on their websites. While this might not be the Nissan Micra Owners Manual 2009 full book, it can give you a taste of the authors writing style. Subscription Services Platforms like Kindle Unlimited or Scribd offer subscription-based access to a wide range of Nissan Micra Owners Manual 2009 eBooks, including some popular titles.

FAQs About Nissan Micra Owners Manual 2009 Books

1. Where can I buy Nissan Micra Owners Manual 2009 books? Bookstores: Physical bookstores like Barnes & Noble, Waterstones, and independent local stores. Online Retailers: Amazon, Book Depository, and various online bookstores offer a wide range of books in physical and digital formats.
2. What are the different book formats available? Hardcover: Sturdy and durable, usually more expensive. Paperback: Cheaper, lighter, and more portable than hardcovers. E-books: Digital books available for e-readers like Kindle or software like Apple Books, Kindle, and Google Play Books.
3. How do I choose a Nissan Micra Owners Manual 2009 book to read? Genres: Consider the genre you enjoy (fiction, non-fiction, mystery, sci-fi, etc.). Recommendations: Ask friends, join book clubs, or explore online reviews and recommendations. Author: If you like a particular author, you might enjoy more of their work.
4. How do I take care of Nissan Micra Owners Manual 2009 books? Storage: Keep them away from direct sunlight and in a dry environment. Handling: Avoid folding pages, use bookmarks, and handle them with clean hands. Cleaning: Gently dust the covers and pages occasionally.
5. Can I borrow books without buying them? Public Libraries: Local libraries offer a wide range of books for borrowing. Book Swaps: Community book exchanges or online platforms where people exchange books.
6. How can I track my reading progress or manage my book collection? Book Tracking Apps: Goodreads, LibraryThing, and Book Catalogue are popular apps for tracking your reading progress and managing book collections. Spreadsheets: You can create your own spreadsheet to track books read, ratings, and other details.
7. What are Nissan Micra Owners Manual 2009 audiobooks, and where can I find them? Audiobooks: Audio recordings of books, perfect for listening while commuting or multitasking. Platforms: Audible, LibriVox, and Google Play Books offer a wide selection of audiobooks.
8. How do I support authors or the book industry? Buy Books: Purchase books from authors or independent bookstores. Reviews: Leave reviews on platforms like Goodreads or Amazon. Promotion: Share your favorite books on social media or recommend them to friends.

-
9. Are there book clubs or reading communities I can join? Local Clubs: Check for local book clubs in libraries or community centers. Online Communities: Platforms like Goodreads have virtual book clubs and discussion groups.
 10. Can I read Nissan Micra Owners Manual 2009 books for free? Public Domain Books: Many classic books are available for free as they're in the public domain. Free E-books: Some websites offer free e-books legally, like Project Gutenberg or Open Library.

Find Nissan Micra Owners Manual 2009 :

nln fundamentals study guide

nkba professional resource library 9 volume set
no lack of courage operation medusa afghanistan

nissan x trail workshop manual free

njatc codeology workbook answers

no bad dogs no bad dogs

nlp guide christopher howard

no groom at the inn a dukes behaving badly novella

~~nobody better better than nobody~~

nissan versa manual transmission for sale

noble cause a novel of love and war

nmfc shipping manual

nissan teana 2003 2008 service repair manual

nissan quest 2004 service repair manual

~~no limite de idade memórias da minha vida pública~~

Nissan Micra Owners Manual 2009 :

biodata format for marriage - Oct 25 2022

web feb 1 2021 biodata formatize for marriages for boy biodata format for marriage for female biodata speak format 1 page

biodata word output 2 page biodata word

download 120 biodata format for marriage in word pdf - Sep 04 2023

web here are some latest marriage biodata formats for both boys and girls which you can download in both pdf and word

web customised premium order english hindi download word docx file biodata word file docx is same as product image shown with hd resolution easily editable on computer

download marriage biodata format pdf word and images - Jan 16 2022

latest biodata format for marriage doc 7 free samples for - Apr 18 2022

download 20 free marriage biodata format word pdf - Feb 26 2023

web may 8 2023 download the latest biodata format for marriage doc word file download marriage biodata in word doc marriage biodata format boy royal blue

latest marriage biodata format boy free download 2022 milan - Feb 14 2022

free biodata templates for marriage and job format zety - Jun 01 2023

web aug 24 2023 free download marriage biodata format in word and pdf hindu muslim marathi tamil formats perfect biodata format for marriage for girls and boys

latest biodata format for marriage doc 7 free samples for - Aug 23 2022

web we provide two options 1st option download the word file of the marriage biodata format boy by paying a minimal charge easily edit on mobile and computer on a word or

marriage biodata template pdf templates jotform - Dec 27 2022

web fill the below marriage bio data form and you will be able to download the boy marriage biodata in pdf format within seconds if you have any queries mail us at

marriage biodata format download free biodata for marriage - Sep 23 2022

web sep 25 2021 latest biodata format for marriage in phrase doc 2 latest biodata format for marriage for boy s with spiritual symbols indu marriage biodata format

free download marriage biodata format biodata maker - Jul 02 2023

web a marriage biodata format for boy is a document that provides prospective partners and their families with an overview of the boy s personal professional family and contact

perfect biodata format for marriage for girls and boys download - Mar 18 2022

gajab exams sanjal dle - Mar 02 2023

web this class 8 social paper contains the course till the first third half of full course coz it s the practice test paper of second

terminal exam of class 8 enjoy the model question paper of dle social here is the preview of pdf format of social subject class 8 district level examination dle you can download the paper in pdf format too

dle model question papers for class 8 pdf static rooam - Aug 27 2022

web 2012 06 28 4 18 dle model question papers for class 8 solutions to learning elementary chemistry for class 8 2021 01 01 s chand s social sciences for class vi vii and viii is based on the syllabus framework outlined by ncert solutions to know your aptitude for

acces pdf dle model question papers for class 8 - Jun 24 2022

web title dle model question papers for class 8 author blogs post gazette com 2023 10 27t00 00 00 00 01 subject dle model question papers for class 8

dle model question papers for class 8 pdf db csda - Sep 27 2022

web dle model question papers for class 8 downloaded from db csda org by guest lynn williamson xam idea mathematics book class 10 cbse board chapterwise question bank 2022 23 exam nursing model question paper p 5 immunobiology of transfer factor compiles research papers presented at the fourth international transfer

class 8 science paper science dle model question district - Oct 29 2022

web this class 8 science paper contains the course till the first third half of full course coz it s the practice test paper of second terminal exam of class 8 enjoy the model question paper of dle science here is the preview of pdf format of science subject class 8 district level examination dle you can download the paper in pdf format too

class 8 nepali paper nepali dle model question district - Jul 06 2023

web model paper of nepali for class 8 dle incoming search terms class 8 dle question papers question paper of nepali district level examination question papers class 8 nepali click the button below to download the paper on pdf format for offline practice please share the post if it helps you

grade eight dle science questions l kaski dle science questions - May 04 2023

web feb 1 2017 grade eight dle science questions class eight ble english questions important dle nepali questions dle maths questions class 8 full marks 75 pass marks 30 subject science time 2 15 hours attempt all the questions a what is 1 kg mass differentiate mass and weight by any two points 1 2 3

download ebook dle model question papers for class 8 pdf file - Mar 22 2022

web apr 22 2023 sample question paper for the board examinations to be held in 2021 5 model test papers unsolved based on the latest reduced syllabus design of the question paper and the latest cbse sample question paper for the board examinations to be held in 2021 pgoyal brothers prakashan oswaal isc sample question papers

class 8 math paper math dle model question district level - Aug 07 2023

web this class 8 math paper contains the course till the first third half of full course coz it s the practice test paper of second terminal exam of class 8 enjoy the model question paper of dle math here is the preview of pdf format of math subject class 8 district level examination dle you can download the paper in pdf format too model paper

[one set grade 8 dle english questions gbsnote](#) - Apr 03 2023

web feb 4 2017 entrance guide work sheet grade 8 dle english questions by gbsnote staff february 4 2017 0 11093 it is the work sheet for grade 8 dle english questions this grade 8 dle english questions are prepared by 25 years experienced teacher beside grade 8 dle english questions you can find other subjects questions in the

dle model question papers for class 8 copy downloads youversion - Feb 01 2023

web oct 25 2023 introduction dle model question papers for class 8 pdf cbse class 8 study material notes videos syllabus papers and ncert books for class 8 free pdf click now byju s ncert solutions

class 8 model papers 2023 pdf 8th standard sample question papers - Feb 18 2022

web jun 16 2023 sample papers for class 8 maharashtra board 2024 pdf class 8 model paper for msbshse class 8 model papers 2023 are available here for download here you can get the 8th standard sample question papers pdf for all subjects these sample papers contain specimen questions from class 8 syllabus

[dle model question papers for class 8](#) - Dec 31 2022

web dle model question papers for class 8 is available in our digital library an online access to it is set as public so you can download it instantly our digital library saves in multiple locations allowing you to get the most less latency time to

class 8 computer paper computer dle model question - Sep 08 2023

web this class 8 computer paper contains the course till the first third half of full course coz it s the practice test paper of second terminal exam of class 8 enjoy the model question paper of dle computer here is the preview of pdf format of computer subject class 8 district level examination dle you can download the paper in pdf format too

[dle model question papers for class 8 pdf uniport edu](#) - Apr 22 2022

web dle model question papers for class 8 2 4 downloaded from uniport edu ng on april 11 2023 by guest lesson plans for daily life through history greenwood press westport conn 2006 brings history lessons to life with 50 document based lesson plans to accompany daily life through history

dle model question papers for class 8 vps huratips - Jul 26 2022

web class 8 science paper science dle model question class 8 math paper math dle model question district dle model question papers for class 8 class 9 english paper of class 9 english subject dle model question papers for class 8 moral paper moral science dle model question neet question paper 2020

class 8 dle model questions worksheets k12 workbook - Jun 05 2023

web class 8 dle model questions displaying all worksheets related to class 8 dle model questions worksheets are class 8 english q grade 8 mathematics practice test cell ebrate science without work question bank class 101 102 mathematics syllabus for class developing concepts and generalizations to build algebraic chapter applications

class 8 occupation paper occupation dle model question - Oct 09 2023

web this class 8 occupation paper contains the course till the first third half of full course coz it s the practice test paper of second terminal exam of class 8 enjoy the model question paper of dle occupation

gajab exams sanjal class 8 - Nov 29 2022

web this class 8 social paper contains the course till the first third half of full course coz it s the practice test paper of second terminal exam of class 8 enjoy the model question paper of dle social here is the preview of pdf format of social subject class 8 district level examination dle you can download the paper in pdf format too model

dle model question papers for class 8 freewebmasterhelp - May 24 2022

web just invest little times to right of entry this on line proclamation dle model question papers for class 8 as skillfully as evaluation them wherever you are now resources in education 1994 public papers of the presidents of the united states william j clinton 1995 bk 2 july 1 to december 31 1995 1997 04

cara menghitung kalori dengan gambar wikihow - Nov 12 2022

web apr 9 2023 tabel kalor jenis berbagai bahan merupakan sebuah tabel yang memuat informasi terkait jumlah kalori yang terkandung dalam sebuah bahan dengan

kalkulator kalori cara menghitung kebutuhan kalori harian - May 06 2022

daftar kalori makanan kantin sehat - Jul 20 2023

web lihat bahan bahan makanan rumahan secara terpisah kalau anda ingin tahu banyaknya kalori dalam seluruh makanan sebaiknya catat kalori per bahan secara individu

cara menghitung jumlah kalori makanan jumlahid - Feb 03 2022

tabel daftar kalori makanan dan minuman sehari - Aug 21 2023

web tabel kalori makanan masakan siap saji golongan a telur mata sapi 60 40 1 75 nama masakan berat gr kalori unit tempe bacem 50 157 2 tempe goreng 50

tabel kalori makanan sehari hari untuk diet dan jaga - Jul 08 2022

web lemak menghasilkan kalori paling banyak yaitu 9 kalori gram sedangkan karbohidrat dan protein mengandung 4 kalori setiap gramnya makanan yang mengandung banyak

daftar kalori makanan dan minuman anda sehari hari - Sep 10 2022

web jul 25 2019 tabel kalori makanan untuk menjadi acuan perhitungan kalori makanan yang kita konsumsi makanan pokok golongan a nama makanan berat gr kalori

3 cara menghitung kalori harian makanan halodoc - Oct 11 2022

web jul 26 2023 menentukan jumlah kalori pada makanan yang dikonsumsi metode menghitung jumlah kalori makanan melalui kandungan karbohidrat protein dan

daftar kalori makanan sehari hari bantu jaga berat badan yang - Aug 09 2022

web masuk sesuai dengan kebutuhan dengan terjaganya jumlah kalori yang masuk ke tubuh diharapkan pengguna dapat memiliki berat badan yang ideal terjaga kesehatannya dan

20 daftar makanan kalori tinggi terlengkap - Jan 14 2023

web klik hitung hasil perhitungan kebutuhan kalori anda akan muncul hasil perhitungan disesuaikan dengan semua informasi yang anda masukkan mulai dari jenis kelamin

daftar nilai kalori makanan sehari hari academia edu - Jun 07 2022

tabel kalori makanan dan minuman anda sehari hari - Sep 22 2023

web jumlah kalori dalam makanan ditentukan oleh kadar lemak karbohidrat dan protein pada makanan tersebut lemak menghasilkan kalori paling banyak yaitu 9 kalori gram sedangkan karbohidrat dan protein mengandung 4 kalori gram

kalkulator bmr dan kebutuhan kalori hello sehat - Apr 17 2023

web oct 13 2020 umumnya rata rata wanita membutuhkan sekitar 1 600 2 400 kilokalori kkal per hari sementara rata rata pria memerlukan 2 000 3000 kkal mengingat pentingnya

cara menghitung kalori makanan 11 langkah dengan gambar - Mar 16 2023

web jun 10 2023 besar kecilnya kalori yang ada di tabel kalori makanan sehari hari tergantung kandungan dalam makanan antara lain seperti lemak karbohidrat dan

jaga asupan kalori ini daftar kalori makanan sehari - Feb 15 2023

web tabel ini dapat membantu mengetahui kebutuhan kalori berdasarkan usia jenis kelamin makanan daftar kalori makanan dan minuman jumlah kalori makanan jumlah kal

cara menghitung kalori makanan yang benar sehatq - Apr 05 2022

bagaimana cara menghitung kalori makanan hello - May 18 2023

web feb 17 2017 lemak menghasilkan kalori paling banyak yaitu 9 kalori gram sedangkan karbohidrat dan protein

mengandung 4 kalori setiap gramnya makanan yang

tabel kalori berbagai makanan rumushitung com - Jun 19 2023

web oct 21 2021 artikel 3 cara menghitung kalori harian makanan diet dan nutrisi 4 menit ditinjau oleh dr fadhli rizal

makarim 21 oktober 2021 kebutuhan kalori harian setiap

daftar kalori makanan sehari hari untuk diet jaga - Dec 13 2022

web apr 5 2023 cara menghitung kalori makanan adalah dengan menghitung zat gizi makro seperti protein karbohidrat dan lemak dalam 1 gram protein dan karbohidrat

aplikasi penghitung kebutuhan kalori harian dan - Dec 01 2021

tabel kalor jenis berbagai bahan jenis id - Mar 04 2022

tabel kalori makanan asia fitness today - Oct 31 2021

pdf tabel kalori makanan dokumen tips - Jan 02 2022