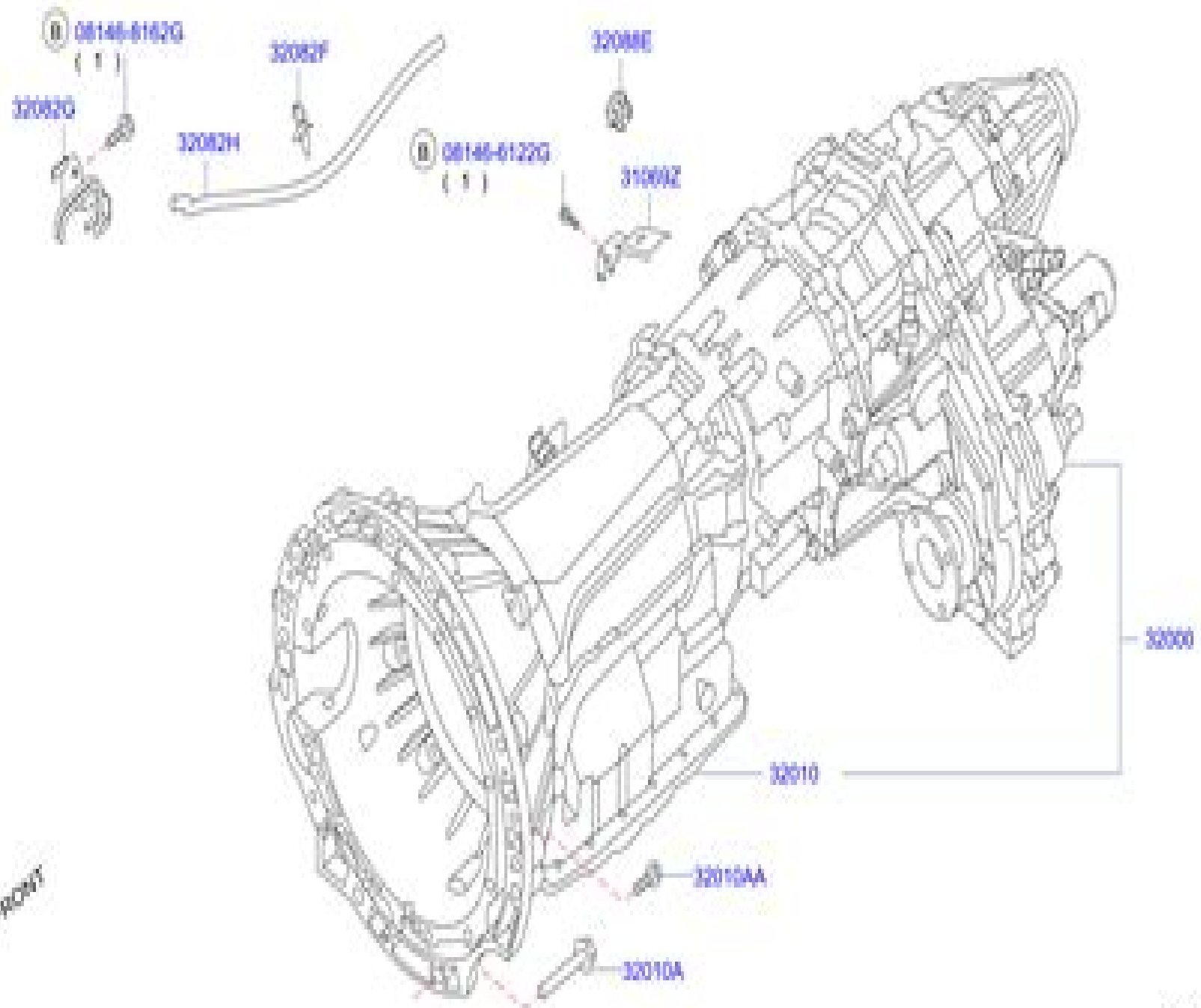


FRONT



Nissan Manual Transmission Specs

**Mitchell International,
Inc, Mitchell, Mitchell Information
Services**

Nissan Manual Transmission Specs:

Nissan Owners Workshop Manual P. G. Strasman, John Harold Haynes, 1988 LS Swaps Jefferson Bryant, 2014-04-10 Introduced in 1997 the GM LS engine has become the dominant V 8 engine in GM vehicles and a top selling high performance crate engine GM has released a wide range of Gen III and IV LS engines that deliver spectacular efficiency and performance These compact lightweight cutting edge pushrod V 8 engines have become affordable and readily obtainable from a variety of sources In the process the LS engine has become the most popular V 8 engine to swap into many American and foreign muscle cars sports cars trucks and passenger cars To select the best engine for an LS engine swap you need to carefully consider the application Veteran author and LS engine swap master Jefferson Bryant reveals all the criteria to consider when choosing an LS engine for a swap project You are guided through selecting or fabricating motor mounts for the project Positioning the LS engine in the engine compartment and packaging its equipment is a crucial part of the swap process which is comprehensively covered As part of the installation you need to choose a transmission crossmember that fits the engine and vehicle as well as selecting an oil pan that has the correct profile for the crossmember with adequate ground clearance Often the brake booster steering shaft accessory pulleys and the exhaust system present clearance challenges so this book offers you the best options and solutions In addition adapting the computer control system to the wiring harness and vehicle is a crucial aspect for completing the installation which is thoroughly detailed As an all new edition of the original top selling title LS Swaps How to Swap GM LS Engines into Almost Anything covers the right way to do a spectrum of swaps So pick up this guide select your ride and get started on your next exciting project **AAM/AIAM Specifications - Passenger Car; Mercury Villager. 2001 ,2001 AAM/AIAM Specifications - Passenger Car; Mercury Villager. 2000 ,1999 *How To Rebuild and Modify Your Manual Transmission* Robert Bowen, This resource explains how to rebuild and modify transmissions from both rear and front wheel drive cars It explains the principles behind the workings of all manual transmissions and helps readers understand what they need to do and know to rebuild their own transmissions Includes how to determine what parts to replace how and why to replace certain seals spacers springs forks and other parts and where to find and how to measure the specifications for each particular transmission Popular Mechanics ,1983-11 Popular Mechanics inspires instructs and influences readers to help them master the modern world Whether it s practical DIY home improvement tips gadgets and digital technology information on the newest cars or the latest breakthroughs in science PM is the ultimate guide to our high tech lifestyle **How to Rebuild and Modify High-Performance Manual Transmissions** Paul Cangialosi, 2010 *How to Rebuild and Modify High Performance Manual Transmissions* breaks down the disassembly inspection modification upgrade and rebuilding process into detailed yet easy to follow steps consistent with our other Workbench series books The latest techniques and insider tips are revealed so an enthusiast can quickly perform a tear down identify worn parts select the best components and successfully assemble a high performance transmission**

Transmission expert and designer Paul Cangialosi shares his proven rebuilding methods insight and 27 years of knowledge in the transmission industry He guides you through the rebuilding process for most major high performance transmissions including BorgWarner T10 and super T10 GM Muncie Ford Toploader and Tremec T5 This new edition also contains a complete step by step rebuild of the Chrysler A833 transmission **Manual Transmissions and Drivetrains J. Kovacic**,1984-04 AAMA Specifications Form - Passenger Car; Mercury Villager. 1997 ,1996 **Chilton's Import Car Manual** ,1991 AAMA Specifications Form - Passenger Car; Mercury Villager. 1998 ,1997 Cars Consumer Guide 1988 Consumer Guide,Consumer Guide Editors,1988 The experts at Consumer Guide help consumers get the facts they need with the guide that profiles and reviews over 100 cars and compact vans for the new model year Exclusive discount price lists and low prices help consumers negotiate with salesmen Lemon-Aid New and Used Cars and Trucks 2007-2018 Phil Edmonston,2018-02-03 Steers buyers through the the confusion and anxiety of new and used vehicle purchases like no other car and truck book on the market Dr Phil along with George Iny and the Editors of the Automobile Protection Association pull no punches **Chilton's Import Auto Service Manual** ,2000 Contains general information for technicians on the specifications MIL resetting and DTC retrieval accessory drive belts timing belts brakes oxygen sensors electric cooling fans and heater cores of twenty one types of import cars *Kiplinger's Personal Finance* ,1983-12 The most trustworthy source of information available today on savings and investments taxes money management home ownership and many other personal finance topics *Transmission Service and Repair* Mitchell International, Inc,Mitchell,Mitchell Information Services,1980 Automobile Book 1998 Consumer Guide,Consumer Guide Editors,1998-01-19 Whether you re interested in passenger cars sport utility vehicles trucks or minivans all are discussed in this invaluable guide to the new 1998 vehicles Over 165 cars trucks and vans are reviewed and rated in every important category from price to handling to options Don t make an uninformed decision get the guide that takes the hassle out of car buying **Mitchell Transmission Service & Repair** Mitchell,Mitchell Information Services,1986 *Popular Science* ,1983-02 Popular Science gives our readers the information and tools to improve their technology and their world The core belief that Popular Science and our readers share The future is going to be better and science and technology are the driving forces that will help make it better *Popular Mechanics* ,1986-11 Popular Mechanics inspires instructs and influences readers to help them master the modern world Whether it s practical DIY home improvement tips gadgets and digital technology information on the newest cars or the latest breakthroughs in science PM is the ultimate guide to our high tech lifestyle

Fuel your quest for knowledge with is thought-provoking masterpiece, **Nissan Manual Transmission Specs** . This educational ebook, conveniently sized in PDF (PDF Size: *), is a gateway to personal growth and intellectual stimulation. Immerse yourself in the enriching content curated to cater to every eager mind. Download now and embark on a learning journey that promises to expand your horizons. .

<https://correiodobrasil.blogosfero.cc/data/publication/index.jsp/Nice%20Book%20Relapse%20Paradise%20Roxanne%20Smith.pdf>

Table of Contents Nissan Manual Transmission Specs

1. Understanding the eBook Nissan Manual Transmission Specs
 - The Rise of Digital Reading Nissan Manual Transmission Specs
 - Advantages of eBooks Over Traditional Books
2. Identifying Nissan Manual Transmission Specs
 - Exploring Different Genres
 - Considering Fiction vs. Non-Fiction
 - Determining Your Reading Goals
3. Choosing the Right eBook Platform
 - Popular eBook Platforms
 - Features to Look for in an Nissan Manual Transmission Specs
 - User-Friendly Interface
4. Exploring eBook Recommendations from Nissan Manual Transmission Specs
 - Personalized Recommendations
 - Nissan Manual Transmission Specs User Reviews and Ratings
 - Nissan Manual Transmission Specs and Bestseller Lists
5. Accessing Nissan Manual Transmission Specs Free and Paid eBooks
 - Nissan Manual Transmission Specs Public Domain eBooks
 - Nissan Manual Transmission Specs eBook Subscription Services

- Nissan Manual Transmission Specs Budget-Friendly Options
- 6. Navigating Nissan Manual Transmission Specs eBook Formats
 - ePub, PDF, MOBI, and More
 - Nissan Manual Transmission Specs Compatibility with Devices
 - Nissan Manual Transmission Specs Enhanced eBook Features
- 7. Enhancing Your Reading Experience
 - Adjustable Fonts and Text Sizes of Nissan Manual Transmission Specs
 - Highlighting and Note-Taking Nissan Manual Transmission Specs
 - Interactive Elements Nissan Manual Transmission Specs
- 8. Staying Engaged with Nissan Manual Transmission Specs
 - Joining Online Reading Communities
 - Participating in Virtual Book Clubs
 - Following Authors and Publishers Nissan Manual Transmission Specs
- 9. Balancing eBooks and Physical Books Nissan Manual Transmission Specs
 - Benefits of a Digital Library
 - Creating a Diverse Reading Collection Nissan Manual Transmission Specs
- 10. Overcoming Reading Challenges
 - Dealing with Digital Eye Strain
 - Minimizing Distractions
 - Managing Screen Time
- 11. Cultivating a Reading Routine Nissan Manual Transmission Specs
 - Setting Reading Goals Nissan Manual Transmission Specs
 - Carving Out Dedicated Reading Time
- 12. Sourcing Reliable Information of Nissan Manual Transmission Specs
 - Fact-Checking eBook Content of Nissan Manual Transmission Specs
 - Distinguishing Credible Sources
- 13. Promoting Lifelong Learning
 - Utilizing eBooks for Skill Development
 - Exploring Educational eBooks
- 14. Embracing eBook Trends

- Integration of Multimedia Elements
- Interactive and Gamified eBooks

Nissan Manual Transmission Specs Introduction

In the digital age, access to information has become easier than ever before. The ability to download Nissan Manual Transmission Specs has revolutionized the way we consume written content. Whether you are a student looking for course material, an avid reader searching for your next favorite book, or a professional seeking research papers, the option to download Nissan Manual Transmission Specs has opened up a world of possibilities. Downloading Nissan Manual Transmission Specs provides numerous advantages over physical copies of books and documents. Firstly, it is incredibly convenient. Gone are the days of carrying around heavy textbooks or bulky folders filled with papers. With the click of a button, you can gain immediate access to valuable resources on any device. This convenience allows for efficient studying, researching, and reading on the go. Moreover, the cost-effective nature of downloading Nissan Manual Transmission Specs has democratized knowledge. Traditional books and academic journals can be expensive, making it difficult for individuals with limited financial resources to access information. By offering free PDF downloads, publishers and authors are enabling a wider audience to benefit from their work. This inclusivity promotes equal opportunities for learning and personal growth. There are numerous websites and platforms where individuals can download Nissan Manual Transmission Specs. These websites range from academic databases offering research papers and journals to online libraries with an expansive collection of books from various genres. Many authors and publishers also upload their work to specific websites, granting readers access to their content without any charge. These platforms not only provide access to existing literature but also serve as an excellent platform for undiscovered authors to share their work with the world. However, it is essential to be cautious while downloading Nissan Manual Transmission Specs. Some websites may offer pirated or illegally obtained copies of copyrighted material. Engaging in such activities not only violates copyright laws but also undermines the efforts of authors, publishers, and researchers. To ensure ethical downloading, it is advisable to utilize reputable websites that prioritize the legal distribution of content. When downloading Nissan Manual Transmission Specs, users should also consider the potential security risks associated with online platforms. Malicious actors may exploit vulnerabilities in unprotected websites to distribute malware or steal personal information. To protect themselves, individuals should ensure their devices have reliable antivirus software installed and validate the legitimacy of the websites they are downloading from. In conclusion, the ability to download Nissan Manual Transmission Specs has transformed the way we access information. With the convenience, cost-effectiveness, and accessibility it offers, free PDF downloads have become a popular choice for students, researchers, and book lovers worldwide. However, it is crucial to engage in ethical downloading practices and

prioritize personal security when utilizing online platforms. By doing so, individuals can make the most of the vast array of free PDF resources available and embark on a journey of continuous learning and intellectual growth.

FAQs About Nissan Manual Transmission Specs Books

How do I know which eBook platform is the best for me? Finding the best eBook platform depends on your reading preferences and device compatibility. Research different platforms, read user reviews, and explore their features before making a choice. Are free eBooks of good quality? Yes, many reputable platforms offer high-quality free eBooks, including classics and public domain works. However, make sure to verify the source to ensure the eBook credibility. Can I read eBooks without an eReader? Absolutely! Most eBook platforms offer web-based readers or mobile apps that allow you to read eBooks on your computer, tablet, or smartphone. How do I avoid digital eye strain while reading eBooks? To prevent digital eye strain, take regular breaks, adjust the font size and background color, and ensure proper lighting while reading eBooks. What the advantage of interactive eBooks? Interactive eBooks incorporate multimedia elements, quizzes, and activities, enhancing the reader engagement and providing a more immersive learning experience. Nissan Manual Transmission Specs is one of the best book in our library for free trial. We provide copy of Nissan Manual Transmission Specs in digital format, so the resources that you find are reliable. There are also many Ebooks of related with Nissan Manual Transmission Specs. Where to download Nissan Manual Transmission Specs online for free? Are you looking for Nissan Manual Transmission Specs PDF? This is definitely going to save you time and cash in something you should think about.

Find Nissan Manual Transmission Specs :

~~nice book relapse paradise roxanne smith~~

~~nfsi study guide with practice exam~~

~~new york times review of books~~

~~next generation java testing~~

~~new world order the ancient plan of secret societies~~

nice book blue jays backyard birds amstutz

~~nfhs exam answers~~

~~nhtsa dui sfst manual~~

~~new york state correction officer exam review guide~~

next stop grand central

nice book empty bed paul thomas

nice book icky ricky backpack aquarium stepping

nexus solutions inc

nice book parenting adopted teenagers advice adolescent

new studies of old villains a radical reconsideration of the oedipus complex

Nissan Manual Transmission Specs :

nys grades 3 8 science learning standards new york state - May 12 2023

the assessment in science asks students to demonstrate scientific knowledge and to apply scientific concepts formulate hypotheses make predictions or use other scientific inquiry techniques the 2024 grades five and see more

nyc doe grade 8 science mosl sample pdf uniport edu - Dec 07 2022

web grade 8 science v202 8 base your answers to questions 30 through 32 on the world map below and on your knowledge of science the darkly shaded areas of the map

nyc doe grade 8 science mosl sample ftp popcake - Jan 08 2023

web grades 3 8 ela and mathematics score report and understanding report samples 2023 grades 3 8 sample student score reports science grades 3 8 science learning

nyc doe grade 8 science mosl sample secure4 khronos - Jun 01 2022

web nyc doe grade 8 science mosl sample recognizing the way ways to acquire this books nyc doe grade 8 science mosl sample is additionally useful you have remained in

8th grade science sample test questions broken arrow public - Mar 30 2022

web nyc doe grade 8 science mosl sample but stop going on in harmful downloads rather than enjoying a fine book behind a mug of coffee in the afternoon then again they

nyc doe grade 8 science mosl sample enterpriseandardmedia - Oct 05 2022

web nyc doe grade 8 science mosl sample 1 downloaded from nysm pfi org on 2022 10 14 by guest nyc doe grade 8 science mosl sample this is likewise one of the factors by

nyc doe grade 8 science mosl sample jacques ellul 2023 - Feb 09 2023

web jul 25 2023 for example a raw score of 35 on the performance test and a raw score of 65 on the written test result in a final test score of 80 conversion chart page 1 18 kb

new york city public schools - Sep 23 2021

web sep 15 2023 ny state science test we surveyed hundreds of families and due to overwhelming support we will continue to enable doe 8th graders to take the shsat

nyc doe grade 8 science mosl sample james anderson pdf - Aug 03 2022

web may 16 2023 nyc doe grade 8 science mosl sample 2 7 downloaded from uniport edu ng on may 16 2023 by guest including information on basic machine tools

the university of the state of new york - Apr 11 2023

the number of correct answers a student gives on a test is converted into the student s scale score scale scores are divided into four performance levels test results on individual student reports isrs are available see more

[nyc doe grade 8 science mosl sample pdf uniport edu](#) - Sep 04 2022

web nyc doe grade 8 science mosl sample the framework for teaching evaluation instrument 2013 edition grading for equity seeing students learn science creating

mosl measures of student learning pbworks - Jul 14 2023

schools will select two consecutive administration dates within the main administration window may 15 17 see more

8th grade science laurel hill school - Jul 02 2022

web nyc doe grade 8 science mosl sample the living environment prentice hall br science mathematics and science in the eighth grade handbook of research on science

nyc doe grade 8 science mosl sample orientation sutd edu sg - Apr 30 2022

web feb 25 2023 this online pronouncement nyc doe grade 8 science mosl sample can be one of the options to accompany you once having other time it will not waste your time

nyc doe grade 8 science mosl sample pdf ftp popcake - Nov 06 2022

web new york state learning standards and core curriculum 8th grade science activities printable eighth grade science worksheets study guides and vocabulary sets

[nyc doe grade 8 science mosl sample download only](#) - Feb 26 2022

web lhs students start their study of earth science mid year in 7th grade with an introduction to earth science minerals rocks and resources they then explore the earth s surface

nyc doe grade 8 science mosl sample gilles châtelet pdf - Oct 25 2021

web it will certainly ease you to see guide nyc doe grade 8 science mosl sample as you such as by searching the title publisher or authors of guide you really want you can discover

8th grade science new york state learning standards - Mar 10 2023

web 6 7th grade science assessment s 8th grade science test target population grade measurement growth assessment s nyc

science performance assessment target

grade 8 intermediate level science test intermediate osa nysed - Jun 13 2023

exams are scored in school by licensed teachers schools are given guidance that no teacher should score their own students exams see more

ny state science test new york city public schools - Aug 15 2023

in school year 2023 24 students in grades five and eight will take the state assessment in science to determine how well they have learned the new york state learning standards students in grade seven who have completed all of the material in the intermediate level science core curriculum and who are see more

high school - Jan 28 2022

web jun 12 2023 retrieve handbook nyc doe grade 8 science mosl sample get the nyc doe grade 8 science mosl sample join that we have the capital for here and check out the

github istanbuljs nyc the istanbul command line interface - Dec 27 2021

web 6th grade nyc science mosl pdf download occupynewark org april 30th 2018 ck 12 middle school math grade 6 volume 1 of 2 diary of a 6th grade nyc doe grade 6 mosl

user login - Nov 25 2021

web 8th grade science sample test questions objective numbers correspond to the state priority academic student skills pass standards and objectives this number is also

dmv vision test chart california pursued a true story of crime - Apr 05 2022

web dec 13 2022 dmv vision test chart california pursued a true story of crime an eye chart is a diagram which eye care professionals utilize to measure visual acuity visual acuity is a measure of the quality of vision and is expressed as a percentage

how beat the eye test at the dmv what to expect and pass - Dec 13 2022

web sep 15 2023 print out our eye chart and use its instructions to test your vision at home you should then be able to pass the dmv vision exam if you can read the 20 40 row or below and have acceptable peripheral vision

dmv vision test what to expect sample eye chart what is - May 06 2022

web jan 10 2020 tests their vision before they depart to the dmv with their free printable eye chart if you have difficulty read the eye chart you might be requested to complete additional distance vision experiments on a review machine some states also requires you to complete a visual field test which is used to check for peripheral side vision loss

dmv eye test chart printable worksheets adamprintables com - Jan 02 2022

web may 31 2021 get dmv eye test chart eye chart wikiwand in summary dmv eye test chart is a commonly used tool in

optometry and ophthalmology to determine an individual's visual acuity and printable variations can be found online they are a easy and practical way for people to evaluate their own vision in your home and for eye care experts to

dmv vision test what to expect sample eye chart all about vision - Aug 21 2023

web jan 10 2020 test your vision before you go to the dmv with our free printable eye chart if you have difficulty reading the eye chart you may be asked to complete additional distance vision tests on a testing machine some states also require you to complete a visual field test which is used to check for peripheral side vision loss

printable eye chart dmv ca eye chart printable - May 18 2023

web dec 21 2022 printable eye chart dmv ca eye charts are a diagram utilized by professionals working in the field of eye care to assess visual acuity visual acuity is described as fractions it is a measure of the clarity of your vision

california dmv eye chart form signnow - Feb 15 2023

web how it works upload the ca dmv eye chart printable edit sign ca dmv vision test chart from anywhere save your changes and share ca dmv eye chart rate the ca dmv eye chart 2019 4 7 satisfied 78 votes what makes the ca

2016 2023 form ca dl 62fill online printable fillable blank - Sep 29 2021

web how to fill out dmv dl report 01 obtain the necessary forms from your local dmv office or their website 02 fill out personal information such as your name address and contact information accurately 03 provide details about your driving history such as any previous traffic violations or accidents 04

report of vision examination dl 62 california dmv - Oct 11 2022

web 2 visual acuity complete clinical measurement section lenses include contact lenses or glasses 3 diagnosis please indicate vision condition by checking the box es representing affected eye s if the diagnosed condition is not listed write the diagnosis under other diagnosis comments below

[printable eye chart for vision test california](#) - Feb 03 2022

web printable eye chart for vision test california printable eye chart for vision test california eye charts are an instrument used by eye care professionals to gauge visual acuity visual acuity is a measure of the clarity of vision and is measured as a percentage

ca dmv eye exam chart doctorvisit - Mar 16 2023

web here are a number of highest rated california dmv eye test chart printable pictures on internet this test will give you the date of your death if you keep living the same way as you do some people will also need to pass an eye test to renew their licenses

ca dmv eye test list exams - Jun 07 2022

web printable ca dmv eye chart the dmv needs to be sure that all drivers meet the minimum vision standards all original or

renewal driver license customers must take a vision test

[california dmv eye chart printable realtec](#) - Oct 31 2021

web find and download california dmv eye chart printable image wallpaper and background for your iphone android or pc desktop realtec have about 18 image published on this page

[printable california dmv eye chart printable worksheets](#) - Mar 04 2022

web apr 24 2021 printable california dmv eye chart is a widely used tool in optometry and ophthalmology to measure a person s visual acuity the most typical kind of eye chart is the snellen chart which includes letters arranged in rows of decreasing size

eye test 3 free eye charts to download and print at home - Apr 17 2023

web feb 27 2019 the three most common eye charts are snellen eye chart tumbling e eye chart jaeger eye chart we ve included a link to download your very own eye chart after each section below you can print these charts and test your vision right in

[california dmv eye chart 2023 printable worksheets](#) - Jul 20 2023

web apr 30 2021 in summary california dmv eye chart 2023 is a commonly utilized tool in optometry and ophthalmology to determine a person s visual acuity and printable variations can be found online they are a practical and easy way for people to evaluate their own vision in the house and for eye care specialists to measure visual acuity during a patient

[california dmv eye chart 2022 fill online printable fillable](#) - Jun 19 2023

web the california dmv eye chart is a chart used by the california department of motor vehicles dmv to test a person s vision as part of the driver s license application process the chart consists of 11 lines of capital letters with

[printable eye chart dmv eye chart printable](#) - Sep 10 2022

web printable eye chart dmv an eye chart can be used by eye professionals to measure visual clarity visual acuity which is a measure for the clarity of the vision is measured in fractions

[vision impairment and dmv requirements california dmv](#) - Aug 09 2022

web dmv uses snellen wall charts to screen driver s license applicants for a far visual acuity of no worse than 20 40 in snellen notation impaired visual acuity makes it harder to discriminate the fine differences that distinguish one letter from another

get california dmv eye chart 2020 us legal forms - Nov 12 2022

web california dmv eye chart 2020 fill and sign printable template online complete california dmv eye chart 2020 online with us legal forms easily fill out pdf blank edit and sign them save or instantly send your ready documents

california dmv vision test chart printable worksheets - Jan 14 2023

web jul 13 2021 get california dmv vision test chart california dmv vision requirements dl vision in summary california dmv

vision test chart is a commonly used tool in optometry and ophthalmology to determine a person's visual acuity and printable variations can be found online they are a easy and convenient method for people to test their own

california dmv eye chart 2020 form fill download for free - Jul 08 2022

web follow these steps to get your california dmv eye chart 2020 form edited for the perfect workflow select the get form button on this page you will enter into our pdf editor edit your file with our easy to use features like highlighting blackout and other tools in

free eye chart download print test vision source - Dec 01 2021

web patients free eye chart download print and test searching for a free eye chart to check your vision at home simply click on the image to the right and your download will begin you can use this eye chart to check your entire family's vision remember this is not a substitute for a complete medical eye exam by a licensed optometrist

radicals calculator symbolab - Nov 27 2022

web free radicals calculator simplify radical expressions using algebraic rules step by step

simplifying radicals mathhelp com math help youtube - Jun 22 2022

web oct 22 2007 for a complete lesson on simplifying radicals go to mathhelp com 1000 online math lessons featuring a personal math teacher inside every less

math geek simplifying radicals key 2022 - Mar 20 2022

web math geek simplifying radicals key 3 3 designed to help you become familiar with the passages found on your test as well as the typical questions that you will be asked to answer in this workbook test takers get immediate focused practice on preparing for and answering questions based on critical reading passages the skill builder in focus

7 1 roots and radicals mathematics libretexts - Sep 25 2022

web mar 28 2021 the product of an odd number of positive factors is positive and the product of an odd number of negative factors is negative hence when the index n is odd there is only one real n th root for any real number a and we have the following property n an a when n is odd example $7^1 = 9$ simplify $5^{10} = 5^5 \cdot 5^5 = 32$

simplifying radicals read algebra ck 12 foundation - Feb 16 2022

web feb 24 2012 some key points to remember one way to simplify a radical is to factor out the perfect squares see example a when adding radicals you can only combine radicals with the same number underneath it for example $2\sqrt{5} + 3\sqrt{6}$ cannot be combined because 5 and 6 are not the same number see example b to multiply two radicals

simplifying radicals step by step math problem solver quickmath - Aug 25 2022

web simplifying radicals radicals were introduced in previous tutorial when we discussed real numbers for example $2\sqrt{5}$ and $2\sqrt{14}$ $2\sqrt{135}$ an infinite nonrepeating decimal we are now interested in developing techniques that will aid in simplifying

radicals and expressions that contain radicals

5 2 simplifying radical expressions mathematics libretxts - Oct 07 2023

web oct 6 2021 answer $2yz^5 x^3y$ tip to simplify finding an n th root divide the powers by the index $a^6 a^3$ which is $a^6 \cdot 2 a^3 \cdot 3$
 $b^6 b^2$ which is $b^6 \cdot 3 b^2 \cdot 6 c^6 c$ which is $c^6 \cdot 6 c^1$ if the index does not divide into the power evenly then we can use the quotient and remainder to simplify

simplifying radicals youtube - Aug 05 2023

web jan 25 2018 this algebra video tutorial explains how to simplify radicals with variables and exponents these include square roots and cube roots with positive and nega

[simplify radical expressions calculator](#) - Jan 30 2023

web aug 17 2023 calculator use this online calculator will calculate the simplified radical expression of entered values it will show the work by separating out multiples of the radicand that have integer roots further the calculator will show the solution for simplifying the radical by prime factorization

6 2 simplify radical expressions mathematics libretxts - May 02 2023

web aug 12 2022 a radical expression a is considered simplified if it has no factors of the form m^2 so to simplify a radical expression we look for any factors in the radicand that are squares definition 6 2 1 for non negative integers a and m a is considered simplified if a has no factors of the form m^2 for example 5 is considered

[mathgeeksimplifyingradicalskey lisansustu altinbas edu](#) - Sep 06 2023

web mathgeeksimplifyingradicalskey 1 mathgeeksimplifyingradicalskey mathgeeksimplifyingradicalskey downloaded from lisansustu altinbas edu tr by guest

simplifying radicals calculator free online calculator byju s - Jul 24 2022

web the procedure to use the simplifying radicals calculator is as follows step 1 enter the index and radicand in the respective input field step 2 now click the button solve to get the simplification step 3 finally the simplification of the given radical number will be displayed in the output field

simplifying radicals puzzle math love - May 22 2022

web sep 15 2016 the simplifying radicals square puzzle or tarsia puzzle can be found online here image source students cut out the pieces worked out the problem on each edge in their notebook and assembled the pieces to make a 4×4 square i often give students a copy of this printable factors chart to use as a reference when simplifying

math geek simplifying radicals key - Apr 20 2022

web math geek simplifying radicals key this is likewise one of the factors by obtaining the soft documents of this math geek simplifying radicals key by online you might not require more grow old to spend to go to the book initiation as with ease as

search for them in some cases you likewise get not

6 1 simplify radical expressions mathematics libretxts - Feb 28 2023

web sep 15 2021 simplifying radicals use as often as possible the property $a^n \cdot a^m = a^{n+m}$ to simplify radicals factor into chunks where powers equal the index n then set those numbers or variable free from the radical again you may assume in all problems that variables represent positive real numbers example $6 \sqrt{13}$

simplifying radicals a complete course in algebra themathpage - Apr 01 2023

web a radical is also in simplest form when the radicand is not a fraction example $\sqrt{13}$ for example has no square factors its factors are $3 \cdot 11$ neither of which is a square number therefore is in its simplest form example 2 extracting the square root 18 has the square factor $9 \sqrt{18} = 9 \sqrt{2}$

simplifying radical expressions examples definition - Oct 27 2022

web we will simplify this radical expression into the simplest form until no further simplification can be done step 1 find the factors of the number under the radical $486 = 3 \cdot 3 \cdot 3 \cdot 3 \cdot 2$ step 2 write the number under the radical as a product of its factors as powers of 2 $486 = 3^2 \cdot 3^2 \cdot 3^2$

8 2 simplify radical expressions intermediate algebra 2e - Dec 29 2022

web simplify a radical expression using the product property step 1 find the largest factor in the radicand that is a perfect power of the index rewrite the radicand as a product of two factors using that factor step 2 use the product rule to rewrite the radical as the product of two radicals step 3

simplifying radicals definition examples vaia studysmarter - Jun 03 2023

web simplifying radicals key takeaways a radical is a mathematical expression containing a root in the form x^n simplifying radicals means rewriting them in the most simple and fundamental possible way radicals can be simplified using the product or

simplifying radical expressions addition algebra video khan academy - Jul 04 2023

web abouttranscript a worked example of simplifying an expression that is a sum of several radicals in this example we simplify $2x^2 + 4 + 8 + 3 + 2x^2 + 8$ created by sal khan and monterey institute for technology and education