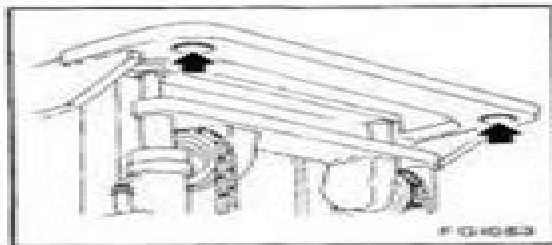


LIFTING POINTS

FRONT SIDE

1. Place chocks behind rear wheels.
2. Lift outer mast with a hoist.

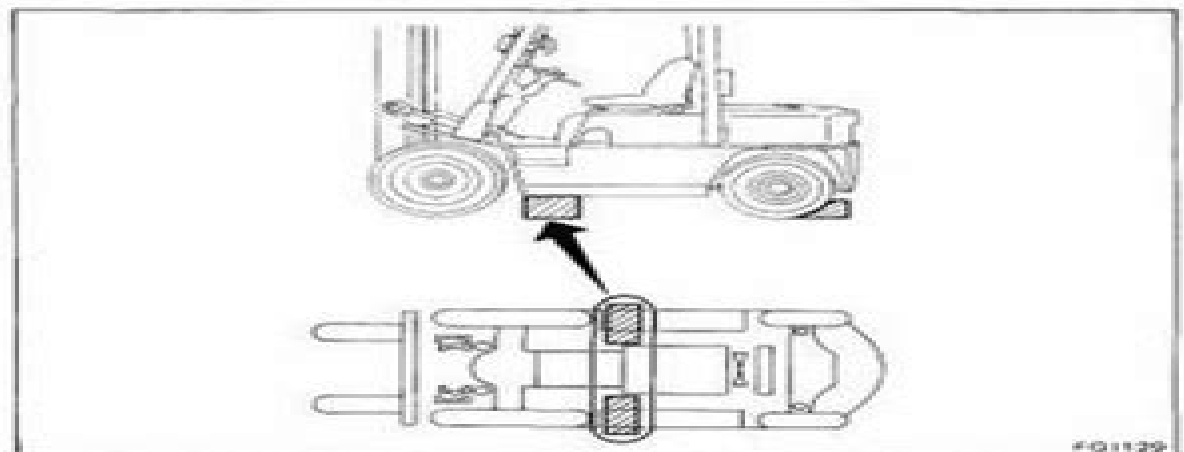


3. Place wooden blocks under both side frames. Gradually lower front end to ground. Be careful not to dislocate blocks while lowering.



WARNING:

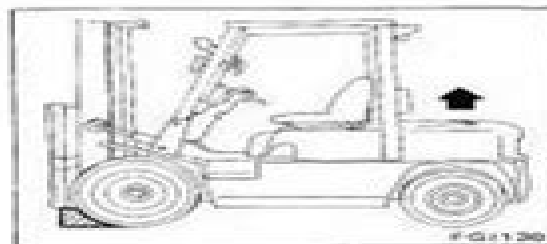
- a. Use the same size wooden blocks on both sides of the lift truck. Wooden blocks should be one-piece and strong enough to support the weight of the lift truck.
- b. Do not use a supporting block higher than 300 mm (11.81 in).
- c. Raise the lift truck just high enough to place the supporting block under the lift truck.
- d. Never put your feet or hands under the lift truck while lifting or lowering it.
- e. After supporting lift truck with blocks, swing it back and forth and left and right to see if it is safe.



REAR SIDE

1. Place chocks in front of front wheels.
2. Lift counterweight with a hoist.

3. Place wooden block under counterweight. Gradually lower rear end to ground. Be careful not to dislocate blocks while lowering.



Nissan 30 Forklift Service Manual

L Cohen



Nissan 30 Forklift Service Manual:

The Forklift Manual John L. Ryan,L. D. Ryan,2006 **Beverage Industry Annual Manual** ,1991 *Moody's International Manual* ,2000 **Mergent International Manual** ,2003 Braby's Cape Province Directory ,1987
Practical Winery/vineyard ,2008 **1998 Directory of California Wholesalers and Service Companies** ,1998
Building Material Retailer ,1988 Labor Relations Reference Manual ,2005 Vols 9 17 include decisions of the War Labor Board *California Manufacturers Register* ,1998 **Traffic World** ,1985 **Purchasing** , *Hoover's Handbook of World Business* ,2011 Nissan Model R 30 Series: Service manual Nissan Motor Company,1983 **Purchasing**
Raising Quality To The Next Level ,1992 **Progressive Farmer** ,1998 *F & S Index United States Annual* ,1994
Fleet Owner ,1997 *Automotive News* ,1995 **Materials Handling News** ,1989

Embark on a breathtaking journey through nature and adventure with is mesmerizing ebook, Witness the Wonders in **Nissan 30 Forklift Service Manual** . This immersive experience, available for download in a PDF format (PDF Size: *), transports you to the heart of natural marvels and thrilling escapades. Download now and let the adventure begin!

https://correiodobrasil.blogosfero.cc/public/scholarship/Documents/owners_manual_arrow_accounting.pdf

Table of Contents Nissan 30 Forklift Service Manual

1. Understanding the eBook Nissan 30 Forklift Service Manual
 - The Rise of Digital Reading Nissan 30 Forklift Service Manual
 - Advantages of eBooks Over Traditional Books
2. Identifying Nissan 30 Forklift Service Manual
 - Exploring Different Genres
 - Considering Fiction vs. Non-Fiction
 - Determining Your Reading Goals
3. Choosing the Right eBook Platform
 - Popular eBook Platforms
 - Features to Look for in an Nissan 30 Forklift Service Manual
 - User-Friendly Interface
4. Exploring eBook Recommendations from Nissan 30 Forklift Service Manual
 - Personalized Recommendations
 - Nissan 30 Forklift Service Manual User Reviews and Ratings
 - Nissan 30 Forklift Service Manual and Bestseller Lists
5. Accessing Nissan 30 Forklift Service Manual Free and Paid eBooks
 - Nissan 30 Forklift Service Manual Public Domain eBooks
 - Nissan 30 Forklift Service Manual eBook Subscription Services
 - Nissan 30 Forklift Service Manual Budget-Friendly Options
6. Navigating Nissan 30 Forklift Service Manual eBook Formats

- ePub, PDF, MOBI, and More
 - Nissan 30 Forklift Service Manual Compatibility with Devices
 - Nissan 30 Forklift Service Manual Enhanced eBook Features
7. Enhancing Your Reading Experience
 - Adjustable Fonts and Text Sizes of Nissan 30 Forklift Service Manual
 - Highlighting and Note-Taking Nissan 30 Forklift Service Manual
 - Interactive Elements Nissan 30 Forklift Service Manual
 8. Staying Engaged with Nissan 30 Forklift Service Manual
 - Joining Online Reading Communities
 - Participating in Virtual Book Clubs
 - Following Authors and Publishers Nissan 30 Forklift Service Manual
 9. Balancing eBooks and Physical Books Nissan 30 Forklift Service Manual
 - Benefits of a Digital Library
 - Creating a Diverse Reading Collection Nissan 30 Forklift Service Manual
 10. Overcoming Reading Challenges
 - Dealing with Digital Eye Strain
 - Minimizing Distractions
 - Managing Screen Time
 11. Cultivating a Reading Routine Nissan 30 Forklift Service Manual
 - Setting Reading Goals Nissan 30 Forklift Service Manual
 - Carving Out Dedicated Reading Time
 12. Sourcing Reliable Information of Nissan 30 Forklift Service Manual
 - Fact-Checking eBook Content of Nissan 30 Forklift Service Manual
 - Distinguishing Credible Sources
 13. Promoting Lifelong Learning
 - Utilizing eBooks for Skill Development
 - Exploring Educational eBooks
 14. Embracing eBook Trends
 - Integration of Multimedia Elements
 - Interactive and Gamified eBooks

Nissan 30 Forklift Service Manual Introduction

In today's digital age, the availability of Nissan 30 Forklift Service Manual books and manuals for download has revolutionized the way we access information. Gone are the days of physically flipping through pages and carrying heavy textbooks or manuals. With just a few clicks, we can now access a wealth of knowledge from the comfort of our own homes or on the go. This article will explore the advantages of Nissan 30 Forklift Service Manual books and manuals for download, along with some popular platforms that offer these resources. One of the significant advantages of Nissan 30 Forklift Service Manual books and manuals for download is the cost-saving aspect. Traditional books and manuals can be costly, especially if you need to purchase several of them for educational or professional purposes. By accessing Nissan 30 Forklift Service Manual versions, you eliminate the need to spend money on physical copies. This not only saves you money but also reduces the environmental impact associated with book production and transportation. Furthermore, Nissan 30 Forklift Service Manual books and manuals for download are incredibly convenient. With just a computer or smartphone and an internet connection, you can access a vast library of resources on any subject imaginable. Whether you're a student looking for textbooks, a professional seeking industry-specific manuals, or someone interested in self-improvement, these digital resources provide an efficient and accessible means of acquiring knowledge. Moreover, PDF books and manuals offer a range of benefits compared to other digital formats. PDF files are designed to retain their formatting regardless of the device used to open them. This ensures that the content appears exactly as intended by the author, with no loss of formatting or missing graphics. Additionally, PDF files can be easily annotated, bookmarked, and searched for specific terms, making them highly practical for studying or referencing. When it comes to accessing Nissan 30 Forklift Service Manual books and manuals, several platforms offer an extensive collection of resources. One such platform is Project Gutenberg, a nonprofit organization that provides over 60,000 free eBooks. These books are primarily in the public domain, meaning they can be freely distributed and downloaded. Project Gutenberg offers a wide range of classic literature, making it an excellent resource for literature enthusiasts. Another popular platform for Nissan 30 Forklift Service Manual books and manuals is Open Library. Open Library is an initiative of the Internet Archive, a non-profit organization dedicated to digitizing cultural artifacts and making them accessible to the public. Open Library hosts millions of books, including both public domain works and contemporary titles. It also allows users to borrow digital copies of certain books for a limited period, similar to a library lending system. Additionally, many universities and educational institutions have their own digital libraries that provide free access to PDF books and manuals. These libraries often offer academic texts, research papers, and technical manuals, making them invaluable resources for students and researchers. Some notable examples include MIT OpenCourseWare, which offers free access to course materials from the Massachusetts Institute of Technology, and the Digital Public Library of America, which provides a vast collection of digitized books and historical documents. In conclusion, Nissan 30 Forklift

Service Manual books and manuals for download have transformed the way we access information. They provide a cost-effective and convenient means of acquiring knowledge, offering the ability to access a vast library of resources at our fingertips. With platforms like Project Gutenberg, Open Library, and various digital libraries offered by educational institutions, we have access to an ever-expanding collection of books and manuals. Whether for educational, professional, or personal purposes, these digital resources serve as valuable tools for continuous learning and self-improvement. So why not take advantage of the vast world of Nissan 30 Forklift Service Manual books and manuals for download and embark on your journey of knowledge?

FAQs About Nissan 30 Forklift Service Manual Books

What is a Nissan 30 Forklift Service Manual PDF? A PDF (Portable Document Format) is a file format developed by Adobe that preserves the layout and formatting of a document, regardless of the software, hardware, or operating system used to view or print it. **How do I create a Nissan 30 Forklift Service Manual PDF?** There are several ways to create a PDF: Use software like Adobe Acrobat, Microsoft Word, or Google Docs, which often have built-in PDF creation tools. Print to PDF: Many applications and operating systems have a "Print to PDF" option that allows you to save a document as a PDF file instead of printing it on paper. Online converters: There are various online tools that can convert different file types to PDF. **How do I edit a Nissan 30 Forklift Service Manual PDF?** Editing a PDF can be done with software like Adobe Acrobat, which allows direct editing of text, images, and other elements within the PDF. Some free tools, like PDFescape or Smallpdf, also offer basic editing capabilities. **How do I convert a Nissan 30 Forklift Service Manual PDF to another file format?** There are multiple ways to convert a PDF to another format: Use online converters like Smallpdf, Zamzar, or Adobe Acrobats export feature to convert PDFs to formats like Word, Excel, JPEG, etc. Software like Adobe Acrobat, Microsoft Word, or other PDF editors may have options to export or save PDFs in different formats. **How do I password-protect a Nissan 30 Forklift Service Manual PDF?** Most PDF editing software allows you to add password protection. In Adobe Acrobat, for instance, you can go to "File" -> "Properties" -> "Security" to set a password to restrict access or editing capabilities. Are there any free alternatives to Adobe Acrobat for working with PDFs? Yes, there are many free alternatives for working with PDFs, such as: LibreOffice: Offers PDF editing features. PDFsam: Allows splitting, merging, and editing PDFs. Foxit Reader: Provides basic PDF viewing and editing capabilities. How do I compress a PDF file? You can use online tools like Smallpdf, ILovePDF, or desktop software like Adobe Acrobat to compress PDF files without significant quality loss. Compression reduces the file size, making it easier to share and download. Can I fill out forms in a PDF file? Yes, most PDF viewers/editors like Adobe Acrobat, Preview (on Mac), or various online tools allow you to fill out forms in PDF files by

selecting text fields and entering information. Are there any restrictions when working with PDFs? Some PDFs might have restrictions set by their creator, such as password protection, editing restrictions, or print restrictions. Breaking these restrictions might require specific software or tools, which may or may not be legal depending on the circumstances and local laws.

Find Nissan 30 Forklift Service Manual :

~~owners manual arrow accounting~~
owners manual champion generators
owners manual for john deere 310e
~~owners manual for bmw e36 316i~~
~~owner manual for honda fourtrax 300~~
~~owners manual for 2008 kawasaki zsr600~~
owners manual for kubota 2012 b3200
owners manual 1999 isuzu trooper
owners manual 2005 honda crf 250 r
owners manual for 2010 street bob
owner manual sanyo 21mt1 color tv
owners manual chevrolet aveo 2011
owners manual 2015 peterbilt 379
owners manual for audi a3 sportback
owners guide mitsubishi pajero exceed

Nissan 30 Forklift Service Manual :

der segen der weihnacht meditationen gebundene ausgabe amazon de - Aug 17 2023

web der segen der weihnacht meditationen joseph ratzinger benedikt xvi isbn 9783451288722 kostenloser versand für alle bücher mit versand und verkauf duch amazon

segnestexte für morgens und abends amen online - Apr 01 2022

web segen für dich und mich biblische segen segenstexte für kinder segenstexte für morgens und abends segensbitten segen segenstexte für morgens und abends luthers abendseggen luthers morgensegen segen zu beginn eines neuen tages

[der segen der weihnacht meditationen amazon es libros](#) - Aug 05 2022

web selecciona el departamento que quieras buscar

der segen der weihnacht meditationen maren schneider pdf - Jul 04 2022

web enjoy now is der segen der weihnacht meditationen below christ our joy joseph murphy 2008 noticing how often the new pope had the topic of joy as the central theme of his many addresses murphy delved into the vast writings of the pope before and after his election to the papacy and found that the theme of joy has pervaded all of his

der segen der weihnacht meditationen download only - Oct 07 2022

web stimulate metamorphosis is truly astonishing within the pages of der segen der weihnacht meditationen an enthralling opus penned by a highly acclaimed wordsmith readers set about an immersive expedition to unravel the intricate significance of language and its indelible imprint on our lives

der segen der weihnacht meditationen 9783451288722 - Jan 10 2023

web der segen der weihnacht meditationen bei abebooks de isbn 10 3451288729 isbn 13 9783451288722 softcover

der segen der weihnacht meditationen evt jyrankola - Jun 03 2022

web tzung mit den ereignissen die zur verkündigung des dogmas führten darüber hinaus erläutert die autorin die entwicklungsgeschichte der definierungsbüchle sowie der immaculata liturgie dank akkurater quellenforschung ermöglicht die studie einen tiefen einblick in die zeit und persönlichkeit pius ix das phänomen des heiligen in

der segen der weihnacht meditationen by joseph ratzinger - May 14 2023

web heilig klappentext zu möge der engel der weihnacht bei dir sein engel haben in der weihnachtszeit eine besondere bedeutung anselm grün stellt uns in diesem wunderschönen geschenkbuch mit inspirierenden texten und stimmungsvollen farbfotografien diese himmelsboten vor er zeigt uns dass der engel der weihnacht uns

der segen der weihnacht meditationen worldcat org - Sep 18 2023

web get this from a library der segen der weihnacht meditationen benoît pape

der segen der weihnacht meditationen joseph ratzinger - Dec 09 2022

web der segen der weihnacht meditationen joseph ratzinger benedikt xvi finden sie alle bücher von joseph ratzinger benedikt xvi bei der büchersuchmaschine eurobuch com können sie antiquarische und neubücher vergleichen und sofort zum bestpreis bestellen der segen der weihnacht joseph ratzinger

segnen zum advent norman rentrop - Jun 15 2023

web der ewige selbst bewahre dich wo immer du bist wo immer du sein wirst sein licht gehe dir voran msgr stephan wahl deutscher katholischer priester seit 2018 direktor im paulus haus jerusalem 1960 aus reiß die himmel auf meditationen zu advent und weihnachten echterverlag 2013 zitateheft 2021

segn weihnacht meditationen zvab - Nov 08 2022

web der segen der weihnacht meditationen von ratzinger joseph und eine große auswahl ähnlicher bücher kunst und sammlerstücke erhältlich auf zvab com

der segen der weihnacht meditationen medimops - Feb 11 2023

web aug 17 2005 meditationen für advent und weihnachten joseph ratzinger vermittelt einen sehr konkreten geistlichen zugang zum geschehen der geburt jesu die krippe ist das symbol für die weisheit des herzens das kind in der krippe ist gott zum anfassen und zum du sagen das geheimnis der heiligen nacht ist die liebe von der her alles

der segen der weihnacht meditationen abebooks - Mar 12 2023

web abebooks com der segen der weihnacht meditationen 119 seiten alle bücher medienartikel von book broker sind stets in gutem sehr gutem gebrauchsfähigen zustand dieser artikel weist folgende merkmale auf helle saubere seiten in fester bindung sprache deutsch gewicht in gramm 200

der segen der weihnacht meditationen gebundene ausgabe amazon de - Oct 19 2023

web meditationen für advent und weihnachten joseph ratzinger vermittelt einen sehr konkreten geistlichen zugang zum geschehen der geburt jesu die krippe ist das symbol für die weisheit des herzens das kind in der krippe ist

der segen der weihnacht bücher de - Apr 13 2023

web meditationen für advent und weihnachten joseph ratzinger vermittelt einen sehr konkreten geistlichen zugang zum geschehen der geburt jesu die krippe ist das symbol für die weisheit des herzens das kind in der krippe ist

der segen der weihnacht meditationen ab 0 01 - Sep 06 2022

web 120 seiten taschenbuch meditationen für advent und weihnachten joseph ratzinger vermittelt einen sehr konkreten geistlichen zugang zum geschehen der geburt jesu die krippe ist das symbol für die weisheit des herzens das kind in der krippe ist gott zum anfassen und zum du sagen

der segen der weihnacht meditationen cyberlab sutd edu sg - Jul 16 2023

web und meditationen laden ein das zauberhafte geheimnis des weihnachtsgeschehens wieder neu in sich aufzunehmen die vielseitigen texte eignen sich nicht nur zum selberlesen sondern auch hervorragend zum vorlesen es strömt ein wunderbarer segen jul 03 2023 der segen der weihnacht oct 06 2023 vom segen der weihnacht sep

der segen der weihnacht meditationen de herder decitre - Feb 28 2022

web nov 1 2007 der segen der weihnacht meditationen de Éditeur herder livraison gratuite à 0 01 dès 35 d achat librairie decitre votre prochain livre est là

der segen der weihnacht meditationen by joseph ratzinger - May 02 2022

web der segen der weihnacht meditationen by joseph ratzinger adventszeit impulskalender spirituelle texte rund um june 3rd

2020 im laufe der zeit wandelte es sich ins genaue gegenteil grund genug um inne zu halten und den lauf des alltags einen gang runterzuschalten

the encyclopedia of marx action figures a price identification - Mar 07 2022

web the encyclopedia of marx action figures a price identification guide by tom heaton 1999 01 03 on amazon com free shipping on qualifying offers the encyclopedia of marx action figures a price identification guide

the encyclopedia of marx action figures a price and identification - Jul 23 2023

web find many great new used options and get the best deals for the encyclopedia of marx action figures a price and identification guide by tom heaton 1999 trade paperback at the best online prices at ebay free shipping for many products

the encyclopedia of marx action figures a price identification guide - May 21 2023

web the encyclopedia of marx action figures a price identification guide heaton tom 9780873416733 books amazon ca

the encyclopedia of marx action figures a price identification - Sep 13 2022

web the encyclopedia of marx action figures a price identification guide a price and identification guide heaton tom isbn 9780873416733 kostenloser versand für alle bücher mit versand und verkauf duch amazon

the encyclopedia of marx action figures a price identification - Jun 22 2023

web jun 1 1999 a detailed reference on the more than 230 marx action figures including daniel boone the rat patrol and others and their accessories produced during the 1960s and 1970s includes up to date pricing information grading tips and advice on collecting these highly desirable toys original 192 pages paperback first published june 1 1999

the encyclopedia of marx action figures a price and identification - Nov 15 2022

web the encyclopedia of marx action figures a price and identification guide heaton tom amazon sg books

encyclopedia marx action figures by heaton tom abebooks - Apr 20 2023

web the encyclopedia of marx action figures a price identification guide by heaton tom and a great selection of related books art and collectibles available now at abebooks com

amazon com customer reviews the encyclopedia of marx action figures - Jan 17 2023

web find helpful customer reviews and review ratings for the encyclopedia of marx action figures a price identification guide by tom heaton 1999 01 03 at amazon com read honest and unbiased product reviews from our users

the encyclopedia of marx action figures a price and identification - Apr 08 2022

web a detailed reference on the more than 230 marx action figures including daniel boone the rat patrol and others and their accessories produced during the 1960s and 1970s includes up to date pricing information grading tips

the encyclopedia of marx action figures a price and identification - Oct 14 2022

web amazon in buy the encyclopedia of marx action figures a price and identification guide book online at best prices in india

on amazon in read the encyclopedia of marx action figures a price and identification guide book reviews author details and more at amazon in free delivery on qualified orders

the encyclopedia of marx action figures a price identification - Dec 16 2022

web buy the encyclopedia of marx action figures a price identification guide by tom heaton online at alibris we have new and used copies available in 1 editions starting at 65 46 shop now

the encyclopedia of marx action figures a price and identification - Mar 19 2023

web buy the encyclopedia of marx action figures a price and identification guide by heaton tom online on amazon ae at best prices fast and free shipping free returns cash on delivery available on eligible purchase

the encyclopedia of marx action figures book review rtmisc - May 09 2022

web the encyclopedia of marx action figures a price identification guide by tom heaton is a reference and price guide for the action figures produced by marx in the 1960s and early 1970s it is 192 pages and has more than 400 photographs of 200 action figures

the encyclopedia of marx action figures a price and identification - Aug 12 2022

web find many great new used options and get the best deals for the encyclopedia of marx action figures a price and identification guide by tom heaton 1999 trade paperback at the best online prices at ebay

the encyclopedia of marx action figures a price identification - Aug 24 2023

web jan 1 1999 a detailed reference on the more than 230 marx action figures including daniel boone the rat patrol and others and their accessories produced during the 1960s and 1970s includes up to date pricing information grading tips and advice on collecting these highly desirable toys

the encyclopedia of marx action figures a price and identification - Feb 06 2022

web the encyclopedia of marx action figures a price and identification guide heaton tom amazon com au books

the encyclopedia of marx action figures a price identification - Jul 11 2022

web abebooks com the encyclopedia of marx action figures a price identification guide book is in used good condition pages and cover are clean and intact used items may not include supplementary materials such as cds or access codes may show signs of minor shelf wear and contain limited notes and highlighting

the encyclopedia of marx action figures open library - Jun 10 2022

web nov 28 2020 april 1 2008 created by an anonymous user imported from scriblio marc record the encyclopedia of marx action figures by tom heaton 1999 krause publications edition in english

the encyclopedia of marx action figures a price identification guide - Jan 05 2022

web find helpful customer reviews and review ratings for the encyclopedia of marx action figures a price identification guide

at amazon com read honest and unbiased product reviews from our users

the encyclopedia of marx action figures a price identification - Feb 18 2023

web actions webcasts general counsel legal history the encyclopedia of marx action figures a price identification guide tom heaton smithsonian libraries and archives addthis share tools object details author heaton tom tom g subject louis marx co includes index nmah copy 39088019586130 gift of anne t graham 1999 type

understanding faults by david tanner ebook ebooks com - Aug 02 2022

web understanding faults detecting dating and modeling offers a single resource for analyzing faults for a variety of applications from hazard detection and earthquake processes to geophysical exploration

understanding faults detecting dating and modeling - Jul 01 2022

web buy understanding faults detecting dating and modeling by tanner david brandes christian isbn 9780128159859 from amazon s book store everyday low prices and

understanding faults detecting dating and modeling - May 31 2022

web front cover understanding faults understanding faults copyright contents list of contributors preface 1 introduction definition of a fault surface fault kinematics and

understanding faults detecting dating and modeling paperback - Mar 29 2022

web understanding faults detecting dating and modeling offers a single resource for analyzing faults for a variety of applications from hazard uh oh it looks like your

numerical modelling of faults sciencedirect - Nov 24 2021

web jan 1 2020 in the following subchapters an overview of the different numerical techniques commonly used for fault modelling is given thereby the focus is on modelling of

understanding faults detecting dating and modeling - Jun 12 2023

web oct 8 2019 understanding faults detecting dating and modeling offers a single resource for analyzing faults for a variety of applications from hazard detection and

understanding faults detecting dating and modeling booksmart - Oct 24 2021

web the book presents the latest research including fault dating using new mineral growth fault reactivation and fault modeling and also helps bridge the gap between geologists

understanding faults detecting dating and modeling google - Dec 06 2022

web understanding faults detecting dating and modeling ebook written by david tanner christian brandes read this book using google play books app on your pc android

understanding faults detecting dating and modeling - Mar 09 2023

web understanding faults detecting dating and modeling offers a single resource for analyzing faults for a variety of applications from hazard detection and earthquake

[understanding faults detecting dating and modeling pdf](#) - Jan 27 2022

web understanding faults detecting dating and modeling offers a single resource for analyzing faults for a variety of applications from hazard detection and earthquake

[understanding faults en apple books](#) - Nov 05 2022

web understanding faults detecting dating and modeling offers a single resource for analyzing faults for a variety of applications from hazard detection and earthquake

[fault detection sciencedirect](#) - Jan 07 2023

web jan 1 2020 fault detection sciencedirect understanding faults detecting dating and modeling 2020 pages 81 146

chapter 3 fault detection david c tanner a

[understanding faults detecting dating and modeling alibris](#) - Dec 26 2021

web understanding faults detecting dating and modeling offers a single resource for analyzing faults for a variety of applications from hazard detection and earthquake

understanding faults detecting dating and modeling - Aug 14 2023

web oct 23 2019 understanding faults detecting dating and modeling offers a single resource for analyzing faults for a variety of applications from hazard detection and earthquake processes to

[direct dating of fault movement sciencedirect](#) - Sep 03 2022

web jan 1 2020 direct dating methods of faults are based on either 1 formation of new minerals on the fault plane due to the precipitation of fluids or 2 full or partial resetting

[understanding faults 1st edition elsevier](#) - May 11 2023

web oct 8 2019 presents cutting edge information relating to fault analysis including mechanical geometrical and numerical models theory and methodologies includes

[the growth of faults sciencedirect](#) - Feb 08 2023

web jan 1 2020 abstract this chapter describes the processes that control fault growth it examines the primary fault growth models and the data that underpin these models

[download understanding faults detecting dating and modeling](#) - Feb 25 2022

web oct 8 2019 understanding faults detecting dating and modeling pdf download read online summary understanding faults detecting dating and modeling offers a single resource for analyzing faults for a variety of applications from hazard detection and earthquake processes to geophysical exploration

understanding faults detecting dating and modeling - Oct 04 2022

web understanding faults detecting dating and modeling offers a single resource for analyzing faults for a variety of applications from hazard detection and earthquake

understanding faults sciencedirect - Jul 13 2023

web understanding faults detecting dating and modeling offers a single resource for analyzing faults for a variety of applications from hazard detection and earthquake

understanding faults detecting dating and modeling ebook - Apr 29 2022

web understanding faults detecting dating and modeling ebook tanner david brandes christian amazon com au books

understanding faults detecting dating and modeling gbv - Apr 10 2023

web 6 2 1 conceptual ideal isolated fault model 226 6 2 2 mechanical layering and displacement variations 226

understanding faults detecting dating and modeling