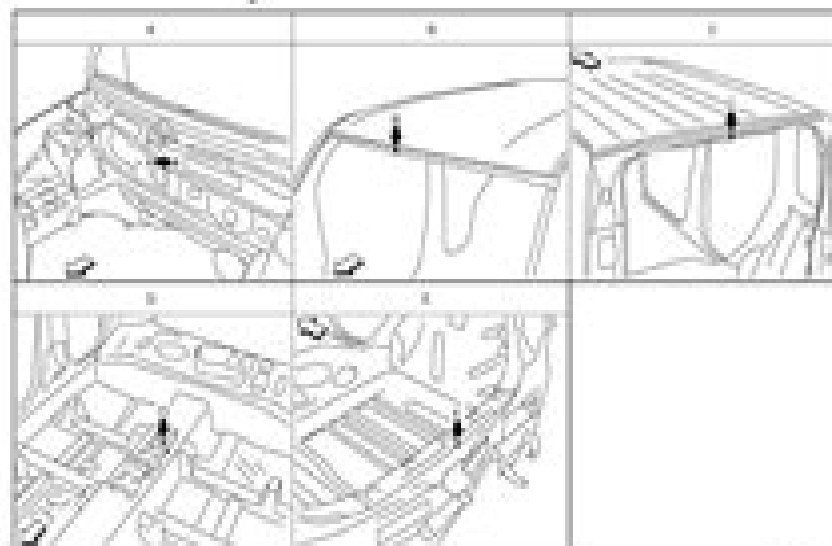
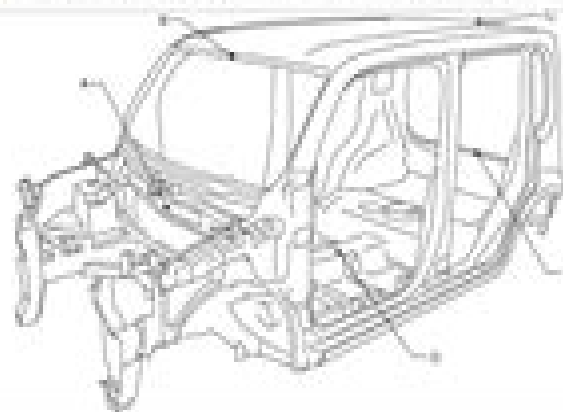




Bookmarks

- QUICK REFERENCE INDEX
- Table of Contents
- VEHICLE INFORMATION
- PRECAUTION
- PREPARATION
- REMOVAL AND INSTALLATION
- SERVICE DATA AND SPECIFICATIONS (SDS)



2014-2015

Vehicle front

List view (2)

Points	Position	Marks
A	Cowl top	Embossment
B	Front roof	Embossment
C	Rear roof	Indent

[Nissan Cube 2009 Service Repair Manual Ebook](#)

PETER. GILL



Nissan Cube 2009 Servicerepair Manual Ebook:

Nissan Bluebird Jeremy Churchill,1995 **Nissan Owners Workshop Manual** Peter G. Strasman,1986 **Nissan Pick-ups** Rik Paul,Ken Freund,John Harold Haynes,1991 Nissan Pick-ups Automotive Repair Manual Rik Paul,1988

Nissan Altima Automotive Repair Manual Jeff Kibler,John Harold Haynes,1997 Haynes disassembles every subject vehicle and documents every step with thorough instructions and clear photos Haynes repair manuals are used by the pros but written for the do it yourselfer Nissan Sunny (91-95) Service and Repair Manual A. K. Legg,Spencer J. Drayton,1996 Hatchback Saloon Estate inc special limited editions Does NOT cover 100 NX Coupe 2 0 GTi or 2 0 GTi R 4x4 Petrol 1 4 litre 1392cc 1 6 litre 1597cc **Nissan Sunny 1986-91 Service and Repair Manual** Ian Coomber,Mark Coombs,1996 Hatchback Saloon Pulsar N13 Coupe Estate B12 inc ZX special limited editions Petrol 1 3 litre 1270cc 1 4 litre 1392cc 1 6 litre 1597 1598cc 1 8 litre 1809cc *Nissan Owners Workshop Manual* P. G. Strasman,John Harold Haynes,1988

Nissan Sunny Owners Workshop Manual Ian Coomber,1991 *Mercury Villager & Nissan Quest Automotive Repair Manual* Jeff Kibler,John Harold Haynes,1999 NISSAN QASHQAI (FEB '14-'19). PETER. GILL,2020 **Nissan Micra (K11 Series)** A. K. Legg,2015 Nissan Stanza Owners Workshop Manual Peter G. Strasman,1986 Nissan Frontier & Xterra 2005-11 Repair Manual Jay Storer,Chilton,2012 Covers all U S and Canadian models of Nissan Frontier and Xterra two and four wheel drive *Nissan Patrol Automotive Repair Manual* Geoff Wilson,John Harold Haynes,2014-08-15 This is a maintenance repair manual for the Nissan Patrol **Nissan Maxima Automotive Repair Manual** Ken Freund,John Harold Haynes,1991 Nissan Maxima 1985 91 Shop Manual Haynes 304 pgs 730 ill *Mercury Villager and Nissan Quest, 1993-2001* John Haynes,2002-06-01 Inside this manual the reader will learn to do routine maintenance tune up procedures engine repair along with aspects of your car such as cooling and heating air conditioning fuel and exhaust emissions control ignition brakes suspension and steering electrical systems wiring diagrams **Nissan Altima 1993 thru 2006** John H Haynes,2008-06-30 Haynes offers the best coverage for cars trucks vans SUVs and motorcycles on the market today Each manual contains easy to follow step by step instructions linked to hundreds of photographs and illustrations Included in every manual troubleshooting section to help identify specific problems tips that give valuable short cuts to make the job easier and eliminate the need for special tools notes cautions and warnings for the home mechanic color spark plug diagnosis and an easy to use index Chilton's Nissan 350Z & Infiniti G35 2003-08 Repair Manual Jay Storer,2008 Covers U S and Canadian models of Nissan 350Z Infiniti G35 Does not include Infiniti G37 models *Nissan/Datsun Stanza* P. G. Strasman,John Harold Haynes,1989

Nissan Cube 2009 Servicerepair Manual Ebook Book Review: Unveiling the Magic of Language

In an electronic digital era where connections and knowledge reign supreme, the enchanting power of language has become more apparent than ever. Its ability to stir emotions, provoke thought, and instigate transformation is really remarkable. This extraordinary book, aptly titled "**Nissan Cube 2009 Servicerepair Manual Ebook**," published by a very acclaimed author, immerses readers in a captivating exploration of the significance of language and its profound effect on our existence. Throughout this critique, we shall delve to the book is central themes, evaluate its unique writing style, and assess its overall influence on its readership.

https://correiodobrasil.blogosfero.cc/files/book-search/index.jsp/Music_Theory_Practice_Test.pdf

Table of Contents Nissan Cube 2009 Servicerepair Manual Ebook

1. Understanding the eBook Nissan Cube 2009 Servicerepair Manual Ebook
 - The Rise of Digital Reading Nissan Cube 2009 Servicerepair Manual Ebook
 - Advantages of eBooks Over Traditional Books
2. Identifying Nissan Cube 2009 Servicerepair Manual Ebook
 - Exploring Different Genres
 - Considering Fiction vs. Non-Fiction
 - Determining Your Reading Goals
3. Choosing the Right eBook Platform
 - Popular eBook Platforms
 - Features to Look for in an Nissan Cube 2009 Servicerepair Manual Ebook
 - User-Friendly Interface
4. Exploring eBook Recommendations from Nissan Cube 2009 Servicerepair Manual Ebook
 - Personalized Recommendations
 - Nissan Cube 2009 Servicerepair Manual Ebook User Reviews and Ratings
 - Nissan Cube 2009 Servicerepair Manual Ebook and Bestseller Lists

5. Accessing Nissan Cube 2009 Servicerepair Manual Ebook Free and Paid eBooks
 - Nissan Cube 2009 Servicerepair Manual Ebook Public Domain eBooks
 - Nissan Cube 2009 Servicerepair Manual Ebook eBook Subscription Services
 - Nissan Cube 2009 Servicerepair Manual Ebook Budget-Friendly Options
6. Navigating Nissan Cube 2009 Servicerepair Manual Ebook eBook Formats
 - ePub, PDF, MOBI, and More
 - Nissan Cube 2009 Servicerepair Manual Ebook Compatibility with Devices
 - Nissan Cube 2009 Servicerepair Manual Ebook Enhanced eBook Features
7. Enhancing Your Reading Experience
 - Adjustable Fonts and Text Sizes of Nissan Cube 2009 Servicerepair Manual Ebook
 - Highlighting and Note-Taking Nissan Cube 2009 Servicerepair Manual Ebook
 - Interactive Elements Nissan Cube 2009 Servicerepair Manual Ebook
8. Staying Engaged with Nissan Cube 2009 Servicerepair Manual Ebook
 - Joining Online Reading Communities
 - Participating in Virtual Book Clubs
 - Following Authors and Publishers Nissan Cube 2009 Servicerepair Manual Ebook
9. Balancing eBooks and Physical Books Nissan Cube 2009 Servicerepair Manual Ebook
 - Benefits of a Digital Library
 - Creating a Diverse Reading Collection Nissan Cube 2009 Servicerepair Manual Ebook
10. Overcoming Reading Challenges
 - Dealing with Digital Eye Strain
 - Minimizing Distractions
 - Managing Screen Time
11. Cultivating a Reading Routine Nissan Cube 2009 Servicerepair Manual Ebook
 - Setting Reading Goals Nissan Cube 2009 Servicerepair Manual Ebook
 - Carving Out Dedicated Reading Time
12. Sourcing Reliable Information of Nissan Cube 2009 Servicerepair Manual Ebook
 - Fact-Checking eBook Content of Nissan Cube 2009 Servicerepair Manual Ebook
 - Distinguishing Credible Sources
13. Promoting Lifelong Learning

- Utilizing eBooks for Skill Development
 - Exploring Educational eBooks
14. Embracing eBook Trends
- Integration of Multimedia Elements
 - Interactive and Gamified eBooks

Nissan Cube 2009 Servicerepair Manual Ebook Introduction

Nissan Cube 2009 Servicerepair Manual Ebook Offers over 60,000 free eBooks, including many classics that are in the public domain. Open Library: Provides access to over 1 million free eBooks, including classic literature and contemporary works. Nissan Cube 2009 Servicerepair Manual Ebook Offers a vast collection of books, some of which are available for free as PDF downloads, particularly older books in the public domain. Nissan Cube 2009 Servicerepair Manual Ebook : This website hosts a vast collection of scientific articles, books, and textbooks. While it operates in a legal gray area due to copyright issues, its a popular resource for finding various publications. Internet Archive for Nissan Cube 2009 Servicerepair Manual Ebook : Has an extensive collection of digital content, including books, articles, videos, and more. It has a massive library of free downloadable books. Free-eBooks Nissan Cube 2009 Servicerepair Manual Ebook Offers a diverse range of free eBooks across various genres. Nissan Cube 2009 Servicerepair Manual Ebook Focuses mainly on educational books, textbooks, and business books. It offers free PDF downloads for educational purposes. Nissan Cube 2009 Servicerepair Manual Ebook Provides a large selection of free eBooks in different genres, which are available for download in various formats, including PDF. Finding specific Nissan Cube 2009 Servicerepair Manual Ebook, especially related to Nissan Cube 2009 Servicerepair Manual Ebook, might be challenging as theyre often artistic creations rather than practical blueprints. However, you can explore the following steps to search for or create your own Online Searches: Look for websites, forums, or blogs dedicated to Nissan Cube 2009 Servicerepair Manual Ebook, Sometimes enthusiasts share their designs or concepts in PDF format. Books and Magazines Some Nissan Cube 2009 Servicerepair Manual Ebook books or magazines might include. Look for these in online stores or libraries. Remember that while Nissan Cube 2009 Servicerepair Manual Ebook, sharing copyrighted material without permission is not legal. Always ensure youre either creating your own or obtaining them from legitimate sources that allow sharing and downloading. Library Check if your local library offers eBook lending services. Many libraries have digital catalogs where you can borrow Nissan Cube 2009 Servicerepair Manual Ebook eBooks for free, including popular titles. Online Retailers: Websites like Amazon, Google Books, or Apple Books often sell eBooks. Sometimes, authors or publishers offer promotions or free periods for certain books. Authors Website Occasionally, authors provide excerpts or short stories for free on their websites. While this might not be the Nissan Cube 2009 Servicerepair Manual Ebook full book , it can

give you a taste of the authors writing style. Subscription Services Platforms like Kindle Unlimited or Scribd offer subscription-based access to a wide range of Nissan Cube 2009 Servicerepair Manual Ebook eBooks, including some popular titles.

FAQs About Nissan Cube 2009 Servicerepair Manual Ebook Books

1. Where can I buy Nissan Cube 2009 Servicerepair Manual Ebook books? Bookstores: Physical bookstores like Barnes & Noble, Waterstones, and independent local stores. Online Retailers: Amazon, Book Depository, and various online bookstores offer a wide range of books in physical and digital formats.
2. What are the different book formats available? Hardcover: Sturdy and durable, usually more expensive. Paperback: Cheaper, lighter, and more portable than hardcovers. E-books: Digital books available for e-readers like Kindle or software like Apple Books, Kindle, and Google Play Books.
3. How do I choose a Nissan Cube 2009 Servicerepair Manual Ebook book to read? Genres: Consider the genre you enjoy (fiction, non-fiction, mystery, sci-fi, etc.). Recommendations: Ask friends, join book clubs, or explore online reviews and recommendations. Author: If you like a particular author, you might enjoy more of their work.
4. How do I take care of Nissan Cube 2009 Servicerepair Manual Ebook books? Storage: Keep them away from direct sunlight and in a dry environment. Handling: Avoid folding pages, use bookmarks, and handle them with clean hands. Cleaning: Gently dust the covers and pages occasionally.
5. Can I borrow books without buying them? Public Libraries: Local libraries offer a wide range of books for borrowing. Book Swaps: Community book exchanges or online platforms where people exchange books.
6. How can I track my reading progress or manage my book collection? Book Tracking Apps: Goodreads, LibraryThing, and Book Catalogue are popular apps for tracking your reading progress and managing book collections. Spreadsheets: You can create your own spreadsheet to track books read, ratings, and other details.
7. What are Nissan Cube 2009 Servicerepair Manual Ebook audiobooks, and where can I find them? Audiobooks: Audio recordings of books, perfect for listening while commuting or multitasking. Platforms: Audible, LibriVox, and Google Play Books offer a wide selection of audiobooks.
8. How do I support authors or the book industry? Buy Books: Purchase books from authors or independent bookstores. Reviews: Leave reviews on platforms like Goodreads or Amazon. Promotion: Share your favorite books on social media or recommend them to friends.

9. Are there book clubs or reading communities I can join? Local Clubs: Check for local book clubs in libraries or community centers. Online Communities: Platforms like Goodreads have virtual book clubs and discussion groups.
10. Can I read Nissan Cube 2009 Servicerepair Manual Ebook books for free? Public Domain Books: Many classic books are available for free as they're in the public domain. Free E-books: Some websites offer free e-books legally, like Project Gutenberg or Open Library.

Find Nissan Cube 2009 Servicerepair Manual Ebook :

music theory practice test

multivac chamber machine c220 instruction manual

mustang shop manual torrents

[my best friend jesus 180 devotions and worship activities for preschoolers](#)

multiplayer game development with html5

[muscle tissue study guide](#)

murachs mainframe cobol

[multiple choice question on nutritional status](#)

murder in the boonies a sleuth sisters mystery

museum fur islamische kunst berlin

murder in the merchants hall an an elizabethan spy thriller

murks im himmel detlef schumacher ebook

[music apps for musicians and music teachers](#)

multiple paths to literacy k 2 proven high yield strategies to scaffold engaging

murder in the winter book 2 dekker cozy mystery series

Nissan Cube 2009 Servicerepair Manual Ebook :

Chapter 16: Energy & Chemical Change Flashcards Students also viewed · Energy. The ability to do work or produce heat. · Law of Conservation of Energy. In any chemical reaction of physical process, energy can ... CHEMISTRY CHAPTER 15 Energy and Chemical Change Students also viewed ; Chapter 15: Energy and Chemical Change Vocabulary · 29 terms · ldujka ; chapter 15 energy and chemical changes study guide. 20 terms. Column B - a. system Energy and Chemical Change. Section 16.1 Energy. In your textbook, read about the nature of energy. In the space at the left, write true if the statement

is ... Reviewing Vocabulary Chapter Assessment Answer Key. Name. Copyright © Glencoe/McGraw-Hill, a ... Energy and Chemical Change. Reviewing Vocabulary. Match the definition in Column A ... Lesson 6.7: Energy Changes in Chemical Reactions Aug 16, 2023 — A more formal summative assessment is included at the end of each chapter. Students will record their observations and answer questions ... Chapter 16: Energy and Chemical Change Use care when handling HCl and NaOH solutions. Procedure. 1. Measure about 5 mL 5M NaOH solution and pour it into a large test tube ... Chapter 7: Energy and Chemical Reactions You can test your readiness to proceed by answering the Review. Questions at the end of the chapter. This might also be a good time to read the Chapter. Thermochemistry For example, the energy produced by the batteries in a cell phone, car, or flashlight results from chemical reactions. This chapter introduces many of the basic ... Energy and Chemical Change Chemistry: Matter and Change • Chapter 15. Study Guide. 78. Chemistry: Matter and Change • Chapter 15. Study Guide. Use the table to answer the following ... Solutions Manual to accompany Principles of Corporate ... Solutions Manual to accompany Principles of Corporate Finance. 7th Edition. ISBN-13: 978-0072468007, ISBN ... Fundamentals of Corporate Finance - 7th Edition - Quizlet Our resource for Fundamentals of Corporate Finance includes answers to chapter exercises, as well as detailed information to walk you through the process step ... Fundamentals of Corporate Finance 7th Edition Brealey ... Fundamentals of Corporate Finance 7th Edition Brealey Solutions Manual - Free download as PDF File (.pdf), Text File (.txt) or read online for free. Richard Brealey Solutions | Chegg.com Solutions Manual to accompany Principles of Corporate Finance 7th Edition 0 Problems solved, Richard A Brealey, Richard A. Brealey, Stewart C. Fundamentals Of Corporate Finance With Connect Plus 7th ... Access Fundamentals of Corporate Finance with Connect Plus 7th Edition solutions now. Our solutions are written by Chegg experts so you can be assured of ... Principles of corporate finance 7th edition solutions Principles of corporate finance 7th edition solutions manual Principles of from BUS5 162 at San Jose State University. Solutions manual to accompany principles of corporate ... Solutions manual to accompany principles of corporate finance. Authors: Richard A. Brealey, Stewart C. Myers, Bruce Swensen. Front cover image for Solutions ... Corporate finance brealey myers marcus 7th edition so corporate finance brealey myers marcus 7th edition so Solution manual for from ECON 358 at University of Nevada, Las Vegas. [AVAILABLE] Fundamentals of Corporate Finance by ... [AVAILABLE] Fundamentals of Corporate Finance by Richard A. Brealey (7th Canadian Edition) TEXTBOOK + TEST BANK + SOLUTIONS MANUAL. Fundamentals of Corporate Finance, 7ce Brealey Oct 17, 2023 — Fundamentals of Corporate Finance, 7th Canadian Edition, By Brealey, Myers, Marcus, Mitra, Gajurel (Solutions Manual with Test Bank). \$ 50.98 ... Convince Them in 90 Seconds or Less: Make Instant ... But he doesn't stop there. This book shows how to turn those instant connections into long-lasting, productive business relationships."—Marty Edelman, ... Convince Them in 90 Seconds or Less: Make Instant ... Convince Them in 90 Seconds or Less: Make Instant Connections That Pay Off in Business and in Life · Paperback · \$13.95. Convince Them in 90 Seconds or Less This book teaches you about the snap judgments that are made in

those first few instants and how you can make them work to your advantage. Once you're past ... How to Persuade People in 90 Seconds or Less May 27, 2010 — "Just adjust to useful attitudes, as opposed to useless attitudes," he says. "Useful might be resourceful or welcoming, enthusiastic. Useless ... Convince Them in 90 Seconds Mar 11, 2021 — There are a number of rules to learn in order to establish a fruitful relationship. They are to make the other person talk, stay focused on what ... Book review: Convince them in 90 seconds Aug 31, 2010 — Successful leaders share three really useful attitudes. They're enthusiastic. They're curious. And they embrace humility, with a public persona ... Convince Them in 90 Seconds or Less Quotes It's much easier to be convincing if you care about your topic. Figure out what's important to you about your message and speak from the heart. Convince Them in 90 Seconds or Less: Make Instant ... May 26, 2010 — Convince Them in 90 Seconds or Less: Make Instant Connections That Pay Off in Business and in Life (Paperback). By Nicholas Boothman. \$13.95. Convince Them in 90 Seconds or Less: Make Instant ... May 26, 2010 — Whether you're selling, negotiating, interviewing, networking, or leading a team, success depends on convincing other people - and ...