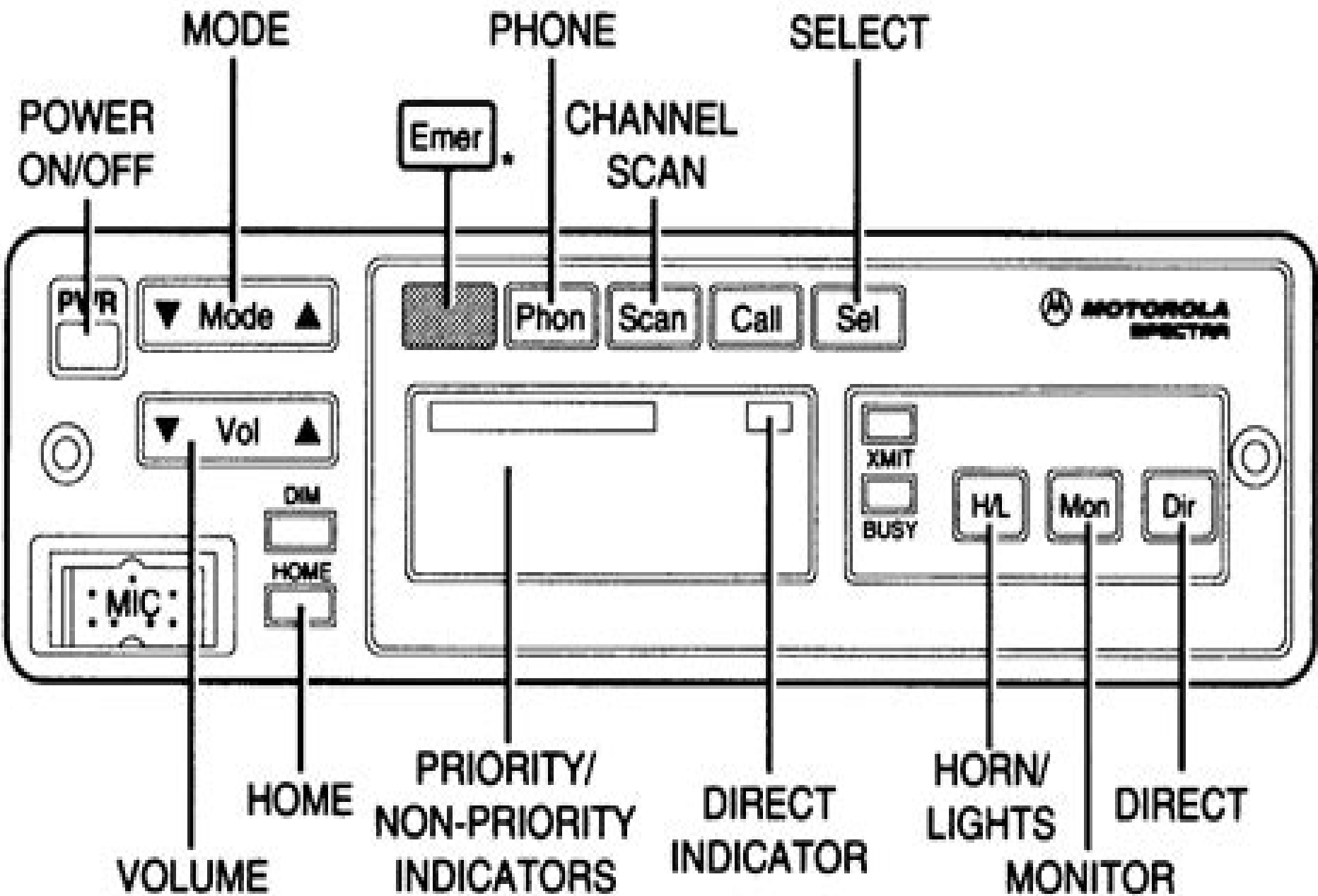


PUSHBUTTON CONTROL HEAD



Motorola Spectra A5 Manual

Joacim Rocklöv



Motorola Spectra A5 Manual:

When somebody should go to the ebook stores, search foundation by shop, shelf by shelf, it is really problematic. This is why we offer the books compilations in this website. It will definitely ease you to see guide **Motorola Spectra A5 Manual** as you such as.

By searching the title, publisher, or authors of guide you in reality want, you can discover them rapidly. In the house, workplace, or perhaps in your method can be every best area within net connections. If you aspiration to download and install the Motorola Spectra A5 Manual, it is utterly simple then, in the past currently we extend the belong to to buy and create bargains to download and install Motorola Spectra A5 Manual as a result simple!

<https://correiodobrasil.blogosfero.cc/book/publication/index.jsp/mitsubishi%20car%20repair%20manuals.pdf>

Table of Contents Motorola Spectra A5 Manual

1. Understanding the eBook Motorola Spectra A5 Manual
 - The Rise of Digital Reading Motorola Spectra A5 Manual
 - Advantages of eBooks Over Traditional Books
2. Identifying Motorola Spectra A5 Manual
 - Exploring Different Genres
 - Considering Fiction vs. Non-Fiction
 - Determining Your Reading Goals
3. Choosing the Right eBook Platform
 - Popular eBook Platforms
 - Features to Look for in an Motorola Spectra A5 Manual
 - User-Friendly Interface
4. Exploring eBook Recommendations from Motorola Spectra A5 Manual
 - Personalized Recommendations
 - Motorola Spectra A5 Manual User Reviews and Ratings
 - Motorola Spectra A5 Manual and Bestseller Lists

5. Accessing Motorola Spectra A5 Manual Free and Paid eBooks
 - Motorola Spectra A5 Manual Public Domain eBooks
 - Motorola Spectra A5 Manual eBook Subscription Services
 - Motorola Spectra A5 Manual Budget-Friendly Options
6. Navigating Motorola Spectra A5 Manual eBook Formats
 - ePub, PDF, MOBI, and More
 - Motorola Spectra A5 Manual Compatibility with Devices
 - Motorola Spectra A5 Manual Enhanced eBook Features
7. Enhancing Your Reading Experience
 - Adjustable Fonts and Text Sizes of Motorola Spectra A5 Manual
 - Highlighting and Note-Taking Motorola Spectra A5 Manual
 - Interactive Elements Motorola Spectra A5 Manual
8. Staying Engaged with Motorola Spectra A5 Manual
 - Joining Online Reading Communities
 - Participating in Virtual Book Clubs
 - Following Authors and Publishers Motorola Spectra A5 Manual
9. Balancing eBooks and Physical Books Motorola Spectra A5 Manual
 - Benefits of a Digital Library
 - Creating a Diverse Reading Collection Motorola Spectra A5 Manual
10. Overcoming Reading Challenges
 - Dealing with Digital Eye Strain
 - Minimizing Distractions
 - Managing Screen Time
11. Cultivating a Reading Routine Motorola Spectra A5 Manual
 - Setting Reading Goals Motorola Spectra A5 Manual
 - Carving Out Dedicated Reading Time
12. Sourcing Reliable Information of Motorola Spectra A5 Manual
 - Fact-Checking eBook Content of Motorola Spectra A5 Manual
 - Distinguishing Credible Sources
13. Promoting Lifelong Learning

- Utilizing eBooks for Skill Development
 - Exploring Educational eBooks
14. Embracing eBook Trends
- Integration of Multimedia Elements
 - Interactive and Gamified eBooks

Motorola Spectra A5 Manual Introduction

In this digital age, the convenience of accessing information at our fingertips has become a necessity. Whether its research papers, eBooks, or user manuals, PDF files have become the preferred format for sharing and reading documents. However, the cost associated with purchasing PDF files can sometimes be a barrier for many individuals and organizations. Thankfully, there are numerous websites and platforms that allow users to download free PDF files legally. In this article, we will explore some of the best platforms to download free PDFs. One of the most popular platforms to download free PDF files is Project Gutenberg. This online library offers over 60,000 free eBooks that are in the public domain. From classic literature to historical documents, Project Gutenberg provides a wide range of PDF files that can be downloaded and enjoyed on various devices. The website is user-friendly and allows users to search for specific titles or browse through different categories. Another reliable platform for downloading Motorola Spectra A5 Manual free PDF files is Open Library. With its vast collection of over 1 million eBooks, Open Library has something for every reader. The website offers a seamless experience by providing options to borrow or download PDF files. Users simply need to create a free account to access this treasure trove of knowledge. Open Library also allows users to contribute by uploading and sharing their own PDF files, making it a collaborative platform for book enthusiasts. For those interested in academic resources, there are websites dedicated to providing free PDFs of research papers and scientific articles. One such website is Academia.edu, which allows researchers and scholars to share their work with a global audience. Users can download PDF files of research papers, theses, and dissertations covering a wide range of subjects. Academia.edu also provides a platform for discussions and networking within the academic community. When it comes to downloading Motorola Spectra A5 Manual free PDF files of magazines, brochures, and catalogs, Issuu is a popular choice. This digital publishing platform hosts a vast collection of publications from around the world. Users can search for specific titles or explore various categories and genres. Issuu offers a seamless reading experience with its user-friendly interface and allows users to download PDF files for offline reading. Apart from dedicated platforms, search engines also play a crucial role in finding free PDF files. Google, for instance, has an advanced search feature that allows users to filter results by file type. By specifying the file type as "PDF," users can find websites that offer free PDF downloads on a specific topic. While downloading Motorola Spectra A5 Manual free PDF files is convenient, its

important to note that copyright laws must be respected. Always ensure that the PDF files you download are legally available for free. Many authors and publishers voluntarily provide free PDF versions of their work, but its essential to be cautious and verify the authenticity of the source before downloading Motorola Spectra A5 Manual. In conclusion, the internet offers numerous platforms and websites that allow users to download free PDF files legally. Whether its classic literature, research papers, or magazines, there is something for everyone. The platforms mentioned in this article, such as Project Gutenberg, Open Library, Academia.edu, and Issuu, provide access to a vast collection of PDF files. However, users should always be cautious and verify the legality of the source before downloading Motorola Spectra A5 Manual any PDF files. With these platforms, the world of PDF downloads is just a click away.

FAQs About Motorola Spectra A5 Manual Books

1. Where can I buy Motorola Spectra A5 Manual books? Bookstores: Physical bookstores like Barnes & Noble, Waterstones, and independent local stores. Online Retailers: Amazon, Book Depository, and various online bookstores offer a wide range of books in physical and digital formats.
2. What are the different book formats available? Hardcover: Sturdy and durable, usually more expensive. Paperback: Cheaper, lighter, and more portable than hardcovers. E-books: Digital books available for e-readers like Kindle or software like Apple Books, Kindle, and Google Play Books.
3. How do I choose a Motorola Spectra A5 Manual book to read? Genres: Consider the genre you enjoy (fiction, non-fiction, mystery, sci-fi, etc.). Recommendations: Ask friends, join book clubs, or explore online reviews and recommendations. Author: If you like a particular author, you might enjoy more of their work.
4. How do I take care of Motorola Spectra A5 Manual books? Storage: Keep them away from direct sunlight and in a dry environment. Handling: Avoid folding pages, use bookmarks, and handle them with clean hands. Cleaning: Gently dust the covers and pages occasionally.
5. Can I borrow books without buying them? Public Libraries: Local libraries offer a wide range of books for borrowing. Book Swaps: Community book exchanges or online platforms where people exchange books.
6. How can I track my reading progress or manage my book collection? Book Tracking Apps: Goodreads, LibraryThing, and Book Catalogue are popular apps for tracking your reading progress and managing book collections. Spreadsheets: You can create your own spreadsheet to track books read, ratings, and other details.
7. What are Motorola Spectra A5 Manual audiobooks, and where can I find them? Audiobooks: Audio recordings of books,

- perfect for listening while commuting or multitasking. Platforms: Audible, LibriVox, and Google Play Books offer a wide selection of audiobooks.
8. How do I support authors or the book industry? Buy Books: Purchase books from authors or independent bookstores. Reviews: Leave reviews on platforms like Goodreads or Amazon. Promotion: Share your favorite books on social media or recommend them to friends.
 9. Are there book clubs or reading communities I can join? Local Clubs: Check for local book clubs in libraries or community centers. Online Communities: Platforms like Goodreads have virtual book clubs and discussion groups.
 10. Can I read Motorola Spectra A5 Manual books for free? Public Domain Books: Many classic books are available for free as they're in the public domain. Free E-books: Some websites offer free e-books legally, like Project Gutenberg or Open Library.

Find Motorola Spectra A5 Manual :

mitsubishi car repair manuals

~~*mitsubishi montero 1996 electrical service manual*~~

mitsubishi outlander motor manual

~~*mitsubishi pajero manual book*~~

mitsubishi eclipse manual ebook 2001

mitsubishi carisma workshop manual

mitsubishi l200 truck service repair manual 1996 2001

mitsubishi pajero io 2015 manual

mitsubishi fg25 manual

mitsubishi edm wire manuals

mitsubishi fto workshop repair manual 1994 1998


mitsubishi delica l300 1987 1994 service repair manual

mitsubishi lancer gli service manual

mitsubishi owners manual

mitsubishi colt lancer lancer super 1996 2001 car workshop manual repair manual service manual

Motorola Spectra A5 Manual :

Chapter 8 Aplia Flashcards is a strategic alliance in which two existing companies collaborate to form a third, independent company. Aplia Assignment CH 8 - Chapter 8 homework 1. Making ... Aplia Assignment CH 8 chapter homework making persuasive requests in business environment, persuasion is critical to success. persuasion is necessary when ... Chapter 08: Aplia Assignment Flashcards Study with Quizlet and memorize flashcards containing terms like , Establish credibility, persuasive practices and more. Chapter 08-Aplia Assignment.docx Chapter 08: Aplia Assignment 1. Understanding Persuasion in a Social and Mobile Age Contemporary businesses have embraced leaner corporate hierarchies, ... Aplia Assignment CH 8 - Attempts: 7. Average Fill in the blank with the most appropriate answer. A successful persuasive message to subordinates should use warm words. Points: 1 / 1. Close Explanation ... Chapter 8 Solutions | Aplia For Gwartney/stroup/sobel ... List the major phases of the business cycle and indicate how real GDP, employment, and unemployment change during these phases. Solved Chapter 8 Aplia Assignment: The Scholar Just as ... Mar 2, 2021 — This problem has been solved! You'll get a detailed solution from a subject matter expert that helps you learn core concepts. See AnswerSee ... homework aplia chapter 8 review attempt 2.docx Chapter 8 Review Persuasive messages convince someone to accept a product, service, or idea. To persuade effectively, the sender of the message must know ... Micro, Chapter 8 Homework - YouTube ECON 2301 Mindtap Chapter 8 Q4 - YouTube The Queen's Commonwealth Essay Competition The Queen's Commonwealth Essay Competition is the world's oldest international writing competition for schools, proudly delivered by the Royal Commonwealth ... Enter the QCEC2023 The Queen's Commonwealth Essay Competition is the world's oldest international writing competition for schools, proudly delivered by the Royal Commonwealth The Queen's Commonwealth Essay Prize Nov 16, 2023 — The Queen has celebrated 140 years of The Queen's Commonwealth Essay Prize with winners, supporters and a host of well-known writers at ... The Queen's Commonwealth Essay Competition 2023 We are delighted to share that the 2023 Queen's Commonwealth Essay Competition is open to entries for writers aged under 18, who are nationals or residents ... Royal Commonwealth Society | London QCEC Essay Competition enhances writing skills, fostering clarity, coherence, and effective communication. Royal Commonwealth Society . The Queen's Commonwealth Essay Competition 2023 ... 386 likes, 8 comments - royalcwsociety on March 16, 2023: "The Queen's Commonwealth Essay Competition 2023 is now live! The theme for the #QCEC2023 is 'A .. Queen's Commonwealth Essay Competition 2024 (Prize + ... The Queen's Commonwealth Essay Competition 2024 is the world's oldest international writing competition for schools, established in 1883. With thousands of ... 140 years of The Queen's Commonwealth Essay Competition Queen's Essay Competition — Royal Commonwealth Society The competition is used by individuals and teachers to build confidence, develop writing skills, support creativity and encourage critical thinking, using ... The Queen's speech at The Queen's Commonwealth ... Nov 16, 2023 — The Queen's speech at The Queen's Commonwealth Essay Competition 2023. Published 16

November 2023. Well done to each and every one of you - you ... Student Activities Manual Answer Key, Lab Audioscript ... Student Activities Manual Answer Key, Lab Audioscript, Videoscript for Blitt/Casas' Exploraciones by Mary Ann Blitt - ISBN 10: 0495914177 - ISBN 13: ... Exploraciones-Student Activities Manual Answer Key Buy Exploraciones-Student Activities Manual Answer Key 11 edition (9780495914174) by Mary Ann Blitt for up to 90% off at Textbooks.com. Student Activities Manual Answer Key, Lab Audioscript ... Provided to instructors to share with students at their own discretion, the Answer Key provides answers to the activities in the Student Activities Manual. Student Activities Manual Answer Key, Lab Audioscript ... Buy Student Activities Manual Answer Key, Lab Audioscript, Videoscript for Blitt/Casas' Exploraciones 1 by Blitt, Mary Ann, Casas, Margarita (ISBN: ... Student Activities Manual Answer Key, Lab Audioscript ... Student Activities Manual Answer Key, Lab Audioscript, Videoscript for Blitt/Casas' Exploraciones. 1st Edition - 1 January 2011. ISBN-13: 978-0495914174 ISBN ... Student Activities Manual Answer Key, Lab... - ThriftBooks Provided to instructors to share with students at their own discretion, the Answer Key provides answers to the activities in the Student Activities Manual. Get Exploraciones Student Activities Manual Answers Complete Exploraciones Student Activities Manual Answers online with US Legal Forms. Easily fill out PDF blank, edit, and sign them. by Blitt, Mary Ann; Casas, Margarita Student Activities Manual Answer Key, Lab Audioscript, Videoscript for Blitt/Casas' Exploraciones by Blitt, Mary Ann; Casas, Margarita ; Format/Binding Paperback ... Student Activities Manual Answer Key, Lab Audioscript, ... Student Activities Manual Answer Key, Lab Audioscript, Videoscript for Blitt/Casas' Exploraciones (Paperback) ; Publisher: Cengage Learning, Inc ; ISBN: ... Student Activities Manual for Blitt/Casas' Exploraciones The eBook includes all of the key concepts that instructors, like you, require for your course, and a full suite of learning aids to accommodate your students' ...