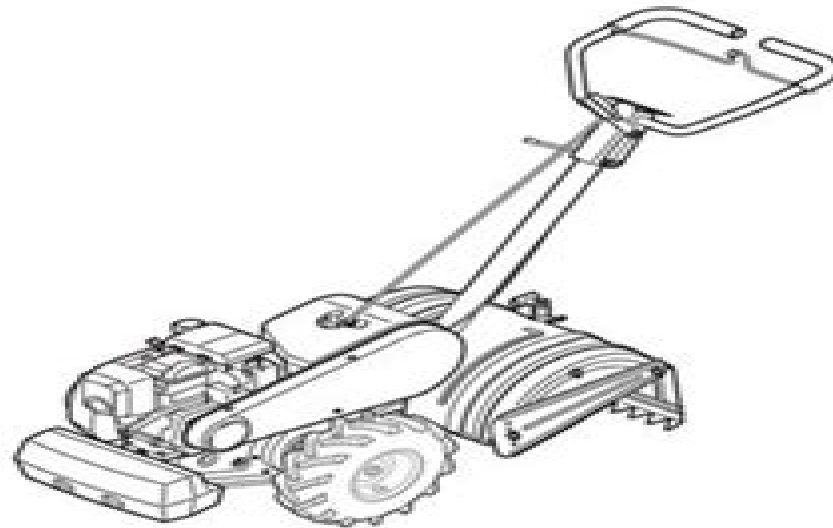

Cub Cadet.

ILLUSTRATED PARTS MANUAL



Rear Tine Tiller — Model RT 65

CUB CADET LLC, P.O. BOX 361131 CLEVELAND, OHIO 44136-0019

Owners Manual Cub Cadet Rt 65

IM Harris



Owners Manual Cub Cadet Rt 65:

Whispering the Secrets of Language: An Mental Journey through **Owners Manual Cub Cadet Rt 65**

In a digitally-driven world where monitors reign supreme and quick connection drowns out the subtleties of language, the profound strategies and mental nuances hidden within words often get unheard. Yet, set within the pages of **Owners Manual Cub Cadet Rt 65** a fascinating literary prize pulsating with natural feelings, lies a fantastic quest waiting to be undertaken. Written by an experienced wordsmith, this wonderful opus attracts readers on an introspective trip, delicately unraveling the veiled truths and profound influence resonating within the very fabric of each and every word. Within the mental depths with this emotional review, we shall embark upon a sincere exploration of the book is key styles, dissect their interesting publishing model, and yield to the powerful resonance it evokes serious within the recesses of readers hearts.

<https://correiodobrasil.blogosfero.cc/book/detail/Documents/Microsoft%20Fsx%20Manual.pdf>

Table of Contents Owners Manual Cub Cadet Rt 65

1. Understanding the eBook Owners Manual Cub Cadet Rt 65
 - The Rise of Digital Reading Owners Manual Cub Cadet Rt 65
 - Advantages of eBooks Over Traditional Books
2. Identifying Owners Manual Cub Cadet Rt 65
 - Exploring Different Genres
 - Considering Fiction vs. Non-Fiction
 - Determining Your Reading Goals
3. Choosing the Right eBook Platform
 - Popular eBook Platforms
 - Features to Look for in an Owners Manual Cub Cadet Rt 65
 - User-Friendly Interface
4. Exploring eBook Recommendations from Owners Manual Cub Cadet Rt 65
 - Personalized Recommendations
 - Owners Manual Cub Cadet Rt 65 User Reviews and Ratings

- Owners Manual Cub Cadet Rt 65 and Bestseller Lists
- 5. Accessing Owners Manual Cub Cadet Rt 65 Free and Paid eBooks
 - Owners Manual Cub Cadet Rt 65 Public Domain eBooks
 - Owners Manual Cub Cadet Rt 65 eBook Subscription Services
 - Owners Manual Cub Cadet Rt 65 Budget-Friendly Options
- 6. Navigating Owners Manual Cub Cadet Rt 65 eBook Formats
 - ePub, PDF, MOBI, and More
 - Owners Manual Cub Cadet Rt 65 Compatibility with Devices
 - Owners Manual Cub Cadet Rt 65 Enhanced eBook Features
- 7. Enhancing Your Reading Experience
 - Adjustable Fonts and Text Sizes of Owners Manual Cub Cadet Rt 65
 - Highlighting and Note-Taking Owners Manual Cub Cadet Rt 65
 - Interactive Elements Owners Manual Cub Cadet Rt 65
- 8. Staying Engaged with Owners Manual Cub Cadet Rt 65
 - Joining Online Reading Communities
 - Participating in Virtual Book Clubs
 - Following Authors and Publishers Owners Manual Cub Cadet Rt 65
- 9. Balancing eBooks and Physical Books Owners Manual Cub Cadet Rt 65
 - Benefits of a Digital Library
 - Creating a Diverse Reading Collection Owners Manual Cub Cadet Rt 65
- 10. Overcoming Reading Challenges
 - Dealing with Digital Eye Strain
 - Minimizing Distractions
 - Managing Screen Time
- 11. Cultivating a Reading Routine Owners Manual Cub Cadet Rt 65
 - Setting Reading Goals Owners Manual Cub Cadet Rt 65
 - Carving Out Dedicated Reading Time
- 12. Sourcing Reliable Information of Owners Manual Cub Cadet Rt 65
 - Fact-Checking eBook Content of Owners Manual Cub Cadet Rt 65
 - Distinguishing Credible Sources

13. Promoting Lifelong Learning
 - Utilizing eBooks for Skill Development
 - Exploring Educational eBooks
14. Embracing eBook Trends
 - Integration of Multimedia Elements
 - Interactive and Gamified eBooks

Owners Manual Cub Cadet Rt 65 Introduction

Free PDF Books and Manuals for Download: Unlocking Knowledge at Your Fingertips In today's fast-paced digital age, obtaining valuable knowledge has become easier than ever. Thanks to the internet, a vast array of books and manuals are now available for free download in PDF format. Whether you are a student, professional, or simply an avid reader, this treasure trove of downloadable resources offers a wealth of information, conveniently accessible anytime, anywhere. The advent of online libraries and platforms dedicated to sharing knowledge has revolutionized the way we consume information. No longer confined to physical libraries or bookstores, readers can now access an extensive collection of digital books and manuals with just a few clicks. These resources, available in PDF, Microsoft Word, and PowerPoint formats, cater to a wide range of interests, including literature, technology, science, history, and much more. One notable platform where you can explore and download free Owners Manual Cub Cadet Rt 65 PDF books and manuals is the internet's largest free library. Hosted online, this catalog compiles a vast assortment of documents, making it a veritable goldmine of knowledge. With its easy-to-use website interface and customizable PDF generator, this platform offers a user-friendly experience, allowing individuals to effortlessly navigate and access the information they seek. The availability of free PDF books and manuals on this platform demonstrates its commitment to democratizing education and empowering individuals with the tools needed to succeed in their chosen fields. It allows anyone, regardless of their background or financial limitations, to expand their horizons and gain insights from experts in various disciplines. One of the most significant advantages of downloading PDF books and manuals lies in their portability. Unlike physical copies, digital books can be stored and carried on a single device, such as a tablet or smartphone, saving valuable space and weight. This convenience makes it possible for readers to have their entire library at their fingertips, whether they are commuting, traveling, or simply enjoying a lazy afternoon at home. Additionally, digital files are easily searchable, enabling readers to locate specific information within seconds. With a few keystrokes, users can search for keywords, topics, or phrases, making research and finding relevant information a breeze. This efficiency saves time and effort, streamlining the learning process and allowing individuals to focus on extracting the information they need. Furthermore, the availability of free PDF books and manuals fosters a culture of continuous learning.

By removing financial barriers, more people can access educational resources and pursue lifelong learning, contributing to personal growth and professional development. This democratization of knowledge promotes intellectual curiosity and empowers individuals to become lifelong learners, promoting progress and innovation in various fields. It is worth noting that while accessing free Owners Manual Cub Cadet Rt 65 PDF books and manuals is convenient and cost-effective, it is vital to respect copyright laws and intellectual property rights. Platforms offering free downloads often operate within legal boundaries, ensuring that the materials they provide are either in the public domain or authorized for distribution. By adhering to copyright laws, users can enjoy the benefits of free access to knowledge while supporting the authors and publishers who make these resources available. In conclusion, the availability of Owners Manual Cub Cadet Rt 65 free PDF books and manuals for download has revolutionized the way we access and consume knowledge. With just a few clicks, individuals can explore a vast collection of resources across different disciplines, all free of charge. This accessibility empowers individuals to become lifelong learners, contributing to personal growth, professional development, and the advancement of society as a whole. So why not unlock a world of knowledge today? Start exploring the vast sea of free PDF books and manuals waiting to be discovered right at your fingertips.

FAQs About Owners Manual Cub Cadet Rt 65 Books

How do I know which eBook platform is the best for me? Finding the best eBook platform depends on your reading preferences and device compatibility. Research different platforms, read user reviews, and explore their features before making a choice. Are free eBooks of good quality? Yes, many reputable platforms offer high-quality free eBooks, including classics and public domain works. However, make sure to verify the source to ensure the eBook credibility. Can I read eBooks without an eReader? Absolutely! Most eBook platforms offer webbased readers or mobile apps that allow you to read eBooks on your computer, tablet, or smartphone. How do I avoid digital eye strain while reading eBooks? To prevent digital eye strain, take regular breaks, adjust the font size and background color, and ensure proper lighting while reading eBooks. What the advantage of interactive eBooks? Interactive eBooks incorporate multimedia elements, quizzes, and activities, enhancing the reader engagement and providing a more immersive learning experience. Owners Manual Cub Cadet Rt 65 is one of the best book in our library for free trial. We provide copy of Owners Manual Cub Cadet Rt 65 in digital format, so the resources that you find are reliable. There are also many Ebooks of related with Owners Manual Cub Cadet Rt 65. Where to download Owners Manual Cub Cadet Rt 65 online for free? Are you looking for Owners Manual Cub Cadet Rt 65 PDF? This is definitely going to save you time and cash in something you should think about. If you trying to find then search around for online. Without a doubt there are numerous these available and many of them have the freedom. However without doubt you

receive whatever you purchase. An alternate way to get ideas is always to check another Owners Manual Cub Cadet Rt 65. This method for see exactly what may be included and adopt these ideas to your book. This site will almost certainly help you save time and effort, money and stress. If you are looking for free books then you really should consider finding to assist you try this. Several of Owners Manual Cub Cadet Rt 65 are for sale to free while some are payable. If you arent sure if the books you would like to download works with for usage along with your computer, it is possible to download free trials. The free guides make it easy for someone to free access online library for download books to your device. You can get free download on free trial for lots of books categories. Our library is the biggest of these that have literally hundreds of thousands of different products categories represented. You will also see that there are specific sites catered to different product types or categories, brands or niches related with Owners Manual Cub Cadet Rt 65. So depending on what exactly you are searching, you will be able to choose e books to suit your own need. Need to access completely for Campbell Biology Seventh Edition book? Access Ebook without any digging. And by having access to our ebook online or by storing it on your computer, you have convenient answers with Owners Manual Cub Cadet Rt 65 To get started finding Owners Manual Cub Cadet Rt 65, you are right to find our website which has a comprehensive collection of books online. Our library is the biggest of these that have literally hundreds of thousands of different products represented. You will also see that there are specific sites catered to different categories or niches related with Owners Manual Cub Cadet Rt 65 So depending on what exactly you are searching, you will be able tochoose ebook to suit your own need. Thank you for reading Owners Manual Cub Cadet Rt 65. Maybe you have knowledge that, people have search numerous times for their favorite readings like this Owners Manual Cub Cadet Rt 65, but end up in harmful downloads. Rather than reading a good book with a cup of coffee in the afternoon, instead they juggled with some harmful bugs inside their laptop. Owners Manual Cub Cadet Rt 65 is available in our book collection an online access to it is set as public so you can download it instantly. Our digital library spans in multiple locations, allowing you to get the most less latency time to download any of our books like this one. Merely said, Owners Manual Cub Cadet Rt 65 is universally compatible with any devices to read.

Find Owners Manual Cub Cadet Rt 65 :

[microsoft fsx manual](#)

middle school math final exam

[microsoft flight simulator x for pilots real world training](#)

[microsoft powerpoint quick reference guide](#)

mike and psmith the collectors wodehouse

microwave engineering lab manual jntu

microsoft exchange server 2007 the complete reference

microsoft system center 2012 unleashed microsoft system center 2012 unleashed

mieke maaikes obscene jeugd fragment

microprocessors pc hardware and interfacing

midwestern inspired home designs

microstrip and printed antennas new trends techniques and applications

miele washing machine manual w3725

microsoft sql server 2012 t sql fundamentals developer reference

microsoft silverlight 5 building rich enterprise dashboards eden joel

Owners Manual Cub Cadet Rt 65 :

MINTEK DTV-265-D TV DVD COMBO OWNER'S MANUAL View and Download Mintek DTV-265-D owner's manual online. 26" LCD HDTV With Built-in DVD Player. DTV-265-D tv dvd combo pdf manual download. Mintek DTV-260 26 in. LCD Television User Manuals & ... Browse Mintek DTV-260 26 in. LCD Television owner's manuals, user guides, instructional help documents & operating information to learn more about your ... Mintek tv users manual May 5, 2008 — Manuals & User Guides. Drop a manual or guide here here to upload. Have a manual for Mintek DTV-260 26 in. LCD Television? Upload a Manual (+ ... Owner's Instructions ... TV to an antenna or a cable TV system (according to the instructions on pages ... TV (por ejemplo, un receptor digital, DTV, DVD, receptor de cable, VCR, etc ... LCD Television Models LT-2240 and LT-3040 Dec 3, 2016 — Note: If you have a digital cable box, refer to your. Digital Cable Box owner's guide for instructions on optimal connections to this TV. Customer reviews: Mintek DTV260 26-in HD Ready LCD TV Find helpful customer reviews and review ratings for Mintek DTV260 26-in HD Ready LCD TV at Amazon.com. Read honest and unbiased product reviews from our users. Hi, I own a mintek tv dvd combo, I need a new remote.... How Feb 7, 2010 — I have a Mintek DTV-260 ,I need the 4 digit code to program · I have a Mintek DTV-260 ,I need the 4 digit code to program a universal remote. ... Bills videos Mintek Dtv 260 Tvs Owners Manual · 01:08. Bills. Face Off The Baddest Chick · 01:10. Bills. Mercury 3 9 Hp Outboard Free Manual 187352 ... I have a Mintek DTV-265-D with built-in DVD that does not ... Dec 31, 2008 — I have a Mintek DTV-265-D with built-in DVD that does not respond to any remote command or any control button on monitor except the on/off ... Mintek DTV260 26 inch HDTV Ready LCD TV Monitor KEY POINTS - Mintek DTV260 26 inch HDTV Ready LCD TV Monitor: · 1366 x 768 WXGA pixel resolution · 800:1 contrast ratio · 16:9 aspect ratio · 480i, 480p, 720p, ... Caries Management - Science and Clinical Practice A comprehensive approach to modern caries management. This systematic approach to modern caries management combines new, evidence-based treatment techniques ... Caries Management - Science and Clinical Practice A

comprehensive approach to modern caries management. This systematic approach to modern caries management combines new, evidence-based treatment techniques ... Caries Management-Science and Clinical Practice Caries Management-Science and Clinical Practice · The Disease: 1 Ecology of the Oral Cavity · The Disease: 2 Etiology and Pathogenesis of Caries · The Disease: ... Caries Management - Science and Clinical Practice Covering the science behind the disease a comprehensive approach to modern caries management This systematic approach to modern caries management combines new ... Caries Management, An Issue of Dental Clinics of This issue of Dental Clinics of North America focuses on Caries Management and is edited by Drs. Sandra Guzmán-Armstrong, Margherita Fontana, Marcelle Matos ... Caries Management-Science and Clinical Practice Dental Caries: Science and Clinical Practice puts scientific principles into clinical action for the best results and is an essential resource for a ... Caries Management Clinical Practice Guidelines A series of ADA guidelines with clinical recommendations for nonrestorative and restorative dental caries treatment, dental caries prevention, and dental ... [(Caries Management - Science and Clinical Practice) ... It is an essential resource for a complete, proactive approach to caries detection, assessment, treatment, management, and prevention in contemporary dental ... Caries Management - Science and Clinical Practice Nov 21, 2012 — It is an essential resource for a complete, proactive approach to caries detection, assessment, treatment, management, and prevention in ... Caries Management - Science and Clinical Practice ... This knowledge alongside the work of Keyes affirms our understanding that dental caries is an entirely preventable disease, in an otherwise healthy ... Nissan Mistral Workshop Manual - Offroad-Express Oct 19, 2007 — I have a Nissan Mistral 95 LWB TD27 R20. 285000km and smooth, no ... its a 1995 2.7 TD and getting the correct manual has proved impossible ... Nissan Terrano Workshop Manual 1993 - 2006 R20 Free ... Download a free pdf Nissan Terrano workshop manual / factory service manual / repair manual for cars built between 1993 - 2006. Suit R20 series vehicles. NISSAN PATHFINDER TERRANO WD21 1986-1995 ... Get your NISSAN PATHFINDER TERRANO WD21 1986-1995 Workshop Manual | Instant Download! No wait time. Download now for comprehensive repair guidance. free d21 /wd21 workshop manual download including diesel. Mar 14, 2016 — Hi All,. Here's a link to get a free download of the terrano, pathfinder and navara workshop manual complete with diagnostics charts and alsorts ... Nissan Pathfinder / Terrano Factory Service Manual (WD21) Download a free pdf Nissan Pathfinder / Terrano workshop manual / factory service manual / repair manual for cars built between 1985 - 1995. Nissan Terrano 1995-2004 Workshop Repair Manual ... Complete Nissan Terrano 1995-2004 Workshop Service Repair Manual. Containing comprehensive illustrations and wiring diagrams, accurate, clear, step by step ... Nissan Terrano Repair Manual | PDF Nissan Terrano I (Model WD21 Series) (A.k.a. Nissan Pathfinder) Workshop Service Repair Manual 1987-1995 in German (2,500+ Pages, 262MB, Searchable ... Manuals - Nissan Terrano II R20 Contains 24 PDF files. Repair manuals. 24.4 MB, Spanish. Terrano II R20, 1993 - 2006, terrano ii users drivers manual.pdf. Mozambican Mistral transmission puzzle Dec 6, 2015 — I have been driving it for a year and everything was fine until a few months ago. I had some problems with the

injector pump (water) and had it ...