

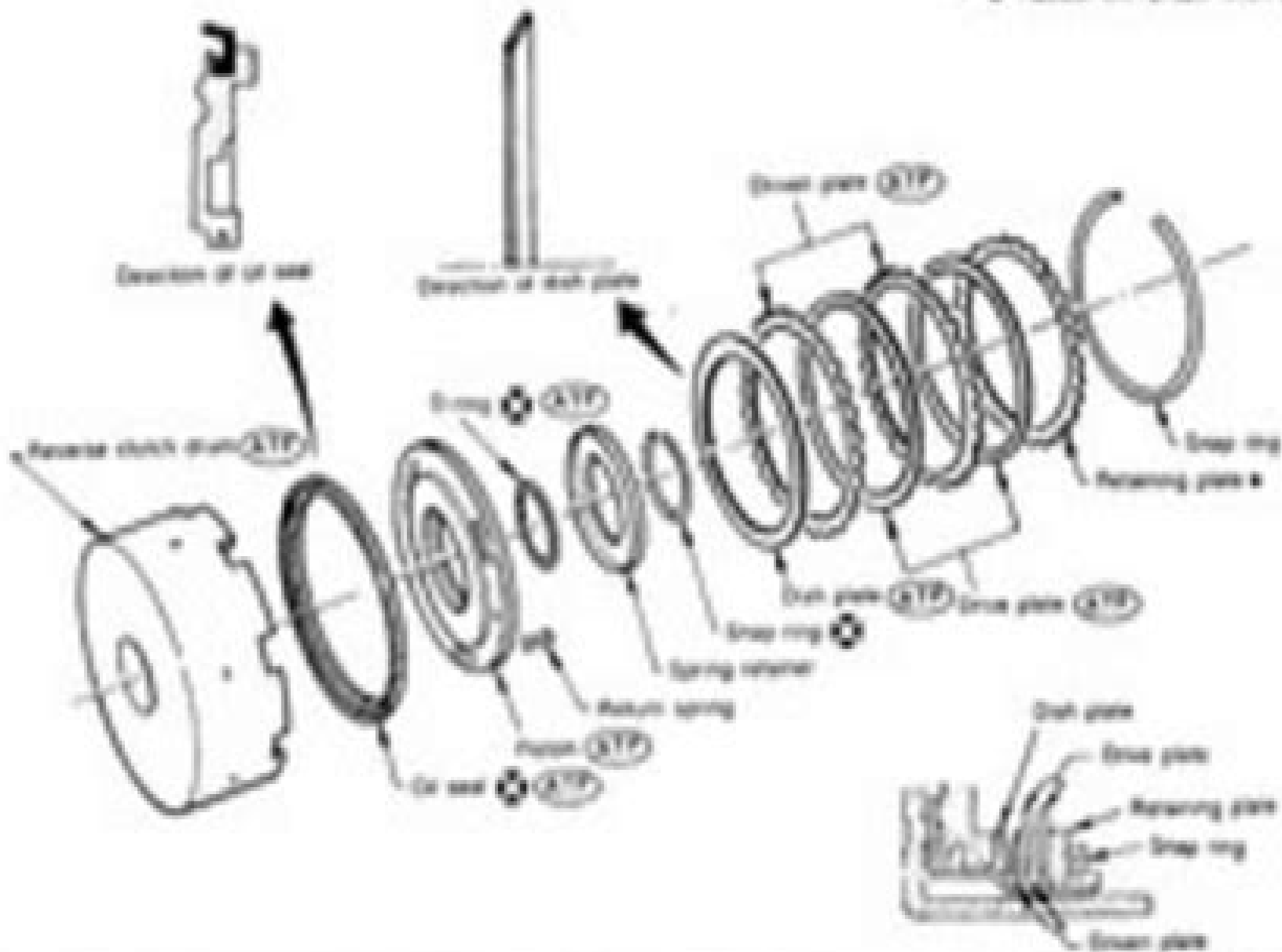
For the number of clutch plates (drive plate and driven plate), refer to the below cross-section.

Reverse Clutch



Apply ATF

- Select with proper thickness



Nissan RL4r01a Automatic Transmission Service Repair Manual

Raffaela Di Napoli



Nissan R14r01a Automatic Transmission Service Repair Manual:

This Captivating Realm of Kindle Books: A Detailed Guide Unveiling the Benefits of Kindle Books: A World of Ease and Flexibility Kindle books, with their inherent mobility and simplicity of availability, have liberated readers from the constraints of hardcopy books. Gone are the days of carrying cumbersome novels or carefully searching for particular titles in shops. E-book devices, sleek and lightweight, effortlessly store an wide library of books, allowing readers to immerse in their preferred reads whenever, everywhere. Whether traveling on a busy train, lounging on a sunny beach, or just cozying up in bed, Kindle books provide an exceptional level of convenience. A Reading Universe Unfolded: Discovering the Wide Array of Kindle Nissan R14r01a Automatic Transmission Service Repair Manual Nissan R14r01a Automatic Transmission Service Repair Manual The Kindle Store, a virtual treasure trove of bookish gems, boasts an extensive collection of books spanning diverse genres, catering to every readers taste and preference. From captivating fiction and thought-provoking non-fiction to timeless classics and modern bestsellers, the E-book Shop offers an unparalleled variety of titles to explore. Whether seeking escape through immersive tales of imagination and exploration, diving into the depths of past narratives, or broadening ones knowledge with insightful works of science and philosophy, the E-book Store provides a doorway to a bookish world brimming with endless possibilities. A Revolutionary Force in the Bookish Scene: The Persistent Impact of Kindle Books Nissan R14r01a Automatic Transmission Service Repair Manual The advent of E-book books has undoubtedly reshaped the literary landscape, introducing a paradigm shift in the way books are released, distributed, and read. Traditional publication houses have embraced the digital revolution, adapting their approaches to accommodate the growing need for e-books. This has led to a rise in the availability of Kindle titles, ensuring that readers have entry to a vast array of literary works at their fingertips. Moreover, E-book books have democratized entry to literature, breaking down geographical barriers and offering readers worldwide with similar opportunities to engage with the written word. Irrespective of their location or socioeconomic background, individuals can now engross themselves in the captivating world of literature, fostering a global community of readers. Conclusion: Embracing the E-book Experience Nissan R14r01a Automatic Transmission Service Repair Manual Kindle books Nissan R14r01a Automatic Transmission Service Repair Manual, with their inherent convenience, versatility, and vast array of titles, have unquestionably transformed the way we encounter literature. They offer readers the liberty to discover the limitless realm of written expression, anytime, anywhere. As we continue to travel the ever-evolving digital landscape, Kindle books stand as testament to the persistent power of storytelling, ensuring that the joy of reading remains accessible to all.

https://correiodobrasil.blogosfero.cc/About/publication/fetch.php/microsoft_application_virtualization_advanced_guide_alvar_ez_augusto.pdf

Table of Contents Nissan R14r01a Automatic Transmission Service Repair Manual

1. Understanding the eBook Nissan R14r01a Automatic Transmission Service Repair Manual
 - The Rise of Digital Reading Nissan R14r01a Automatic Transmission Service Repair Manual
 - Advantages of eBooks Over Traditional Books
2. Identifying Nissan R14r01a Automatic Transmission Service Repair Manual
 - Exploring Different Genres
 - Considering Fiction vs. Non-Fiction
 - Determining Your Reading Goals
3. Choosing the Right eBook Platform
 - Popular eBook Platforms
 - Features to Look for in an Nissan R14r01a Automatic Transmission Service Repair Manual
 - User-Friendly Interface
4. Exploring eBook Recommendations from Nissan R14r01a Automatic Transmission Service Repair Manual
 - Personalized Recommendations
 - Nissan R14r01a Automatic Transmission Service Repair Manual User Reviews and Ratings
 - Nissan R14r01a Automatic Transmission Service Repair Manual and Bestseller Lists
5. Accessing Nissan R14r01a Automatic Transmission Service Repair Manual Free and Paid eBooks
 - Nissan R14r01a Automatic Transmission Service Repair Manual Public Domain eBooks
 - Nissan R14r01a Automatic Transmission Service Repair Manual eBook Subscription Services
 - Nissan R14r01a Automatic Transmission Service Repair Manual Budget-Friendly Options
6. Navigating Nissan R14r01a Automatic Transmission Service Repair Manual eBook Formats
 - ePub, PDF, MOBI, and More
 - Nissan R14r01a Automatic Transmission Service Repair Manual Compatibility with Devices
 - Nissan R14r01a Automatic Transmission Service Repair Manual Enhanced eBook Features
7. Enhancing Your Reading Experience
 - Adjustable Fonts and Text Sizes of Nissan R14r01a Automatic Transmission Service Repair Manual
 - Highlighting and Note-Taking Nissan R14r01a Automatic Transmission Service Repair Manual
 - Interactive Elements Nissan R14r01a Automatic Transmission Service Repair Manual

8. Staying Engaged with Nissan R14r01a Automatic Transmission Service Repair Manual
 - Joining Online Reading Communities
 - Participating in Virtual Book Clubs
 - Following Authors and Publishers Nissan R14r01a Automatic Transmission Service Repair Manual
9. Balancing eBooks and Physical Books Nissan R14r01a Automatic Transmission Service Repair Manual
 - Benefits of a Digital Library
 - Creating a Diverse Reading Collection Nissan R14r01a Automatic Transmission Service Repair Manual
10. Overcoming Reading Challenges
 - Dealing with Digital Eye Strain
 - Minimizing Distractions
 - Managing Screen Time
11. Cultivating a Reading Routine Nissan R14r01a Automatic Transmission Service Repair Manual
 - Setting Reading Goals Nissan R14r01a Automatic Transmission Service Repair Manual
 - Carving Out Dedicated Reading Time
12. Sourcing Reliable Information of Nissan R14r01a Automatic Transmission Service Repair Manual
 - Fact-Checking eBook Content of Nissan R14r01a Automatic Transmission Service Repair Manual
 - Distinguishing Credible Sources
13. Promoting Lifelong Learning
 - Utilizing eBooks for Skill Development
 - Exploring Educational eBooks
14. Embracing eBook Trends
 - Integration of Multimedia Elements
 - Interactive and Gamified eBooks

Nissan R14r01a Automatic Transmission Service Repair Manual Introduction

In today's digital age, the availability of Nissan R14r01a Automatic Transmission Service Repair Manual books and manuals for download has revolutionized the way we access information. Gone are the days of physically flipping through pages and carrying heavy textbooks or manuals. With just a few clicks, we can now access a wealth of knowledge from the comfort of our own homes or on the go. This article will explore the advantages of Nissan R14r01a Automatic Transmission Service Repair Manual books and manuals for download, along with some popular platforms that offer these resources. One of the

significant advantages of Nissan R14r01a Automatic Transmission Service Repair Manual books and manuals for download is the cost-saving aspect. Traditional books and manuals can be costly, especially if you need to purchase several of them for educational or professional purposes. By accessing Nissan R14r01a Automatic Transmission Service Repair Manual versions, you eliminate the need to spend money on physical copies. This not only saves you money but also reduces the environmental impact associated with book production and transportation. Furthermore, Nissan R14r01a Automatic Transmission Service Repair Manual books and manuals for download are incredibly convenient. With just a computer or smartphone and an internet connection, you can access a vast library of resources on any subject imaginable. Whether you're a student looking for textbooks, a professional seeking industry-specific manuals, or someone interested in self-improvement, these digital resources provide an efficient and accessible means of acquiring knowledge. Moreover, PDF books and manuals offer a range of benefits compared to other digital formats. PDF files are designed to retain their formatting regardless of the device used to open them. This ensures that the content appears exactly as intended by the author, with no loss of formatting or missing graphics. Additionally, PDF files can be easily annotated, bookmarked, and searched for specific terms, making them highly practical for studying or referencing. When it comes to accessing Nissan R14r01a Automatic Transmission Service Repair Manual books and manuals, several platforms offer an extensive collection of resources. One such platform is Project Gutenberg, a nonprofit organization that provides over 60,000 free eBooks. These books are primarily in the public domain, meaning they can be freely distributed and downloaded. Project Gutenberg offers a wide range of classic literature, making it an excellent resource for literature enthusiasts. Another popular platform for Nissan R14r01a Automatic Transmission Service Repair Manual books and manuals is Open Library. Open Library is an initiative of the Internet Archive, a non-profit organization dedicated to digitizing cultural artifacts and making them accessible to the public. Open Library hosts millions of books, including both public domain works and contemporary titles. It also allows users to borrow digital copies of certain books for a limited period, similar to a library lending system. Additionally, many universities and educational institutions have their own digital libraries that provide free access to PDF books and manuals. These libraries often offer academic texts, research papers, and technical manuals, making them invaluable resources for students and researchers. Some notable examples include MIT OpenCourseWare, which offers free access to course materials from the Massachusetts Institute of Technology, and the Digital Public Library of America, which provides a vast collection of digitized books and historical documents. In conclusion, Nissan R14r01a Automatic Transmission Service Repair Manual books and manuals for download have transformed the way we access information. They provide a cost-effective and convenient means of acquiring knowledge, offering the ability to access a vast library of resources at our fingertips. With platforms like Project Gutenberg, Open Library, and various digital libraries offered by educational institutions, we have access to an ever-expanding collection of books and manuals. Whether for educational, professional, or personal purposes, these digital resources serve as valuable

tools for continuous learning and self-improvement. So why not take advantage of the vast world of Nissan R14r01a Automatic Transmission Service Repair Manual books and manuals for download and embark on your journey of knowledge?

FAQs About Nissan R14r01a Automatic Transmission Service Repair Manual Books

How do I know which eBook platform is the best for me? Finding the best eBook platform depends on your reading preferences and device compatibility. Research different platforms, read user reviews, and explore their features before making a choice. Are free eBooks of good quality? Yes, many reputable platforms offer high-quality free eBooks, including classics and public domain works. However, make sure to verify the source to ensure the eBook credibility. Can I read eBooks without an eReader? Absolutely! Most eBook platforms offer webbased readers or mobile apps that allow you to read eBooks on your computer, tablet, or smartphone. How do I avoid digital eye strain while reading eBooks? To prevent digital eye strain, take regular breaks, adjust the font size and background color, and ensure proper lighting while reading eBooks. What the advantage of interactive eBooks? Interactive eBooks incorporate multimedia elements, quizzes, and activities, enhancing the reader engagement and providing a more immersive learning experience. Nissan R14r01a Automatic Transmission Service Repair Manual is one of the best book in our library for free trial. We provide copy of Nissan R14r01a Automatic Transmission Service Repair Manual in digital format, so the resources that you find are reliable. There are also many Ebooks of related with Nissan R14r01a Automatic Transmission Service Repair Manual. Where to download Nissan R14r01a Automatic Transmission Service Repair Manual online for free? Are you looking for Nissan R14r01a Automatic Transmission Service Repair Manual PDF? This is definitely going to save you time and cash in something you should think about. If you trying to find then search around for online. Without a doubt there are numerous these available and many of them have the freedom. However without doubt you receive whatever you purchase. An alternate way to get ideas is always to check another Nissan R14r01a Automatic Transmission Service Repair Manual. This method for see exactly what may be included and adopt these ideas to your book. This site will almost certainly help you save time and effort, money and stress. If you are looking for free books then you really should consider finding to assist you try this. Several of Nissan R14r01a Automatic Transmission Service Repair Manual are for sale to free while some are payable. If you arent sure if the books you would like to download works with for usage along with your computer, it is possible to download free trials. The free guides make it easy for someone to free access online library for download books to your device. You can get free download on free trial for lots of books categories. Our library is the biggest of these that have literally hundreds of thousands of different products categories represented. You will also see that there are specific sites catered to different product types or categories, brands or niches related with Nissan R14r01a Automatic Transmission Service Repair Manual. So depending on

what exactly you are searching, you will be able to choose e books to suit your own need. Need to access completely for Campbell Biology Seventh Edition book? Access Ebook without any digging. And by having access to our ebook online or by storing it on your computer, you have convenient answers with Nissan R14r01a Automatic Transmission Service Repair Manual To get started finding Nissan R14r01a Automatic Transmission Service Repair Manual, you are right to find our website which has a comprehensive collection of books online. Our library is the biggest of these that have literally hundreds of thousands of different products represented. You will also see that there are specific sites catered to different categories or niches related with Nissan R14r01a Automatic Transmission Service Repair Manual So depending on what exactly you are searching, you will be able to choose ebook to suit your own need. Thank you for reading Nissan R14r01a Automatic Transmission Service Repair Manual. Maybe you have knowledge that, people have search numerous times for their favorite readings like this Nissan R14r01a Automatic Transmission Service Repair Manual, but end up in harmful downloads. Rather than reading a good book with a cup of coffee in the afternoon, instead they juggled with some harmful bugs inside their laptop. Nissan R14r01a Automatic Transmission Service Repair Manual is available in our book collection an online access to it is set as public so you can download it instantly. Our digital library spans in multiple locations, allowing you to get the most less latency time to download any of our books like this one. Merely said, Nissan R14r01a Automatic Transmission Service Repair Manual is universally compatible with any devices to read.

Find Nissan R14r01a Automatic Transmission Service Repair Manual :

[microsoft application virtualization advanced guide alvarez augusto](#)

[microsoft dynamics nav 2009 r2 user manual](#)

[microsoft wireless mouse manual](#)

microfluidics and biomems applications microsystems

midnight devil 05 hiraku miura

mijn rug goed reiken bukken tillen

microsoft excel 2010 level 1 benchmark series

microscopy techniques for materials science

[microsoft powerpoint study guide answers](#)

midwest shorty manual

miele fe 31

microsoft dynamics ax 2015 user manuals

microstrategy basic reporting guide

[microsoft windows server 2008 r2 administrators reference the administrators essential reference](#)
[mid-year exam geography paper1](#)

Nissan RL4r01a Automatic Transmission Service Repair Manual :

jesus and the chaos of history redirecting the lif pdf - Aug 04 2022

web jesus and the chaos of history redirecting the lif chaos to glory christ in the chaos christ or chaos knowing god s voice judges and ruth when the kingdom comes the chaos of the prosperity gospel sacred holidays the storm inside from chaos to cosmos the mission of jesus discovery guide conquering the chaos in your mind charismatic

jesus and the chaos of history redirecting the life of the historical - Jul 15 2023

web feb 27 2015 in jesus and the chaos of history james crossley looks at the way the earliest traditions about jesus interacted with a context of social upheaval and the ways in which this historical chaos of the early first century led to a range of ideas which were taken up modified ignored and reinterpreted in the movement that followed

[jesus and the chaos of history redirecting the lif 2022](#) - Sep 05 2022

web jesus and the chaos of history redirecting the lif chaos to calm jesus final warning knowing god s voice chaos paradigm one thing jesus and the chaos of history sacred holidays charismatic chaos coming out of hell the storm inside clearing up the confusion the cup the cross and the chaos surviving the coming

jesus and the chaos of history redirecting the life of the historical - Mar 11 2023

web jesus and the chaos of history redirecting the life of the historical jesus ebook written by james crossley read this book using google play books app on your pc android ios

jesus and the chaos of history redirecting the lif pdf - Jul 03 2022

web sacred chaos the storm inside sacred holidays surviving the coming chaos jesus final warning and yet undaunted millions now living may never die christ in the chaos the chaos of cults jesus and the chaos of history redirecting the lif downloaded from ftp popcake com by guest estrella robertson the bible in the ashes of

jesus and the chaos of history redirecting the life of the historical - May 13 2023

web jesus and the chaos of history redirecting the life of the historical jesus author james g crossley author summary james crossley looks at the way the earliest traditions about jesus interacted with a context of social upheaval and the ways in which the historical chaos of the early first century led to a range of ideas which were

[bibliography jesus and the chaos of history redirecting the](#) - Oct 06 2022

web bibliography jesus and the chaos of history redirecting the life of the historical jesus oxford academic bibliographyadams e the stars will fall from heaven cosmic catastrophe in the new testament and its world london t t clark 2007 alexander p

jesus and the chaos of history redirecting the lif pdf - Feb 27 2022

web jesus and the chaos of history redirecting the lif is available in our book collection an online access to it is set as public so you can download it instantly our digital library spans in multiple locations allowing you to get the most less latency time to download any of our books like this one

jesus and the chaos of history redirecting the lif 2022 - Dec 28 2021

web we present jesus and the chaos of history redirecting the lif and numerous book collections from fictions to scientific research in any way in the middle of them is this jesus and the chaos of history redirecting the lif that can be your partner jesus and the chaos of history redirecting the lif downloaded from

jesus and the chaos of history redirecting the life of the historical - Aug 16 2023

web feb 1 2015 jesus and the chaos of history challenges a number of assumptions in contemporary historical jesus scholarship and proposes to redirect ways in which the quest for the historical jesus is undertaken the book challenges the soft superiority of the rhetoric of very jewish jesuses and the common orientalist assumptions about jesus

jesus and the chaos of history redirecting the lif 2022 - Mar 31 2022

web jesus interacted with a context of social upheaval and the ways in which the historical chaos of the early first century led to a range of ideas which were taken up modified ignored and

introduction jesus and the chaos of history redirecting the life - Jun 14 2023

web jesus and the chaos of history redirecting the life of the historical jesus oxford 2015 online edn oxford academic 23 apr 2015 doi org 10 1093/acprof/oso/9780199570577/003/0001 accessed 12 feb 2023

jesus and the chaos of history redirecting the lif pdf - May 01 2022

web need to hear one voice above all others the voice of jesus christ based on the olivet discourse in the book of matthew jesus final warning offers perspective and timely insights from the lord

jesus and the chaos of history oxford university press - Jan 09 2023

web apr 26 2015 in jesus and the chaos of history james crossley looks at the way the earliest traditions about jesus interacted with a context of social upheaval and the ways in which this historical chaos of the early first century led to a range of ideas which were taken up modified ignored and reinterpreted in the movement that followed

jesus and the chaos of history oxford university press - Feb 10 2023

web apr 26 2015 jesus and the chaos of history redirecting the life of the historical jesus james crossley biblical refigurations considers how the seemingly radical and egalitarian themes in the earliest christian traditions co existed alongside themes of power and dominance

crossley j g 2015 jesus and the chaos of history redirecting - Apr 12 2023

web histos 10 2016 xviii xxii review the construction of jesus as an historical person james g crossley jesus and the chaos of history redirecting the life of the historical jesus biblical refigurations oxford oxford university press 2015 pp 280 paperback 18 99

[jesus and the chaos of history redirecting the lif james g](#) - Jun 02 2022

web a book jesus and the chaos of history redirecting the lif plus it is not directly done you could say yes even more approaching this life in the region of the world

jesus and the chaos of history redirecting the lif thomas - Jan 29 2022

web jesus and the chaos of history redirecting the lif but end up in harmful downloads rather than enjoying a good book in the manner of a cup of coffee in the afternoon instead they juggled as soon as some harmful virus inside their computer

jesus and the chaos of history redirecting the life of the historical - Nov 07 2022

web feb 26 2015 jesus and the chaos of history redirecting the life of the historical jesus biblical refigurations kindle edition by crossley james download it once and read it on your kindle device pc phones or tablets use features like bookmarks note taking and highlighting while reading jesus and the chaos of history redirecting the

jesus and the chaos of history redirecting the life of the historical - Dec 08 2022

web apr 26 2015 buy jesus and the chaos of history redirecting the life of the historical jesus biblical refigurations by crossley james isbn 9780199570584 from amazon s book store everyday low prices and free delivery on eligible orders

advanced programming in the unix environment wikipedia - Mar 11 2023

web advanced programming in the unix environment is a computer programming book by w richard stevens describing the application programming interface of the unix family of operating systems the book illustrates unix application programming in the c programming language the first edition of the book was published by addison wesley

w richard stevens wikipedia - May 13 2023

web books 1990 unix network programming isbn 0 13 949876 1 1992 advanced programming in the unix environment isbn 0 201 56317 7 1994 tcp ip illustrated volume 1 the protocols isbn 0 201 63346 9 1995 tcp ip illustrated volume 2 the implementation with gary r wright isbn 0 201 63354 x

unix network programming by w richard stevens open library - Feb 27 2022

web dec 4 2022 subjects computer networks internet programming unix computer file unix teleinformatica sistemas operacionais computadores protocolos de réseaux d ordinateurs computernetwerken unix système d exploitation des ordinateurs réseaux d ordinateurs réseau ordinateur logiciel réseau open syllabus project

unix network programming w richard stevens 2nd edition - Jun 14 2023

web oct 2 2021 download all bit ly unix network programming addeddate 2021 10 02 17 01 28 identifier unix network

programming identifier ark ark 13960 t4fp3p350 ocr tesseract 5 0 0 beta 20210815

advanced programming in the unix environment w richard stevens - Apr 12 2023

web jun 10 2013 about the author 2013 the late w richard stevens was the acclaimed author of unix network programming volumes 1 and 2 widely recognized as the classic texts in unix networking

unix network programming stevens w richard - Aug 04 2022

web jan 23 1990 programming buy new 49 98 list price 93 32 details save 43 34 46 free delivery august 4 8 details select delivery location only 1 left in stock order soon buy now payment secure transaction ships from abbadi store sold by abbadi store returns eligible for return refund or replacement within 30 days of receipt payment

advanced programming in the unix environment netmeister org - Jul 15 2023

web in this course students will learn to develop complex system level software in the c programming language while gaining an intimate understanding of the unix operating system and all os that belong to this family such as linux the bsds and even mac os x and its programming environment

mpcs 51081 unix systems programming winter 2017 - Sep 05 2022

web advanced programming in the unix r environment richard stevens addison wesley isbn 0201563177 2 copies on ready reserve in eckhart unix network programming volume 1 networking apis sockets and xti 2nd edition richard stevens prentice hall isbn 013490012x 2 copies on ready reserve in eckhart

advanced programming in the unix environment stevens w richard - Jun 02 2022

web one of the essential classics of unix programming eric s raymond author of the art of unix programming this is the definitive reference book for any serious or professional unix systems programmer rago has updated and extended the classic stevens text while keeping true to the original the apis are illuminated by clear examples of

[pdf unix network programming download oceanofpdf](#) - Jan 29 2022

web may 9 2023 here is a quick description and cover image of book unix network programming written by w richard stevens which was published in you can read this before unix network programming pdf full download at the bottom unix network programming by w richard stevens ebook details

advanced programming in the unix environment second edition - Dec 08 2022

web richard stevens advanced programming in the unix environment now stevens colleague stephen rago has thoroughly updated this classic to reflect the latest technical advances and add support for today s leading unix and linux platforms rago carefully

advanced programming in the unix r environment 2nd - Mar 31 2022

web this is a comprehensive guide to the unix system call interface it is organized into related subsystems and each function

is shown with its interface an explanation a sample program and a sample output the book starts with an overview of unix relevant standards and common variants

github - Oct 06 2022

web payload allshortcutsenabled false filetype items name advanced linux programming pdf path advanced linux programming pdf contenttype file

unix network programming w richard stevens google books - Dec 28 2021

web w richard stevens prentice hall 1990 computer networks 772 pages a practical book that explains many of the details that have been considered a mystery this guidebook focuses on the

advanced programming in the unix environment w richard stevens - Jan 09 2023

web the late w richard stevens was the acclaimed author of unix network programming volumes 1 and 2 widely recognized as the classic texts in unix networking as well as tcp ip illustrated volumes 1 3 and the first edition of this book

unix network programming by w richard stevens open library - May 01 2022

web nov 17 2022 computer networks internet programming unix computer file unix teleinformatica sistemas operacionais computadores protocolos de réseaux d ordinateurs computernetwerken unix système d exploitation des ordinateurs réseaux d ordinateurs réseau ordinateur logiciel réseau open syllabus project unix

advanced programming in the unix environment w richard stevens - Feb 10 2023

web w richard stevens stephen a rago addison wesley 2005 operating systems 927 pages stephen rago s update is a long overdue benefit to the community of professionals using the versatile family of unix and unix like operating environments it removes obsolescence and includes newer developments it also thoroughly updates the context

github let s build from here github - Jul 03 2022

web payload allshortcutsenabled false filetype items name cv path cv contenttype directory name tcp ip path tcp ip contenttype

w richard stevens home page kohala - Aug 16 2023

web prentice hall 1999 unix network programming volume 1 second edition networking apis sockets and xti prentice hall 1998 tcp ip illustrated volume 3 tcp for transactions http nntp and the unix domain protocols addison wesley 1996 tcp ip illustrated volume 2 the implementation addison wesley 1995

advanced programming in the unix environment 3rd edition - Nov 07 2022

web may 14 2013 the late w richard stevens was the acclaimed author of unix network programming volumes 1 and 2 widely recognized as the classic texts in unix networking tcp ip illustrated volumes 1 3 and the first edition of this book

math connects concepts skills and problems solving course - Mar 29 2022

web to solve an algebraic word problem define a variable write an equation using the variable solve the equation if the variable is not the answer to the word problem use the

[word problem practice questions with answer key](#) - May 11 2023

web the materials are organized by chapter and lesson with one word problem practice worksheet for every lesson in glencoe math connects course 2 always keep your

math connects course 2 pdf area equations scribd - Apr 10 2023

web masters for glencoe math connects course 1 the answers to these worksheets are available at the end of each chapter resource masters booklet as well as in your

word problems free math worksheets math fun - Jul 01 2022

web these word problems worksheets will produce addition multiplication subtraction and division problems using clear key phrases to give the student a clue as to which type

math connects concepts skills and problem solving course 1 - Jul 13 2023

web math connects concepts skills and problem solving course 1 click an item at the left to access links activities and more once your teacher has registered for the online

results for math problem solving key words tpt - Dec 26 2021

web math connects word problem answer key unveiling the magic of words a review of math connects word problem answer key in a world defined by information and

[math connects concepts skills and problems solving course 2](#) - Jan 07 2023

web math connects course 2 common core grade 7 workbook answers help online grade 7 title math connects course 2 common core publisher glencoe mcgraw hill

word problems calculator symbolab - Aug 02 2022

web word problems in these worksheets would definitely make your children to become independent and creative thinkers the ability to use words and math together is

algebraic word problems lesson article khan academy - Feb 25 2022

web nov 12 2020 math connects course 1 word problem practice workbook answer key showing top 8 worksheets in the category answers math connects course 1 some

study guide and intervention and practice workbook mr hayden - Mar 09 2023

web title math connects concepts skills and problem solving course 1 publisher glencoe mcgraw hill grade 6 isbn 78740428 isbn 13 9780078740428

math connects word problem answer key book dev rcm org - Nov 24 2021

web math connects word problem answer key is one of the best book in our library for free trial we provide copy of math connects word problem answer key in digital format

math connects word problem answer key full pdf wiki lwn - Oct 24 2021

download math connects course 1 word problem practice - Jan 27 2022

web teaching with heart matters this is a set of 4 math posters with key words students can use to aid them in problem solving the resource includes 4 posters multiplication

answers math connects course 1 teacher worksheets - Oct 04 2022

web displaying 8 worksheets for answer key math connects worksheets are word problem practice workbook math connects course 1 answers glencoe math work

word problem practice workbook glencoe mheducation com - Sep 15 2023

web word problem practice workbook for glencoe math connects course 1 the answers to these worksheets are available at the end of each chapter resource masters booklet

math connects course 1 common core answers resources - Aug 14 2023

web use the table below to find videos mobile apps worksheets and lessons that supplement math connects course 1 common core math connects course 1 common core

dynamically created word problems math worksheets - May 31 2022

web may 29 2023 online library math connects course 1 word problem practice workbook answer key pdf free copy math connects course 1 student edition new connect

math connects course 2 common core answers resources - Dec 06 2022

web showing 8 worksheets for math connects course 1 worksheets are word problem practice workbook reteach and skills practice parent and student study

word problem practice workbook mcgraw hill education - Jun 12 2023

web resource masters for glencoe math connects course 3 the answers to these worksheets are available at the end of each chapter resource masters booklet as well

online library math connects course 1 word problem practice - Apr 29 2022

web feb 29 2008 amazon com math connects concepts skills and problems solving course 1 word problem practice workbook math applic conn crse

math connects course 1 worksheets k12 workbook - Nov 05 2022

web answers math connects course 1 worksheets there are 8 printable worksheets for this topic worksheets are word

problem practice workbook parent and

math connects concepts skills and problem solving course 1 - Feb 08 2023

web dec 10 2020 math connects concepts skills and problems solving course 2 word problem practice workbook mcgraw hill

free download borrow and streaming

answer key math connects worksheets kiddy math - Sep 03 2022

web an age problem is a type of word problem in math that involves calculating the age of one or more people at a specific point in time these problems often use phrases such as x