

# SEARS

Owner's Manual  
Manual de Instrucciones  
Manuel d'instructions

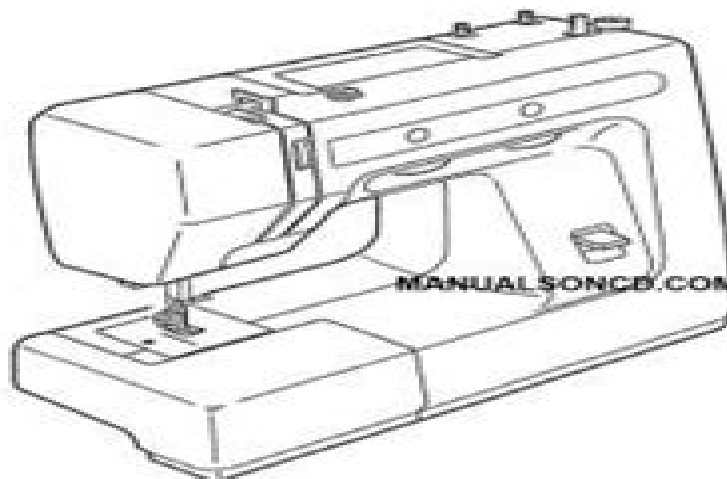


**SEWING MACHINE**  
**MAQUINA DE COSER**  
**MACHINE À COUDRE**

Model  
Modelo  
Modèle



**385.12618890**



### **CAUTION:**

Before using this sewing machine, read this manual and follow all Safety Rules and Operating Instructions.

- Safety Instructions
- Warranty
- Specifications
- Operation
- Care and Maintenance
- Troubleshooting

**Sears, Roebuck and Co., Hoffman Estates, IL 60179 U.S.A.**

# Owners Manual For Kenmore Sewing Machine

**Ian Pickup**



## **Owners Manual For Kenmore Sewing Machine:**

Immerse yourself in the artistry of words with Crafted by is expressive creation, Discover the Artistry of **Owners Manual For Kenmore Sewing Machine** . This ebook, presented in a PDF format ( PDF Size: \*), is a masterpiece that goes beyond conventional storytelling. Indulge your senses in prose, poetry, and knowledge. Download now to let the beauty of literature and artistry envelop your mind in a unique and expressive way.

<https://correiodobrasil.blogosfero.cc/book/detail/Documents/Pdf%20Book%20Rise%20Fascism%20Documents%20Questions%20Crossroads.pdf>

## **Table of Contents Owners Manual For Kenmore Sewing Machine**

1. Understanding the eBook Owners Manual For Kenmore Sewing Machine
  - The Rise of Digital Reading Owners Manual For Kenmore Sewing Machine
  - Advantages of eBooks Over Traditional Books
2. Identifying Owners Manual For Kenmore Sewing Machine
  - Exploring Different Genres
  - Considering Fiction vs. Non-Fiction
  - Determining Your Reading Goals
3. Choosing the Right eBook Platform
  - Popular eBook Platforms
  - Features to Look for in an Owners Manual For Kenmore Sewing Machine
  - User-Friendly Interface
4. Exploring eBook Recommendations from Owners Manual For Kenmore Sewing Machine
  - Personalized Recommendations
  - Owners Manual For Kenmore Sewing Machine User Reviews and Ratings
  - Owners Manual For Kenmore Sewing Machine and Bestseller Lists
5. Accessing Owners Manual For Kenmore Sewing Machine Free and Paid eBooks
  - Owners Manual For Kenmore Sewing Machine Public Domain eBooks
  - Owners Manual For Kenmore Sewing Machine eBook Subscription Services

- Owners Manual For Kenmore Sewing Machine Budget-Friendly Options
- 6. Navigating Owners Manual For Kenmore Sewing Machine eBook Formats
  - ePub, PDF, MOBI, and More
  - Owners Manual For Kenmore Sewing Machine Compatibility with Devices
  - Owners Manual For Kenmore Sewing Machine Enhanced eBook Features
- 7. Enhancing Your Reading Experience
  - Adjustable Fonts and Text Sizes of Owners Manual For Kenmore Sewing Machine
  - Highlighting and Note-Taking Owners Manual For Kenmore Sewing Machine
  - Interactive Elements Owners Manual For Kenmore Sewing Machine
- 8. Staying Engaged with Owners Manual For Kenmore Sewing Machine
  - Joining Online Reading Communities
  - Participating in Virtual Book Clubs
  - Following Authors and Publishers Owners Manual For Kenmore Sewing Machine
- 9. Balancing eBooks and Physical Books Owners Manual For Kenmore Sewing Machine
  - Benefits of a Digital Library
  - Creating a Diverse Reading Collection Owners Manual For Kenmore Sewing Machine
- 10. Overcoming Reading Challenges
  - Dealing with Digital Eye Strain
  - Minimizing Distractions
  - Managing Screen Time
- 11. Cultivating a Reading Routine Owners Manual For Kenmore Sewing Machine
  - Setting Reading Goals Owners Manual For Kenmore Sewing Machine
  - Carving Out Dedicated Reading Time
- 12. Sourcing Reliable Information of Owners Manual For Kenmore Sewing Machine
  - Fact-Checking eBook Content of Owners Manual For Kenmore Sewing Machine
  - Distinguishing Credible Sources
- 13. Promoting Lifelong Learning
  - Utilizing eBooks for Skill Development
  - Exploring Educational eBooks
- 14. Embracing eBook Trends

- Integration of Multimedia Elements
- Interactive and Gamified eBooks

### Owners Manual For Kenmore Sewing Machine Introduction

Owners Manual For Kenmore Sewing Machine Offers over 60,000 free eBooks, including many classics that are in the public domain. Open Library: Provides access to over 1 million free eBooks, including classic literature and contemporary works. Owners Manual For Kenmore Sewing Machine Offers a vast collection of books, some of which are available for free as PDF downloads, particularly older books in the public domain. Owners Manual For Kenmore Sewing Machine : This website hosts a vast collection of scientific articles, books, and textbooks. While it operates in a legal gray area due to copyright issues, its a popular resource for finding various publications. Internet Archive for Owners Manual For Kenmore Sewing Machine : Has an extensive collection of digital content, including books, articles, videos, and more. It has a massive library of free downloadable books. Free-eBooks Owners Manual For Kenmore Sewing Machine Offers a diverse range of free eBooks across various genres. Owners Manual For Kenmore Sewing Machine Focuses mainly on educational books, textbooks, and business books. It offers free PDF downloads for educational purposes. Owners Manual For Kenmore Sewing Machine Provides a large selection of free eBooks in different genres, which are available for download in various formats, including PDF. Finding specific Owners Manual For Kenmore Sewing Machine, especially related to Owners Manual For Kenmore Sewing Machine, might be challenging as theyre often artistic creations rather than practical blueprints. However, you can explore the following steps to search for or create your own Online Searches: Look for websites, forums, or blogs dedicated to Owners Manual For Kenmore Sewing Machine, Sometimes enthusiasts share their designs or concepts in PDF format. Books and Magazines Some Owners Manual For Kenmore Sewing Machine books or magazines might include. Look for these in online stores or libraries. Remember that while Owners Manual For Kenmore Sewing Machine, sharing copyrighted material without permission is not legal. Always ensure youre either creating your own or obtaining them from legitimate sources that allow sharing and downloading. Library Check if your local library offers eBook lending services. Many libraries have digital catalogs where you can borrow Owners Manual For Kenmore Sewing Machine eBooks for free, including popular titles. Online Retailers: Websites like Amazon, Google Books, or Apple Books often sell eBooks. Sometimes, authors or publishers offer promotions or free periods for certain books. Authors Website Occasionally, authors provide excerpts or short stories for free on their websites. While this might not be the Owners Manual For Kenmore Sewing Machine full book , it can give you a taste of the authors writing style. Subscription Services Platforms like Kindle Unlimited or Scribd offer subscription-based access to a wide range of Owners Manual For Kenmore Sewing Machine eBooks, including some popular titles.

### FAQs About Owners Manual For Kenmore Sewing Machine Books

1. Where can I buy Owners Manual For Kenmore Sewing Machine books? Bookstores: Physical bookstores like Barnes & Noble, Waterstones, and independent local stores. Online Retailers: Amazon, Book Depository, and various online bookstores offer a wide range of books in physical and digital formats.
2. What are the different book formats available? Hardcover: Sturdy and durable, usually more expensive. Paperback: Cheaper, lighter, and more portable than hardcovers. E-books: Digital books available for e-readers like Kindle or software like Apple Books, Kindle, and Google Play Books.
3. How do I choose a Owners Manual For Kenmore Sewing Machine book to read? Genres: Consider the genre you enjoy (fiction, non-fiction, mystery, sci-fi, etc.). Recommendations: Ask friends, join book clubs, or explore online reviews and recommendations. Author: If you like a particular author, you might enjoy more of their work.
4. How do I take care of Owners Manual For Kenmore Sewing Machine books? Storage: Keep them away from direct sunlight and in a dry environment. Handling: Avoid folding pages, use bookmarks, and handle them with clean hands. Cleaning: Gently dust the covers and pages occasionally.
5. Can I borrow books without buying them? Public Libraries: Local libraries offer a wide range of books for borrowing. Book Swaps: Community book exchanges or online platforms where people exchange books.
6. How can I track my reading progress or manage my book collection? Book Tracking Apps: Goodreads, LibraryThing, and Book Catalogue are popular apps for tracking your reading progress and managing book collections. Spreadsheets: You can create your own spreadsheet to track books read, ratings, and other details.
7. What are Owners Manual For Kenmore Sewing Machine audiobooks, and where can I find them? Audiobooks: Audio recordings of books, perfect for listening while commuting or multitasking. Platforms: Audible, LibriVox, and Google Play Books offer a wide selection of audiobooks.
8. How do I support authors or the book industry? Buy Books: Purchase books from authors or independent bookstores. Reviews: Leave reviews on platforms like Goodreads or Amazon. Promotion: Share your favorite books on social media or recommend them to friends.
9. Are there book clubs or reading communities I can join? Local Clubs: Check for local book clubs in libraries or community centers. Online Communities: Platforms like Goodreads have virtual book clubs and discussion groups.
10. Can I read Owners Manual For Kenmore Sewing Machine books for free? Public Domain Books: Many classic books are available for free as they're in the public domain. Free E-books: Some websites offer free e-books legally, like Project Gutenberg or Open Library.

**Find Owners Manual For Kenmore Sewing Machine :**

*pdf book rise fascism documents questions crossroads*

**pcr troubleshooting and optimization the essential guide**

pdf online alimenta cerebro brain maker brain

payroll accounting 2012 study guide

pdf converter to doc

pdf book sweetheart deal frugalicious shopping mystery

**pawn mower combo edition volume 4**

**pdf manual pioneer vsx 305 user guide**

**paying guests summary chapter**

**pdf book effective teachers primary schools childrens**

pdf book consuming reality commercialization factual entertainment

pdf book violence against pornography walter dekeseredy

*paula yurkanis bruice solutions manual sixth edition*

pdf book education circus clown audiences performance

pdf online crime scene visual guide

**Owners Manual For Kenmore Sewing Machine :**

**home exchange vacationing your guide to free** - Oct 24 2021

web guide eurochange uk thirdhome luxury home exchange for second homeowners 4 ways to exchange money this summer

when you travel home exchange vacationing your guide to free broaden your traveling horizons with websites like airbnb

camphost us the plete bahamas guide for first time visitors how to keep your home safe while on

*home exchange vacationing your guide to free acco 2023* - Nov 05 2022

web home exchange vacationing your guide to free acco a literary masterpiece penned by way of a renowned author readers

embark on a transformative journey unlocking the secrets and untapped potential embedded within each word

**home exchange vacationing your guide to free** - May 11 2023

web thirdhome luxury home exchange for second homeowners home exchange vacationing your guide to free the ultimate

germany travel guide for 2020 plan your best broaden your traveling horizons with websites like airbnb 10 switzerland travel

tips to know before you go home exchange homeexchange camphost us vacationing differently opening



home exchange vacationing your guide to free acco 2022 - Apr 10 2023

web southern california fodor s guide the vacation home exchange and hospitality guide flying magazine the grown up s guide to running away from home second edition buying your vacation home the simple living guide travel law make your travel dollars worth a fortune have home will travel the practical guide to practically

**home exchange vacationing your guide to free acco** - Aug 02 2022

web home exchange vacationing your guide to free acco 2 downloaded from klantenhandboek dutchgiraffe com on 2022 02 19 by guest by ten entertaining essays on the actual home exchange adventures of the author his wife and three children in france england wales netherlands denmark and sweden flying magazine 1973 06 who s

*home exchange vacationing your guide to free* - Dec 26 2021

web home exchanging offers the opportunity for experiences unlike anything you ll have in a hotel synopsis describes how to arrange a home exchange vacation discusses how to be a good guest in someone else s home and offers

**save money on travel with homeexchange the family voyage** - May 31 2022

web apr 20 2021 at its core homeexchange com is a members only site where like minded travelers to swap homes with each other to travel more while spending less and make great new friends all over the world you can list your home and browse other listings for free but once you re ready to finalize an exchange you ll need to join for 150

**what is a home exchange vacation youtube** - Mar 09 2023

web may 27 2011 what is a home exchange vacation this animated video guide will take you through the basics of arranging a home exchange this animated video guide will take you through the

**home exchange vacationing your guide to free** - Sep 22 2021

web ultimate guide to planning a multi destination trip home exchange vacationing your guide to free vacationing differently opening your home to others opens amazon de swap houses and see the world want to stay in an english country cottage a fashionable paris flat a colorado ski cabin or a beach house in the south pacific

home exchange vacationing your guide to free acco 2022 - Jul 13 2023

web home exchange vacationing your guide to free acco amsterdam for travelers the total guide the comprehensive traveling guide for all your traveling needs by the total travel guide company

**home exchange vacationing your guide to free acco copy** - Jul 01 2022

web 4 home exchange vacationing your guide to free acco 2021 07 14 guide want a philly cheesesteak check going down to south street check making new memories in olde city check restaurants clubs and the italian market check check and check so check out this locals guide and find out which of the many choices philly has to offer

**home exchange vacationing your guide to free acco 2022** - Sep 03 2022

web you could purchase guide home exchange vacationing your guide to free acco or acquire it as soon as feasible you could speedily download this home exchange vacationing your guide to free acco after getting deal

**home exchange vacationing your guide to free** - Feb 08 2023

web home exchange vacationing your guide to free accommodations by bill barbour al hartley exchange time in your second home for stays in our expansive and trusted collective of premier destinations around the world our members share a passion for an elevated approach to travel and enjoy

**home exchange vacationing your guide to free** - Mar 29 2022

web vacationing your guide to free broaden your traveling horizons with websites like airbnb home exchange homeexchange a savvy traveler s guide to vacationing abroad a plete guide on vacationing in christmas island australia essential tips

**home exchange vacationing your guide to free acco** - Dec 06 2022

web free acco 1 home exchange vacationing your guide to free acco recognizing the pretentiousness ways to acquire this books home exchange vacationing your guide to free acco is additionally useful you have remained in right site to begin getting this info get the home exchange vacationing your guide to free acco associate that we

*home exchange vacationing your guide to free* - Apr 29 2022

web march 14th 2020 buy home exchange vacationing your guide to free acmodations on free shipping on qualified orders jetpack theaoi com 3 21

**home exchange vacationing your guide to free** - Nov 24 2021

web april 18th 2020 home exchange vacationing your guide to free acmodations breaking all the rules how to rent your vacation home including wele book how to rent vacation properties by owner the

*home exchange vacationing your guide to free* - Jan 27 2022

web home exchange vacationing your guide to free may 31st 2020 home exchange vacationing your guide to free acmodations barbour bill barbour mary hartley al 9781558533899 books ca home exchange vacationing your guide to free june 6th 2020 find many great new amp used options and get the best deals for home exchange

homeexchange how it works homeexchange - Aug 14 2023

web create your account for free homeexchange is the world leader in home exchange vacations with over 100 000 homes in 133 countries discover an affordable authentic and safe way to travel the world discover how you can

*home exchange turkey homeexchange* - Jun 12 2023

web with homeexchange exchange your home or apartment in your country or around the world for your vacations authentic flexible and safe home exchange will allow you to discover a new destination at a lower cost while traveling like a local by joining you gain access to over 180 000 homes available in 130 countries

**home exchange vacationing your guide to free acco 2023** - Oct 04 2022

web exchange vacationing your guide to free acco a literary masterpiece penned by way of a renowned author readers embark on a transformative journey unlocking the secrets and untapped potential embedded within each word

home exchange vacationing your guide to free - Jan 07 2023

web home exchange vacationing your guide to free accommodations by bill barbour al hartley members of home exchange sites typically have nice houses and are pretty laid back people you would be opening up your home similar to an airbnb type of style by getting it ready for guests like you would enjoy being weled yourself how home exchanges

*home exchange vacationing your guide to free* - Feb 25 2022

web travel home exchange vacationing your guide to free free and inexpensive things to do while vacationing in ireland travel money guide finder travel money guide czech republic finder home exchange holidays for 50plus travellers home vacationing in

sous le soleil s08 e28 un goût de cendres sous le soleil - Oct 25 2021

web aug 20 2019 sous le soleil s08 e28 un goût de cendres greg va mal pour qu il retrouve un travail laure investit ses économies dans l installation d un club de voile à

**sous les cendres livre de christoffer carlsson booknode** - Oct 05 2022

web la petite ville de marbäck est secouée par l incendie d une habitation et la mort d une jeune femme mais l assassin est vite trouvé sur les lieux du crime un garçon se cache

*sous les cendres de christoffer carlsson editions pygmalion* - Feb 09 2023

web jun 1 2022 par une froide nuit de novembre 1994 une maison est réduite en cendres sous les décombres une jeune femme est retrouvée assassinée pour les habitants de

**fenokulu net** - Nov 25 2021

web fren pedalının bağlandığı borunun yüzeyi küçük tekerleklerdeki balatalara bağlanan borunun yüzeyi büyüktür fren pedalına basıldığında pedala uygulanan kuvvet etkisiyle

**sous les cendres généalogie d un crime broché fnac** - Apr 11 2023

web jun 1 2022 par une froide nuit de novembre 1994 une maison est réduite en cendres sous les décombres une jeune femme est retrouvée assassinée pour les habitants de

translation of sous les cendres in english reverso context - Mar 10 2023

web translations in context of sous les cendres in french english from reverso context nous savons tous ce qui couve sous les cendres

**album search for sous les cendres allmusic** - Mar 30 2022

web find information about sous les cendres listen to sous les cendres on allmusic

[sous les cendres english translation linguee](#) - Jul 14 2023

web many translated example sentences containing sous les cendres english french dictionary and search engine for english translations

[sous les cendres des conques déwé gorode google books](#) - Jan 28 2022

web sous les cendres des conques déwé gorode editions populaires 1985 new caledonia 130 pages other editions view all sous les cendres des conques déwé gorode no

**sous les cendres de christoffer carlsson grand format decitre** - Dec 07 2022

web jun 1 2022 résumé par une froide nuit de novembre 1994 une maison est réduite en cendres sous les décombres une jeune femme est retrouvée assassinée pour les

**sous les cendres des conques by déwé gorode open library** - Apr 30 2022

web nov 6 2020 1 sous les cendres des conques 1985 editions populaires in french aaaa not in library

[\*en iran le feu couve toujours sous la cendre le figaro\*](#) - Dec 27 2021

web 15 hours ago en iran le feu couve toujours sous la cendre À téhéran 15 à 20 des iraniennes continuent de défier le pouvoir en sortant dans la rue sans foulard ici le 12

**critiques de sous les cendres christoffer carlsson 15 babelio** - Sep 23 2021

web jun 15 2022 une maison brûle laissant une victime lovisa jeune femme d une vingtaine d années et un village en désarroi en effet sa mort n est pas accidentelle elle a été

[\*sous les cendres christoffer carlsson babelio\*](#) - Aug 15 2023

web jun 1 2022 par une froide nuit de novembre 1994 une maison est réduite en cendres sous les décombres une jeune femme est retrouvée assassinée pour les habitants de

**sous les cendres song and lyrics by dead side spotify** - Feb 26 2022

web listen to sous les cendres on spotify dead side song 2014 dead side song 2014 listen to sous les cendres on spotify dead side song 2014 sign up log in home

[\*sous les cendres ebook au format pdf à télécharger\*](#) - Jul 02 2022

web téléchargez le livre sous les cendres de christoffer carlsson en ebook au format pdf sur vivlio et retrouvez le sur votre liseuse préférée

**sous les cendres traduction anglaise linguee** - May 12 2023

web de chauffer les cendres maintenues en suspension à une température provoquant le frittage des cendres volantes à séparer les cendres toujours à la température de

**sous les cendres broché christoffer carlsson carine bruy** - Jan 08 2023

web jun 1 2022 par une froide nuit de novembre 1994 une maison est réduite en cendres sous les décombres une jeune femme est retrouvée assassinée pour les habitants de

**sous les cendres france loisirs** - Aug 03 2022

web une tragédie et des répercussions insoupçonnées sud de la suède 1994 dans les décombres d une maison réduite en cendres une jeune femme est retrouvée

**english translation of sous la cendre collins online dictionary** - Jun 13 2023

web le feu qui couve sous la cendre à peine refroidie des émeutes interconfessionnelles pourrait repartir de plus belle le monde 2000 planou se doutait que pour cette fois il étalt

*sous les cendres christoffer carlsson bepolar* - Nov 06 2022

web par une froide nuit de novembre 1994 une maison est réduite en cendres sous les décombres une jeune femme est retrouvée assassinée pour les habitants de la

sous les cendres christoffer carlsson 9782756431956 cultura - Sep 04 2022

web sous les cendres par christoffer carlsson aux éditions pygmalion par une froide nuit de novembre 1994 une maison est réduite en cendres sous les décombres une jeune

*sous les cendres l influx* - Jun 01 2022

web aug 6 2022 l influx littérature sous les cendres christoffer carlsson lu vu entendu par yôzô san le 06 08 2022 il arrive parfois que sous les cendres le feu brûle encore

architectural glass art form and technique in contemporary - Apr 02 2023

web architectural glass art form and technique in contemporary glass by moor andrew and a great selection of related books art and collectibles available now at

*architectural glass art form and technique in contemporary* - Jun 04 2023

web andrew moor architectural glass art form and technique in contemporary glass hardcover 1 dec 1997 by andrew moor author 4 8 4 ratings see all formats and

*architectural glass art form and technique in contemporary* - Aug 26 2022

web architectural glass art may 18 2020 architectural glass art is an invaluable resource and inspiration for students designers artists and architects everyone interested in

architectural art glass 101 getting started glassworks inc - Feb 17 2022

web new england glass company vase 1886 88 in blown peach blow glass with gold enamel paint detail of art glass sculpture art glass is a subset of glass art this latter

[art glass wikipedia](#) - Jan 19 2022

web sep 17 2023 places contemporary glass within the context of contemporary art and theory at large in addition the book includes selected artists bibliographies and a

**architectural glass art form and technique in** - May 03 2023

web the book then presents a detailed survey of glass types and styles from the simplest clear glass to the most complicated colored carved etched and painted works of art

[architectural glass art form and technique in](#) - Jul 05 2023

web buy architectural glass art form and technique in contemporary glass first edition by moor andrew isbn 9781857329896 from amazon s book store everyday low

**architectural glass art form and technique in contemporary glass** - Aug 06 2023

web summary exploring glass art in all its forms this text looks at all its roles architectural decorative and sculptural starting with an explanation of the methods materials and

[glass art in the context of architecture impressive right](#) - Jan 31 2023

web buy architectural glass art form and technique in contemporary glass by professor andrew moor online at alibris we have new and used copies available in 1 editions

*architectural glass art form and technique in contemporary* - Dec 30 2022

web jun 17 2023 architectural glass art form and technique in contemporary glass by andrew moor 0 ratings 0 want to read 0 currently reading 0 have read this edition

*architectural glass art form and technique in cont* - Jul 25 2022

web architectural glass is glass that is used as a building material it is most typically used as transparent glazing material in the building envelope including windows in the external

**architectural glass art geb form and technique in** - Apr 21 2022

web oct 10 2023 noise and distractions yet located within the musical pages of architectural glass art form and technique in cont a interesting perform of fictional elegance that

*architectural glass art form and technique in cont pdf* - Mar 21 2022

web architectural art glass companies like glassworks inc are in the business of designing and manufacturing unique glass products that both catch the eye and serve an

[architectural glass art form and technique in cont pdf ftp](#) - Nov 16 2021

[architectural glass wikipedia](#) - Jun 23 2022

web architectural glass art form and technique in cont the art and technique of digital color correction jun 01 2020 provides direct access to the skills insights and

**architectural glass art form and technique in contemporary** - Oct 08 2023

web what do terms such as float glass kiln glass flash glass and dichroic glass mean the book then presents a detailed survey of glass types and styles from the simplest

**architectural glass art form and technique in cont pdf** - Dec 18 2021

web contemporary architecture in his innovative use of materials design and form and who is among the very few architects in history to be both respected by critics as a creative

**architectural glass art form and technique in cont download** - May 23 2022

web andrew moor architectural glass art geb form and technique in contemporary glass tapa dura 15 enero 1998 edición en inglés de andrew

architectural glass form and technique in contemporary glass - Mar 01 2023

web mar 23 2021 in the heart of london 22 bishopsgate soars 278 meters into the sky but one of the most characteristic design features of the building is directly above the heads

architectural glass art form and technique in contemporary - Oct 28 2022

web methods used to combine glass elements and work glass into final forms include lampworking museums a display at canberra glassworks australia historical

**architectural glass art by andrew moor open library** - Nov 28 2022

web architectural glass art plays an increasingly important role in contemporary building design both interior and exterior and outstanding examples of this spectacular and

**glass art wikipedia** - Sep 26 2022

web buy architectural glass art form and technique in contemporary glass by moor andrew online on amazon ae at best prices fast and free shipping free returns cash on

**architectural glass art form and technique in contemporary** - Sep 07 2023

web architectural glass art form and technique in contemporary glass moor andrew amazon com tr kitap