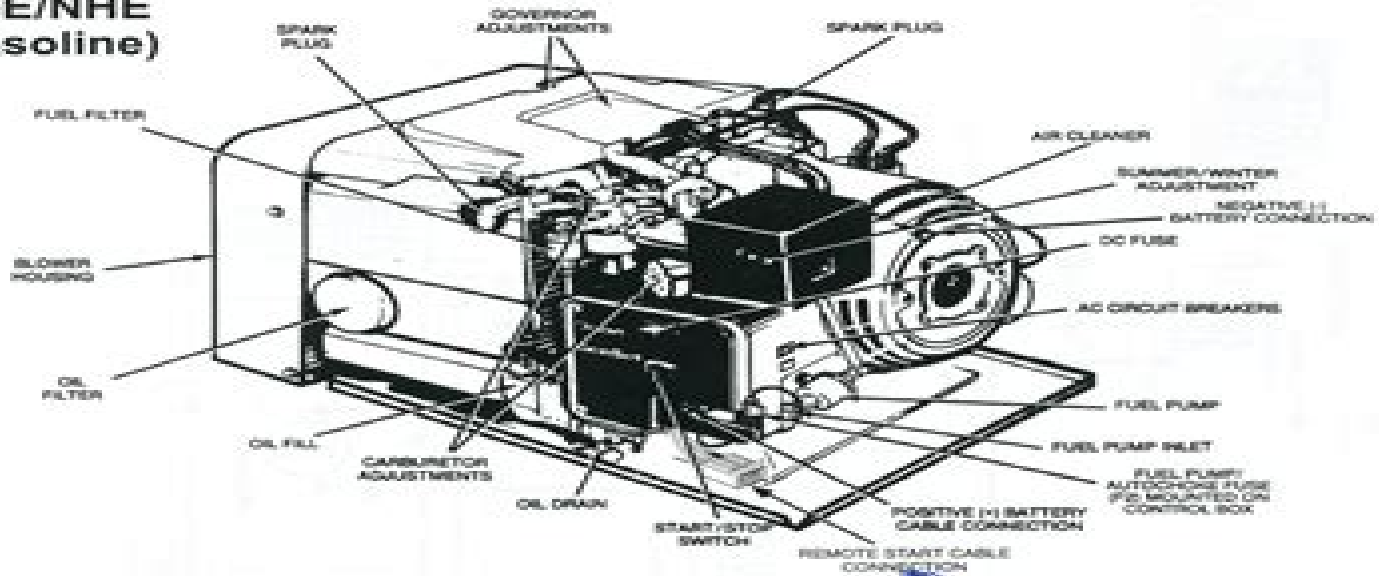


BGE/NHE (Gasoline)



BGE/NHE (LPG)

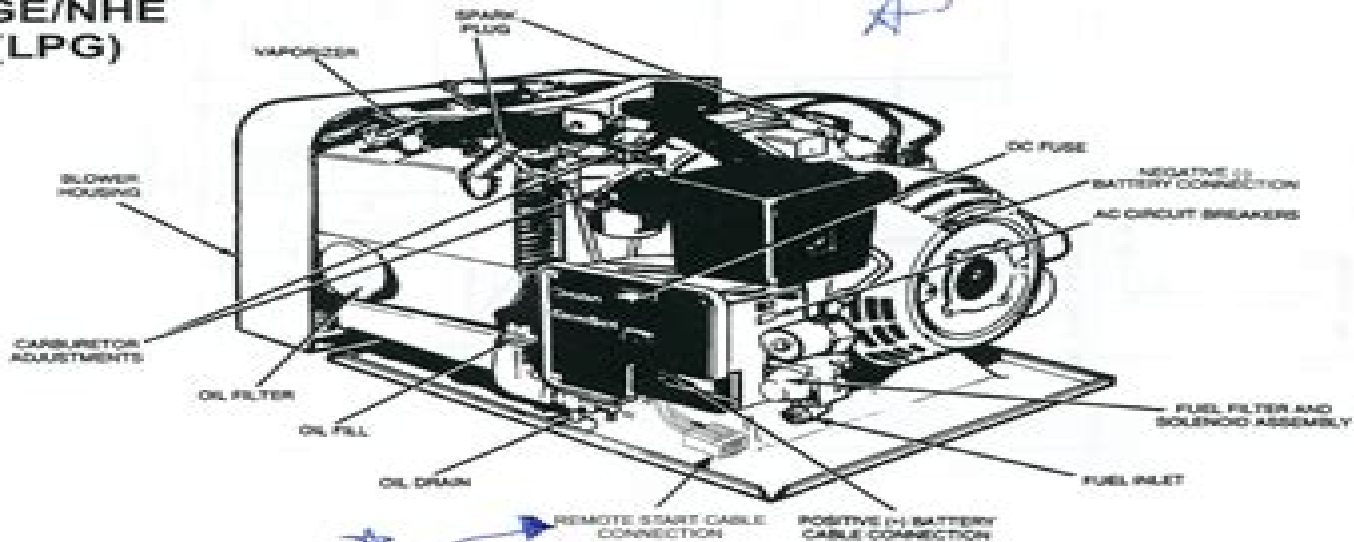


FIGURE 1-1. TYPICAL EMERALD PLUS GENERATOR SETS

Onan Hgjab Generator Manual

TD Snyder



Onan Hgjab Generator Manual:

Embark on a transformative journey with is captivating work, **Onan Hgjab Generator Manual** . This enlightening ebook, available for download in a convenient PDF format Download in PDF: , invites you to explore a world of boundless knowledge. Unleash your intellectual curiosity and discover the power of words as you dive into this riveting creation. Download now and elevate your reading experience to new heights .

<https://correiodobrasil.blogosfero.cc/book/book-search/default.aspx/mercedes%20w140%20engine%20wiring%20loom%20repair%20manual.pdf>

Table of Contents Onan Hgjab Generator Manual

1. Understanding the eBook Onan Hgjab Generator Manual
 - The Rise of Digital Reading Onan Hgjab Generator Manual
 - Advantages of eBooks Over Traditional Books
2. Identifying Onan Hgjab Generator Manual
 - Exploring Different Genres
 - Considering Fiction vs. Non-Fiction
 - Determining Your Reading Goals
3. Choosing the Right eBook Platform
 - Popular eBook Platforms
 - Features to Look for in an Onan Hgjab Generator Manual
 - User-Friendly Interface
4. Exploring eBook Recommendations from Onan Hgjab Generator Manual
 - Personalized Recommendations
 - Onan Hgjab Generator Manual User Reviews and Ratings
 - Onan Hgjab Generator Manual and Bestseller Lists
5. Accessing Onan Hgjab Generator Manual Free and Paid eBooks
 - Onan Hgjab Generator Manual Public Domain eBooks
 - Onan Hgjab Generator Manual eBook Subscription Services

- Onan Hgjab Generator Manual Budget-Friendly Options
- 6. Navigating Onan Hgjab Generator Manual eBook Formats
 - ePub, PDF, MOBI, and More
 - Onan Hgjab Generator Manual Compatibility with Devices
 - Onan Hgjab Generator Manual Enhanced eBook Features
- 7. Enhancing Your Reading Experience
 - Adjustable Fonts and Text Sizes of Onan Hgjab Generator Manual
 - Highlighting and Note-Taking Onan Hgjab Generator Manual
 - Interactive Elements Onan Hgjab Generator Manual
- 8. Staying Engaged with Onan Hgjab Generator Manual
 - Joining Online Reading Communities
 - Participating in Virtual Book Clubs
 - Following Authors and Publishers Onan Hgjab Generator Manual
- 9. Balancing eBooks and Physical Books Onan Hgjab Generator Manual
 - Benefits of a Digital Library
 - Creating a Diverse Reading Collection Onan Hgjab Generator Manual
- 10. Overcoming Reading Challenges
 - Dealing with Digital Eye Strain
 - Minimizing Distractions
 - Managing Screen Time
- 11. Cultivating a Reading Routine Onan Hgjab Generator Manual
 - Setting Reading Goals Onan Hgjab Generator Manual
 - Carving Out Dedicated Reading Time
- 12. Sourcing Reliable Information of Onan Hgjab Generator Manual
 - Fact-Checking eBook Content of Onan Hgjab Generator Manual
 - Distinguishing Credible Sources
- 13. Promoting Lifelong Learning
 - Utilizing eBooks for Skill Development
 - Exploring Educational eBooks
- 14. Embracing eBook Trends

- Integration of Multimedia Elements
- Interactive and Gamified eBooks

Onan Hgjab Generator Manual Introduction

In the digital age, access to information has become easier than ever before. The ability to download Onan Hgjab Generator Manual has revolutionized the way we consume written content. Whether you are a student looking for course material, an avid reader searching for your next favorite book, or a professional seeking research papers, the option to download Onan Hgjab Generator Manual has opened up a world of possibilities. Downloading Onan Hgjab Generator Manual provides numerous advantages over physical copies of books and documents. Firstly, it is incredibly convenient. Gone are the days of carrying around heavy textbooks or bulky folders filled with papers. With the click of a button, you can gain immediate access to valuable resources on any device. This convenience allows for efficient studying, researching, and reading on the go. Moreover, the cost-effective nature of downloading Onan Hgjab Generator Manual has democratized knowledge. Traditional books and academic journals can be expensive, making it difficult for individuals with limited financial resources to access information. By offering free PDF downloads, publishers and authors are enabling a wider audience to benefit from their work. This inclusivity promotes equal opportunities for learning and personal growth. There are numerous websites and platforms where individuals can download Onan Hgjab Generator Manual. These websites range from academic databases offering research papers and journals to online libraries with an expansive collection of books from various genres. Many authors and publishers also upload their work to specific websites, granting readers access to their content without any charge. These platforms not only provide access to existing literature but also serve as an excellent platform for undiscovered authors to share their work with the world. However, it is essential to be cautious while downloading Onan Hgjab Generator Manual. Some websites may offer pirated or illegally obtained copies of copyrighted material. Engaging in such activities not only violates copyright laws but also undermines the efforts of authors, publishers, and researchers. To ensure ethical downloading, it is advisable to utilize reputable websites that prioritize the legal distribution of content. When downloading Onan Hgjab Generator Manual, users should also consider the potential security risks associated with online platforms. Malicious actors may exploit vulnerabilities in unprotected websites to distribute malware or steal personal information. To protect themselves, individuals should ensure their devices have reliable antivirus software installed and validate the legitimacy of the websites they are downloading from. In conclusion, the ability to download Onan Hgjab Generator Manual has transformed the way we access information. With the convenience, cost-effectiveness, and accessibility it offers, free PDF downloads have become a popular choice for students, researchers, and book lovers worldwide. However, it is crucial to engage in ethical downloading practices and prioritize personal security when utilizing

online platforms. By doing so, individuals can make the most of the vast array of free PDF resources available and embark on a journey of continuous learning and intellectual growth.

FAQs About Onan Hgjab Generator Manual Books

How do I know which eBook platform is the best for me? Finding the best eBook platform depends on your reading preferences and device compatibility. Research different platforms, read user reviews, and explore their features before making a choice. Are free eBooks of good quality? Yes, many reputable platforms offer high-quality free eBooks, including classics and public domain works. However, make sure to verify the source to ensure the eBook credibility. Can I read eBooks without an eReader? Absolutely! Most eBook platforms offer webbased readers or mobile apps that allow you to read eBooks on your computer, tablet, or smartphone. How do I avoid digital eye strain while reading eBooks? To prevent digital eye strain, take regular breaks, adjust the font size and background color, and ensure proper lighting while reading eBooks. What the advantage of interactive eBooks? Interactive eBooks incorporate multimedia elements, quizzes, and activities, enhancing the reader engagement and providing a more immersive learning experience. Onan Hgjab Generator Manual is one of the best book in our library for free trial. We provide copy of Onan Hgjab Generator Manual in digital format, so the resources that you find are reliable. There are also many Ebooks of related with Onan Hgjab Generator Manual. Where to download Onan Hgjab Generator Manual online for free? Are you looking for Onan Hgjab Generator Manual PDF? This is definitely going to save you time and cash in something you should think about. If you trying to find then search around for online. Without a doubt there are numerous these available and many of them have the freedom. However without doubt you receive whatever you purchase. An alternate way to get ideas is always to check another Onan Hgjab Generator Manual. This method for see exactly what may be included and adopt these ideas to your book. This site will almost certainly help you save time and effort, money and stress. If you are looking for free books then you really should consider finding to assist you try this. Several of Onan Hgjab Generator Manual are for sale to free while some are payable. If you arent sure if the books you would like to download works with for usage along with your computer, it is possible to download free trials. The free guides make it easy for someone to free access online library for download books to your device. You can get free download on free trial for lots of books categories. Our library is the biggest of these that have literally hundreds of thousands of different products categories represented. You will also see that there are specific sites catered to different product types or categories, brands or niches related with Onan Hgjab Generator Manual. So depending on what exactly you are searching, you will be able to choose e books to suit your own need. Need to access completely for Campbell Biology Seventh Edition book? Access Ebook without any digging. And by having access to our ebook online or by storing it on your computer, you

have convenient answers with Onan Hgjab Generator Manual To get started finding Onan Hgjab Generator Manual, you are right to find our website which has a comprehensive collection of books online. Our library is the biggest of these that have literally hundreds of thousands of different products represented. You will also see that there are specific sites catered to different categories or niches related with Onan Hgjab Generator Manual So depending on what exactly you are searching, you will be able to choose ebook to suit your own need. Thank you for reading Onan Hgjab Generator Manual. Maybe you have knowledge that, people have search numerous times for their favorite readings like this Onan Hgjab Generator Manual, but end up in harmful downloads. Rather than reading a good book with a cup of coffee in the afternoon, instead they juggled with some harmful bugs inside their laptop. Onan Hgjab Generator Manual is available in our book collection an online access to it is set as public so you can download it instantly. Our digital library spans in multiple locations, allowing you to get the most less latency time to download any of our books like this one. Merely said, Onan Hgjab Generator Manual is universally compatible with any devices to read.

Find Onan Hgjab Generator Manual :

~~mercedes w140 engine wiring loom repair manual~~

mercury 4 stroke manual

~~mercury 50 2 stroke repair manual~~

mercer ced job evaluation manual

mercury 85 hp outboard repair manual

mercury 135 v6 manual

~~mercruiser 888 shop manual~~

~~merchandising manual~~

mercedes slk 230 kompressor repair manual

~~mercruiser 8 marine engines mercury marine 4 cylinder~~

mercury force 5hp manual

merchant of venice class 9 guide

mercury 8hp outboard manual

mercury 115 hp motor service manual

~~mercedes vito 108 cdi manual~~

Onan Hgjab Generator Manual :

rock therapy rimedi sotto forma di canzone per og - Sep 05 2022

web rock therapy rimedi sotto forma di canzone per og your brain on music alan harvey tedxperth tip 8 rigorous honesty with tommy rosen how to practice emotional first aid guy winch what happens when you go gray rock a simple way to break a bad habit judson brewer my mom s cruel and unusual

therapy rocks psychotherapy counselling in singapore and usa - May 01 2022

web at therapy rocks we use the full set of tools tailored for your needs this is called integrative psychotherapy additionally we partner with you every step of the way and explain your options as we go along to collaborate on goals for counselling our sessions based on your goals and desires are an invitation for you to explore experience

rock therapy rimedi in forma di canzone per ogni malanno o - Apr 12 2023

web non solo un compendio delle tracce fondamentali del nostro rock quotidiano ma un atlante emozionale un mosaico di suoni parole e sensazioni che scaturiscono dagli ascolti

rock therapy marsilio editori - Sep 17 2023

web per marsilio ha pubblicato rock therapy rimedi in forma di canzone per ogni malanno o situazione 2017 tascabile ue 2020 e decamerock ribellioni amori eccessi dal lato oscuro della musica 2020 tascabile tempi liberi 2021

main home rock therapy blog - Mar 31 2022

web 1 677 124 44227 184 main collins street west victoria 8007 mon sat 8 00 18 00 sunday closed

rock therapy rimedi sotto forma di canzone per og pdf - Dec 08 2022

web rock therapy rimedi sotto forma di canzone per og 1 rock therapy rimedi sotto forma di canzone per og rover 414 weekly checks and chapter 1 rock therapy rimedi sotto forma di canzone per ogni malanno o situazione massimo cotto 4 5 su 5 stelle 22 formato kindle 3 99 amazon it rock bazar 2 cotto

rock therapy rimedi sotto forma di canzone per og alyson - Mar 11 2023

web find the money for rock therapy rimedi sotto forma di canzone per og and numerous book collections from fictions to scientific research in any way along with them is this rock therapy rimedi sotto forma di canzone per og that can be your partner talking heads gianfranco denes 2012 05 23 the origin development and nature

rockmedical - Jun 02 2022

web founded in singapore rockmedical develops products that add vitality to everyday living from health care nutraceuticals and pharmaceuticals we constantly find ways to innovate and make our consumers lives better we put you first creating advanced products that only uses safe responsibility sourced materials and ingredients

rock therapy rimedi sotto forma di canzone per ogni malanno o - May 13 2023

web non solo un compendio delle tracce fondamentali del nostro rock quotidiano ma un atlante emozionale un mosaico di suoni parole e sensazioni che scaturiscono dagli ascolti

ebook rock therapy rimedi sotto forma di canzone per og - Jun 14 2023

web rock therapy rimedi sotto forma di canzone per og rivista di agronomia aug 01 2021 digital resources creativity and innovative methodologies in language teaching and learning apr 16 2020 the concept of university language centres has changed in recent decades initially conceived as

rock therapy rimedi in forma di canzone per ogni malanno o situazione - Feb 10 2023

web rock therapy rimedi in forma di canzone per ogni malanno o situazione di massimo cotto autore marsilio 2017 2 libro usato disp immediata 8 90 3 90 sped aggiungi al carrello solo una copia disponibile venditore piazza del libro ebook con drm 7 99 tascabile 11 40 descrizione dettagli recensioniosci l autore

rock therapy rimedi sotto forma di canzone per og - Jul 03 2022

web may 2 2023 the rock therapy rimedi sotto forma di canzone per og link that we provide here and check out the link you could purchase guide rock therapy rimedi sotto forma di canzone per og or get it as soon as feasible you could quickly download this rock therapy rimedi sotto forma di canzone per og after getting deal so

rock therapy rimedi sotto forma di canzone per og anne - Oct 06 2022

web jan 6 2023 rock therapy rimedi sotto forma di canzone per og is additionally useful you have remained in right site to start getting this info acquire the rock therapy rimedi sotto forma di canzone per og associate that we allow here and check out the link you could buy lead rock therapy rimedi sotto forma di canzone per og or get

rock therapy rimedi sotto forma di canzone per og pdf - Aug 04 2022

web rock therapy rimedi sotto forma di canzone per og dick brave and the backbeats rock therapy drop the rock book review removing character defects a show of scrutiny critical role the mighty nein episode 2 chrisean rock breaks down crying while kai cenat reads her book on the twitch prison stream

rock therapy rimedi sotto forma di canzone per ogni malanno o - Aug 16 2023

web rock therapy rimedi sotto forma di canzone per ogni malanno o situazione ebook written by massimo cotto read this book using google play books app on your pc android ios

rock therapy rimedi sotto forma di canzone per og - Jan 09 2023

web rock therapy rimedi sotto forma di canzone per og is straightforward in our digital library an online access to it is set as public as a result you can download it instantly our digital library saves in combination countries allowing you to acquire the most less latency epoch to download any of our books taking into consideration this one

rock therapy rimedi sotto forma di canzone per ogni - Nov 07 2022

web rock e non solo musica per tutti i la musica sia classica sia rock è rilassante migros impuls rock therapy rimedi in forma di canzone per ogni malanno tutto su rock therapy massimo cotto ultimi articoli antologie musicali tracce e sentieri ebook we will rock you segreti e bugie 709 canzoni e ebook rock therapy rimedi sotto forma di canzone per

ebook rock therapy rimedi sotto forma di canzone per og - Feb 27 2022

web rock therapy rimedi sotto forma di canzone per og enciclopedia economica accomodata all intelligenza nov 27 2022 designating certain national forest system lands in the states of virginia and west virginia as wilderness areas feb 16 2022 fringe benefits e rimborsi spese nov 15 2021

rock therapy rimedi sotto forma di canzone per ogni malanno o - Oct 18 2023

web rock therapy rimedi sotto forma di canzone per ogni malanno o situazione ebook cotto massimo amazon it libri

rock therapy rimedi sotto forma di canzone per og sander - Jul 15 2023

web rock therapy rimedi sotto forma di canzone per og rock therapy rimedi sotto forma di canzone per og 3 downloaded from donate pfi org on 2022 01 06 by guest integration offers a new perspective while also maintaining the holistic integrity of each system here the book lays out how buddhist psychology s universal view and gestalt

2022 natural sciences gr 7 term 2 test teacha - Apr 04 2022

web apr 17 2023 question 1 multiple choice question 2 match the columns multiple choice question 3 solids liquid and gases properties of materials question 4 seperating

[grade 7 natural science exams worksheetcloud](#) - May 05 2022

web you re probably too busy to be able to give your child the attention they need with exam studying worksheetcloud will guide and help your child with a customised grade 7

gr 7 natural science past exam papers laerskool van dyk - Jul 19 2023

web please click on a link below to view download your selected exam paper 2020 november ns exam paper

grade 7 natural sciences past exam papers - Sep 21 2023

web past exam papers for grade 7 natural sciences past june and november exam papers memos available in both afrikaans and english caps exam papers

grade 7 natural sciences final exam 22 pages 18 - Jan 13 2023

web this final exam paper includes 22 pages first 11 pages only has questions and next 11 pages with answers students can solve the questions and then check their answers

[grade 7 natural sciences google sites](#) - Mar 15 2023

web grade 7 mid year 15 pdf view download 648k v 1 16 oct 2015 01 17 btshado herzlia com ê grade 7 science august 2014 memo docx view

grade 7 natural sciences exam papers doc scientia - Nov 11 2022

web grade 7 natural sciences summaries exam papers and memos 2023 summaries and exam papers free exam papers 2022 exam papers 2021 exam papers 2020

grade 7 natural sciences term 3 test and - Oct 30 2021

web the total price includes the item price and a buyer fee grade 7 natural sciences term 3 test out of 75 marks duration 90 minutes prepared in

grade 7 natural sciences ns september exam memo 2023 - Feb 02 2022

web grade 7 ns september paper and memo total 35 marks contents of the exam paper contains the following details question 1 multiple choice question 2 provide

natural sciences grade 7 exam question papers control - Jun 18 2023

web dec 8 2022 natural science grade 7 past exam papers and memos for revision natural science grade 7 past exam papers and memos for revision the papers are

grade 7 natural science exam papers and memos pdf twinkl - Feb 14 2023

web a grade 7 natural science exam papers and memos pdf this grade 7 natural science exam papers and memos pdf assessment is the perfect way to assess progress in

2021 grade 7 ns term 3 exemplar test pdf scribd - May 17 2023

web natural sciences grade 7 1 this question paper consists of two sections section a 20 marks section b 2 read all questions carefully before you start writing 3

grade 7 natural sciences final exam questions made - Jan 01 2022

web grade 7 natural sciences final exam 22 pages 18 questions answers question 1 includes 10 multiple choice questions question 2 includes 10 true or

past exam papers grade 7 natural sciences awsum - Aug 08 2022

web jul 23 2021 past exam papers grade 7 natural sciences 23rd jul 2021 title categories link show per page tags past exam papers potchefstroom high school for

grade 7 subject natural sciences term 2 - Apr 16 2023

web gr 7 fat natural science term 2 exam 7 8 total section b 30 marks section c matter and materials question 9 9 1 why do we use metals to

herzlia middle school google sites - Dec 12 2022

web grade 7 natural science final examination 28 november 2014 time 90 minutes there are 22 pages including the cover page answer sheet a blank page a

past examination papers natural sciences google sites - Jul 07 2022

web past examination papers subpages 5 2015 2016 grade 7 grade 8 grade 9 educational

south african agency for science and - Nov 30 2021

web 10th saasta natural science olympiad exam 2020 grades 7 9 7 34 which equation represents aerobic respiration a carbon dioxide oxygen glucose water

practise past papers siyavula - Jun 06 2022

web natural sciences grade 4 natural sciences grade 5 natural sciences grade 6 natural sciences grade 7 natural sciences grade 8 natural sciences grade 9

natural science grade 7 past tests exam question papers - Aug 20 2023

web on this page you will find grade 7 natural sciences control tests assessments and exam question papers with memos and answers in pdf for previous years the tests and

natural sciences grade 7 wced eportal - Sep 09 2022

web subject natural sciences grade 7 suanne rampou dces natural sciences science is a systematic way of looking for explanations and connecting ideas we use inquiry and

natural sciences grade 7 control tests and exam question - Oct 10 2022

web sep 15 2022 on this page you will find grade 7 natural sciences control tests assessments and exam question papers with memos and answers in pdf for previous

grade 7 natural sciences term 1 test and - Mar 03 2022

web memorandum is available good luck grade 7 natural sciences term 1 test out of 50 marks advised duration is 50 minutes topics

how to make a papel picado mexican folk art deep space - Apr 11 2023

web may 4 2021 papel picado is a traditional mexican craft that features colorful paper sheets with intricate cut out details it was made by stacking many sheets of paper and using chisels to cut the designs you can easily make your own papel

picado by layering sheets of tissues paper and using scissors

diy papel picado mexican perforated paper youtube - Jun 01 2022

web oct 1 2019 here s how to make papel picado a mexican paper craft used to decorate parties and festivities happy hispanic heritage month learn more en wikipedi

how to make papel picado design tutorial video art projects for kids - Jun 13 2023

web may 5 2023 papel picado is a traditional craft from mexico that usually involves tissue paper and lots of delicate cut paper designs the project is a wonderful way for students to learn more about mexican folk art and one of my favorite crafts

for kids too

[how to make a papel picado mexican folk art deep space](#) - Jan 28 2022

web may 4 2021 traditional mexican papel picado is a craft that features multicolored paper sheets with costly cut out particulars this is a great get choice business or a traditionally mexican papel picado is a craft that features colorful paper folded with intricate cut

[*printable papel picado letters and banners woo jr kids*](#) - Feb 09 2023

web but we ve created a beautiful free set of printable papel picado banner panels alphabet letters and numbers printable papel picado banner and letters you might also enjoy our day of the dead adult coloring pages too

[*papel picado template discover free printable templates and*](#) - May 12 2023

web papel picado templates for kids are different in many aspects from regular paper picado templates kids have a different world of their own and that must be kept in mind before designing something for them

how to make papel picado for valentine s day the artful parent - Oct 05 2022

web dec 1 2022 seasonal art for kids how to make papel picado by rachel withers december 1 2022 155 learn how to make papel picado by cutting paper designs with tissue paper for a beautiful valentine s day garland updated december 2022 have you heard of papel picado it s the mexican folk art tradition creating beautiful designs in

free printable papel picado templates mexican banner pdf - Apr 30 2022

web papel picado are colorful paper cutting decorations for mexican and south american celebrations papel picado templates allow people to easily make these ornate decorations the templates transform plain paper into festive works of art papel picado templates contain outlines of traditional designs like flowers birds skulls and more

[how to make papel picado a traditional mexican craft](#) - Jan 08 2023

web what is a papel picado papel picado is a traditional craft practiced in mexico it is essentially a mat or coaster like intricate tissue paper or plastic cutout that contains festive detailed patterns according to the aesthetic the particular occasion requires

papel picado images free download on freepik - Dec 27 2021

web find download free graphic resources for papel picado 97 000 vectors stock photos psd files free for commercial use high quality images

[*traditional mexican papel picado bunting teacher made twinkl*](#) - Nov 06 2022

web papel picado is a traditional mexican decoration featuring different colors of paper the color version of this resource features red green and white to match the colors of the mexican flag you can hang the finished bunting at the front of the classroom or on a

[make your own colorful papel picado crafts for kids](#) - Mar 30 2022

web papel picado is beautiful paper art used to decorate many different festive occasions in mexico you and your child can experiment with cutting shapes and unfolding to reveal your own

results for papel picado templates tpt - Sep 04 2022

web wondering how to make papel picado using easy templates you got it celebrate cinco de mayo with one of the most colorful and fun mexican traditions this cinco de mayo activity will be the perfect decoration to celebrate

how to make papel picado for day of the dead kids activities blog - Dec 07 2022

web sep 6 2023 papel picado is a traditional mexican folk art that involves cutting intricate patterns on colorful tissue paper here is a simple way you can make papel picado with kids of all ages as part of your dia de los muertos celebration make this colorful papel picado banner for dia de los muertos

[papel picado iii university of new mexico](#) - Jul 02 2022

web papel picado loosely translated as perforated paper is a folk art technique practiced in mexico color ful pieces of cut paper are strung to flutter in the wind during many holiday celebrations including día de los muertos christmas easter and personal ceremonies such as weddings and christenings

[free printable mini papel picado live colorful](#) - Feb 26 2022

web sep 18 2014 steps 1 since this printable is no longer available one way to recreate the idea is by tracing a drawing similar to the images above in a regular white paper using black ink for the lines 2 scan you image as many times as you want using colorful paper sheets 3 cut each piece of paper 4 make two holes on each side of each piece 4

how to make diy papel picado ohoh deco - Aug 03 2022

web sep 8 2022 print the easy papel picado template and take 3 or 4 sheets of tissue paper

[mexican papel picado teachkidsart](#) - Aug 15 2023

web oct 15 2010 mexican papel picado papel picado or cut paper is a colorful decoration found at most mexican celebrations the secret of success for making your own papel picado is to sandwich the thin tissue paper inside a folded heavier weight paper before cutting it

papel picado dltk s crafts for kids - Mar 10 2023

web dltk s crafts for kids papel cortado thanks to melissa for suggesting this project papel picado punched paper is a mexican popular art form with roots in the country s ancient cultures the aztecs used the bark of wild mulberry

papel picado templates mami talks - Jul 14 2023

web in this post you can download three papel picado templates an easy medium and advanced difficulty one the one pictured on the cover and in the step by step instructions is the easy one and adrian designed it so it s guaranteed that kids

can do it